



US00D693510S

(12) **United States Design Patent**  
**Chen**

(10) **Patent No.:** **US D693,510 S**

(45) **Date of Patent:** **\*\* Nov. 12, 2013**

(54) **LIGHT FIXTURE**

(75) Inventor: **Chi Gon Chen**, Guang Zhou (CN)

(73) Assignee: **International Development LLC**,  
Roanoke, TX (US)

(\*\*) Term: **14 Years**

(21) Appl. No.: **29/423,655**

(22) Filed: **Jun. 4, 2012**

(51) **LOC (9) Cl.** ..... **26-05**

(52) **U.S. Cl.**  
USPC ..... **D26/67**

(58) **Field of Classification Search**  
USPC ..... D26/67-71, 107, 135; D25/135;  
52/301; 362/414, 431  
See application file for complete search history.

(56) **References Cited**

**U.S. PATENT DOCUMENTS**

164,979	A *	6/1875	Davenport	.....	52/301
958,334	A *	5/1910	Stewart	.....	52/301
1,409,155	A *	3/1922	Covan	.....	52/297
1,549,428	A *	8/1925	Barrick	.....	52/295
D186,379	S *	10/1959	Ross	.....	D25/135
D239,452	S *	4/1976	Russo	.....	D25/135
D316,458	S *	4/1991	Spotts et al.	.....	D26/67
D453,583	S *	2/2002	Shimada	.....	D26/154
D460,570	S *	7/2002	Grant	.....	D25/135

6,581,335	B2 *	6/2003	Grant	.....	52/28
D509,915	S *	9/2005	Rosian	.....	D25/135
D518,190	S *	3/2006	Smith	.....	D25/135
D518,589	S *	4/2006	Harbaugh	.....	D26/68
D580,581	S *	11/2008	Grant	.....	D26/68
D604,439	S *	11/2009	Chen	.....	D26/67
7,686,485	B1 *	3/2010	Pever et al.	.....	362/431
D616,134	S *	5/2010	Grant	.....	D26/68
D624,227	S *	9/2010	Grant	.....	D26/67
D670,405	S *	11/2012	McKenzie	.....	D25/135

\* cited by examiner

*Primary Examiner* — Clare E Heflin

(74) *Attorney, Agent, or Firm* — Brian Harris

(57) **CLAIM**

The ornamental design for a light fixture, as shown and described.

**DESCRIPTION**

FIG. 1 is a perspective view of a light fixture showing my new design;

FIG. 2 is a front view thereof, the right side, left side, and back views being identical thereto;

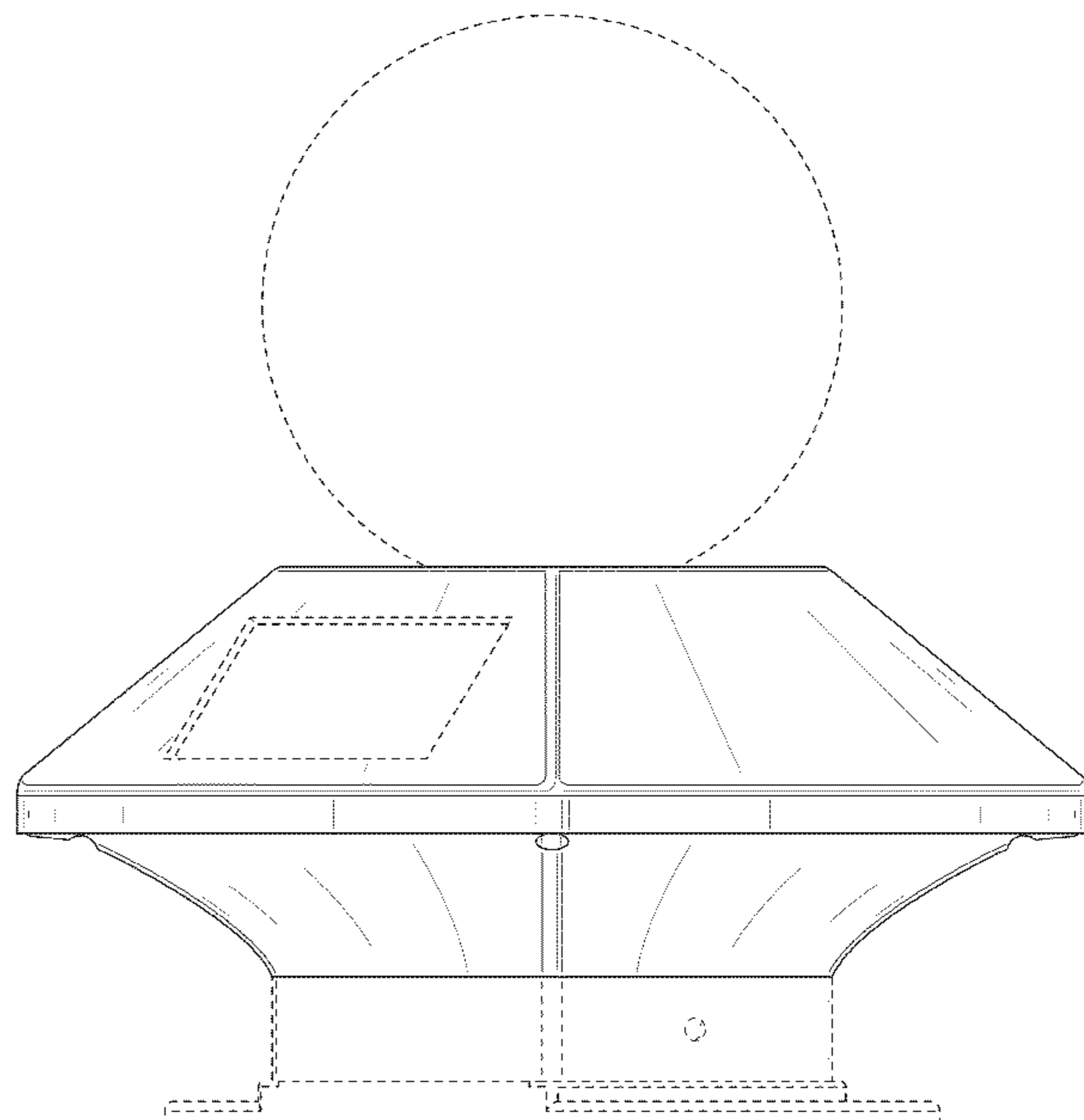
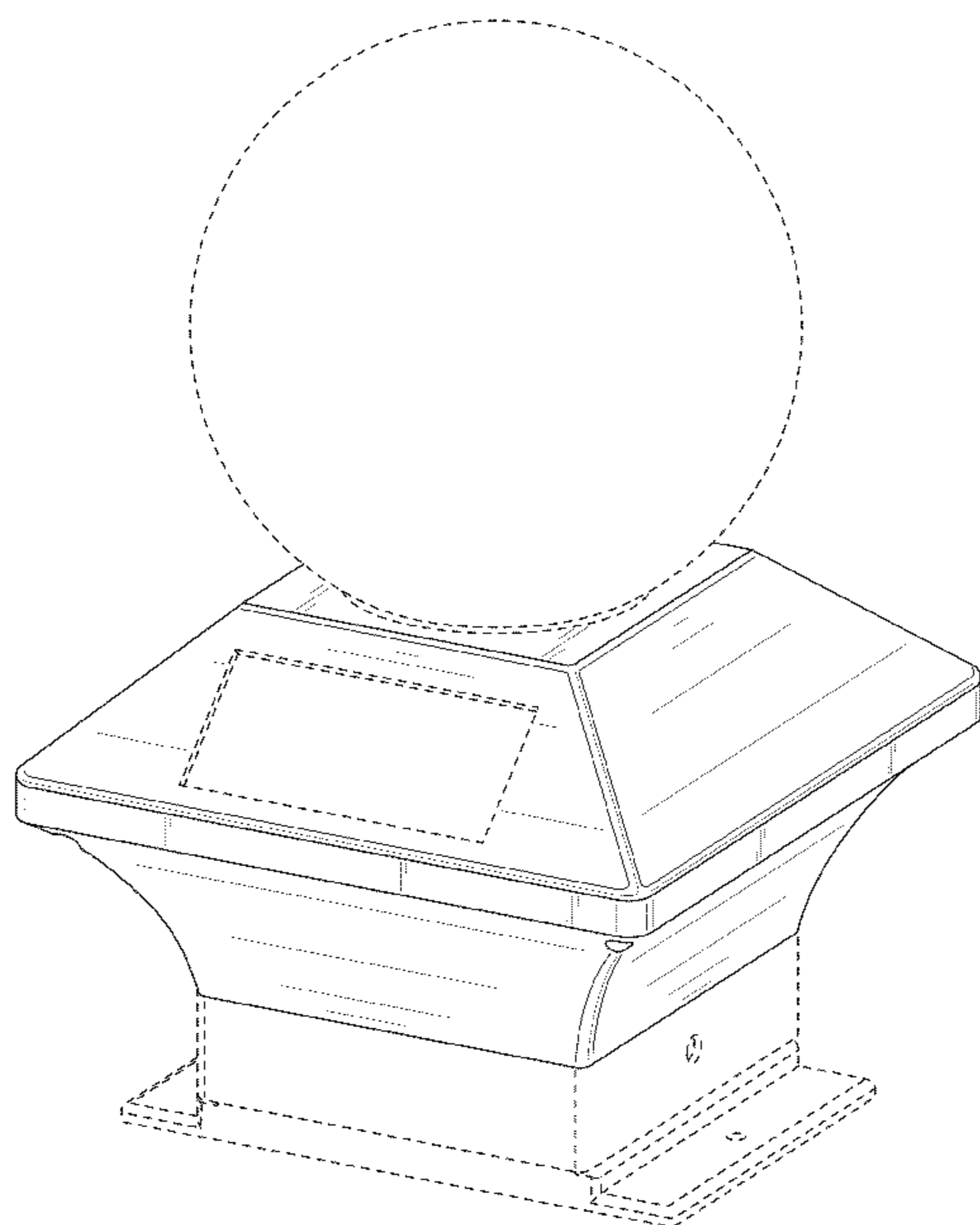
FIG. 3 is a side view thereof rotated about its central vertical axis approximately 45 degrees from the position shown in FIG. 2;

FIG. 4 is a top view thereof; and,

FIG. 5 is a bottom view thereof.

The broken lines are shown in the views for illustrative purposes only and form no part of the claimed design.

**1 Claim, 5 Drawing Sheets**



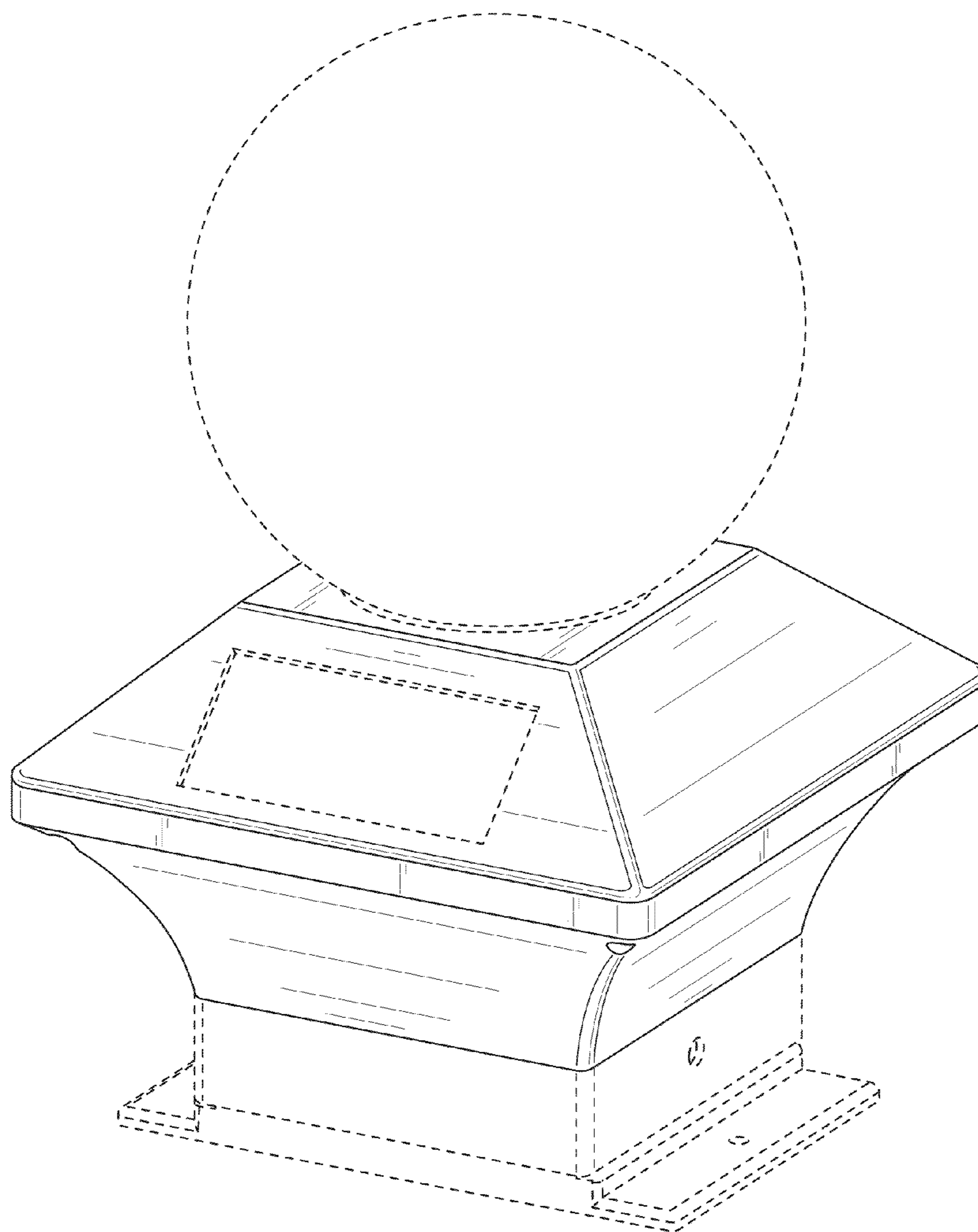


FIG. 1

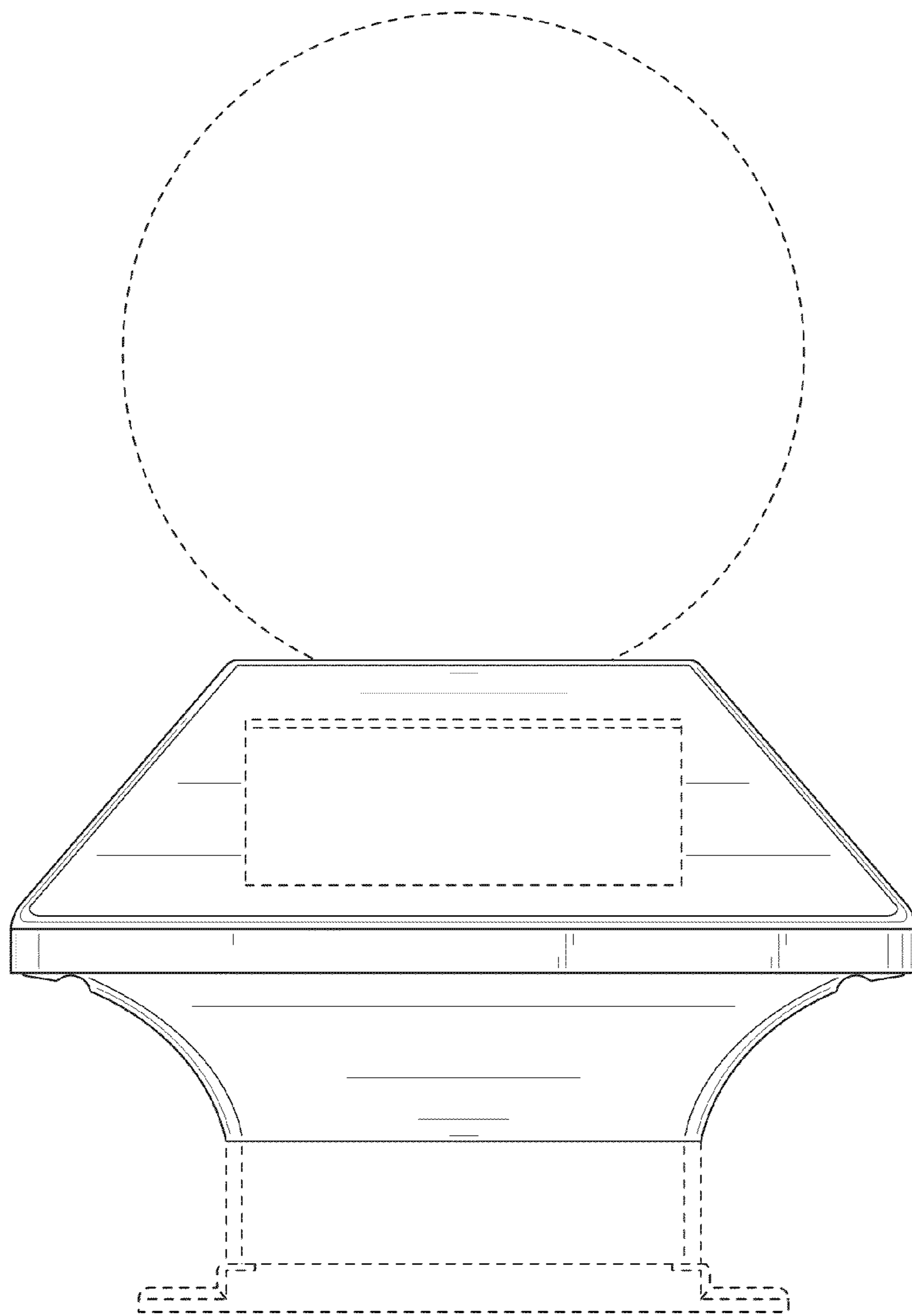


FIG. 2

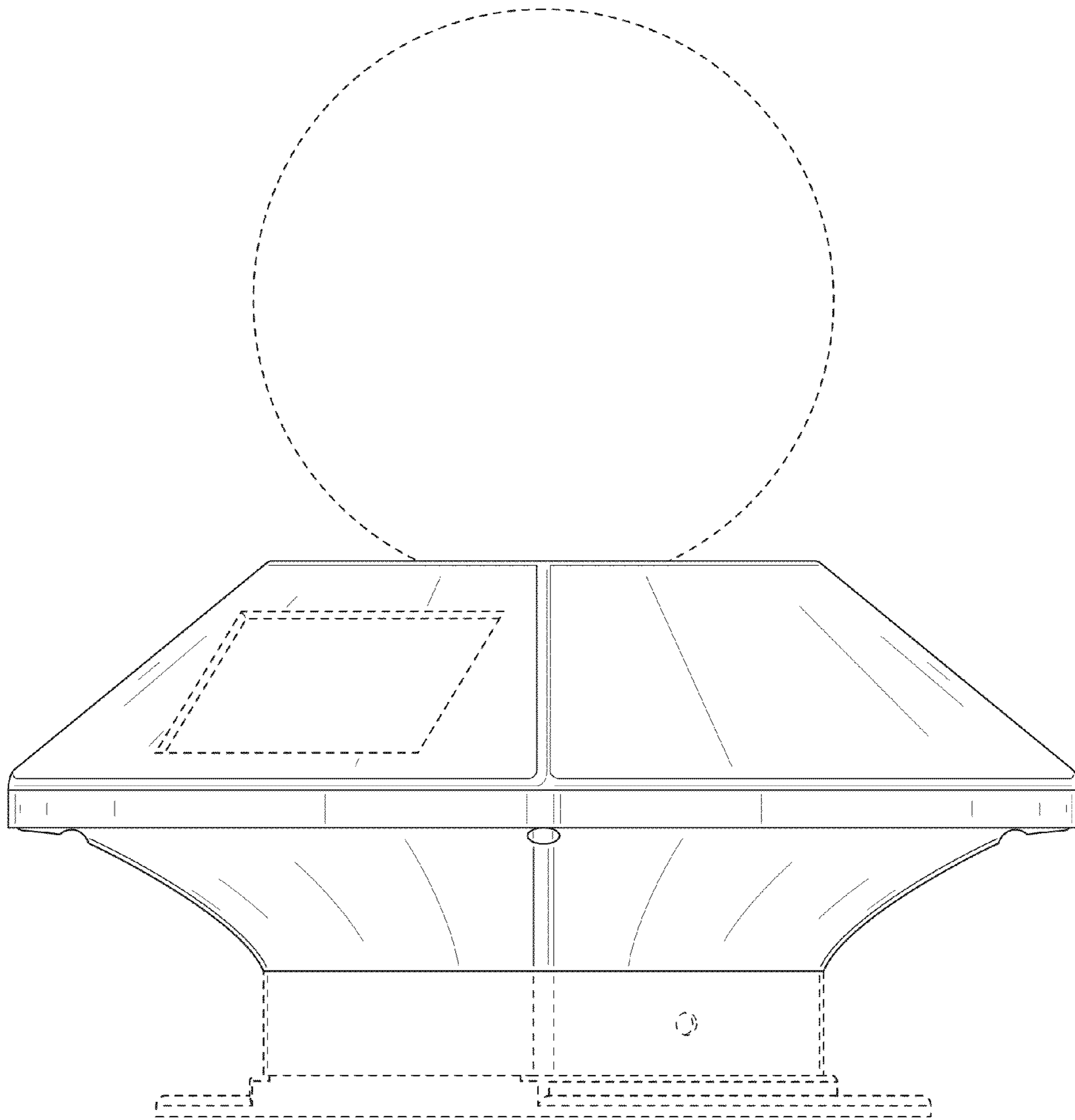


FIG. 3

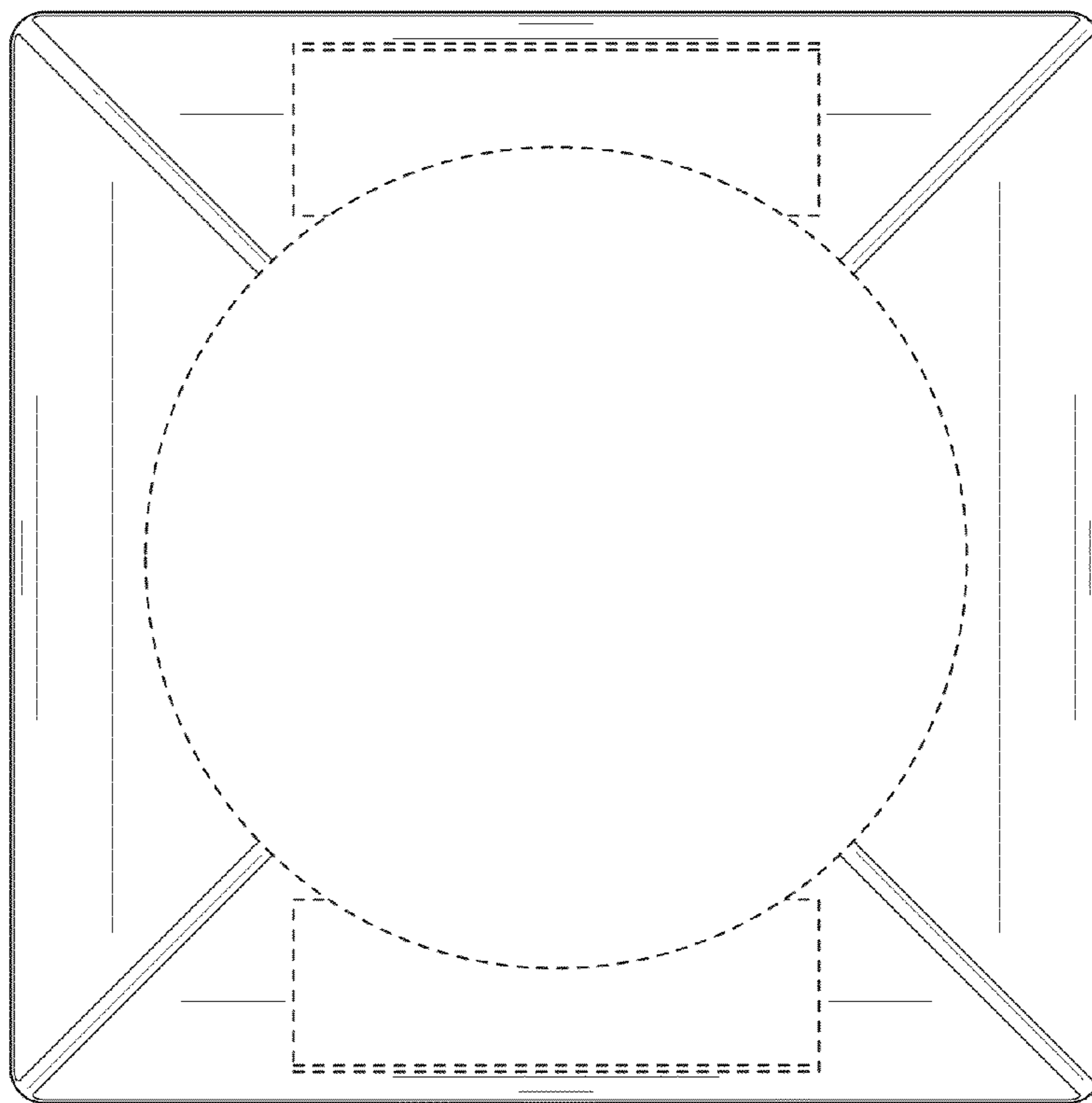


FIG. 4

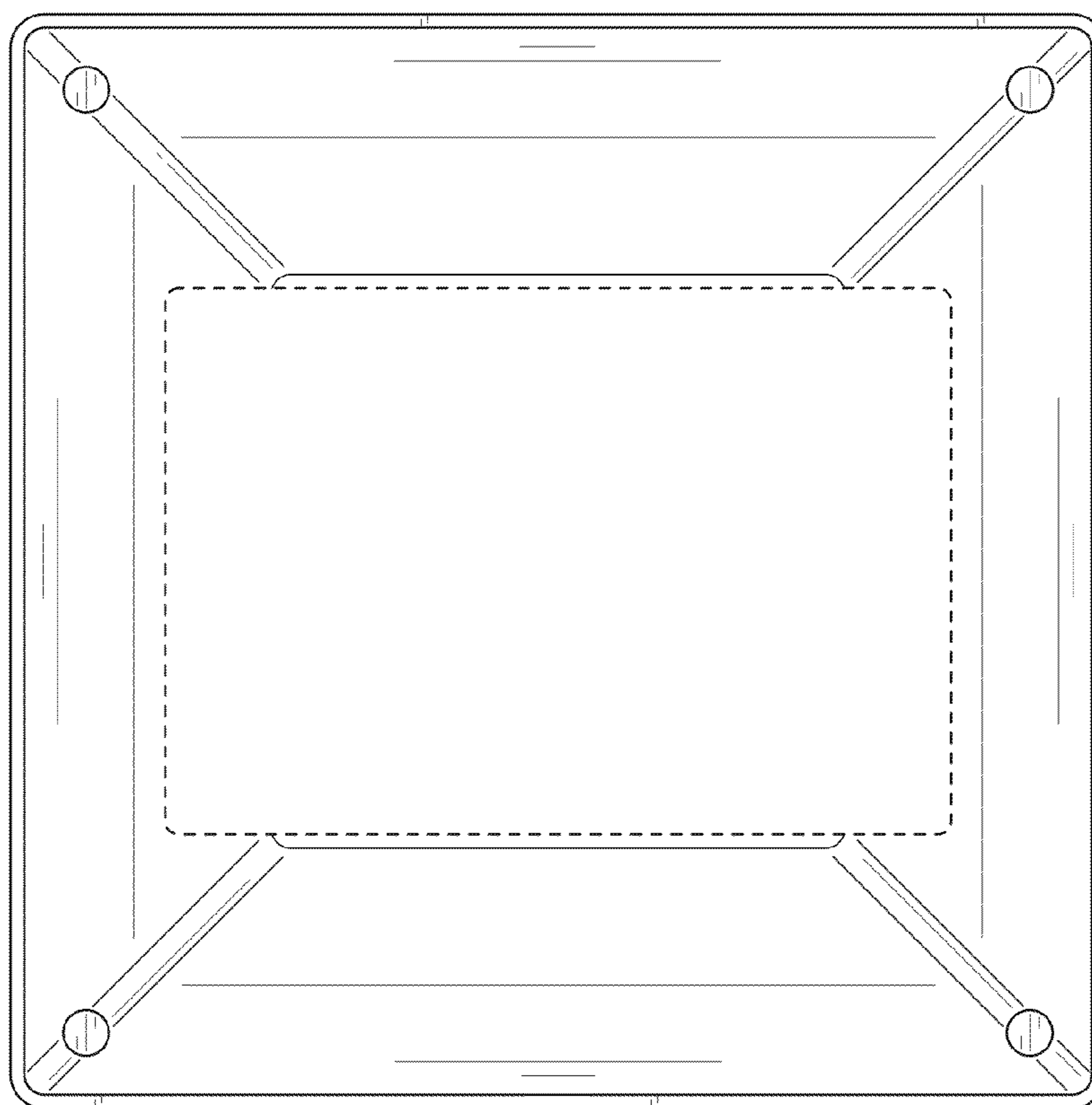


FIG. 5