



US00D693509S

(12) **United States Design Patent**
Hosick et al.

(10) **Patent No.:** **US D693,509 S**
(45) **Date of Patent:** **** Nov. 12, 2013**

(54) **SEARCHLIGHT**
(75) Inventors: **Colton D. Hosick**, Culbertson, NE (US);
Stephen P. Adams, Mesa, AZ (US)
(73) Assignee: **Golight Inc.**, Culbertson, NE (US)
(**) Term: **14 Years**
(21) Appl. No.: **29/424,610**
(22) Filed: **Jun. 13, 2012**
(51) **LOC (9) Cl.** **06-03**
(52) **U.S. Cl.**
USPC **D26/63**
(58) **Field of Classification Search**
USPC D26/1, 24, 60-66, 72, 85, 92, 113,
D26/118-119; 362/89, 217.01, 220, 217.02,
362/217.1, 217.14, 217.16, 257, 268-269,
362/275, 277, 282, 285, 310, 362, 368, 370,
362/382, 404, 418, 425, 427, 432, 433, 457,
362/804

5,673,989 A 10/1997 Gohl et al.
5,697,691 A 12/1997 Menke
5,806,956 A 9/1998 Hyun-Jo
6,461,009 B2 10/2002 Smith
6,499,867 B1 12/2002 Neal
6,558,029 B2 5/2003 Spring, Jr.
6,789,912 B2 9/2004 Smith
6,955,447 B2 10/2005 Lui
D515,228 S 2/2006 Gebhard et al.
D556,353 S 11/2007 Gebhard et al.
D573,286 S * 7/2008 Zettl D26/63
D582,084 S 12/2008 Gebhard et al.
D597,693 S * 8/2009 Kauffman et al. D26/63
D606,691 S * 12/2009 Lindholm D26/63

(Continued)

OTHER PUBLICATIONS

U.S. Appl. No. 29/427,095, filed Jul. 13, 2012; First Named Inventor:
Albert W. Gebhard.

Primary Examiner — Brian N Vinson
(74) *Attorney, Agent, or Firm* — Margaret Polson; Oppedahl
Patent Law Firm LLC

See application file for complete search history.

(57) **CLAIM**
The ornamental design for a searchlight, as shown and
described.

(56) **References Cited**

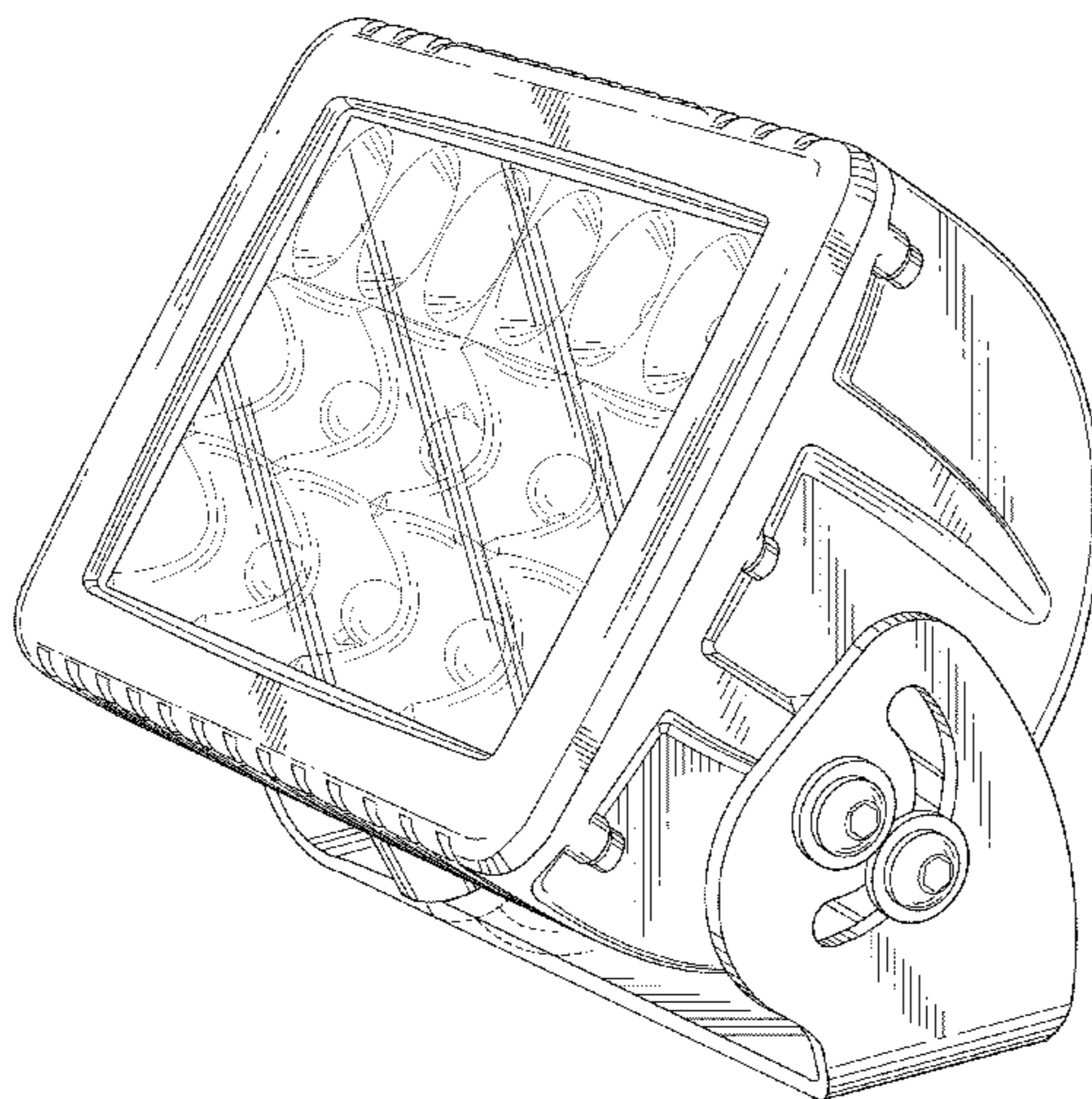
U.S. PATENT DOCUMENTS

3,936,670 A 2/1976 Allen, Sr.
D239,315 S 3/1976 Satoh et al.
4,225,906 A 9/1980 Gulliksen et al.
4,323,953 A 4/1982 Hutchison
D269,464 S 6/1983 Caroli
4,419,721 A 12/1983 Gregoire et al.
4,428,033 A 1/1984 McBride
4,573,107 A 2/1986 Stock et al.
D320,462 S 10/1991 Williams et al.
D322,136 S 12/1991 Shima et al.
D327,953 S 7/1992 Jordan
D347,704 S 6/1994 Thompson et al.
D351,243 S 10/1994 Williams et al.
5,385,062 A 1/1995 Menke
5,490,046 A 2/1996 Gohl et al.
5,499,167 A 3/1996 Brown

DESCRIPTION

FIG. 1 is a front and right side perspective view of a searchlight showing our new design, the broken-line disclosure of the power cord forming no part of the claimed design;
FIG. 2 is a front elevational view thereof;
FIG. 3 is a rear elevational view thereof;
FIG. 4 is a top plan view thereof;
FIG. 5 is a bottom plan view thereof;
FIG. 6 is a right side elevational view thereof, the left side being a mirror image of that shown; and,
FIG. 7 is an additional right side elevational view thereof, shown in a rotated position.

1 Claim, 5 Drawing Sheets



US D693,509 S

Page 2

(56)

References Cited

U.S. PATENT DOCUMENTS

7,638,970 B1 12/2009 Gebhard et al.
D625,870 S * 10/2010 Feigenbaum D26/63
7,862,197 B2 1/2011 Gebhard
D641,905 S * 7/2011 Janssen D26/63

D645,594 S * 9/2011 Grawe D26/63
D650,505 S * 12/2011 Oka D26/63
D666,346 S * 8/2012 Gebhard et al. D26/63
D674,949 S * 1/2013 Georgitsis et al. D26/63
2004/0037064 A1 2/2004 Johnson

* cited by examiner

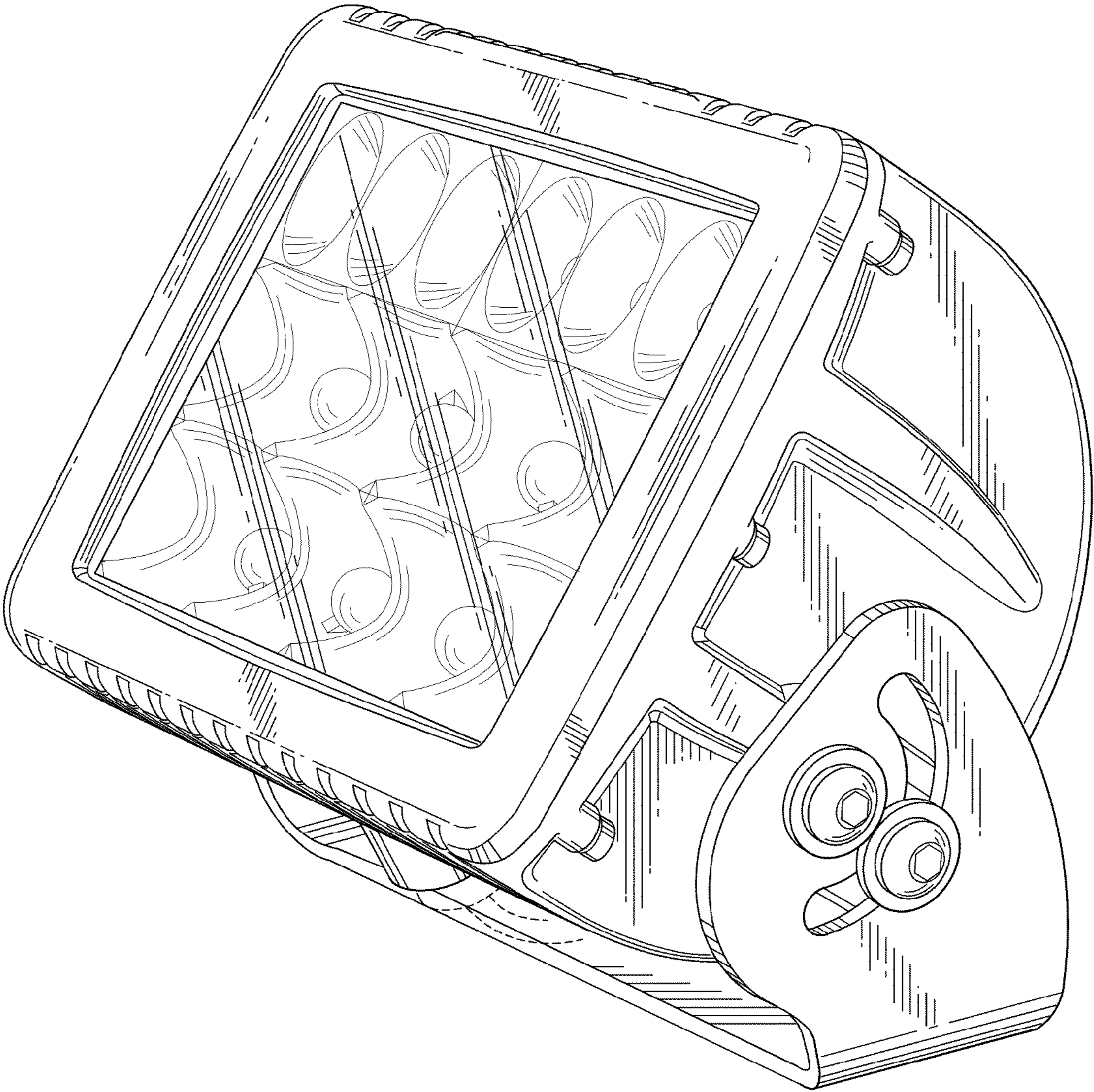


FIG.1

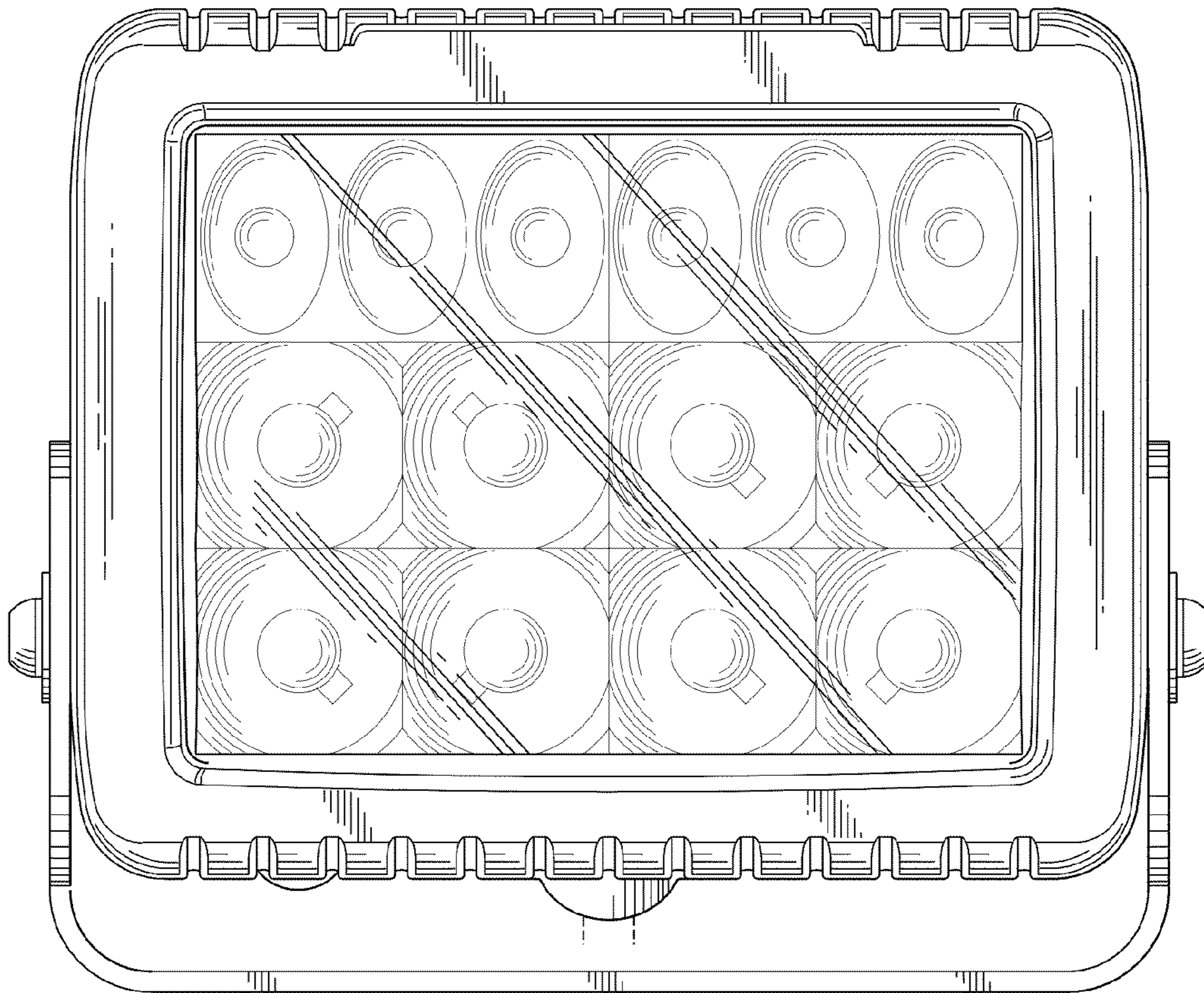


FIG.2

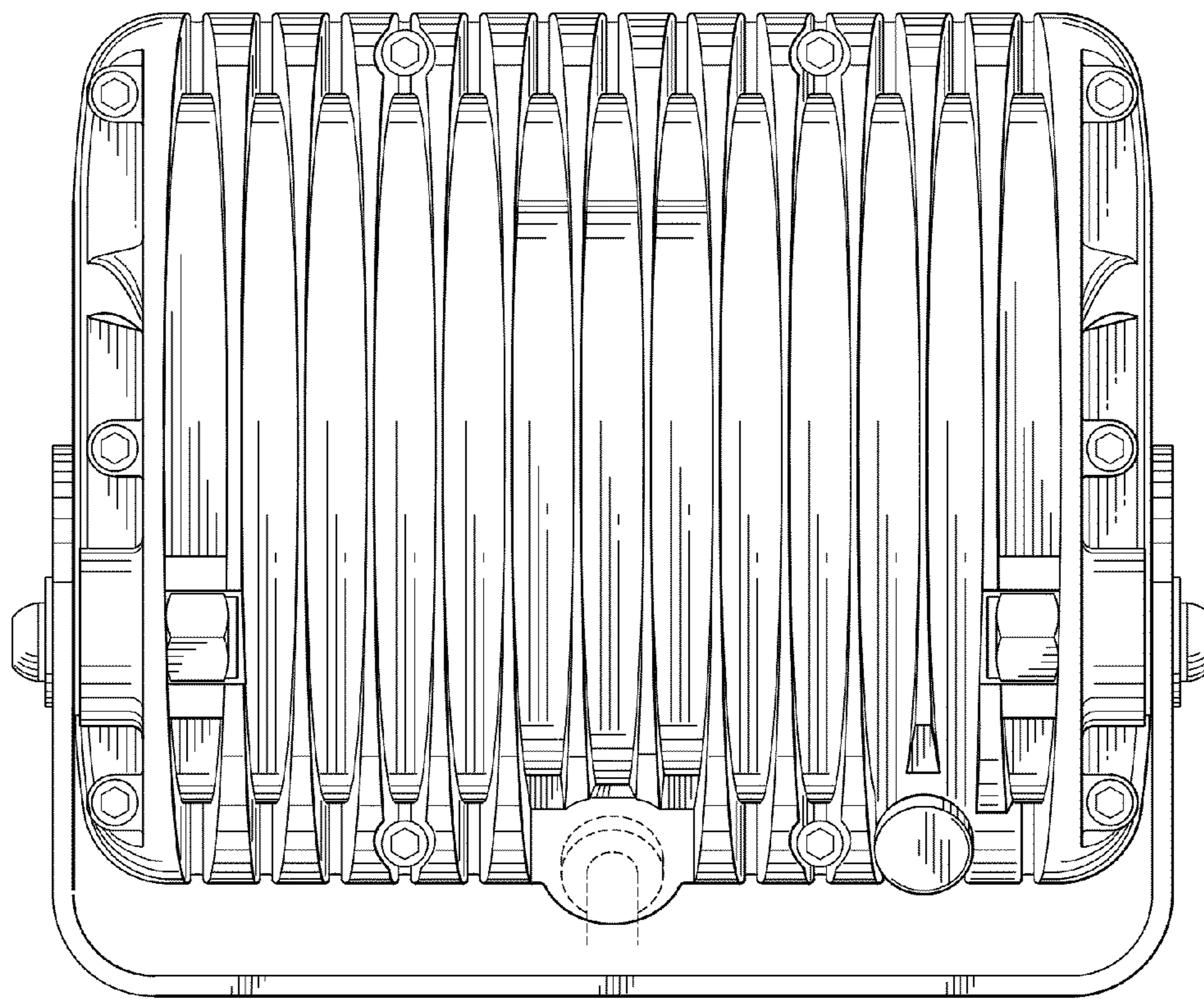


FIG.3

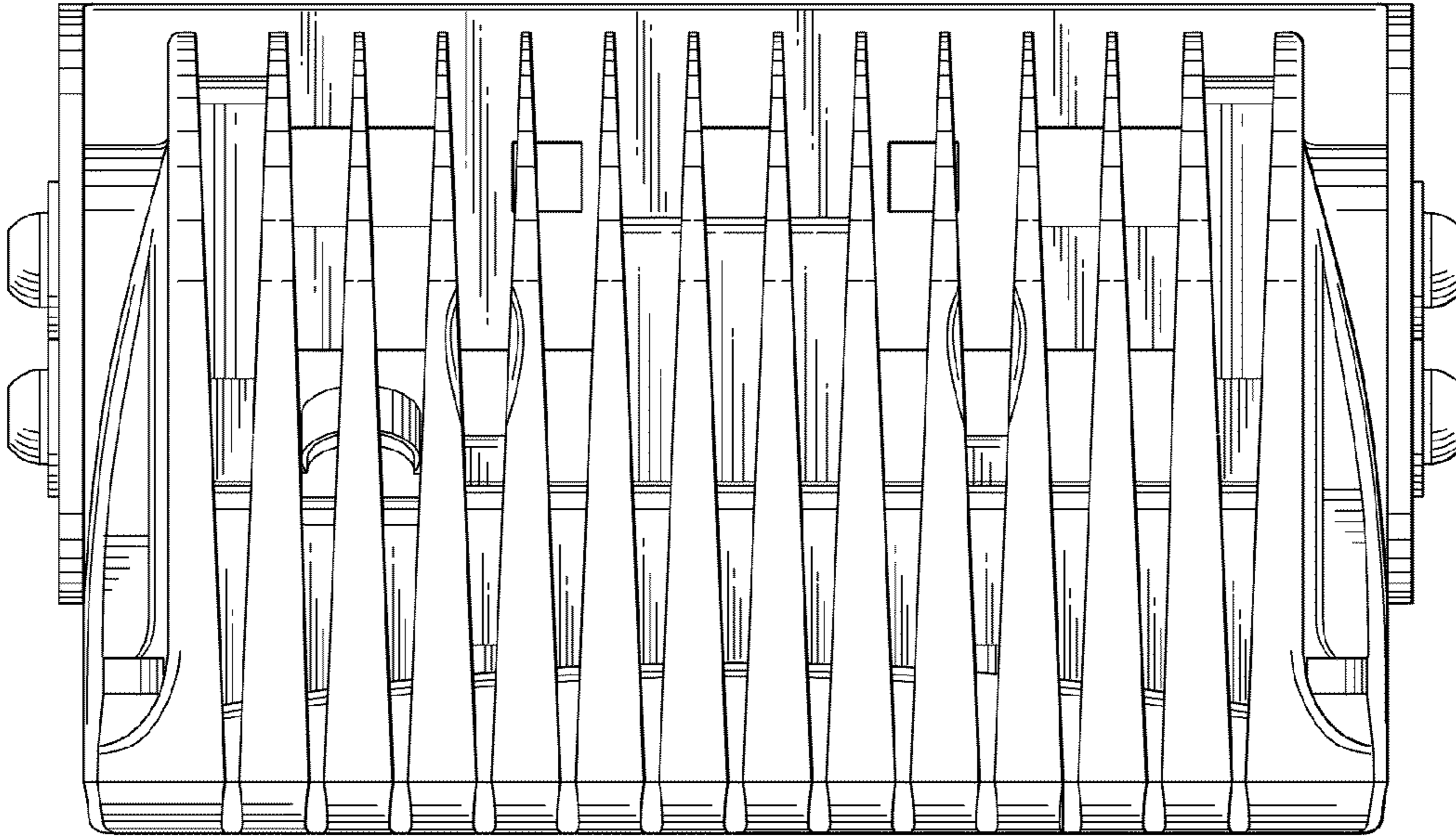


FIG. 4

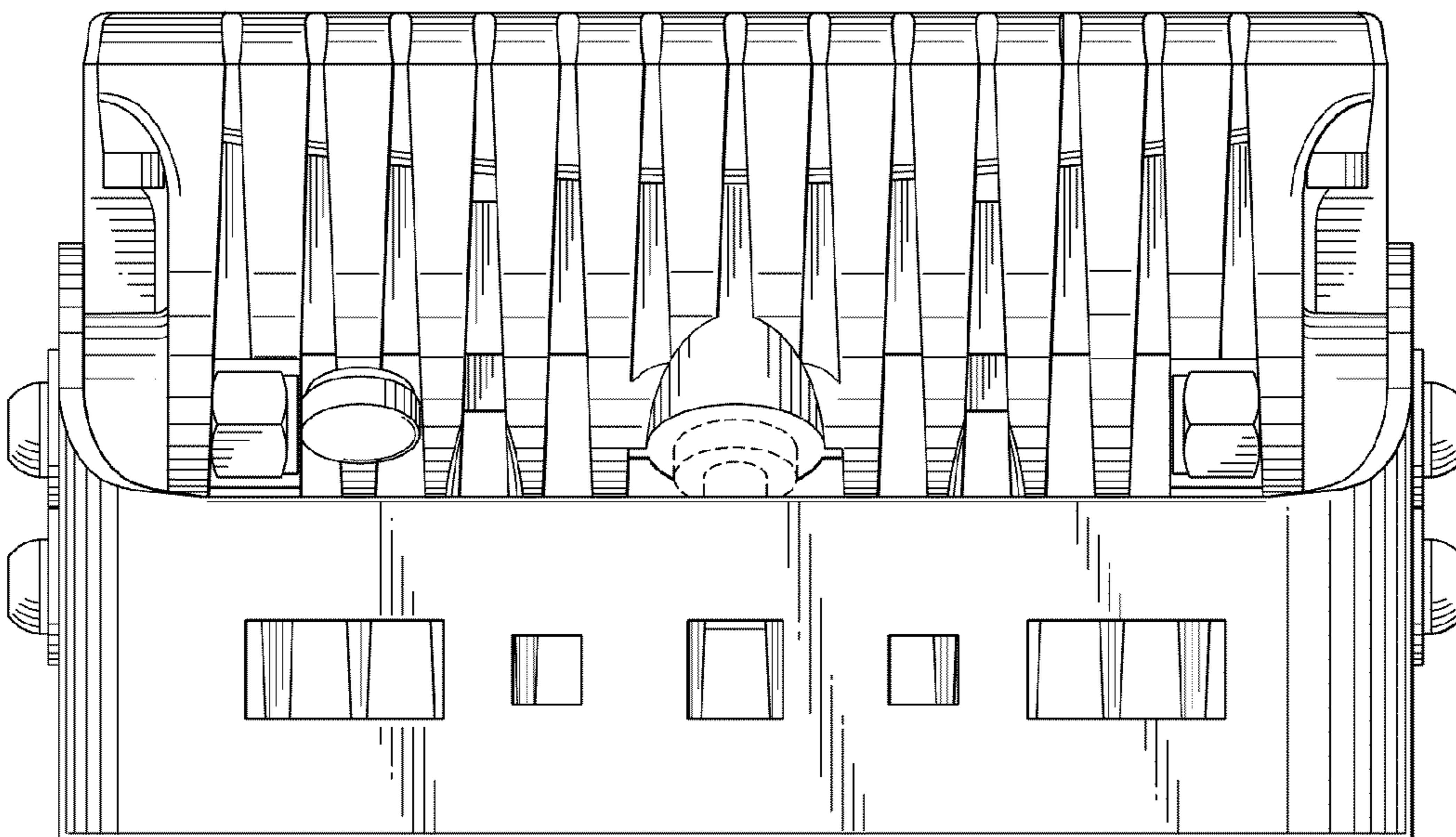


FIG. 5

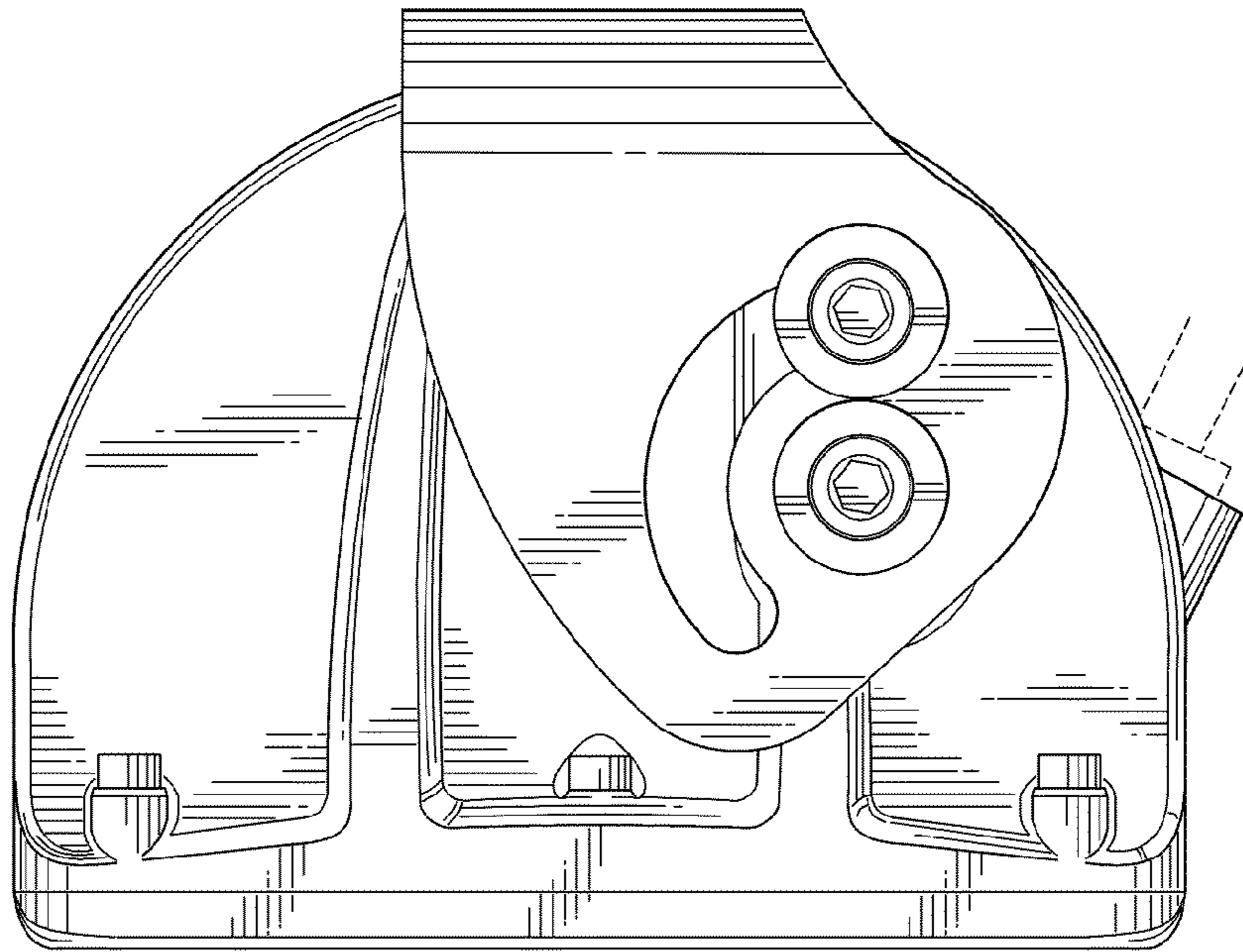


FIG. 7

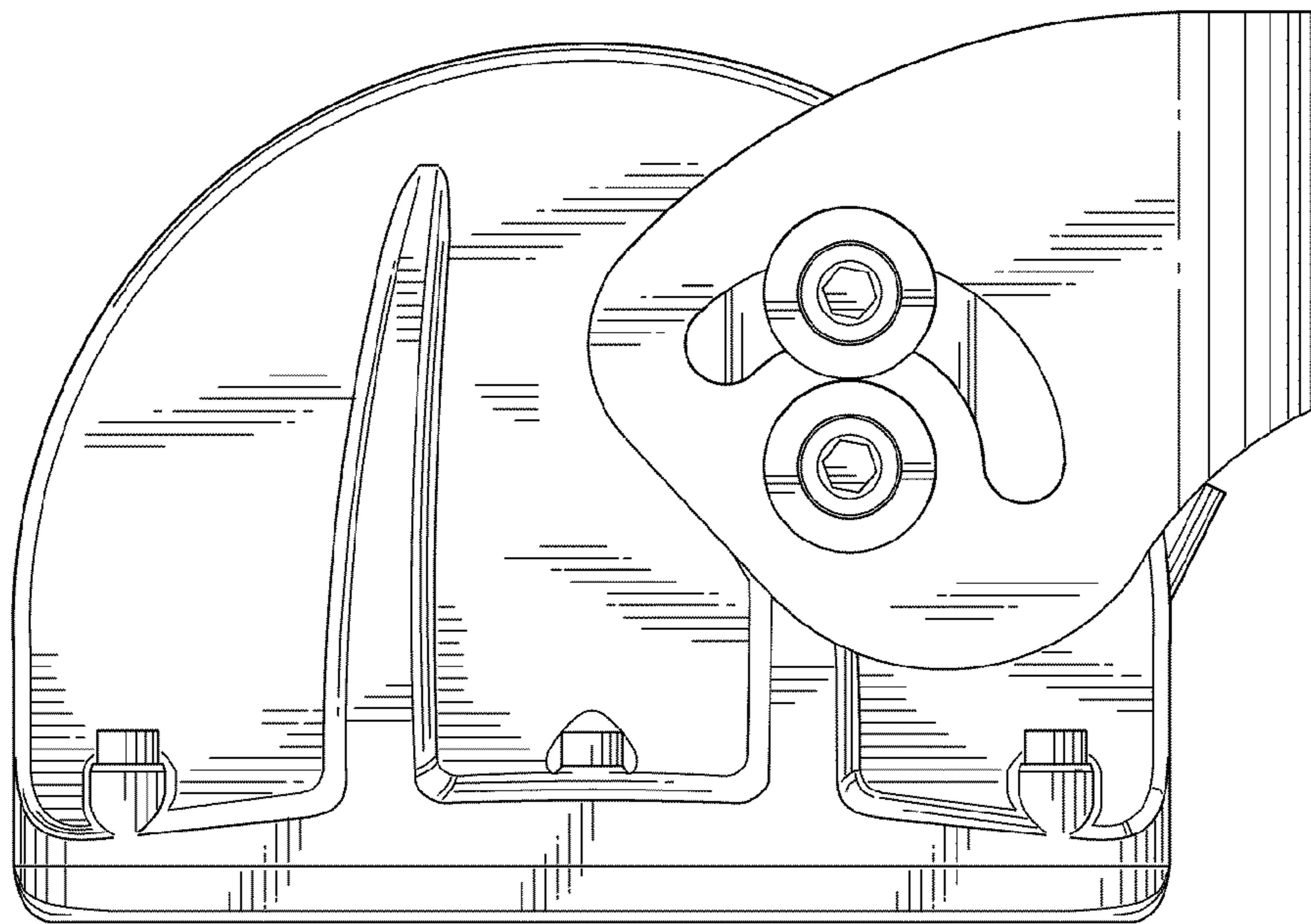


FIG. 6