



US00D693506S

(12) **United States Design Patent**  
**Levine**

(10) **Patent No.:** **US D693,506 S**

(45) **Date of Patent:** **\*\* Nov. 12, 2013**

(54) **LIGHTING DEVICE**

(75) Inventor: **Jonathan E. Levine**, New York, NY (US)

(73) Assignee: **Lancer & Loader Group LLC**, New York, NY (US)

(\*\*) Term: **14 Years**

(21) Appl. No.: **29/416,171**

(22) Filed: **Mar. 19, 2012**

(51) **LOC (9) Cl.** ..... **26-05**

(52) **U.S. Cl.**  
USPC ..... **D26/63**

(58) **Field of Classification Search**  
USPC ..... D26/61, 63, 74, 80, 81, 83-89;  
362/147, 488, 490, 515, 20, 249.1,  
362/249.07, 285, 287  
See application file for complete search history.

(56) **References Cited**

**U.S. PATENT DOCUMENTS**

D294,302 S *	2/1988	Littrell et al.	.....	D26/63
D320,863 S *	10/1991	Macaluso	.....	D26/63
D483,511 S *	12/2003	Lay et al.	.....	D26/63
D507,373 S *	7/2005	Kim, II	.....	D26/63
D607,131 S	12/2009	Levine	.....	
D655,433 S *	3/2012	Levine	.....	D26/65
D658,799 S *	5/2012	Levine	.....	D26/63
D662,641 S *	6/2012	Levine	.....	D26/65

\* cited by examiner

*Primary Examiner* — Brian N Vinson

(74) *Attorney, Agent, or Firm* — Perkins Coie LLP

(57) **CLAIM**

The ornamental design for a lighting device, as shown and described.

**DESCRIPTION**

FIG. 1 is a perspective view of a lighting device showing my new design in a first configuration, as viewed from the top and one side.

FIG. 2 is a back elevation view of the lighting device of FIG. 1 in the first configuration.

FIG. 3 is a first side elevation view of the lighting device of FIG. 1 in the first configuration.

FIG. 4 is a top plan view of the lighting device of FIG. 1 in the first configuration.

FIG. 5 is a front elevation view of the lighting device of FIG. 1 in the first configuration.

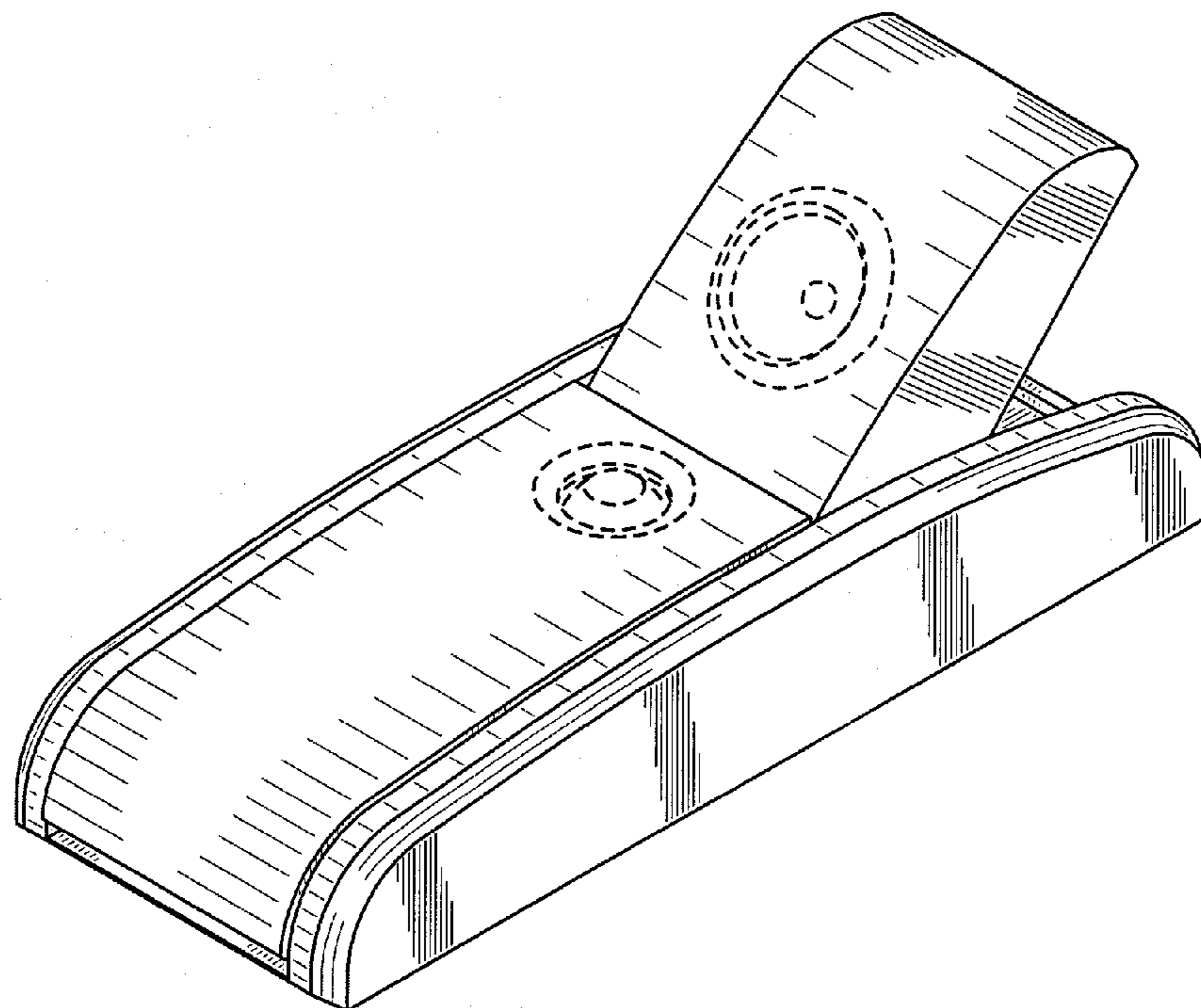
FIG. 6 is a second side elevation view of the lighting device of FIG. 1 in the first configuration.

FIG. 7 is a bottom plan view of the lighting device of FIG. 1 in the first configuration; and,

FIG. 8 is a perspective view of the lighting device of FIG. 1 in a second configuration, as viewed from the top and one side.

The details shown in broken lines illustrate portions of the lighting device that form no part of the claimed design.

**1 Claim, 3 Drawing Sheets**



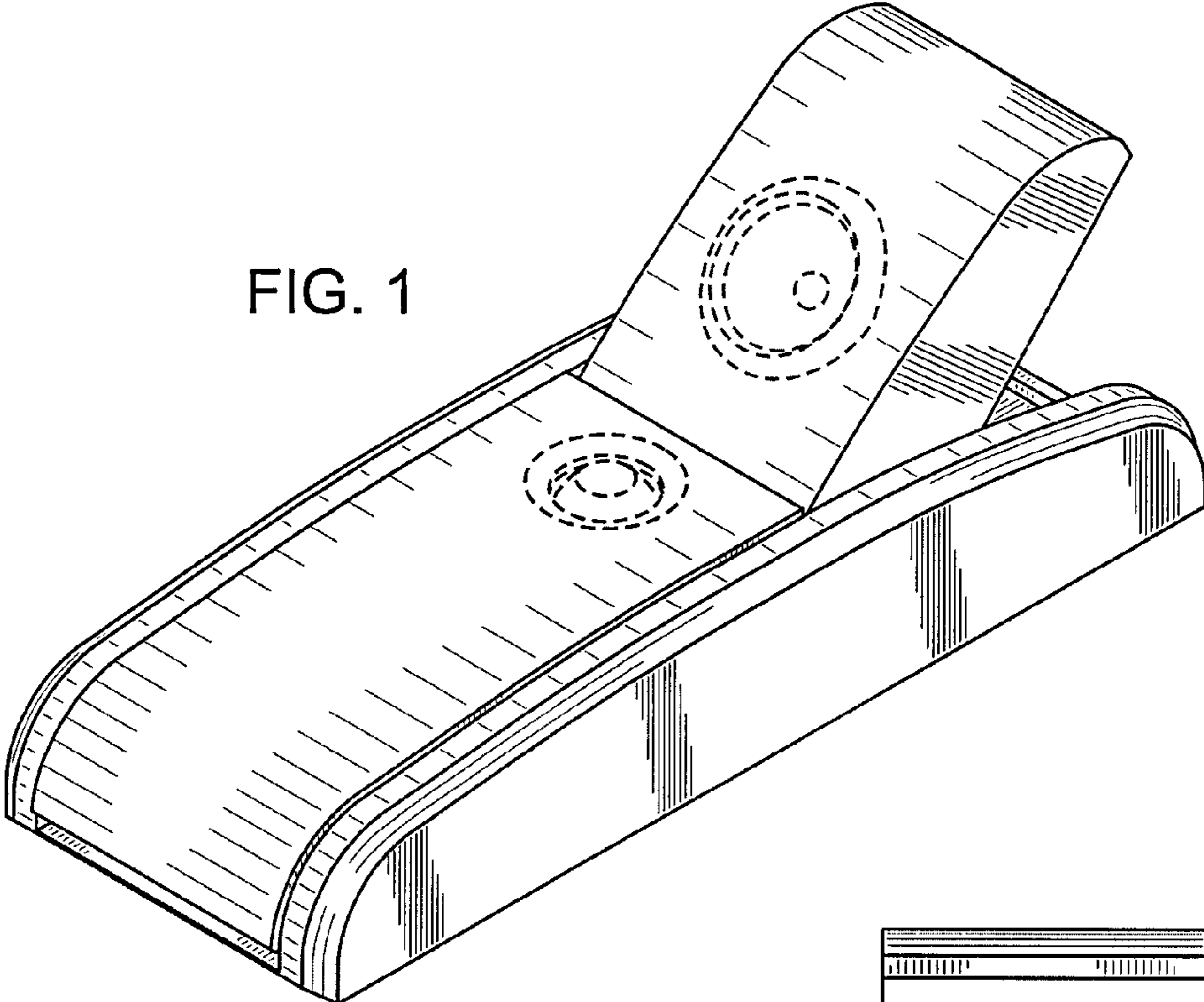


FIG. 1

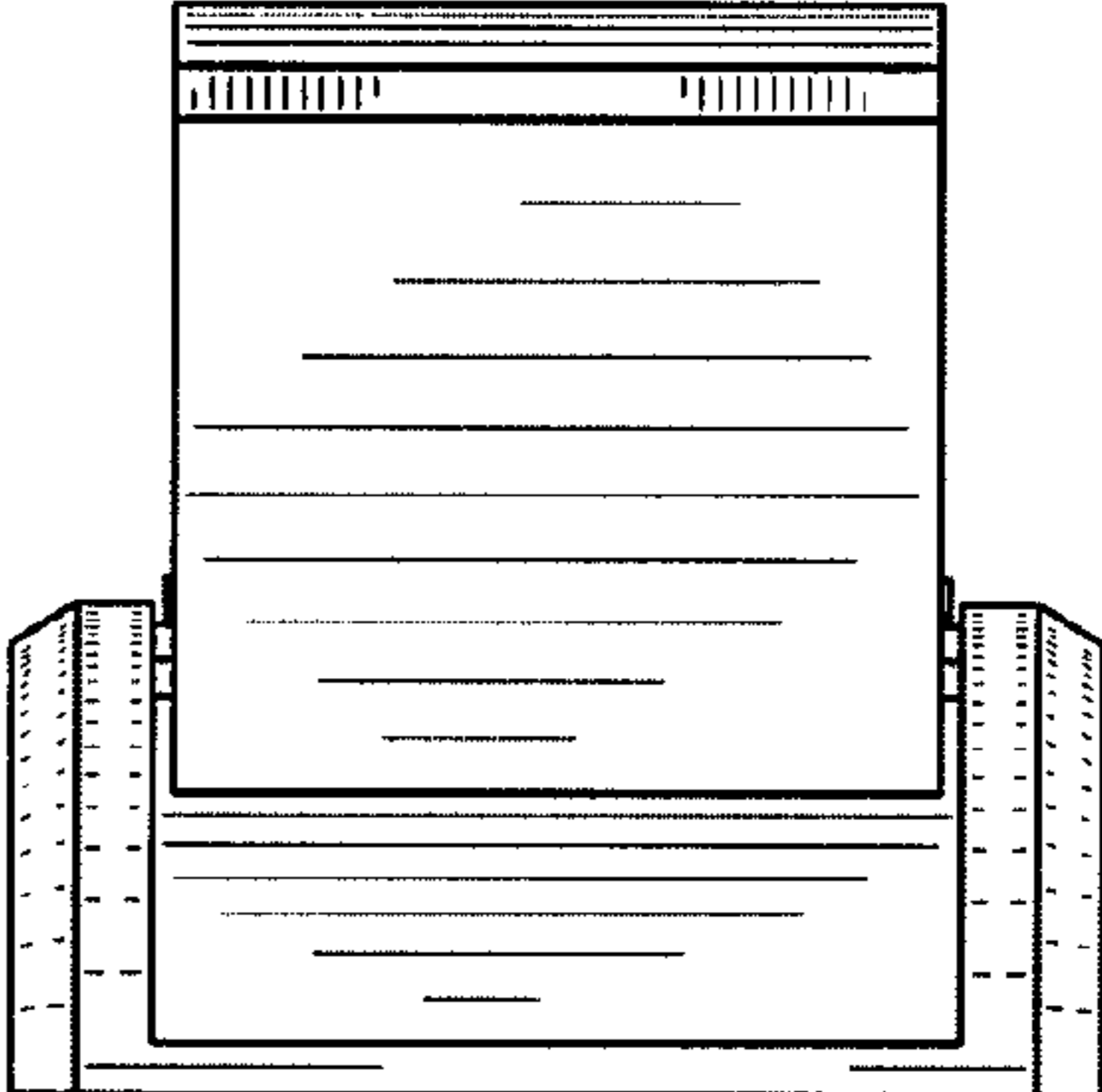


FIG. 2

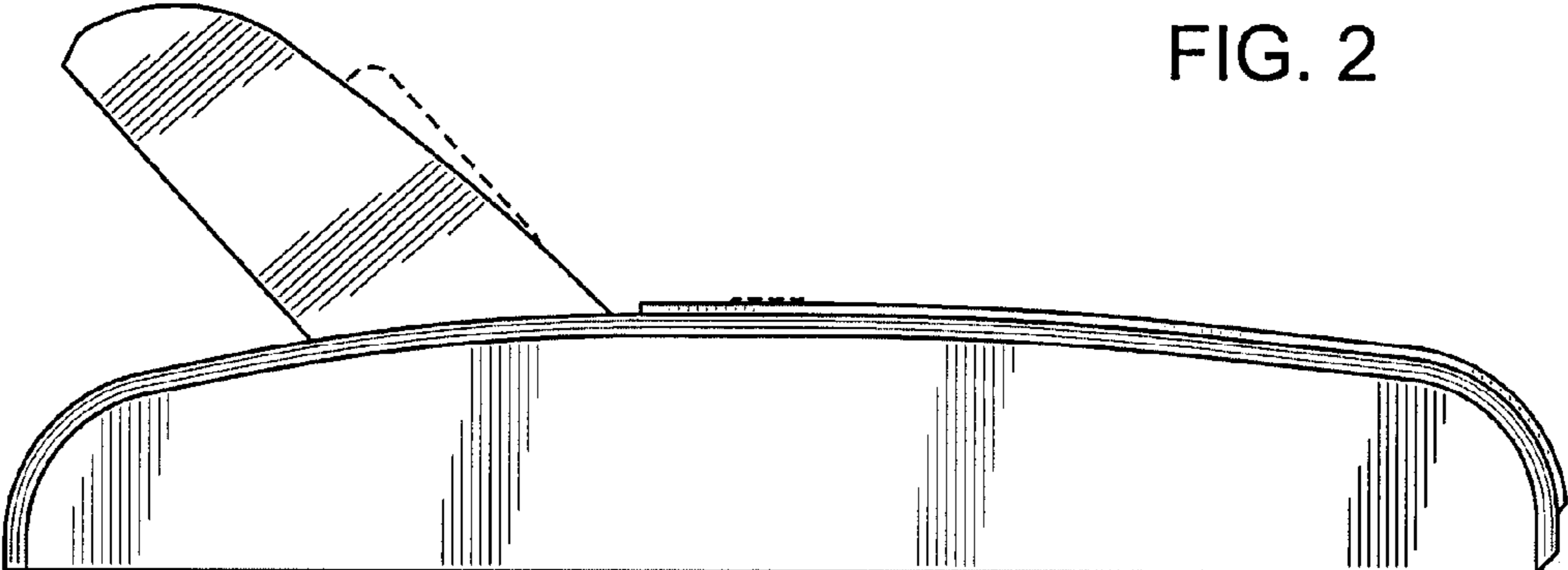


FIG. 3

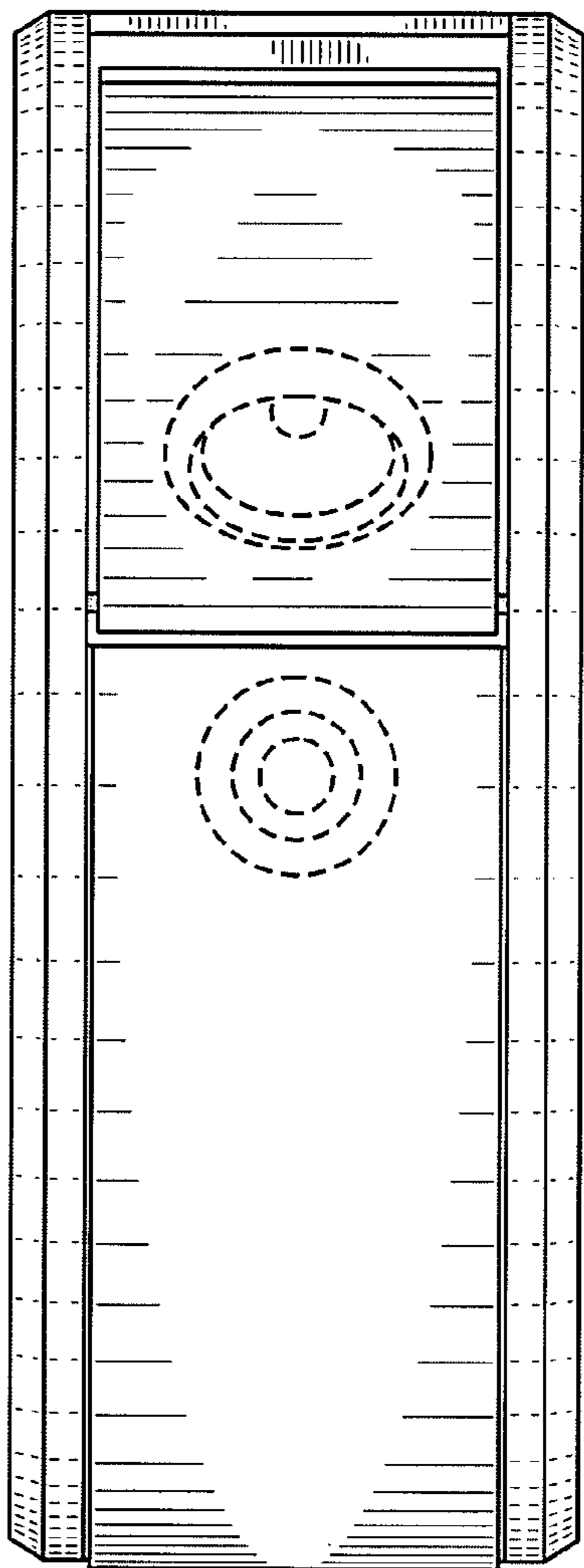


FIG. 4

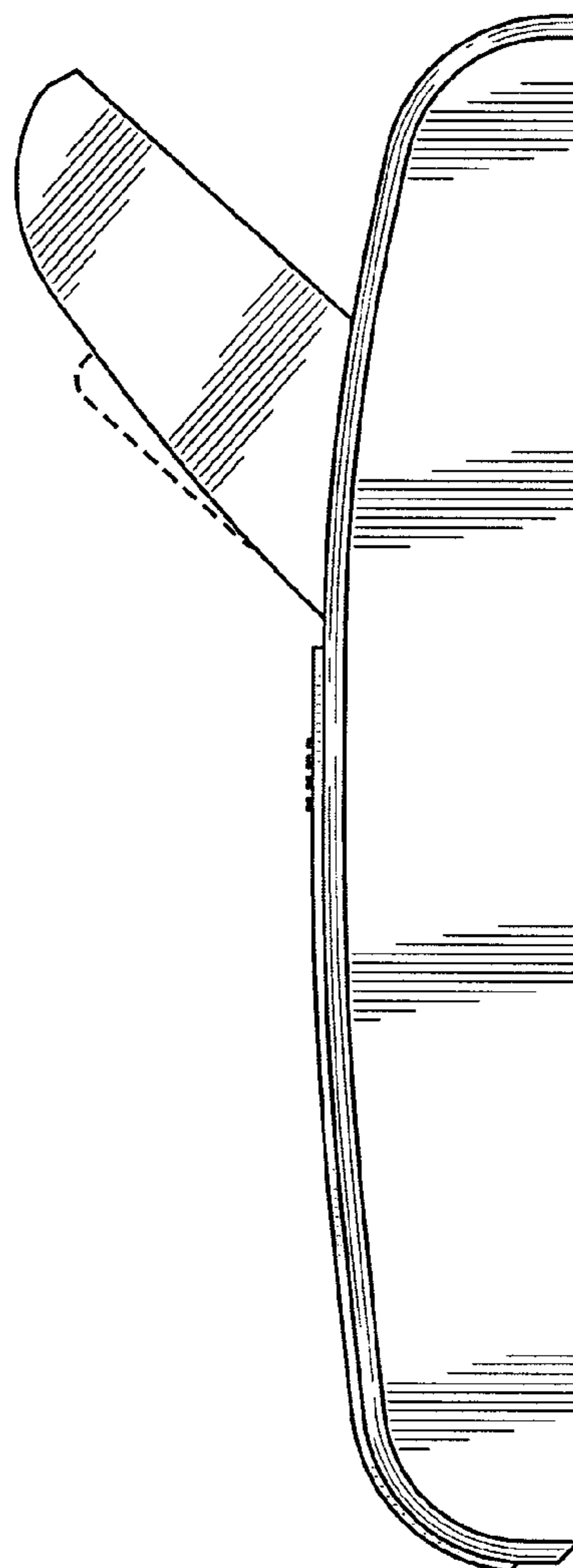


FIG. 6

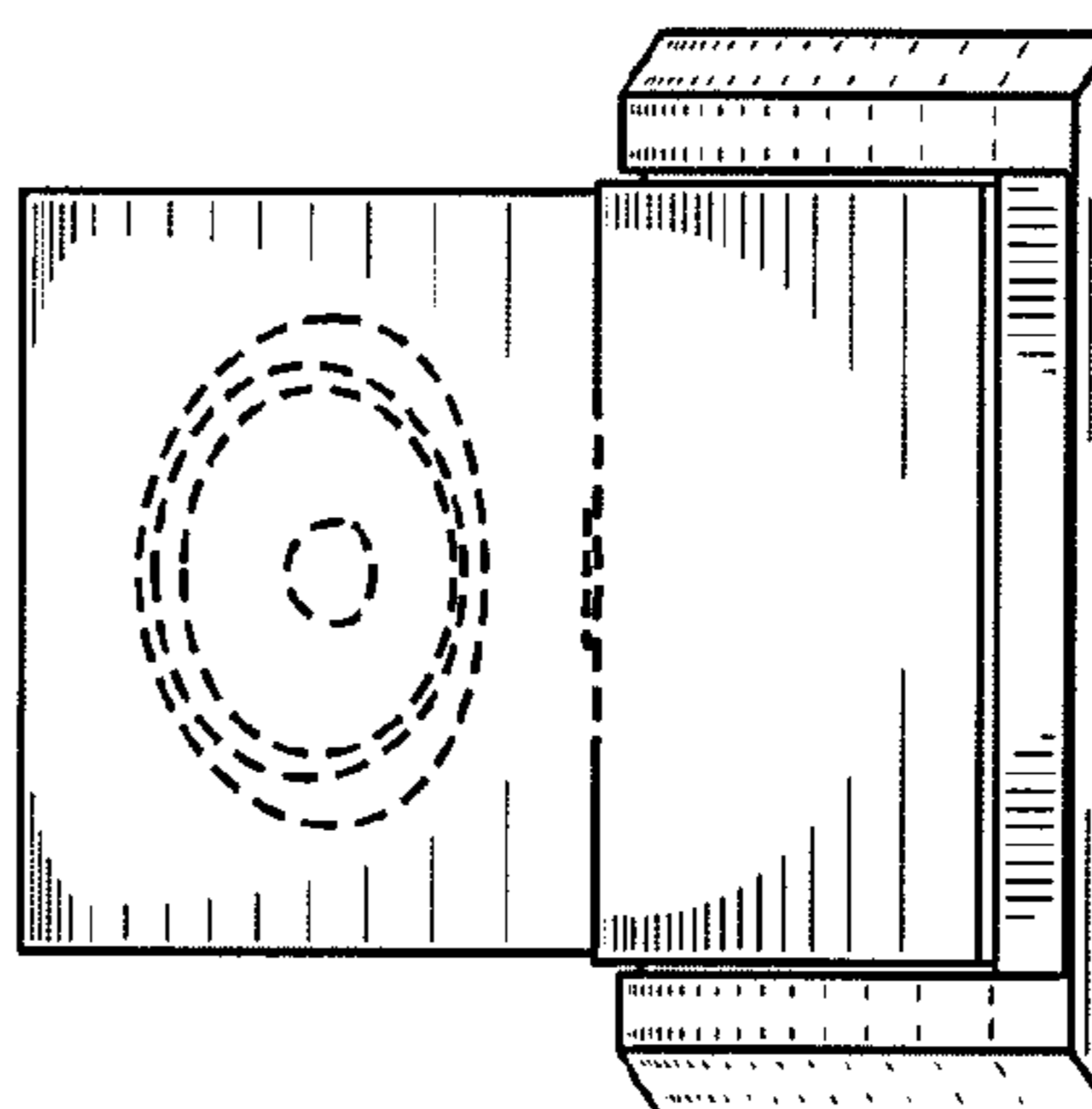


FIG. 5

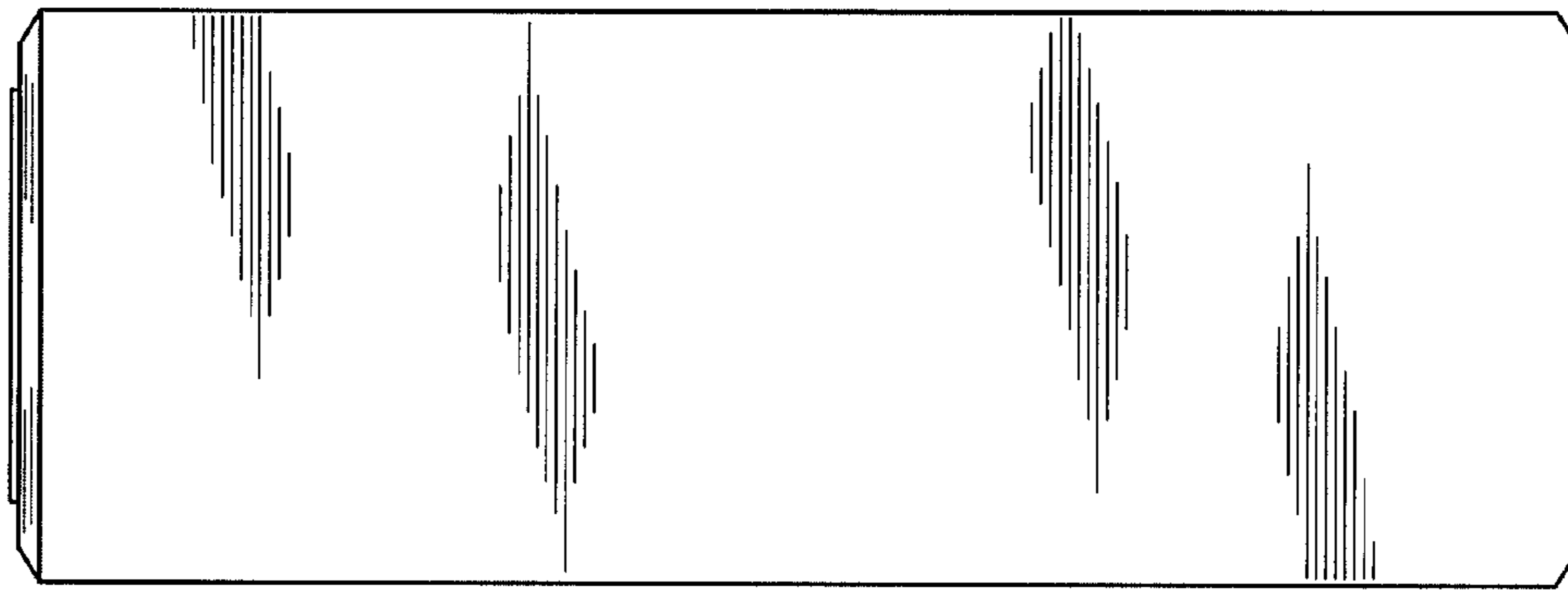


FIG. 7

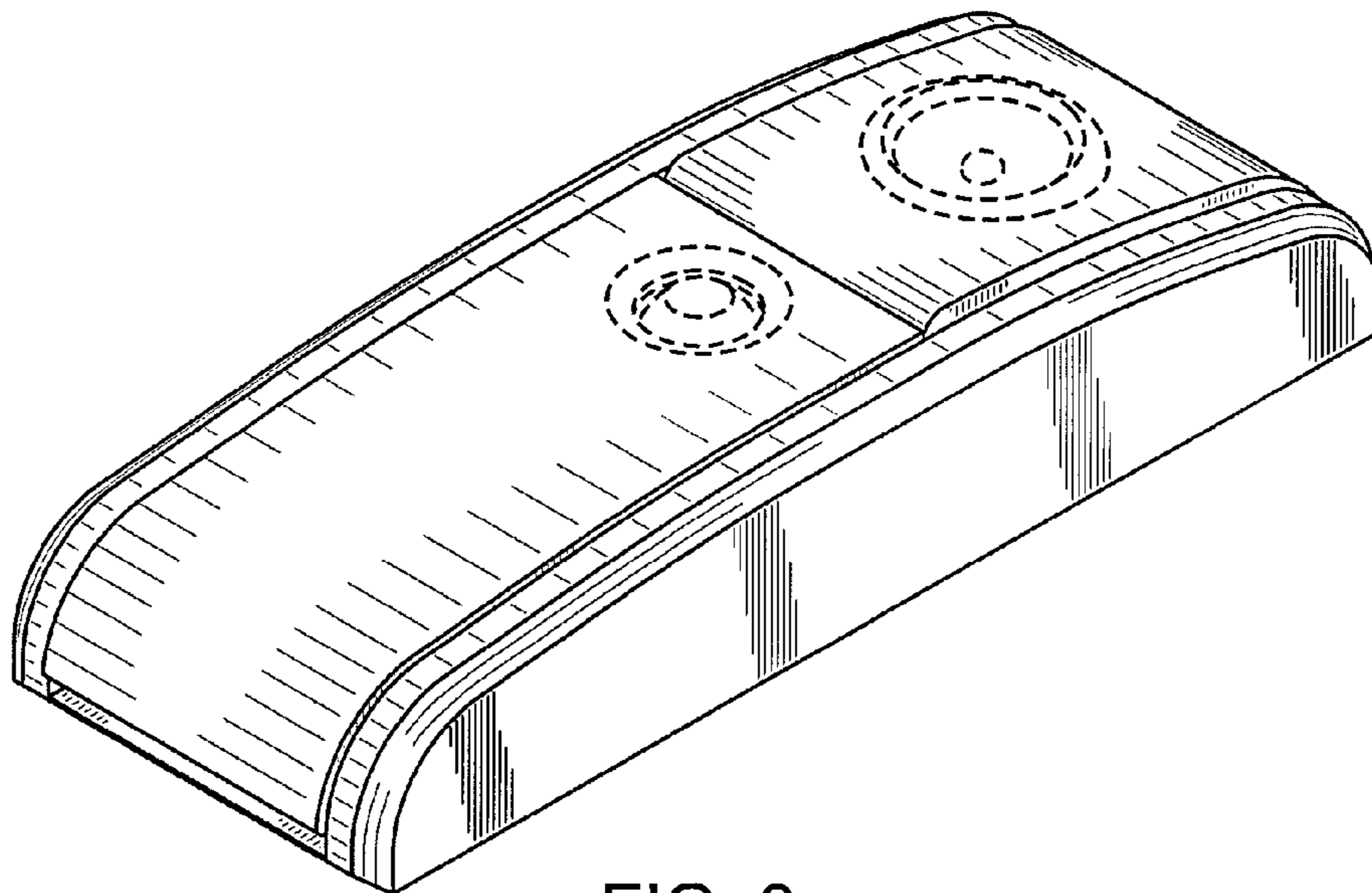


FIG. 8