



US00D693505S

(12) **United States Design Patent**
Levine

(10) **Patent No.:** **US D693,505 S**

(45) **Date of Patent:** **** Nov. 12, 2013**

(54) **LIGHTING DEVICE**

D655,433 S * 3/2012 Levine D26/65
D658,799 S * 5/2012 Levine D26/63
D662,641 S * 6/2012 Levine D26/65

(75) Inventor: **Jonathan E. Levine**, New York, NY
(US)

* cited by examiner

(73) Assignee: **Lancer & Loader Group LLC**, New
York, NY (US)

Primary Examiner — Brian N Vinson

(74) *Attorney, Agent, or Firm* — Perkins Coie LLP

(**) Term: **14 Years**

(57) **CLAIM**

The ornamental design for a lighting device, as shown and described.

(21) Appl. No.: **29/416,169**

DESCRIPTION

(22) Filed: **Mar. 19, 2012**

FIG. 1 is a perspective view of a lighting device showing my new design in a first configuration, as viewed from the top and one side.

(51) **LOC (9) Cl.** **26-05**

FIG. 2 is a first side elevation view of the lighting device of FIG. 1 in the first configuration.

(52) **U.S. Cl.**

FIG. 3 is a front elevation view of the lighting device of FIG. 1 in the first configuration.

USPC **D26/63**

FIG. 4 is a back elevation view of the lighting device of FIG. 1 in the first configuration.

(58) **Field of Classification Search**

USPC D26/61, 63, 74, 80, 81, 83-89;
362/147, 488, 490, 515, 20, 249.1,
362/249.07, 285, 287

FIG. 5 is a second side elevation view of the lighting device of FIG. 1 in the first configuration.

See application file for complete search history.

FIG. 6 is a top plan view of the lighting device of FIG. 1 in the first configuration.

(56) **References Cited**

References Cited

U.S. PATENT DOCUMENTS

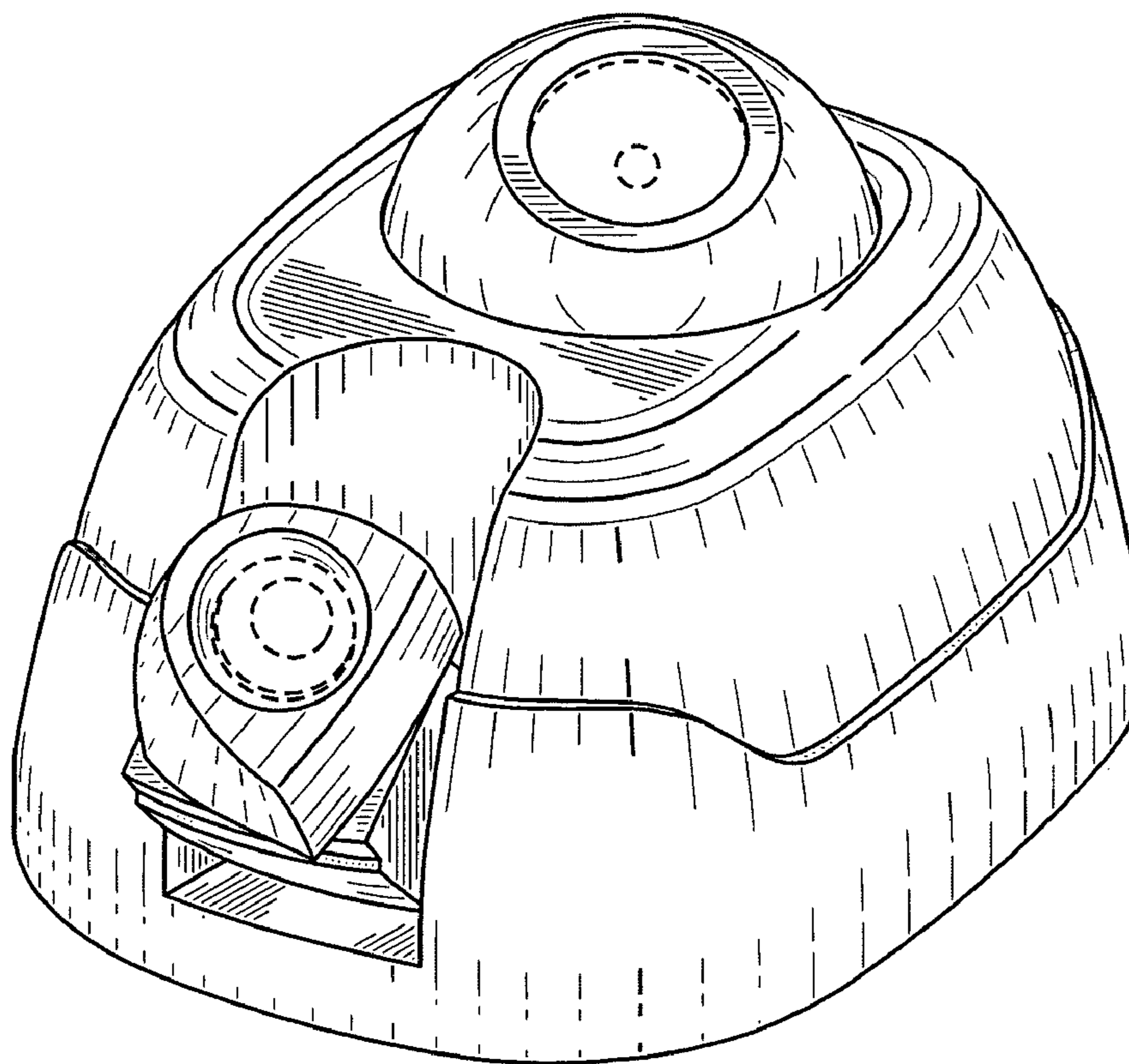
D294,302 S * 2/1988 Littrell et al. D26/63
D320,863 S * 10/1991 Macaluso D26/63
D483,511 S * 12/2003 Lay et al. D26/63
D507,373 S * 7/2005 Kim D26/63

FIG. 7 is a bottom plan view of the lighting device of FIG. 1 in the first configuration; and,

FIG. 8 is a perspective view of the lighting device of FIG. 1 in a second configuration, as viewed from the top and one side.

The details shown in broken lines illustrate portions of the lighting device that form no part of the claimed design.

1 Claim, 4 Drawing Sheets



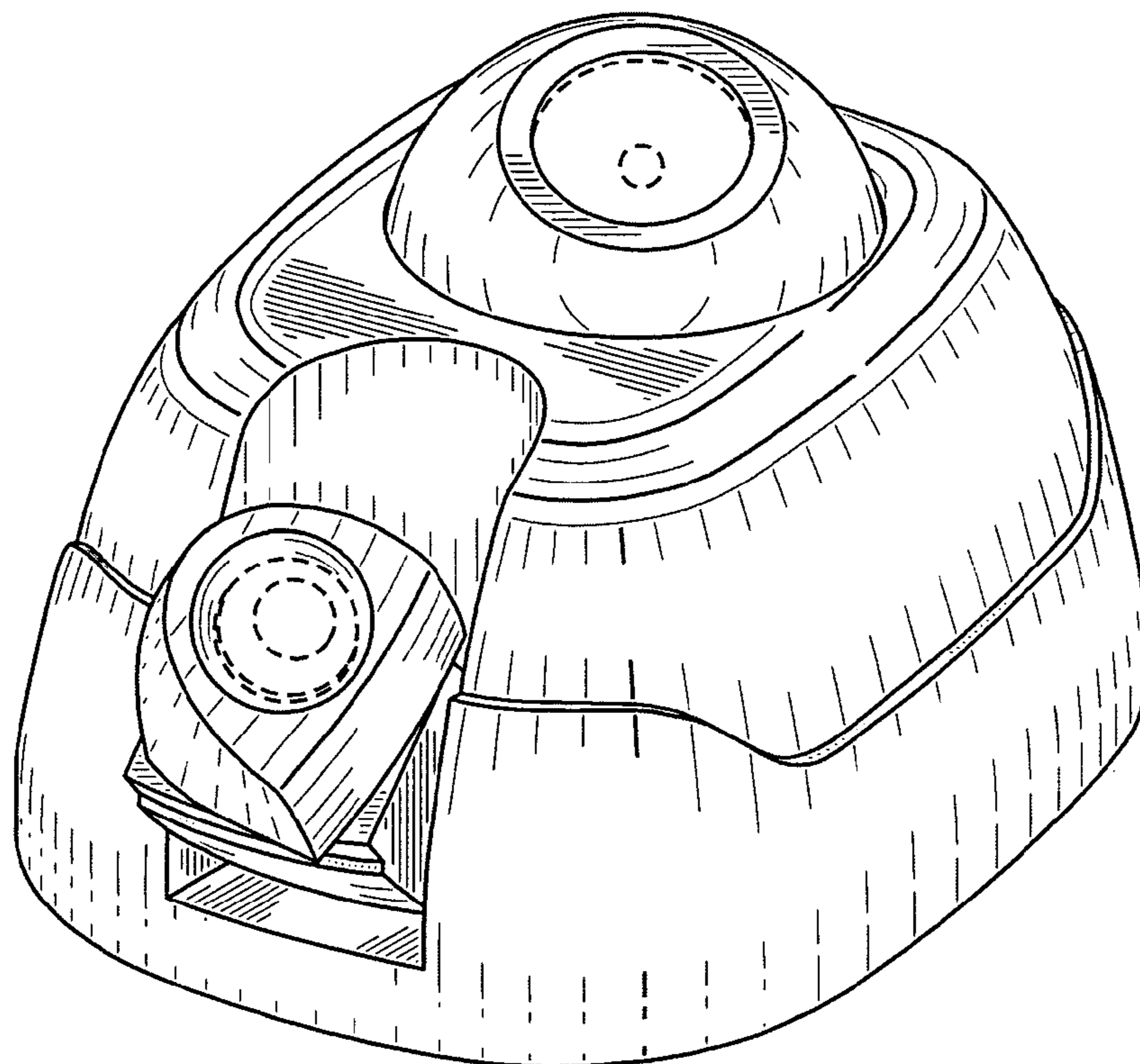


FIG. 1

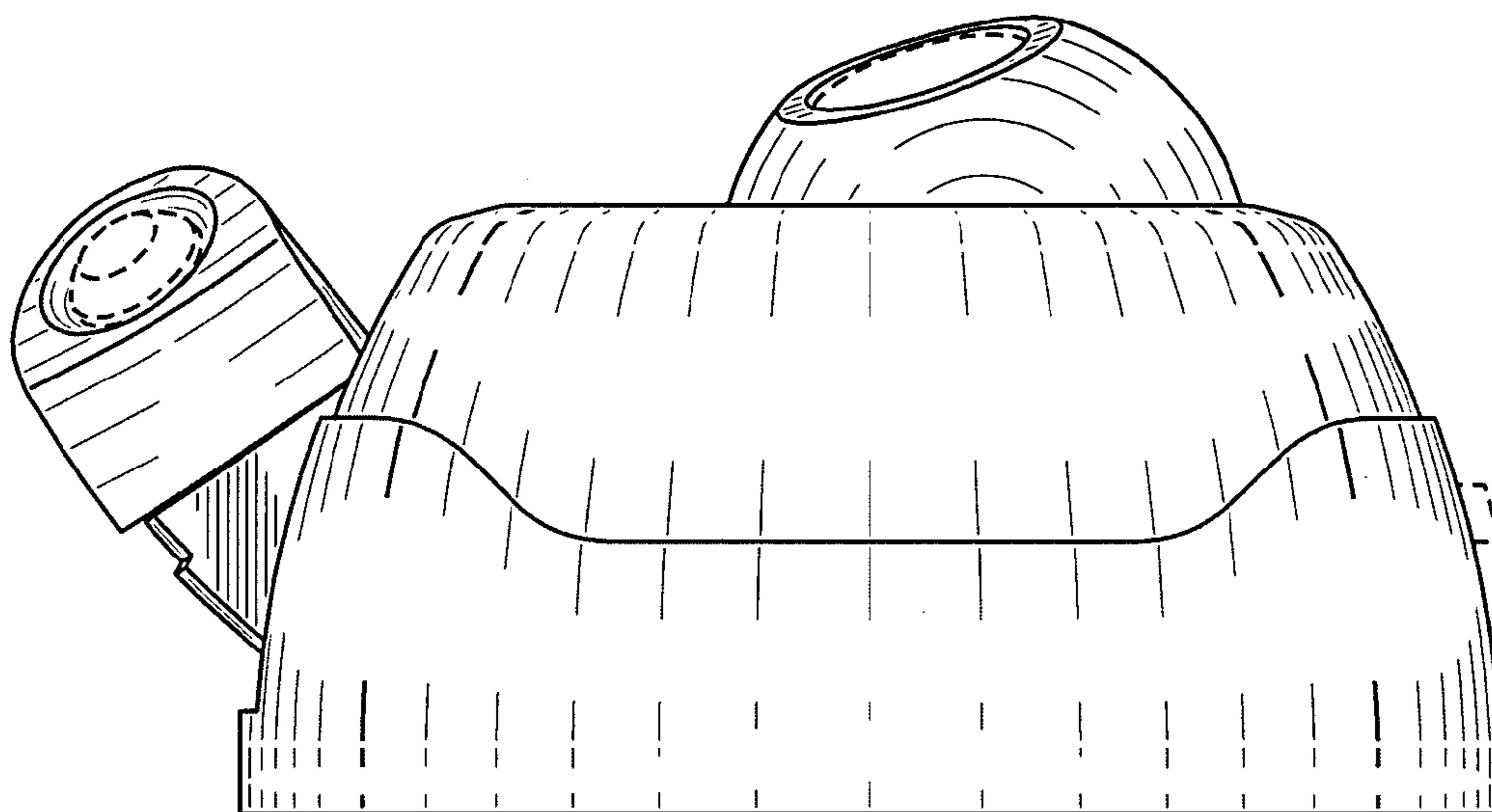


FIG. 2

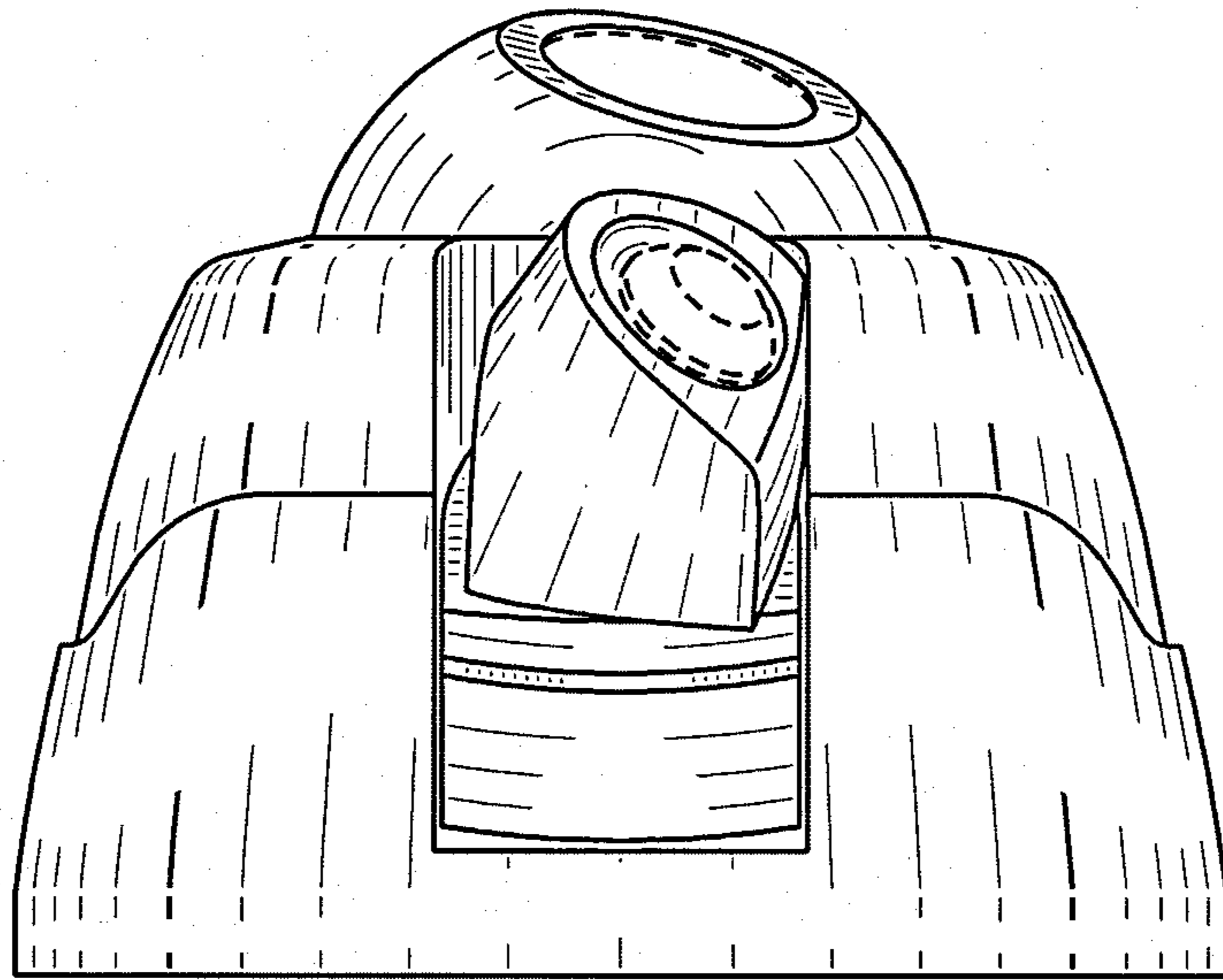


FIG. 3

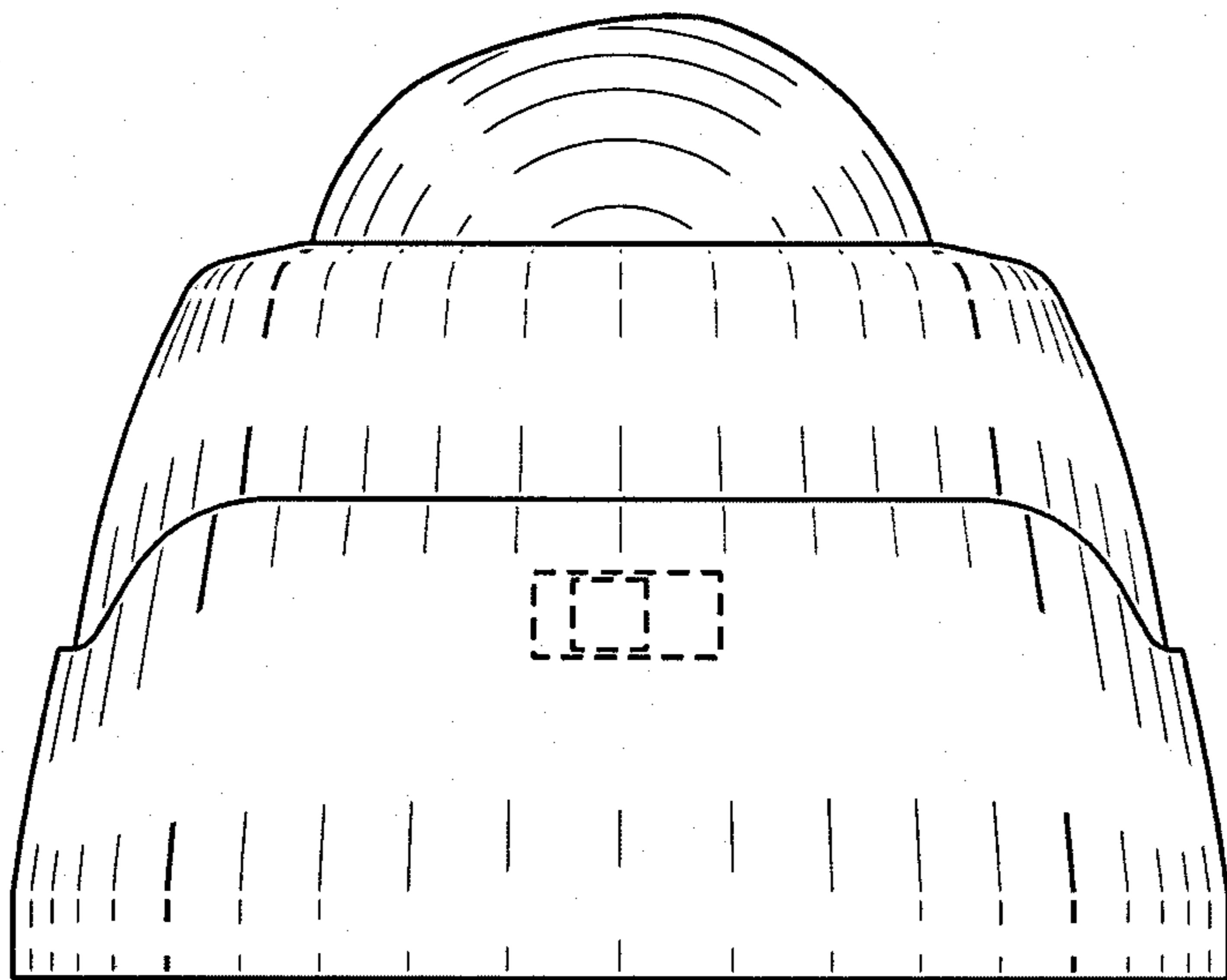


FIG. 4

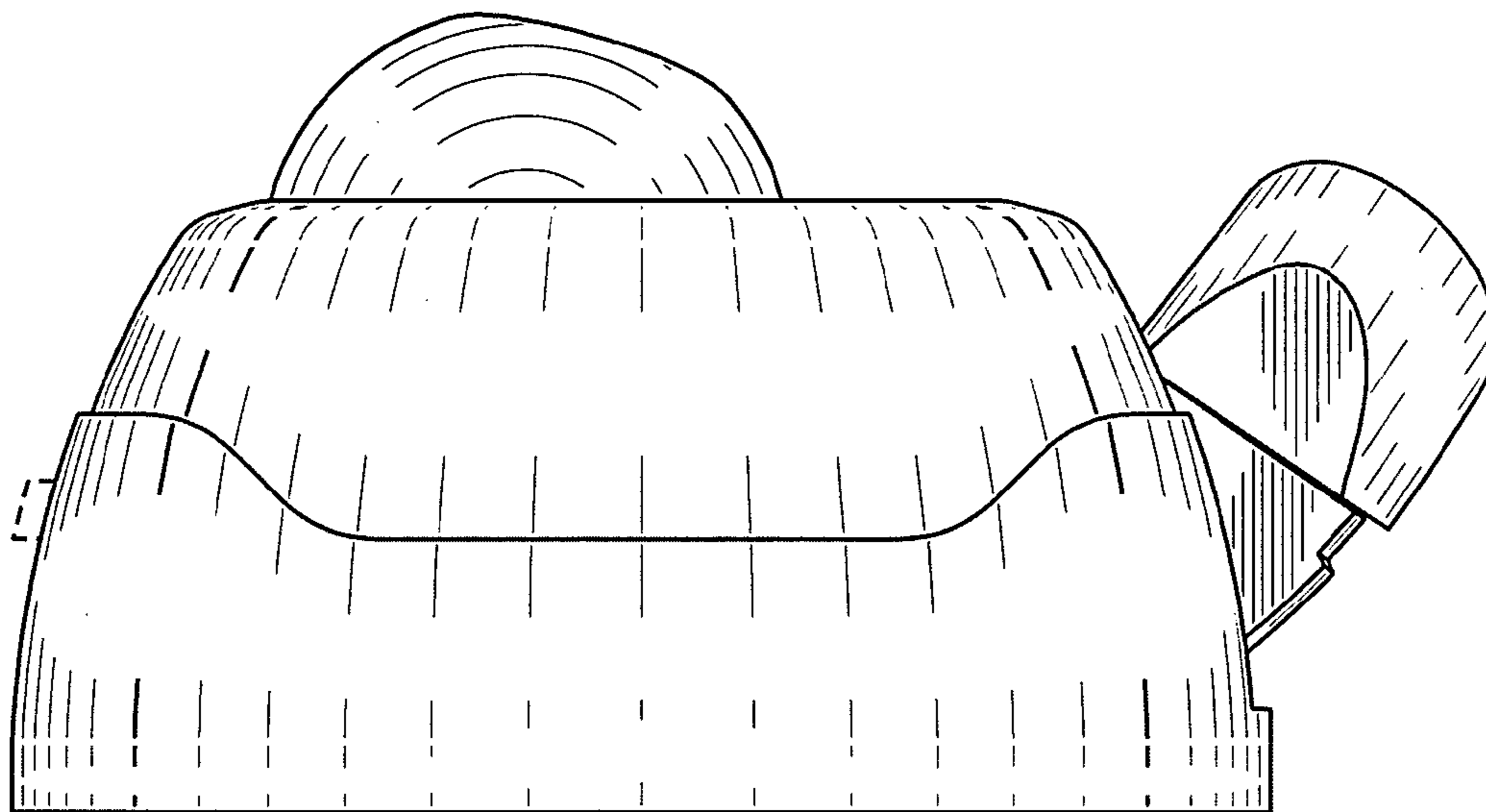


FIG. 5

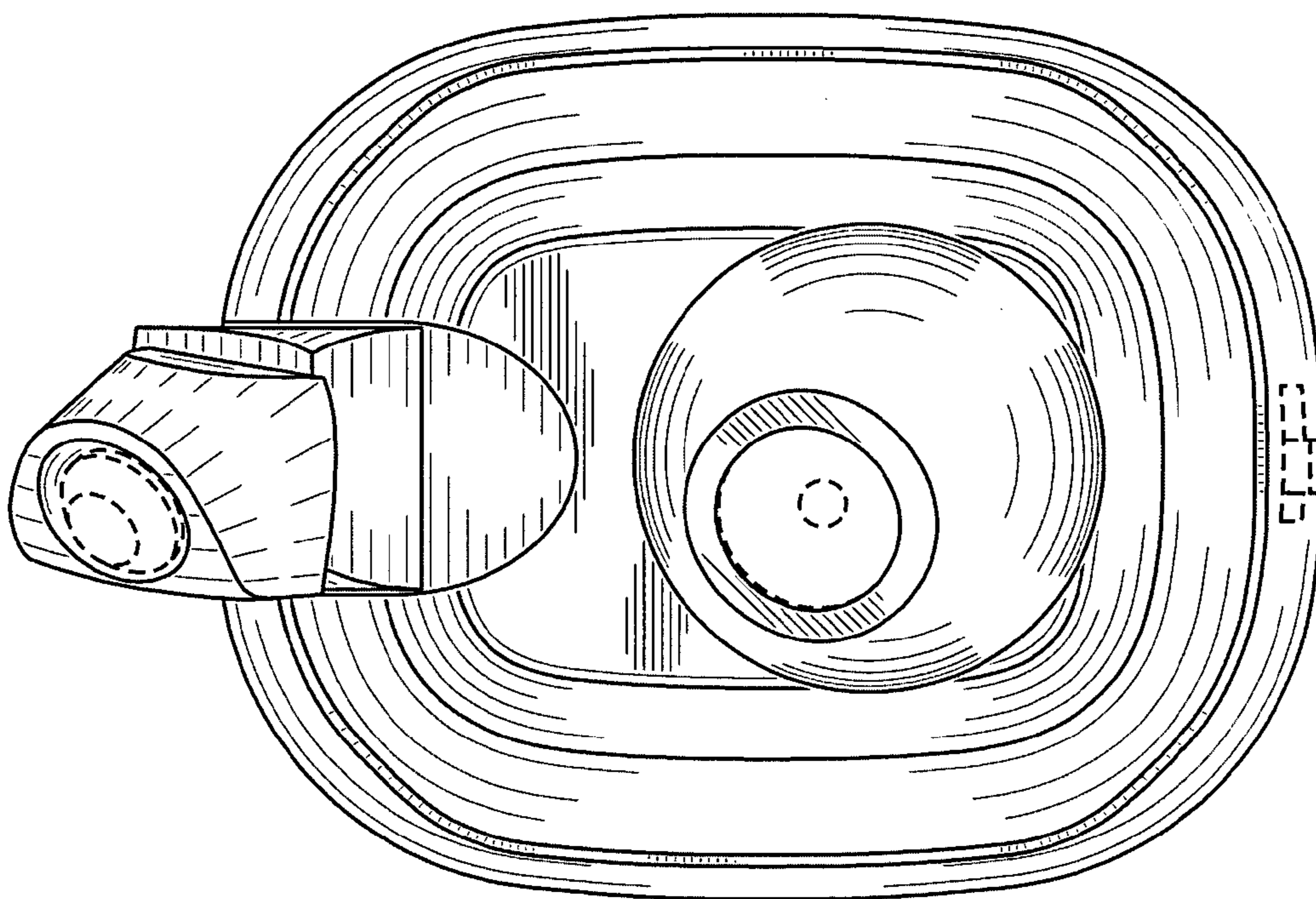


FIG. 6

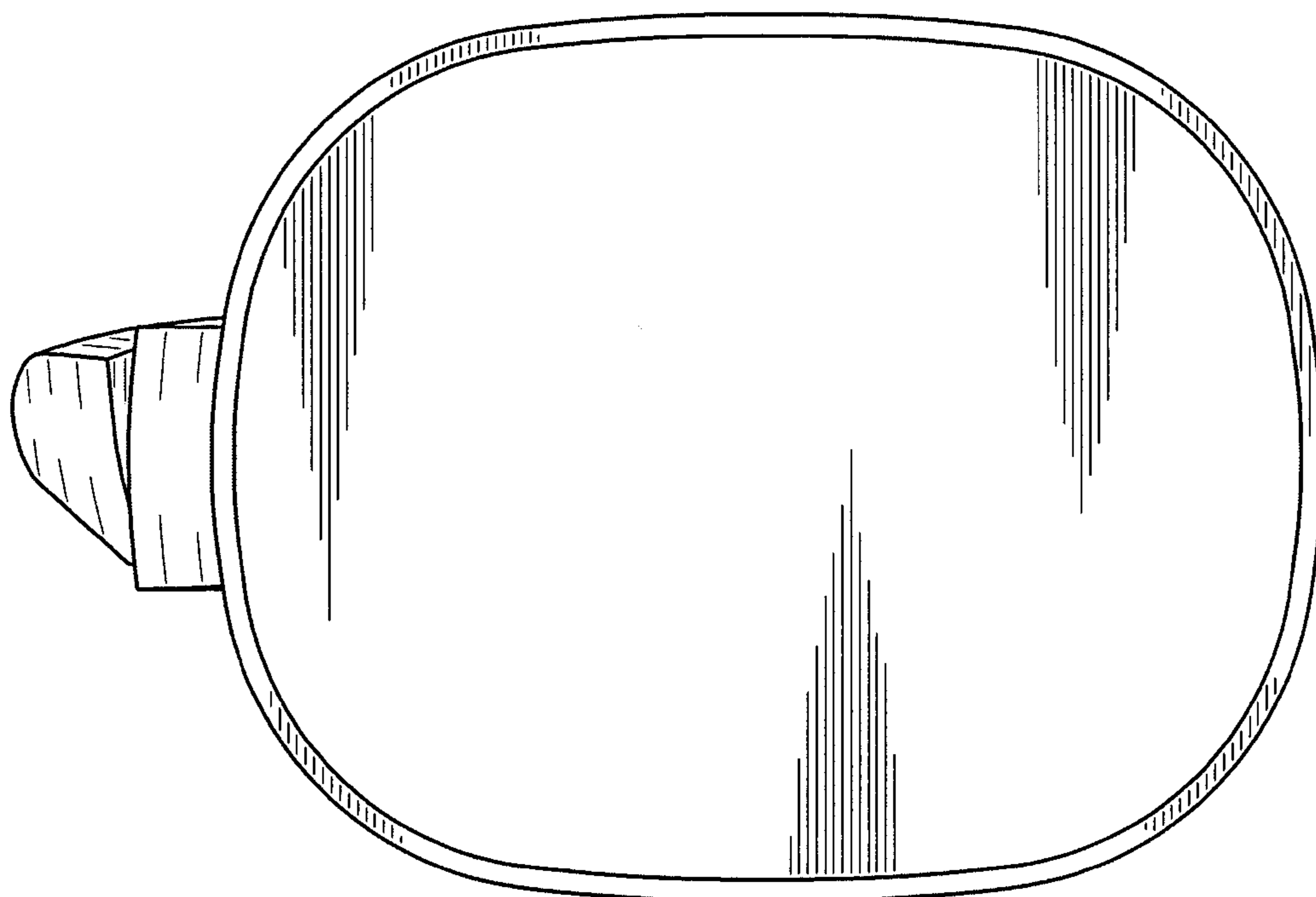


FIG. 7

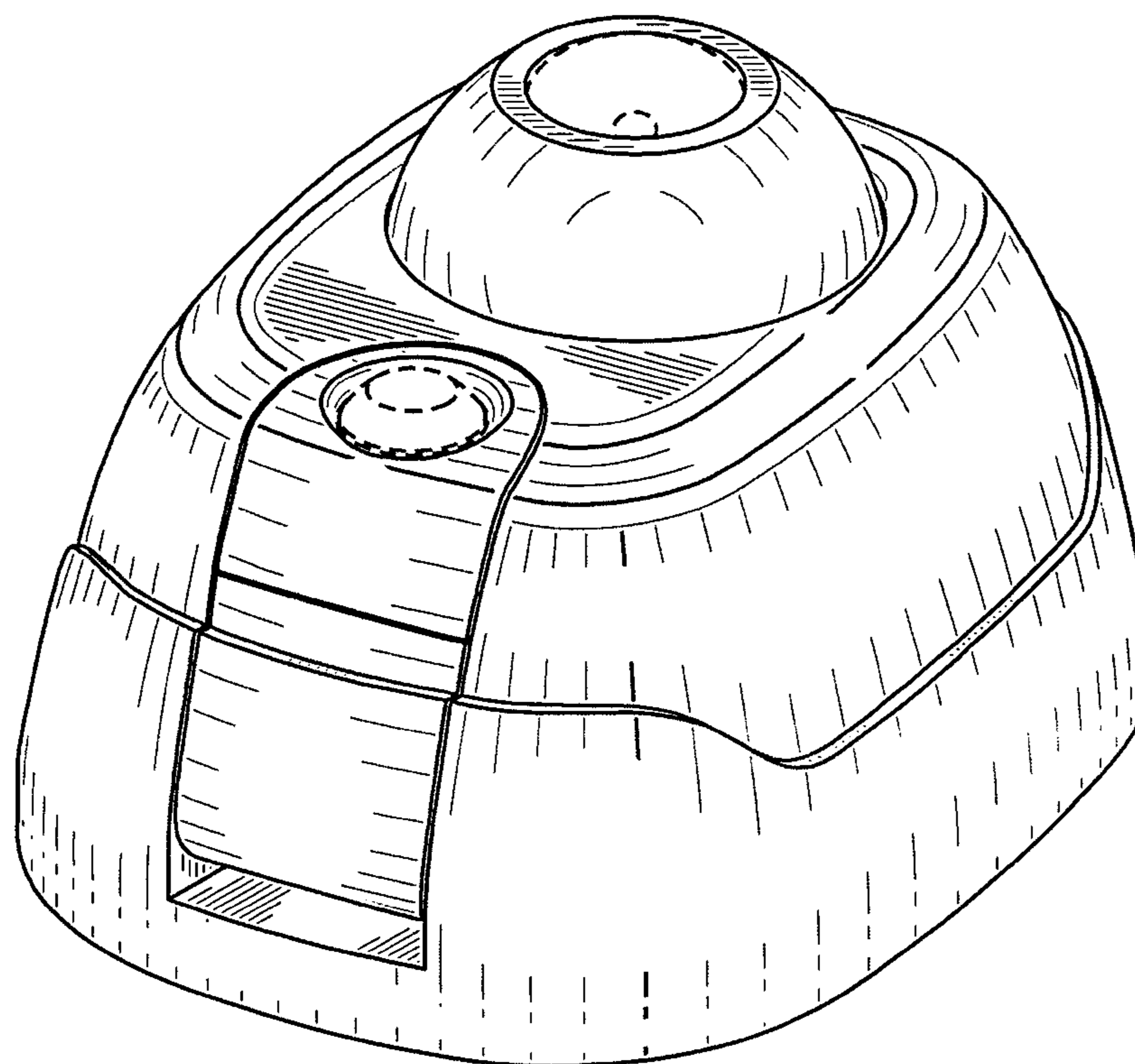


FIG. 8