

US00D693503S

(12) **United States Design Patent**
Rashidi

(10) **Patent No.:** **US D693,503 S**

(45) **Date of Patent:** **** Nov. 12, 2013**

(54) **LED TRACKHEAD ADJUSTABLE LIGHTING
FIXTURE WITH RING HAVING A
CROSS-PLATE**

6,004,005 A * 12/1999 Demshki, Jr. 362/275
D465,867 S * 11/2002 Ward D26/63
D488,878 S * 4/2004 Ward D26/63
D567,979 S * 4/2008 Starck D26/63
7,850,363 B1 * 12/2010 Speidel et al. 362/648

(76) Inventor: **Hamid Rashidi**, Commerce, CA (US)

* cited by examiner

(**) Term: **14 Years**

Primary Examiner — Brian N Vinson

(21) Appl. No.: **29/407,671**

(74) *Attorney, Agent, or Firm* — Thomas I. Rozsa

(22) Filed: **Nov. 30, 2011**

(51) **LOC (9) Cl.** **26-05**

(52) **U.S. Cl.**
USPC **D26/63**

(58) **Field of Classification Search**
USPC D26/24, 60–66, 72, 85, 92, 113,
D26/118–119; 362/89, 217.01, 217.02,
362/217.1, 217.14, 217.16, 220, 257,
362/268–69, 275, 277, 282, 285, 310, 362,
362/368, 370, 382, 404, 418, 425, 427, 432,
362/457, 804, 549.04, 648

See application file for complete search history.

(57) **CLAIM**

The ornamental design for an LED trackhead adjustable lighting fixture with ring having a cross-plate, as shown and described.

DESCRIPTION

FIG. 1 is a top perspective view of an LED trackhead adjustable lighting fixture with ring having a cross-plate showing my new design;

FIG. 2 is a side perspective view thereof, with the ring having a cross-plate section tilted at an upward angle relative to the canister portion;

FIG. 3 is a front elevational view thereof;

FIG. 4 is a rear elevational view thereof;

FIG. 5 is a right side elevational view thereof;

FIG. 6 is a left side elevational view thereof;

FIG. 7 is a top plan view thereof; and,

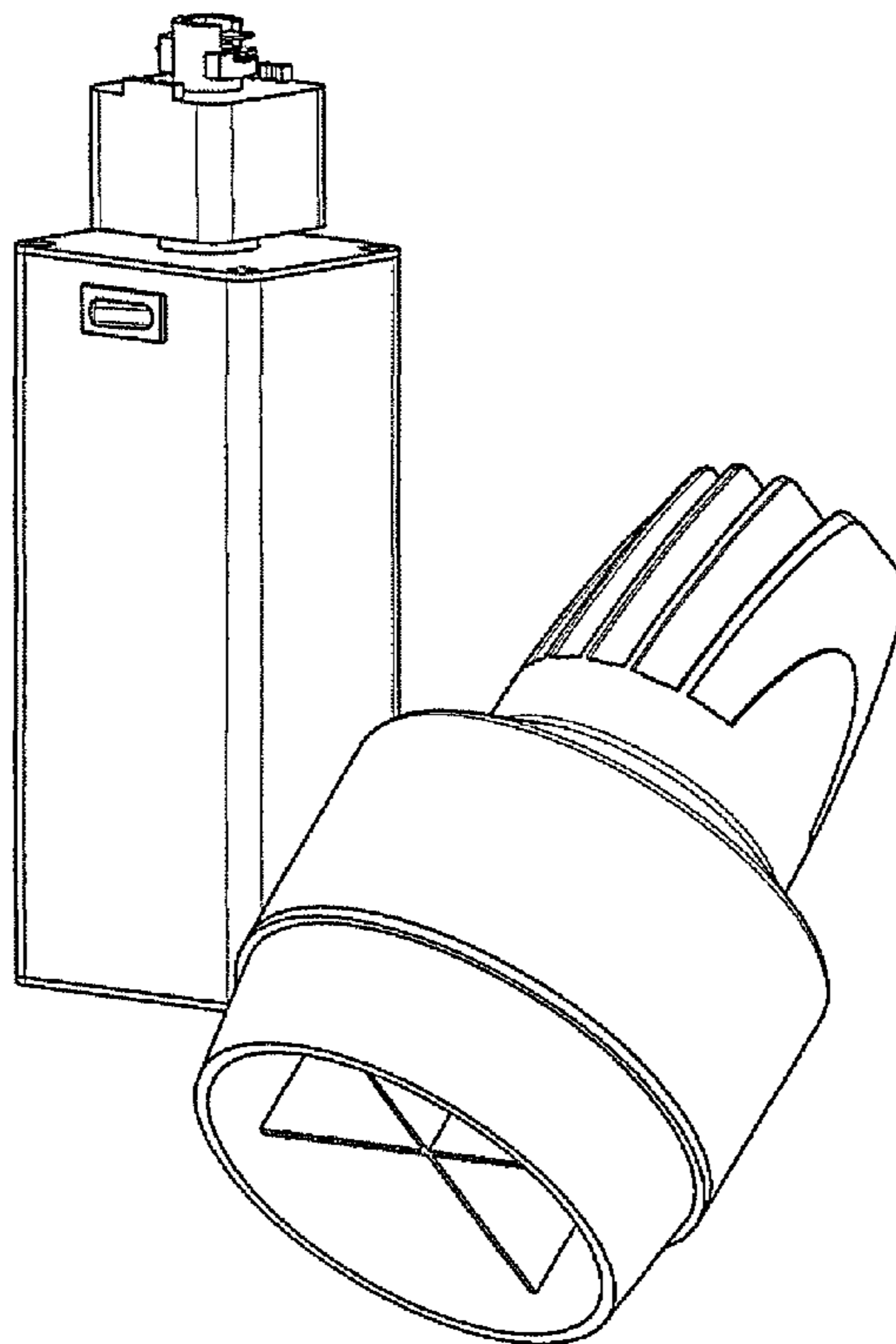
FIG. 8 is bottom plan view thereof.

(56) **References Cited**

U.S. PATENT DOCUMENTS

D287,413 S * 12/1986 Kusmer et al. D26/65
4,814,955 A * 3/1989 Price 362/275
D318,740 S * 7/1991 Layne D26/63
D323,565 S * 1/1992 Woodgate D26/63
D326,162 S * 5/1992 Price D26/63
D376,026 S * 11/1996 Wachter D26/63
5,702,177 A * 12/1997 Lin 362/648
D402,384 S * 12/1998 Chen D26/63

1 Claim, 8 Drawing Sheets



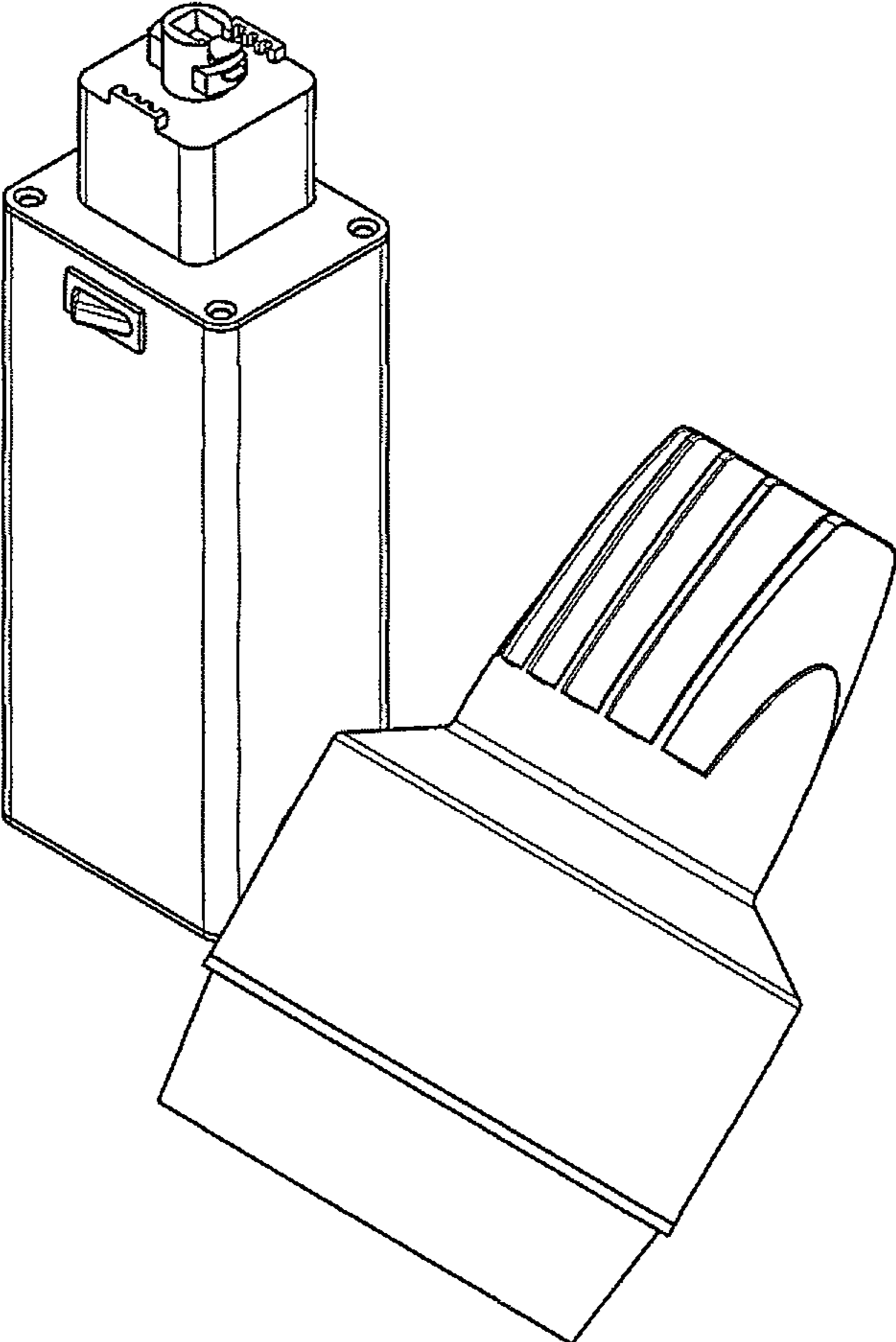


FIG.1

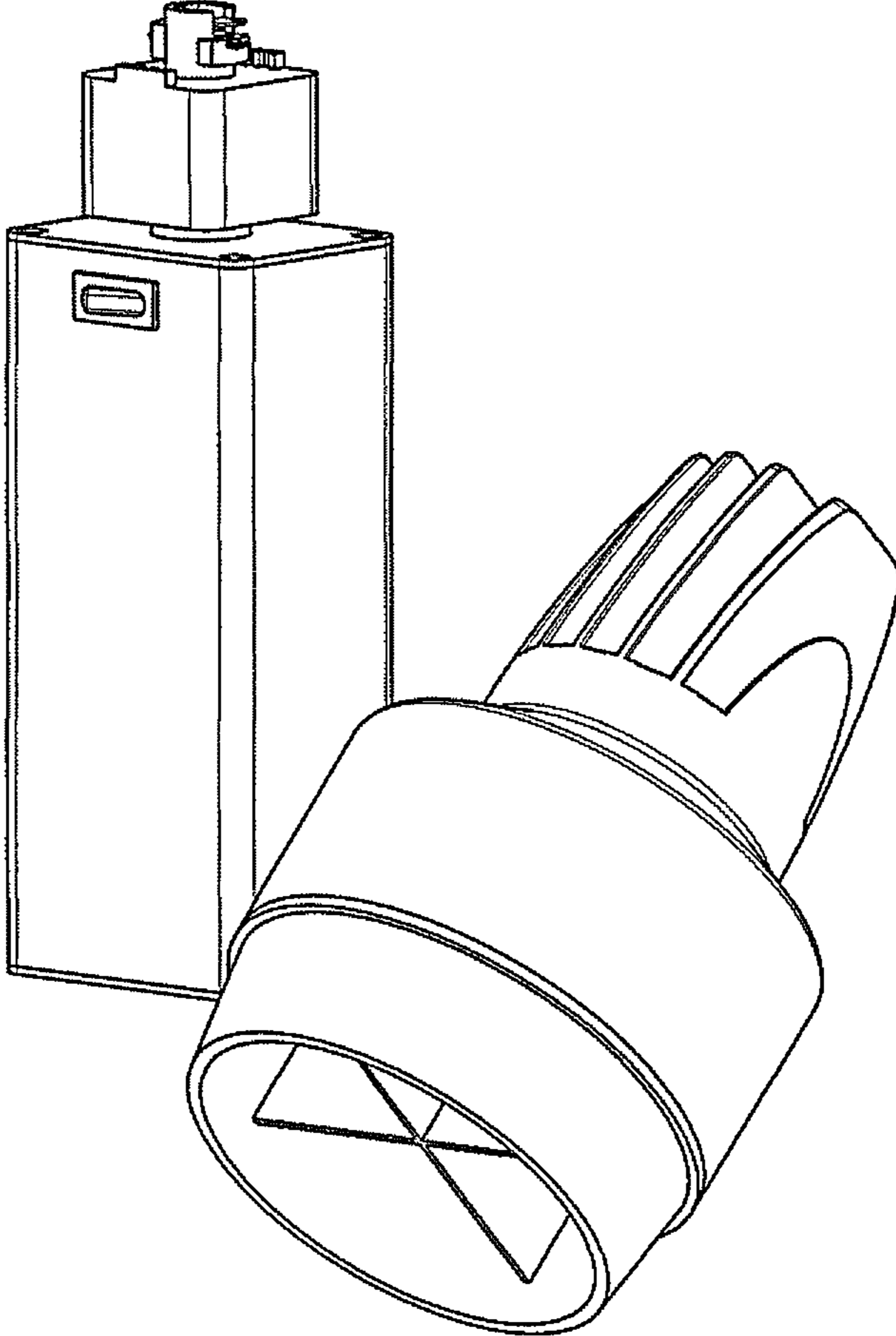


FIG.2

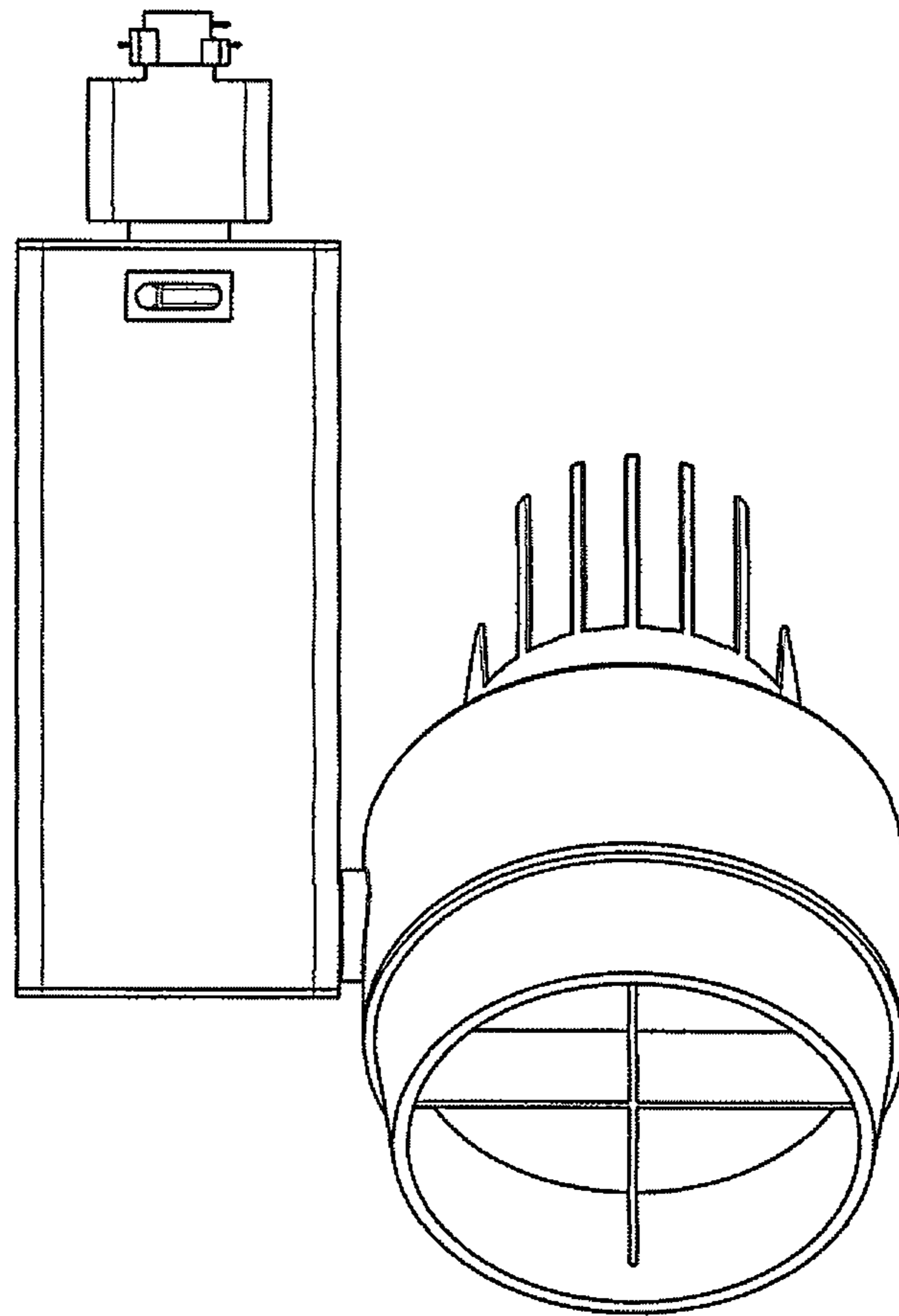


FIG. 3

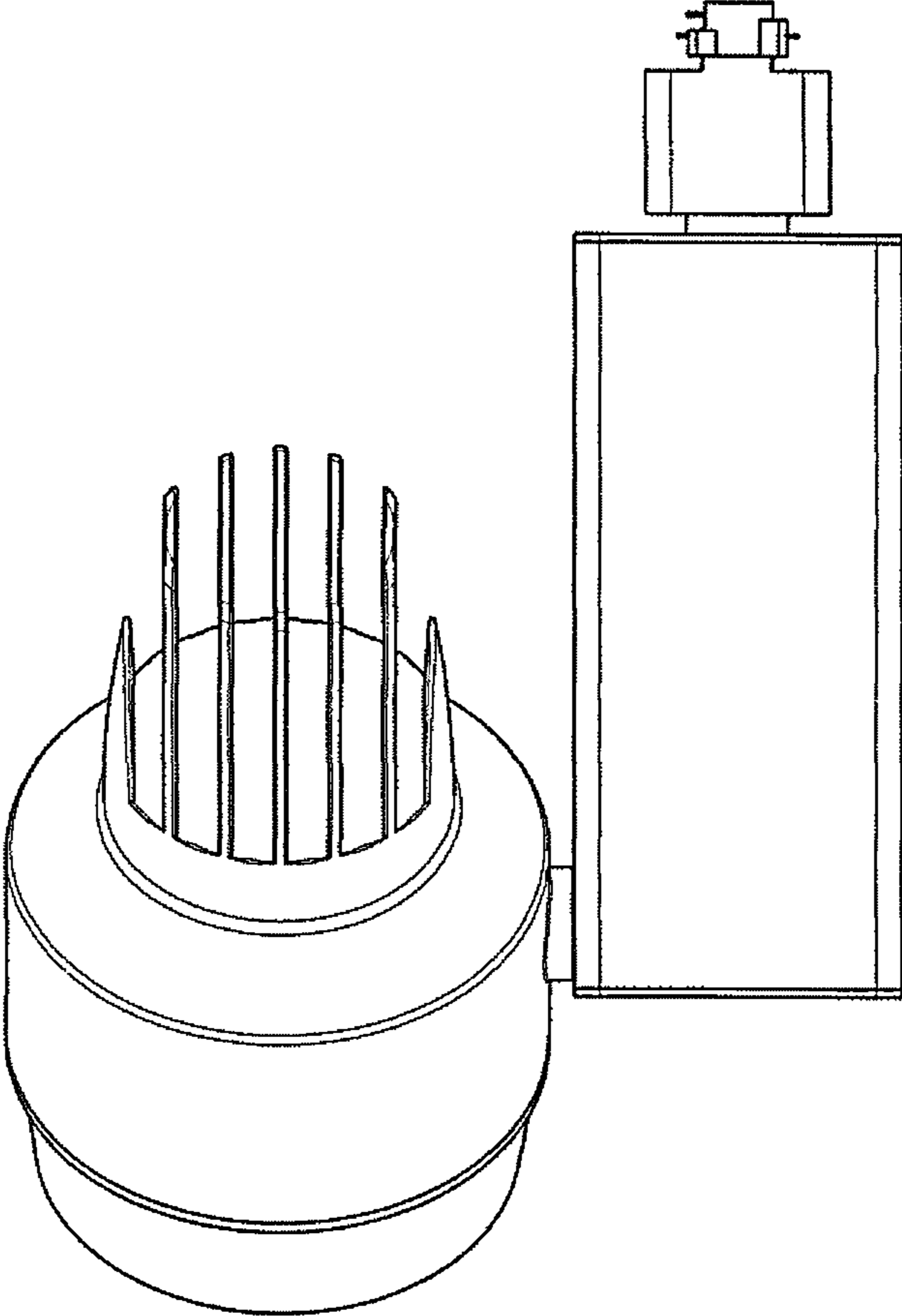


FIG.4

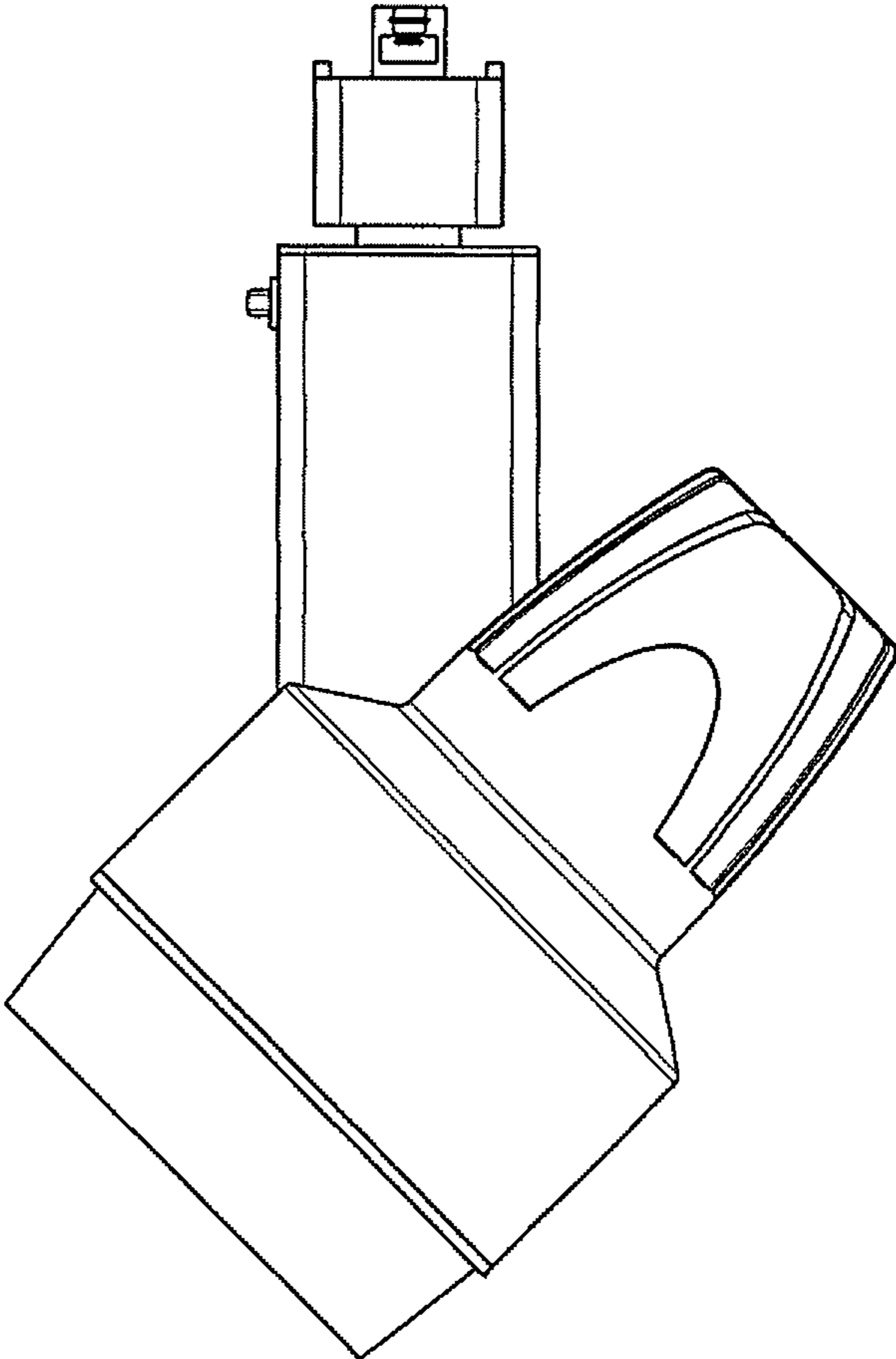


FIG.5

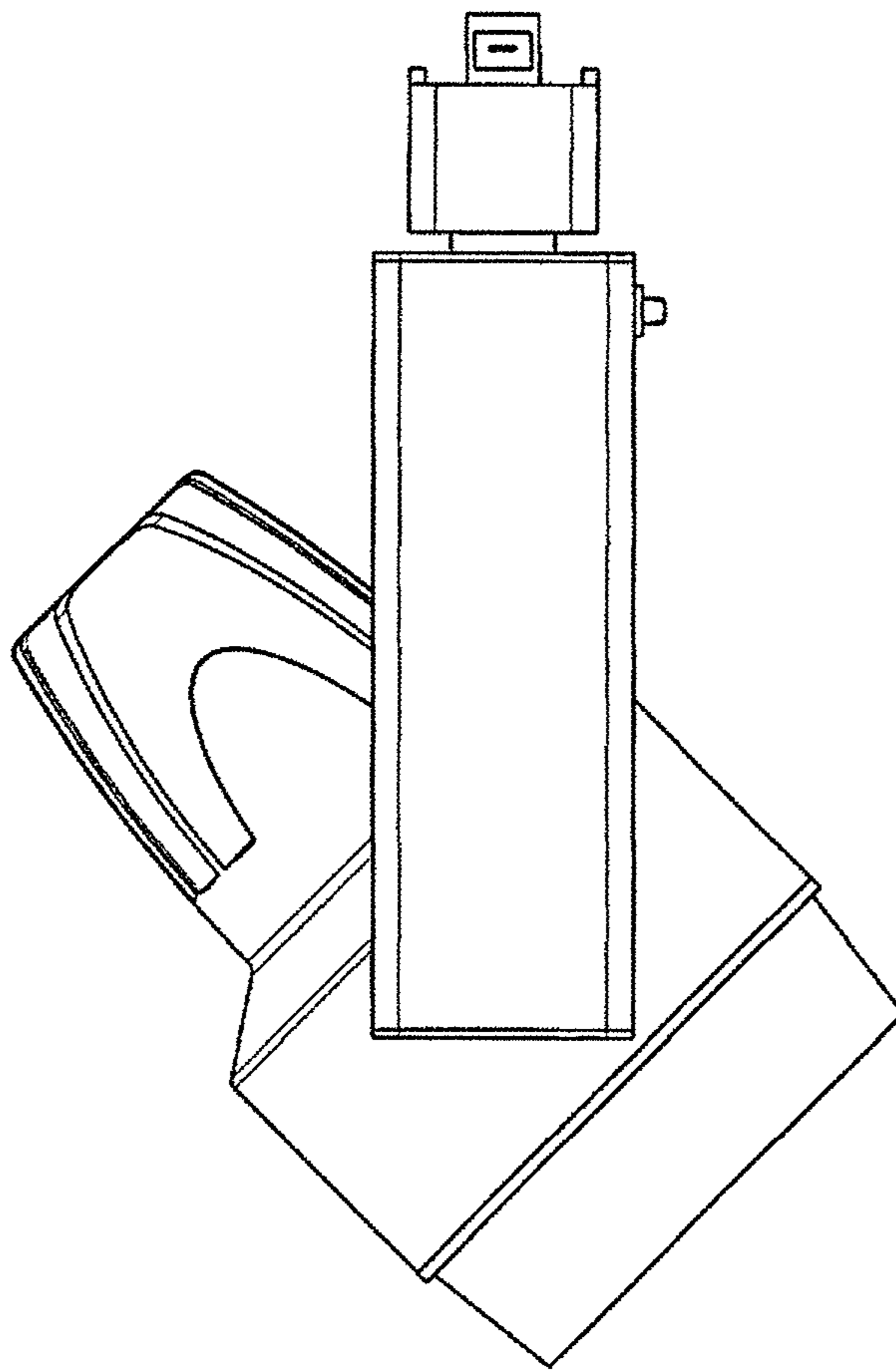


FIG. 6

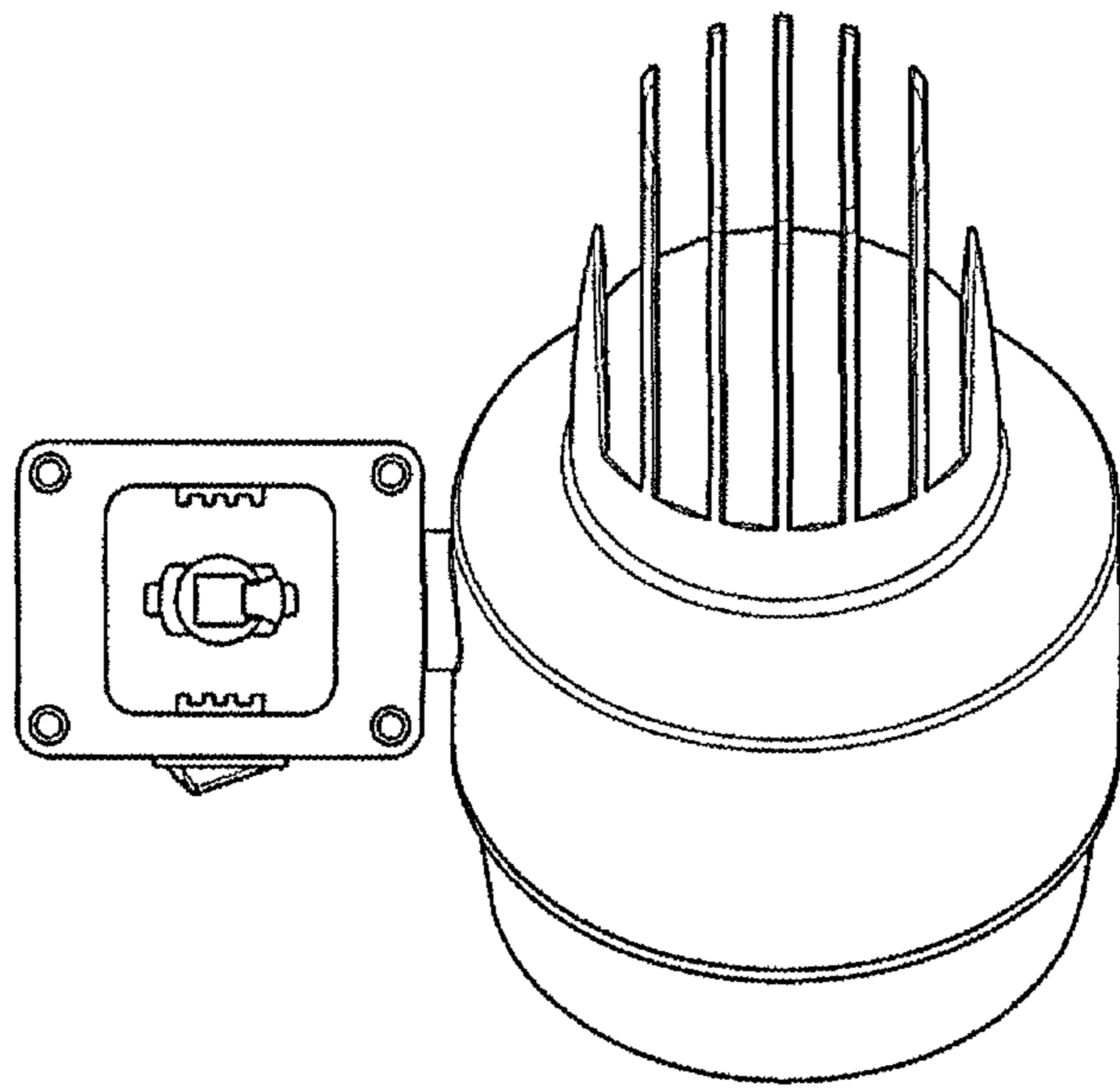


FIG. 7

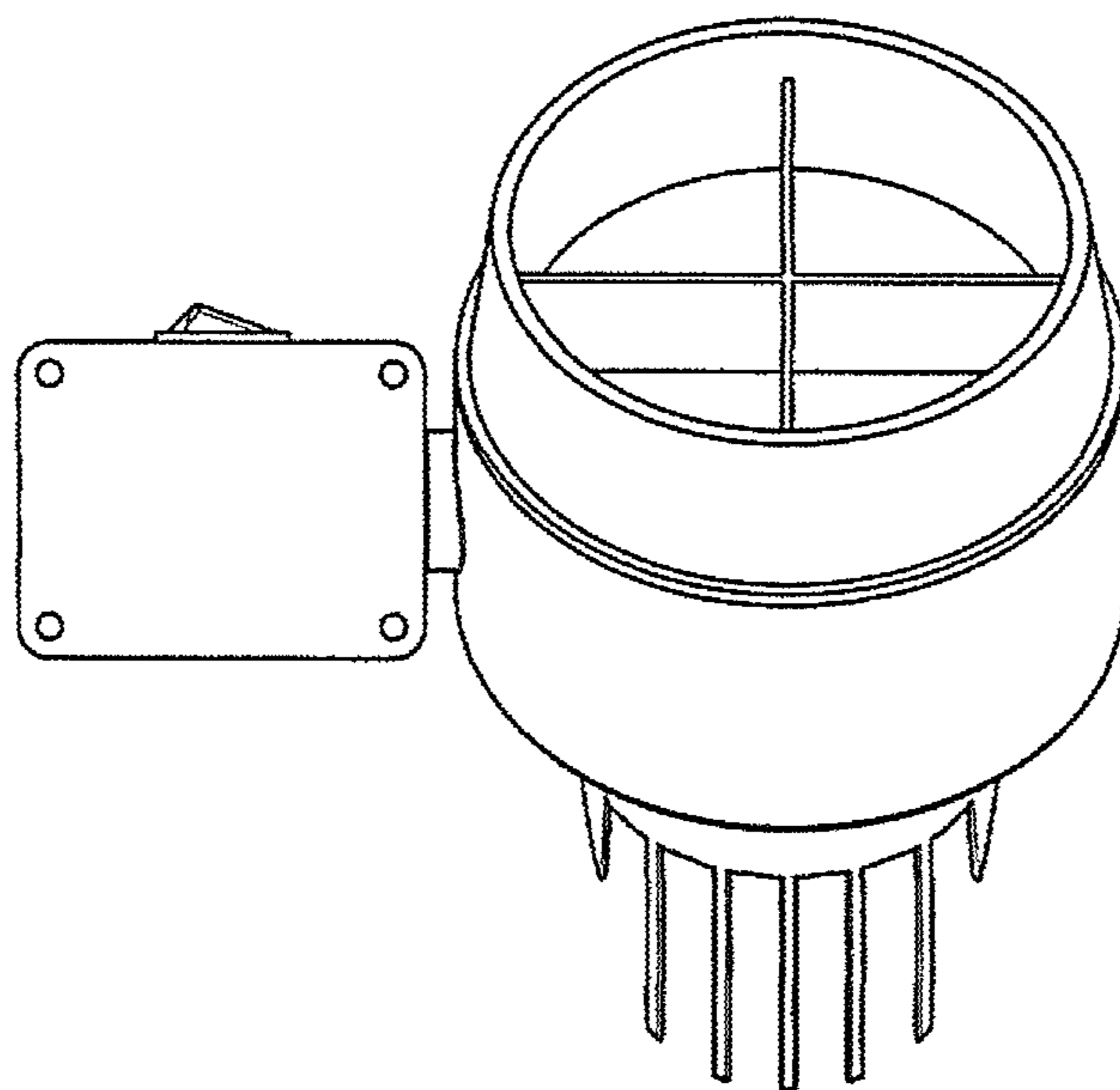


FIG. 8