



US00D693502S

(12) **United States Design Patent**
Rashidi

(10) **Patent No.:** **US D693,502 S**

(45) **Date of Patent:** **** Nov. 12, 2013**

(54) **LED TRACKHEAD ADJUSTABLE LIGHTING
FIXTURE WITH BAFFLE RING**

(76) Inventor: **Hamid Rashidi**, Commerce, CA (US)

(**) Term: **14 Years**

(21) Appl. No.: **29/407,668**

(22) Filed: **Nov. 30, 2011**

(51) **LOC (9) Cl.** **26-05**

(52) **U.S. Cl.**
USPC **D26/63**

(58) **Field of Classification Search**
USPC D26/24, 60-66, 72, 85, 92, 113,
D26/118-119; 362/89, 217.01, 217.02,
362/217.1, 217.14, 217.16, 220, 257,
362/268-69, 275, 277, 282, 285, 310, 362,
362/368, 370, 382, 404, 418, 425, 427, 432,
362/457, 804, 549.04, 648

See application file for complete search history.

(56) **References Cited**

U.S. PATENT DOCUMENTS

D287,413 S *	12/1986	Kusmer et al.	D26/65
4,814,955 A *	3/1989	Price	362/275
D318,740 S *	7/1991	Layne	D26/63
D323,565 S *	1/1992	Woodgate	D26/63
D326,162 S *	5/1992	Price	D26/63

D376,026 S *	11/1996	Wachter	D26/63
5,702,177 A *	12/1997	Lin	362/648
D402,384 S *	12/1998	Chen	D26/63
6,004,005 A *	12/1999	Demshki, Jr.	362/275
D465,867 S *	11/2002	Ward	D26/63
D488,878 S *	4/2004	Ward	D26/63
D567,979 S *	4/2008	Starck	D26/63
7,850,363 B1 *	12/2010	Speidel et al.	362/648

* cited by examiner

Primary Examiner — Brian N Vinson

(74) *Attorney, Agent, or Firm* — Thomas I. Rozsa

(57) **CLAIM**

The ornamental design for an LED trackhead adjustable lighting fixture with baffle ring, as shown and described.

DESCRIPTION

FIG. 1 is a top perspective view of an LED trackhead adjustable lighting fixture with baffle ring showing my new design; FIG. 2 is a side perspective view thereof, with the baffle ring section tilted at an upward angle relative to the canister portion;

FIG. 3 is a front elevational view thereof;

FIG. 4 is a rear elevational view thereof;

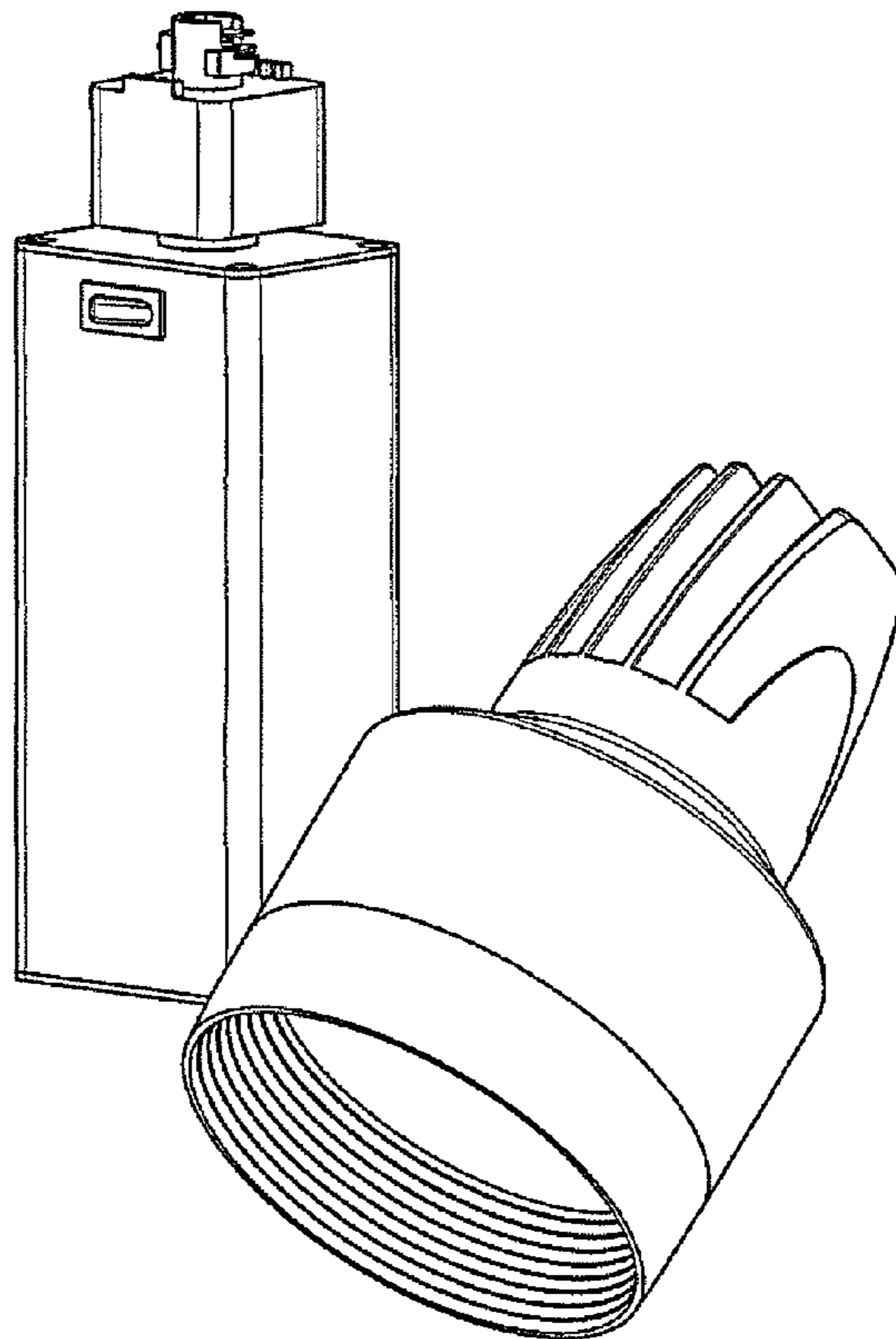
FIG. 5 is a right side elevational view thereof;

FIG. 6 is a left side elevational view thereof;

FIG. 7 is a top plan view thereof; and,

FIG. 8 is bottom plan view thereof.

1 Claim, 8 Drawing Sheets



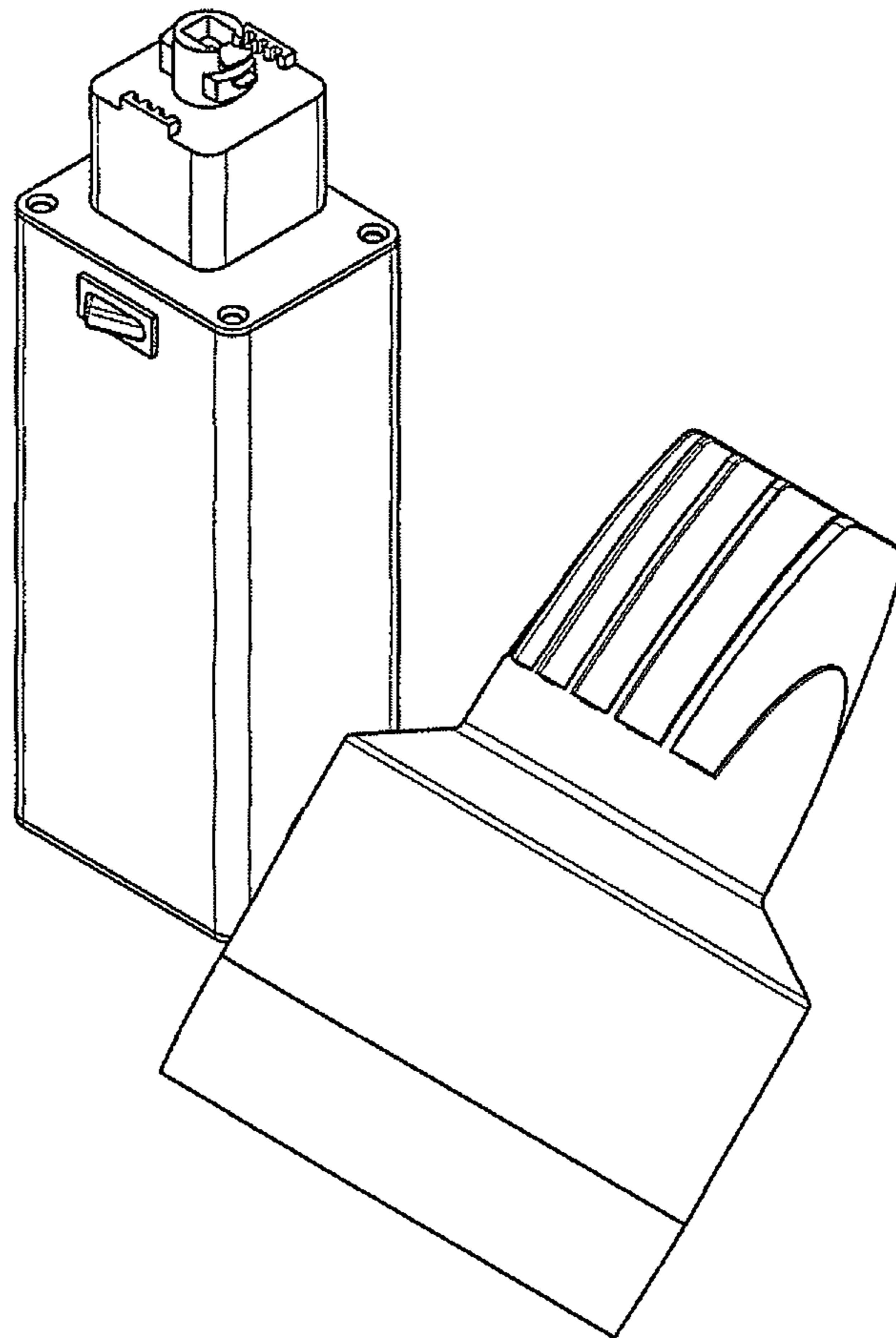


FIG. 1

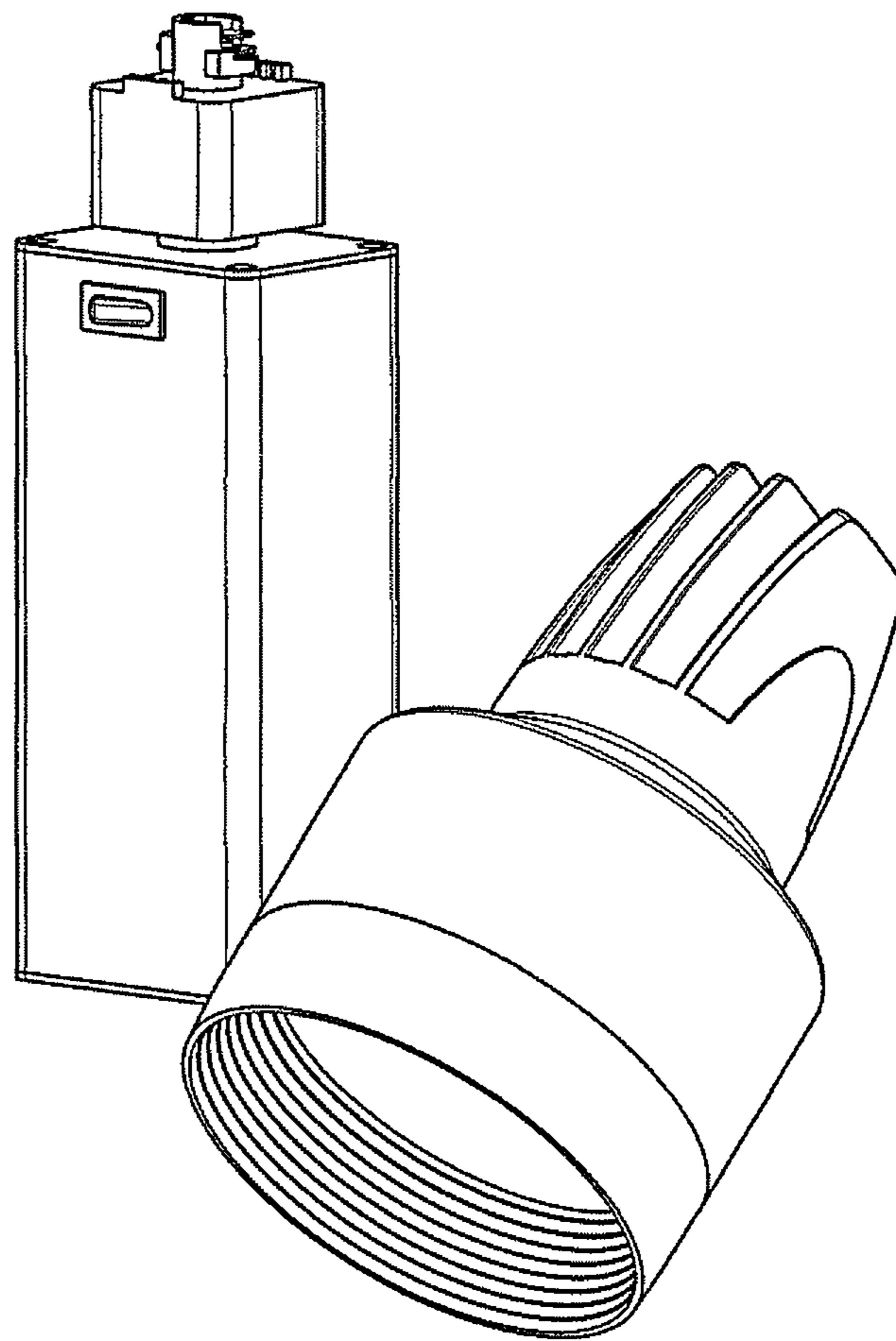


FIG. 2

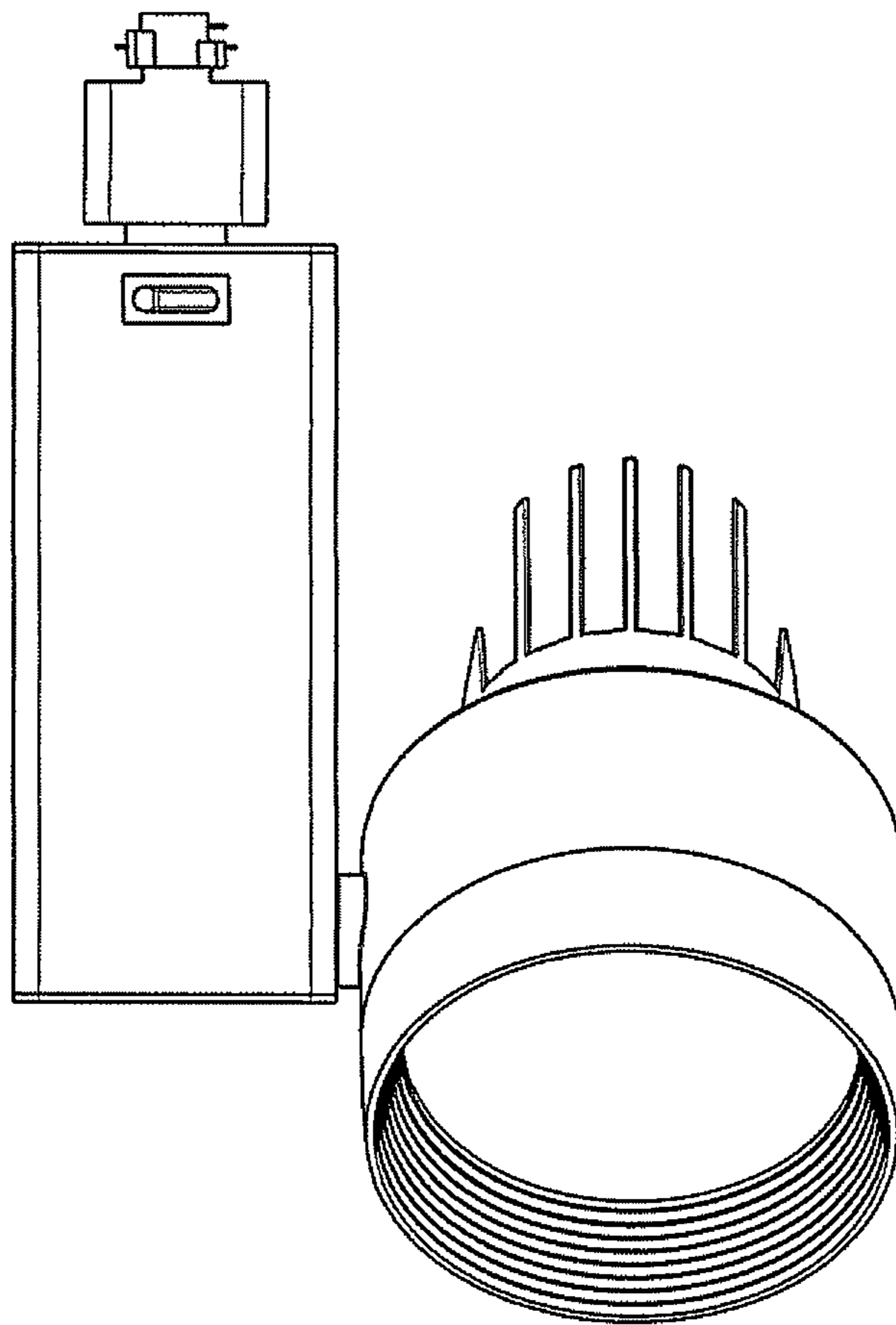


FIG. 3

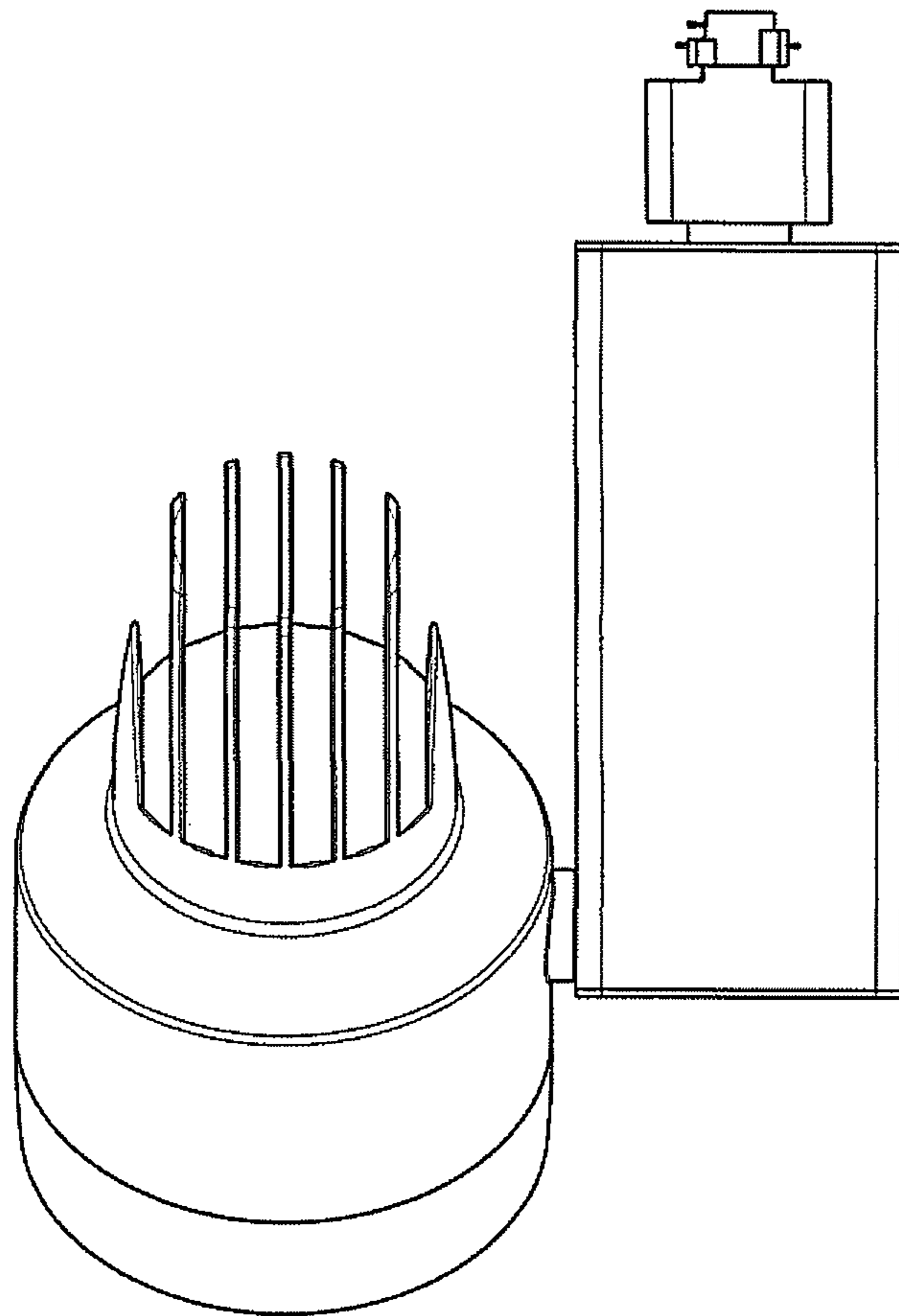


FIG. 4

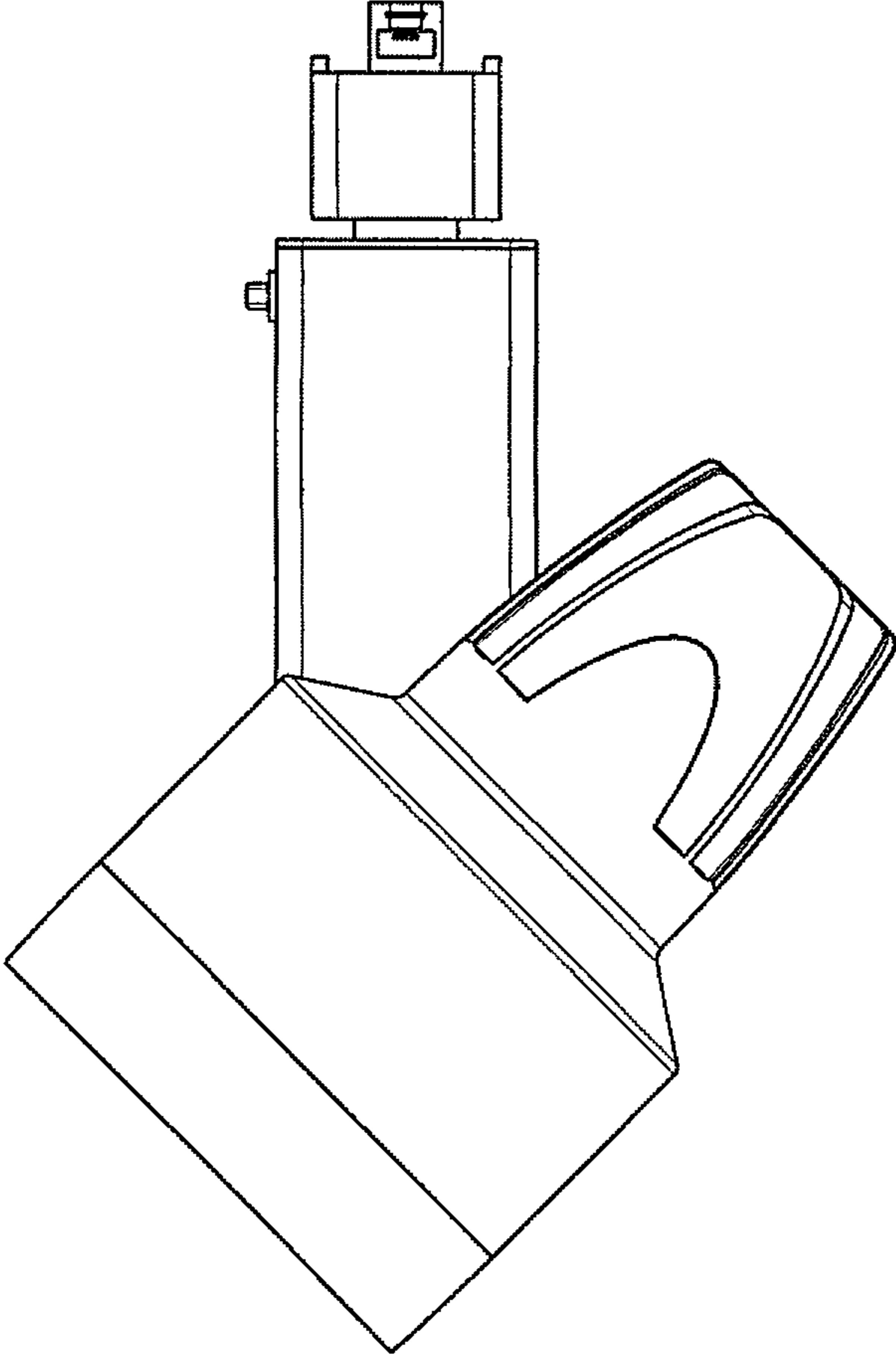


FIG.5

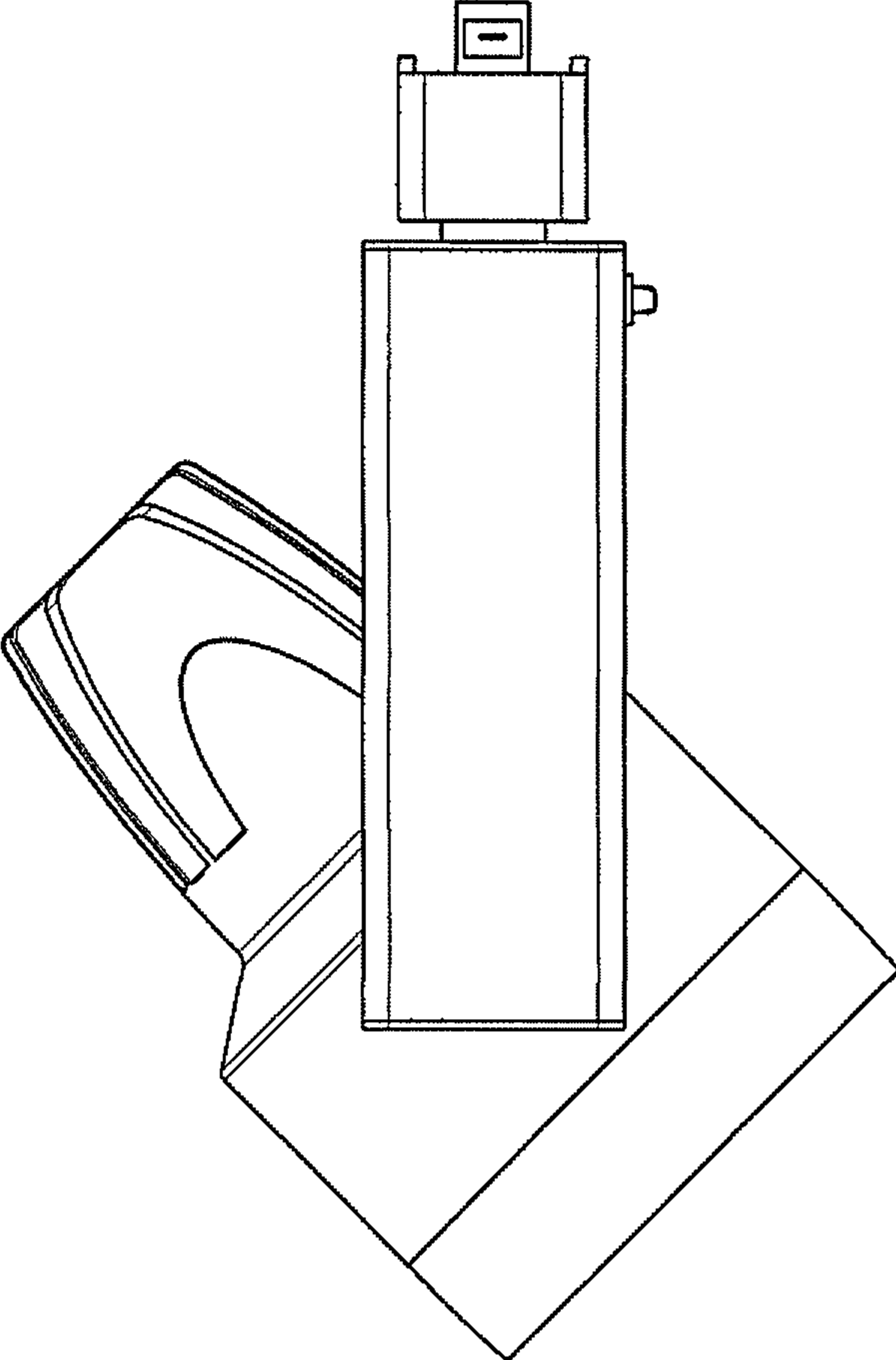


FIG. 6

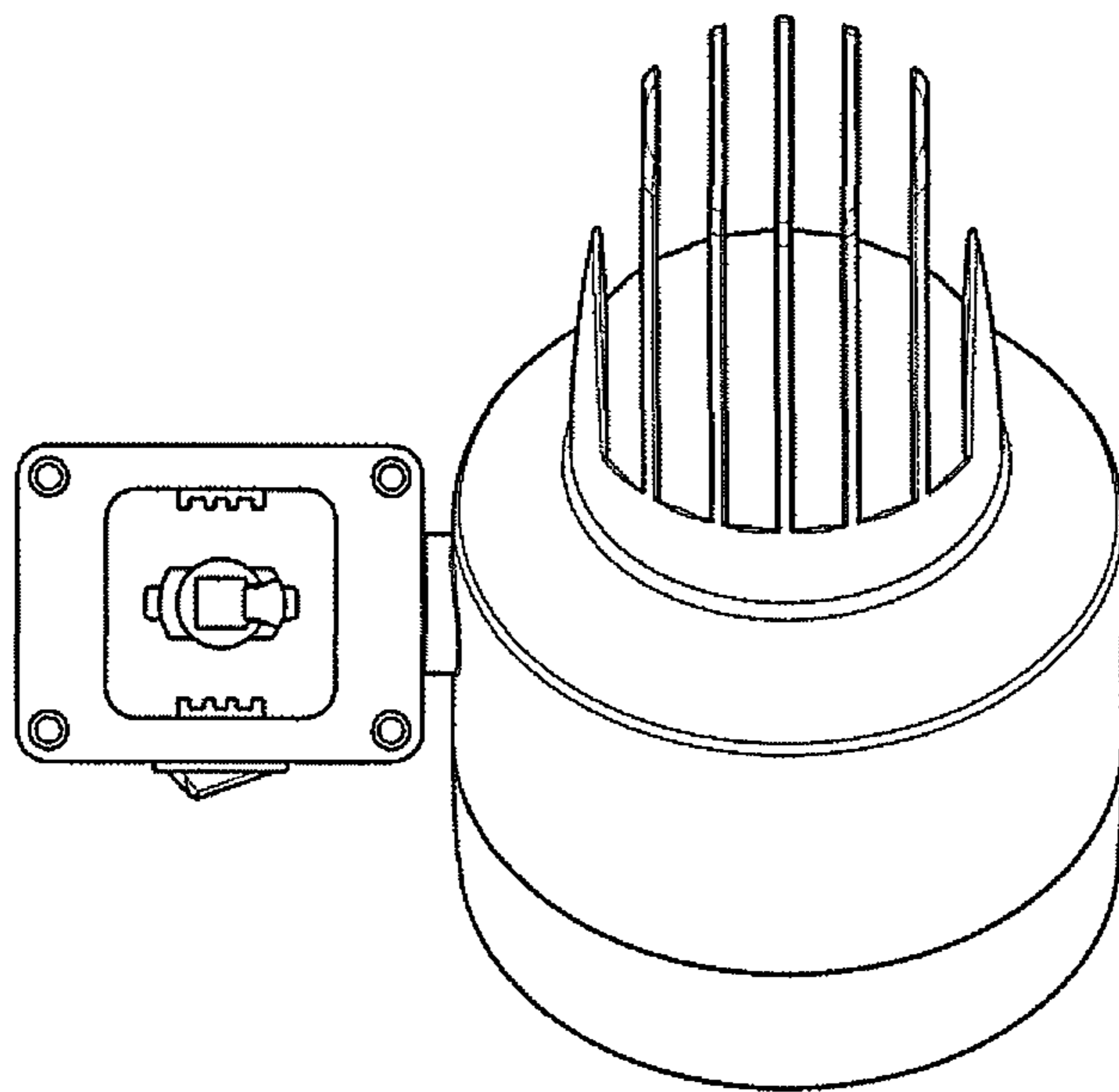


FIG. 7

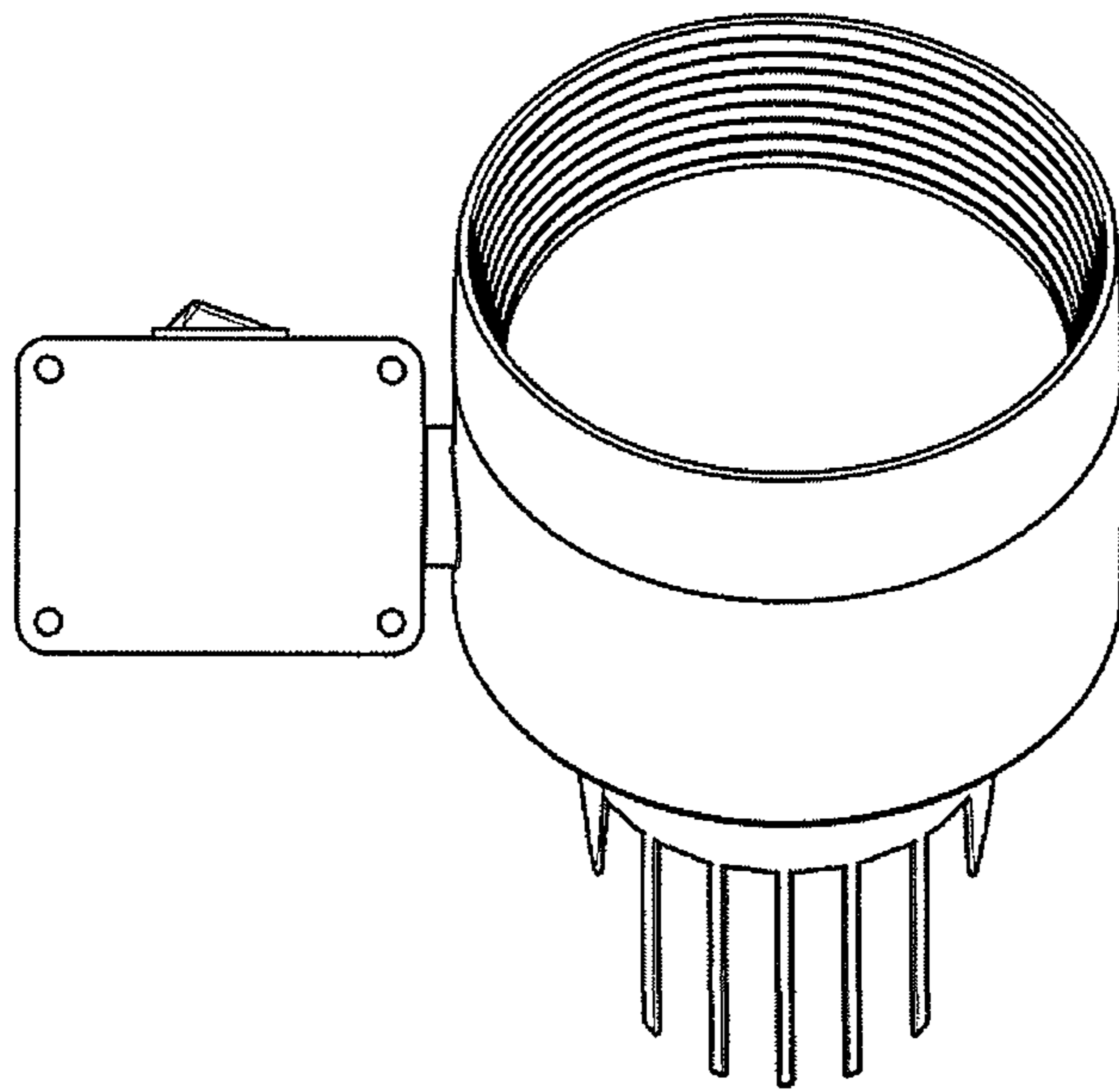


FIG. 8