



US00D693501S

(12) **United States Design Patent**
Kochman

(10) **Patent No.:** **US D693,501 S**

(45) **Date of Patent:** **** Nov. 12, 2013**

(54) **LED BASED HAZARDOUS AREA FLOOD LIGHT**

D650,505 S * 12/2011 Oka D26/63
D666,346 S * 8/2012 Gebhard et al. D26/63
D674,949 S * 1/2013 Georgitsis et al. D26/63

(75) Inventor: **Ken Kochman**, Arlington Heights, IL (US)

* cited by examiner

(73) Assignee: **Excelitas Technologies Corp.**, Waltham, MA (US)

Primary Examiner — Brian N Vinson

(74) *Attorney, Agent, or Firm* — Peter A. Nieves; Sheehan Phinney Bass + Green PA

(**) Term: **14 Years**

(57) **CLAIM**

I claim the ornamental design for a “LED based hazardous area floodlight,” as shown and described.

(21) Appl. No.: **29/407,031**

DESCRIPTION

(22) Filed: **Nov. 22, 2011**

(51) **LOC (9) Cl.** **06-03**

(52) **U.S. Cl.**

USPC **D26/63**

(58) **Field of Classification Search**

USPC D26/1, 24, 60–66, 72, 85, 92, 113, D26/118–119; 362/89, 217.01, 220, 217.02, 362/217.1, 217.14, 217.16, 257, 268–269, 362/275, 277, 282, 285, 310, 362, 368, 370, 362/382, 404, 418, 425, 427, 432, 433, 457, 362/804

See application file for complete search history.

FIG. 1 is a front perspective view of a LED based hazardous area floodlight showing our new design.

FIG. 2 is a front view of the LED based hazardous area floodlight in FIG. 1

FIG. 3 is a back view of the LED based hazardous area floodlight in FIG. 1.

FIG. 4 is a bottom view of the LED based hazardous area floodlight of FIG. 1 with the U bracket removed.

FIG. 5 is a top view of the LED based hazardous area floodlight of FIG. 1.

FIG. 6 is a bottom view of the LED based hazardous area floodlight of FIG. 1

FIG. 7 is a left-side view of the LED based hazardous area floodlight shown in FIG. 1.

FIG. 8 is a right-side view of the LED based hazardous area floodlight shown in FIG. 1.

FIG. 9 is a perspective view of the LED based hazardous area floodlight of FIG. 1 tilted on the U bracket; and,

FIG. 10 is a side view of the LED based hazardous area floodlight of FIG. 1 tilted on the U bracket.

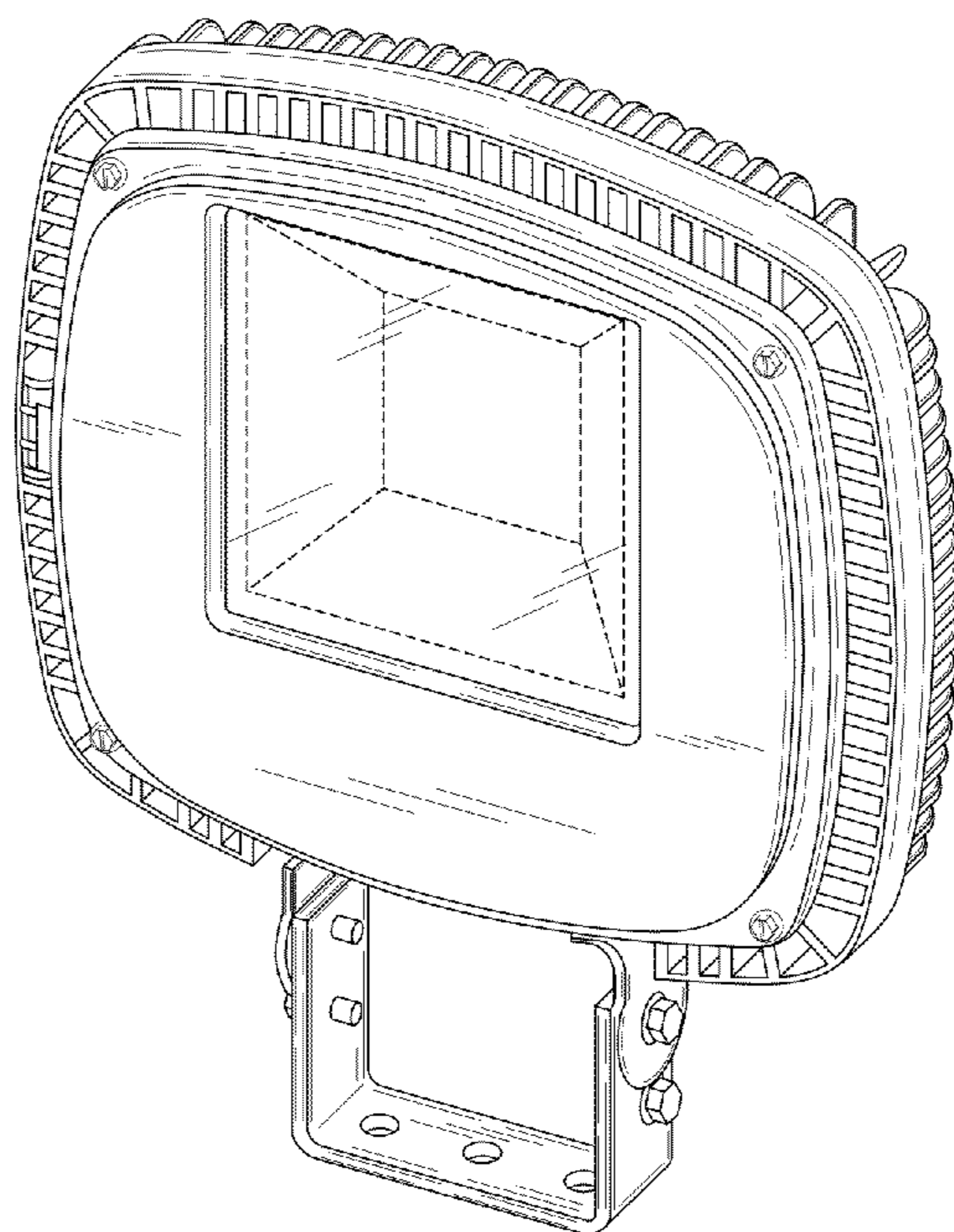
The broken-line disclosure represents portions of the flood light which form no part of the claimed design.

(56) **References Cited**

U.S. PATENT DOCUMENTS

D573,286 S * 7/2008 Zettl D26/63
D597,693 S * 8/2009 Kauffman et al. D26/63
D606,691 S * 12/2009 Lindholm D26/63
D625,870 S * 10/2010 Feigenbaum D26/63
D641,905 S * 7/2011 Janssen D26/63
D645,594 S * 9/2011 Grawe D26/63

1 Claim, 4 Drawing Sheets



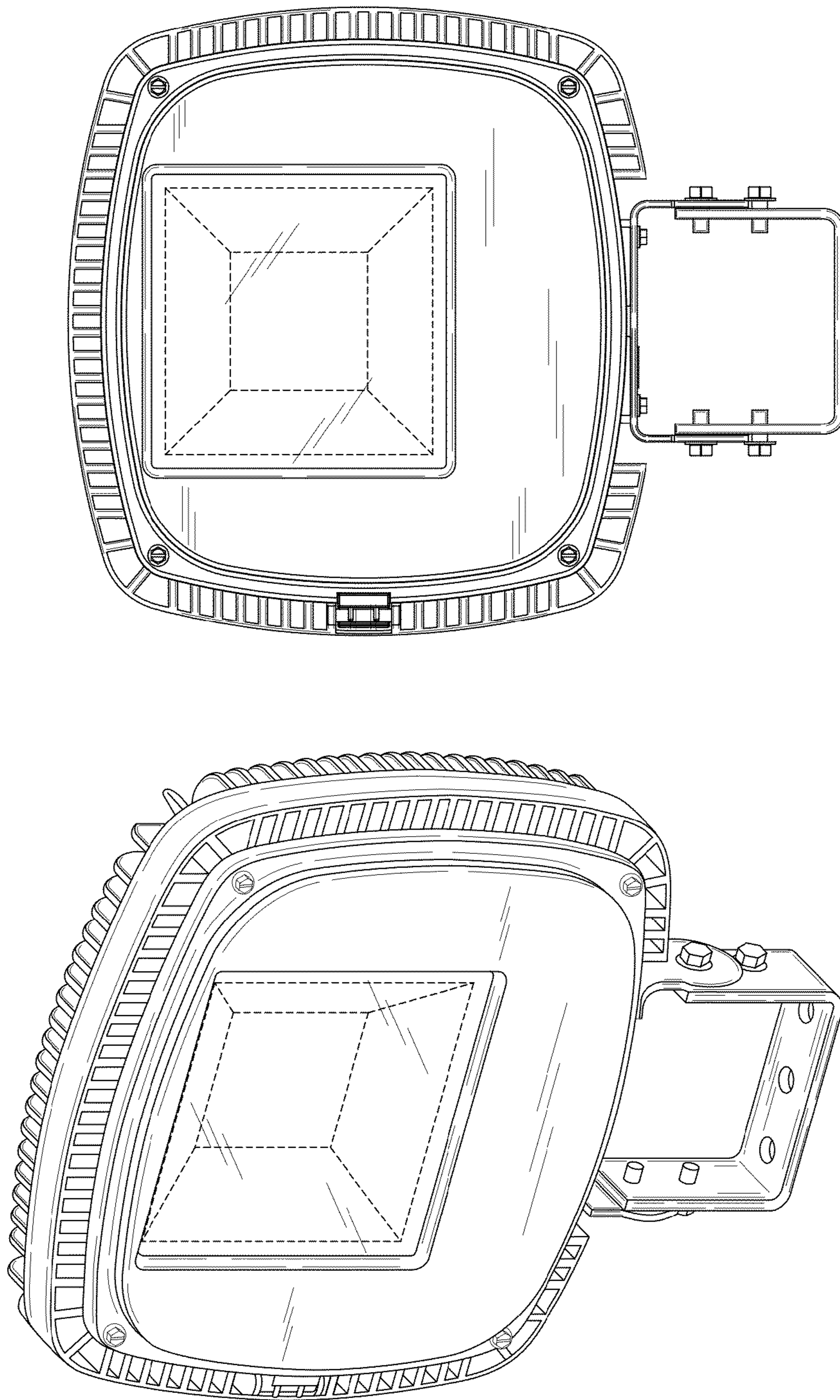


FIG. 2

FIG. 1

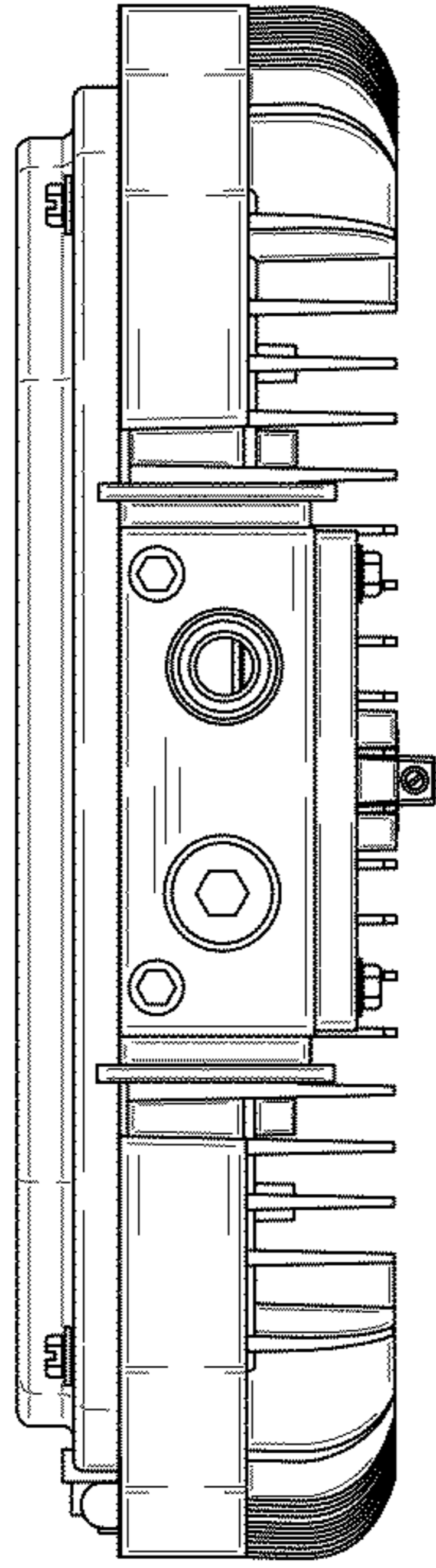


FIG. 4

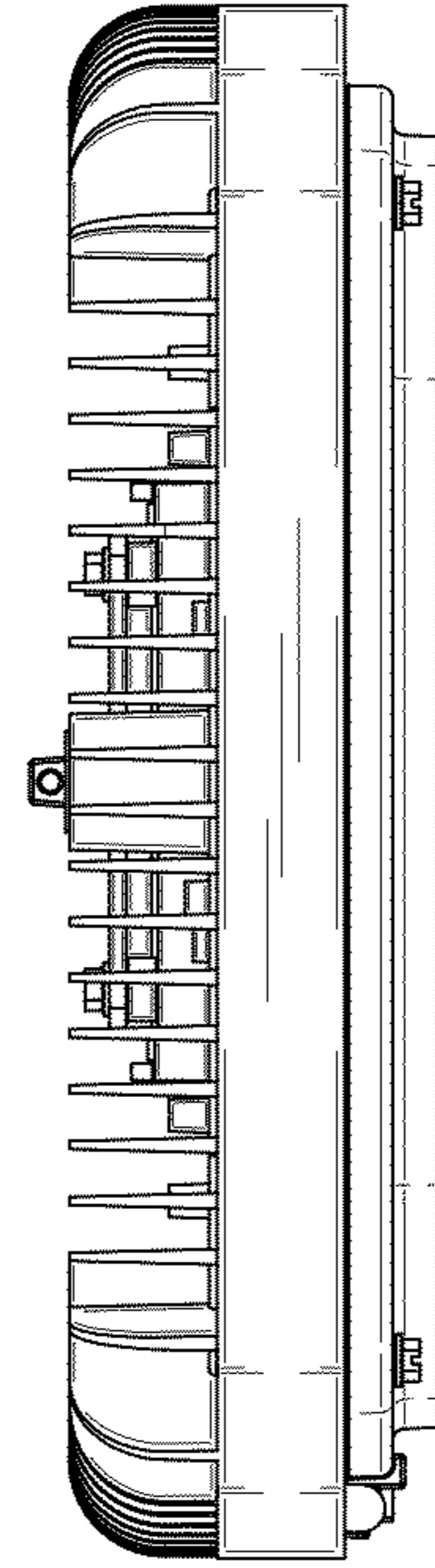


FIG. 5

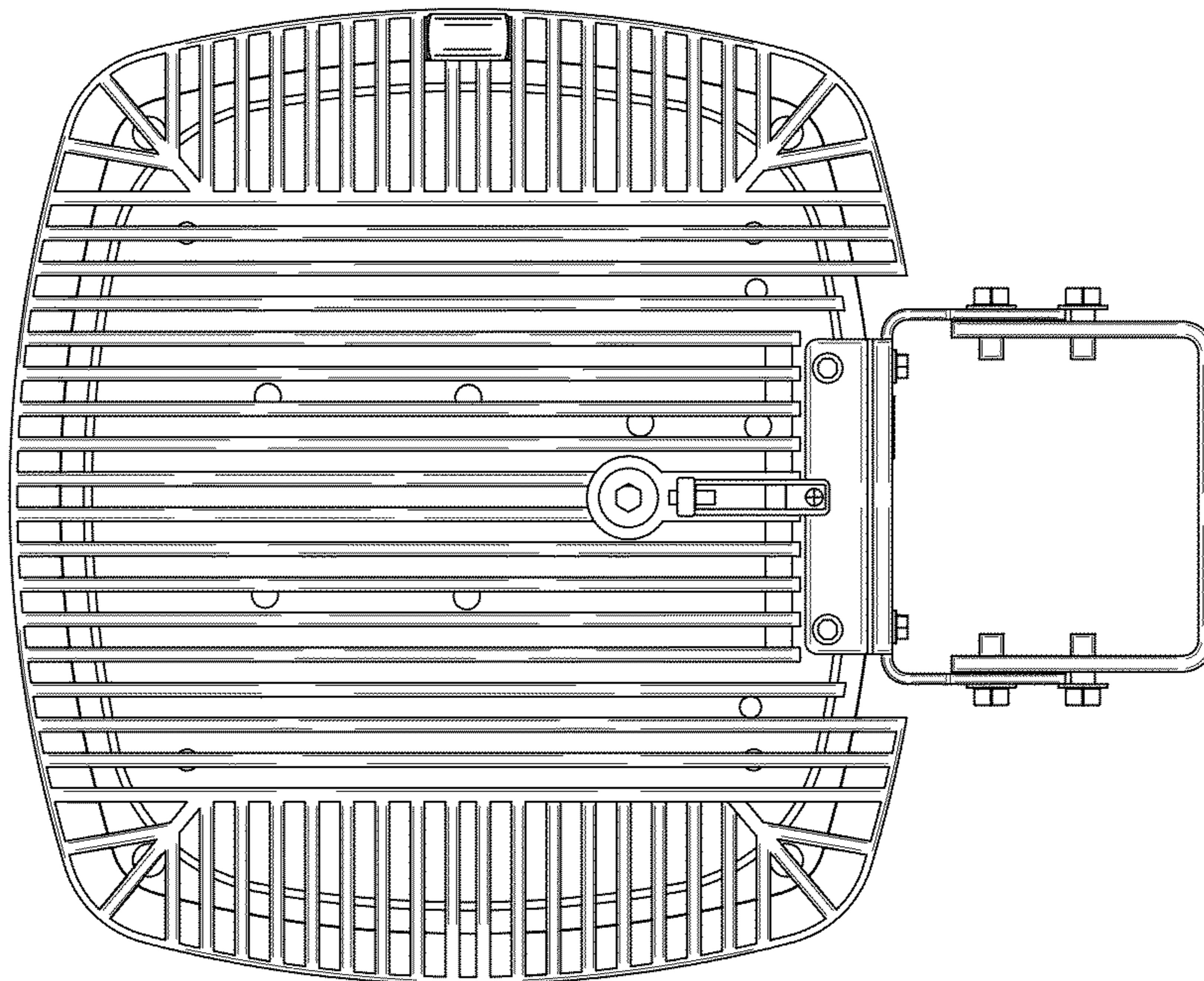


FIG. 3

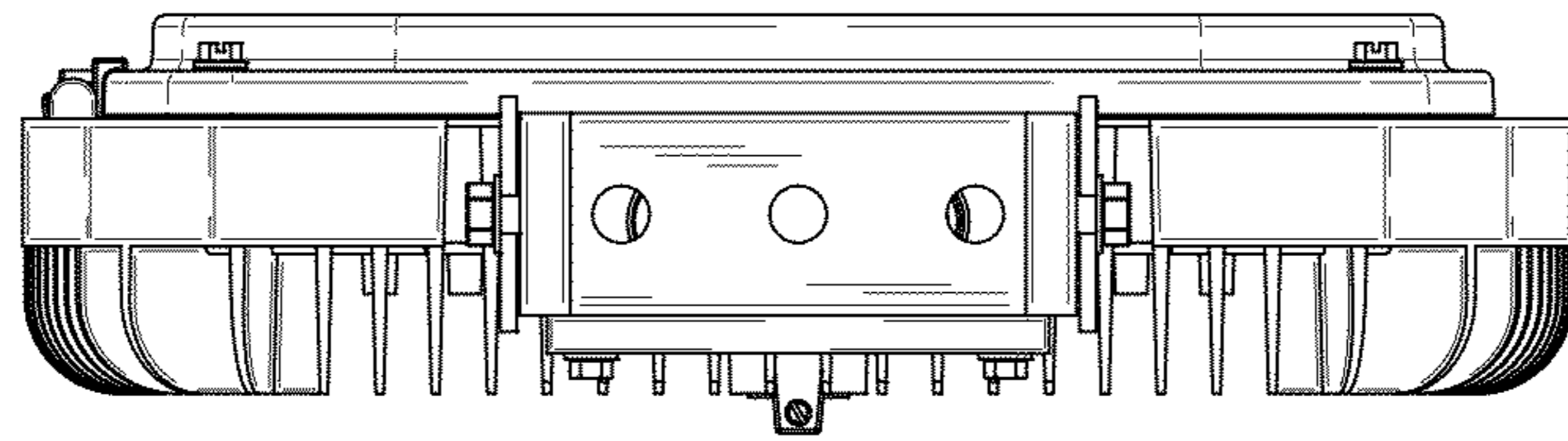


FIG. 6

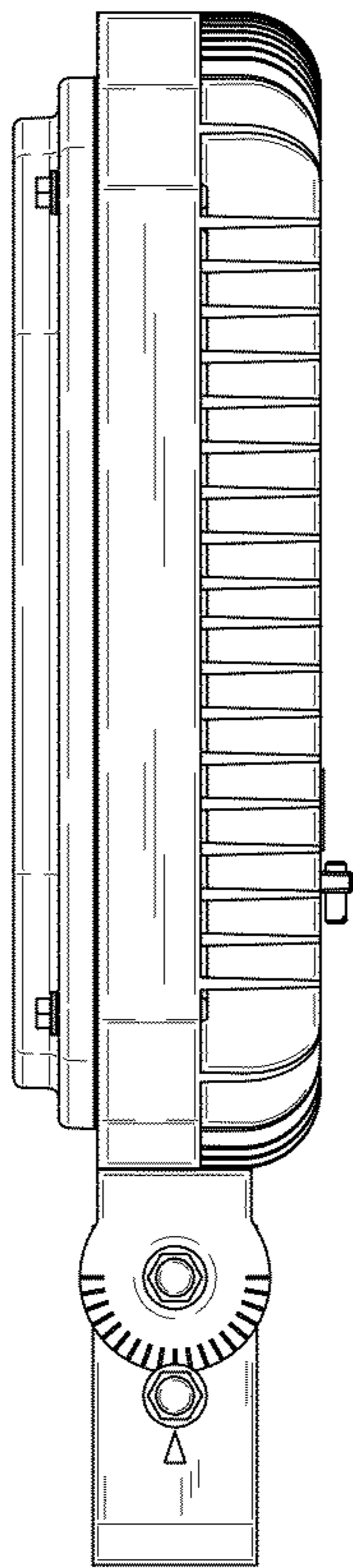


FIG. 7

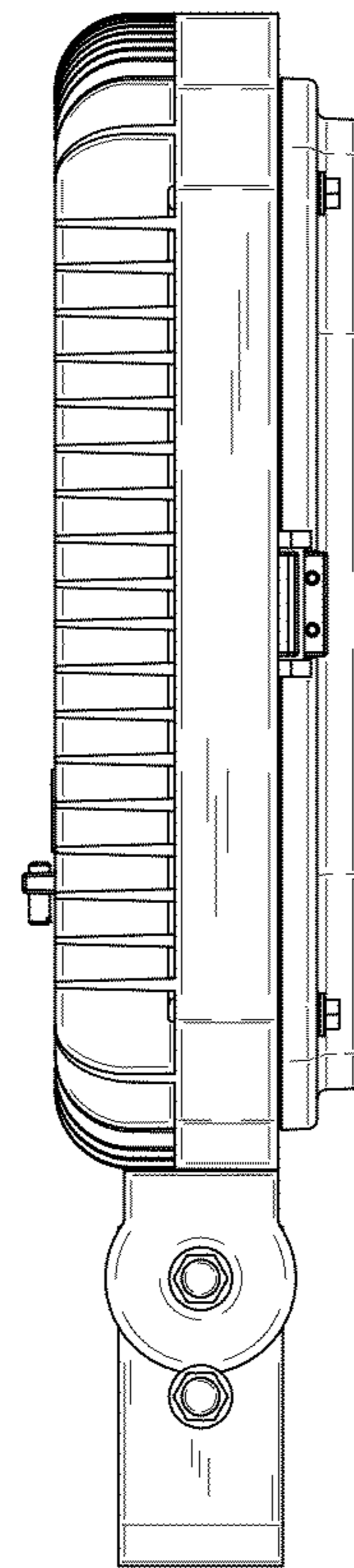


FIG. 8

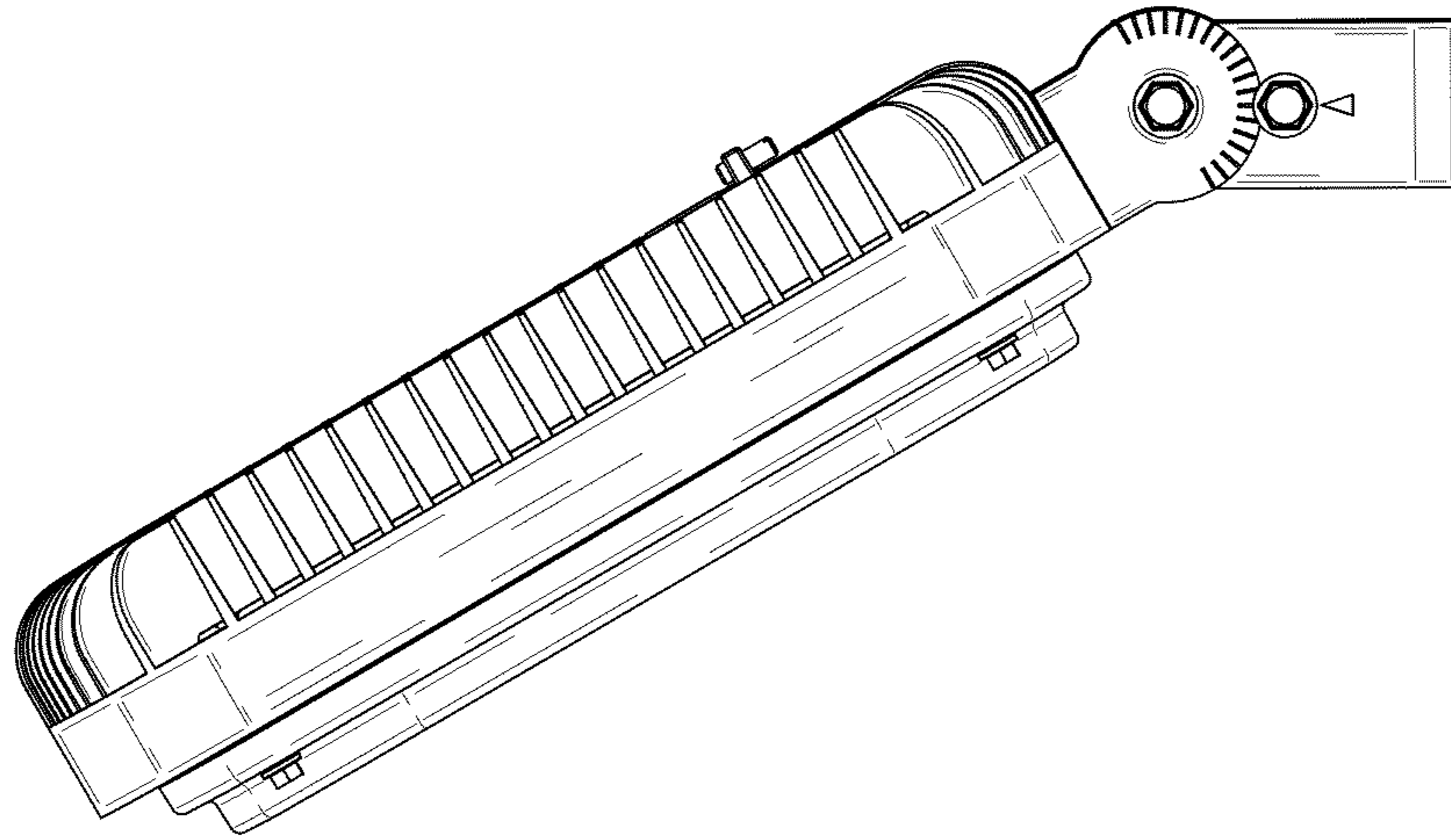


FIG. 10

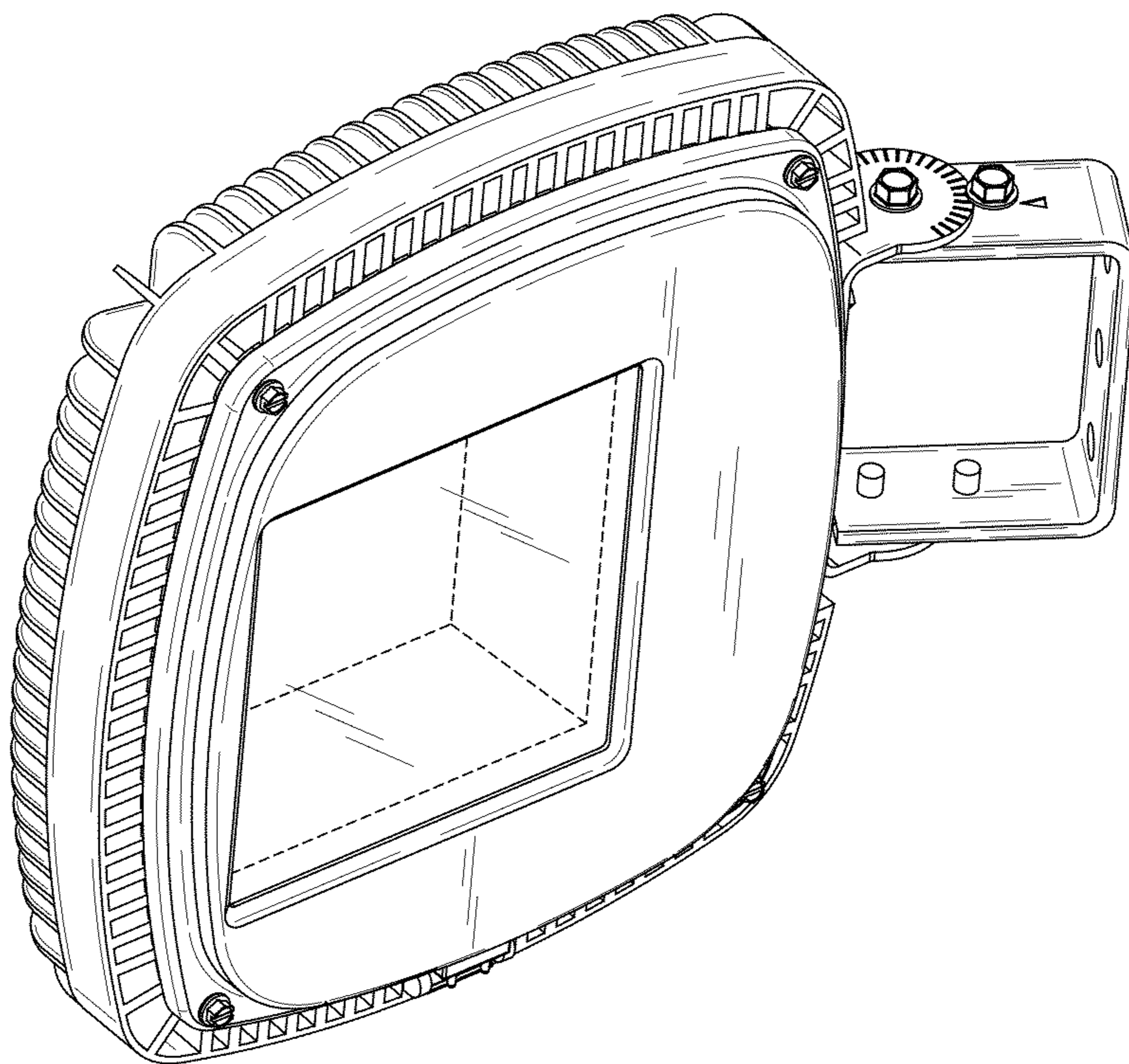


FIG. 9