



US00D693499S

(12) **United States Design Patent**
Bennett et al.

(10) **Patent No.:** **US D693,499 S**
(45) **Date of Patent:** **** Nov. 12, 2013**

(54) **LIGHTING DEVICE**

(75) Inventors: **Jason R. Bennett**, Sydney (AU); **Angelo Kotsis**, Marrickville (AU); **Timothy J. Rugendyke**, Woy Woy (AU)

(73) Assignee: **Eveready Battery Company, Inc.**, St. Louis, MO (US)

(**) Term: **14 Years**

(21) Appl. No.: **29/424,326**

(22) Filed: **Jun. 11, 2012**

(51) **LOC (9) Cl.** **26-02**

(52) **U.S. Cl.**

USPC **D26/37**

(58) **Field of Classification Search**

USPC D26/37, 38, 40, 41, 42; 362/157, 158, 362/171-174, 183, 184, 194-196, 200-208, 362/253

See application file for complete search history.

(56) **References Cited**

U.S. PATENT DOCUMENTS

D296,009 S *	5/1988	Witusik et al.	D26/41
D374,099 S *	9/1996	Bamber	D26/41
D407,171 S *	3/1999	Yuen	D26/41
D439,689 S *	3/2001	Yuen	D26/42
D451,221 S *	11/2001	Poon	D26/42
D509,921 S *	9/2005	Lam	D26/40

D541,961 S *	5/2007	Tarter et al.	D26/40
D554,785 S *	11/2007	Brown et al.	D26/41
D570,510 S *	6/2008	DeBrunner	D26/40
D604,435 S *	11/2009	Kingston et al.	D26/37
D638,152 S *	5/2011	Leung	D26/40
D643,560 S *	8/2011	Tompkin	D26/40

* cited by examiner

Primary Examiner — Stella Reid

Assistant Examiner — Carissa C Fitts

(74) *Attorney, Agent, or Firm* — Russell H. Toye, Jr.

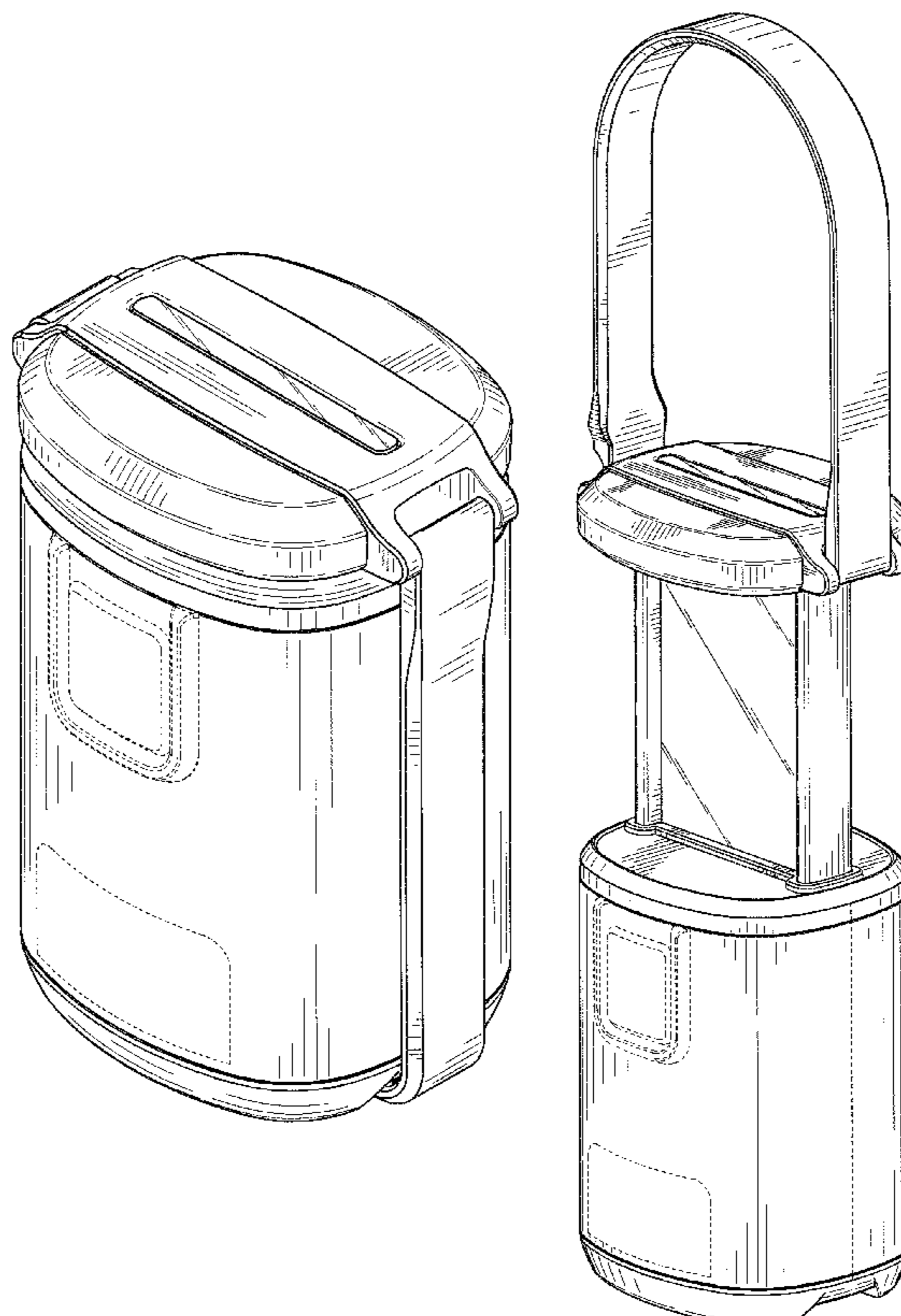
(57) **CLAIM**

We claim the ornamental design for a lighting device, as shown and described.

DESCRIPTION

FIG. 1 is a front perspective view of the design.
 FIG. 2 is a rear perspective view of the design.
 FIG. 3 is a front view of the design.
 FIG. 4 is a rear view of the design.
 FIG. 5 is a right side view of the design.
 FIG. 6 is a left side view of the design.
 FIG. 7 is a top view of the design.
 FIG. 8 is a bottom view of the design.
 FIG. 9 is a front perspective view of the design with the handle and light extended out of light housing; and,
 FIG. 10 is a second front perspective view of the design with the handle and light extended out of light housing.
 Any broken line(s) shown are for illustrative purposes only and form no part of the claimed design.

1 Claim, 6 Drawing Sheets



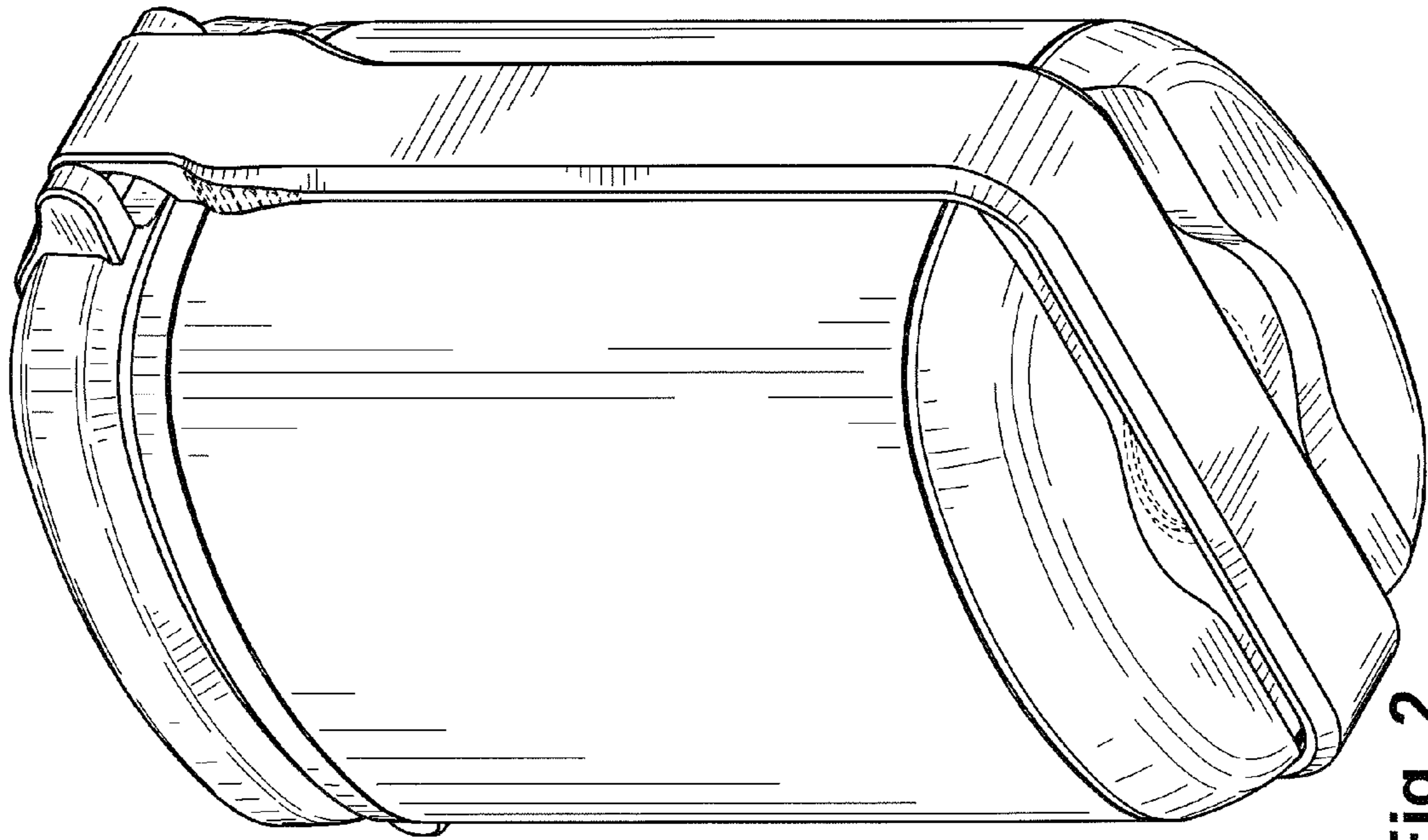


Fig. 2

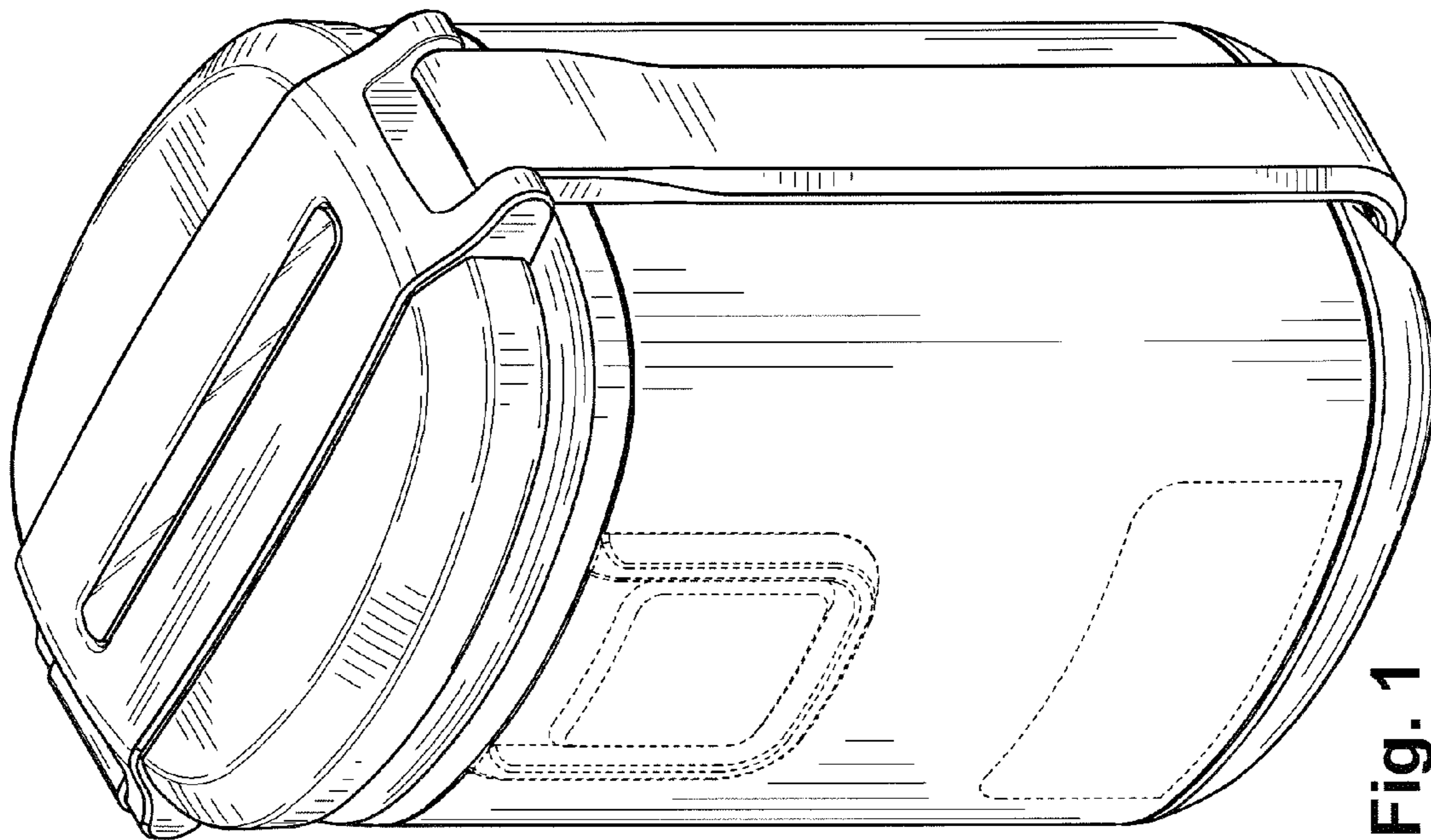


Fig. 1

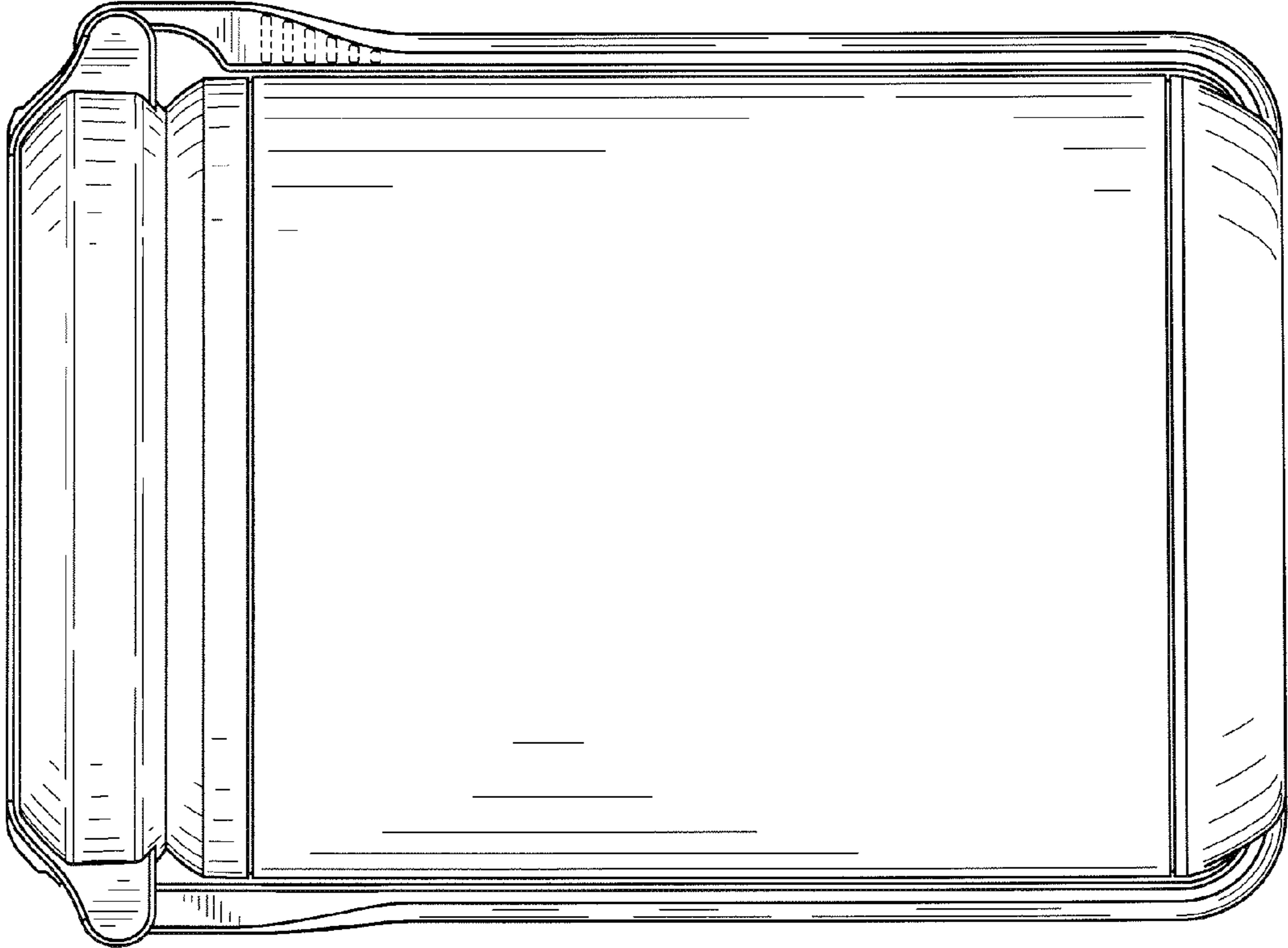


Fig. 4

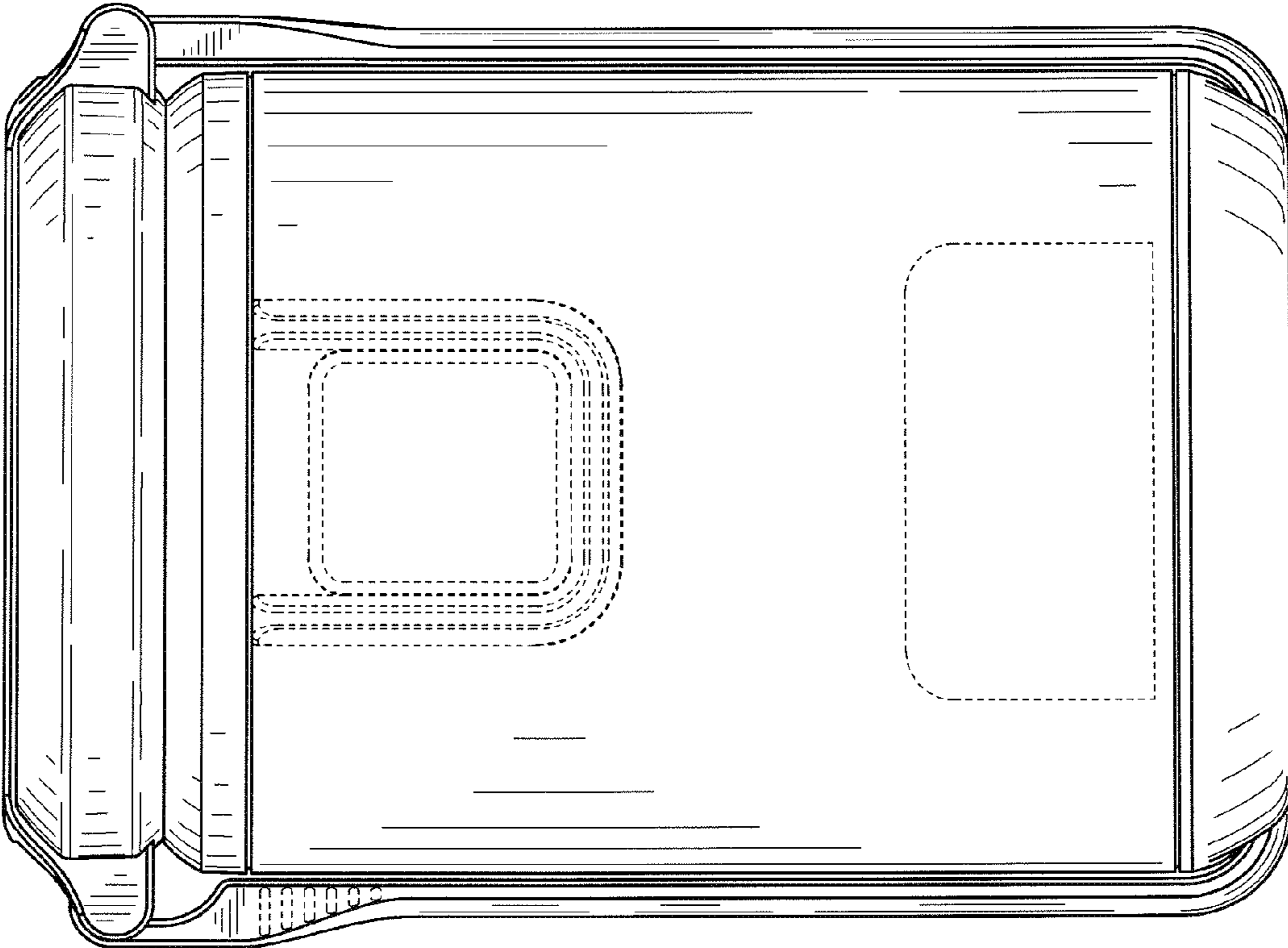


Fig. 3

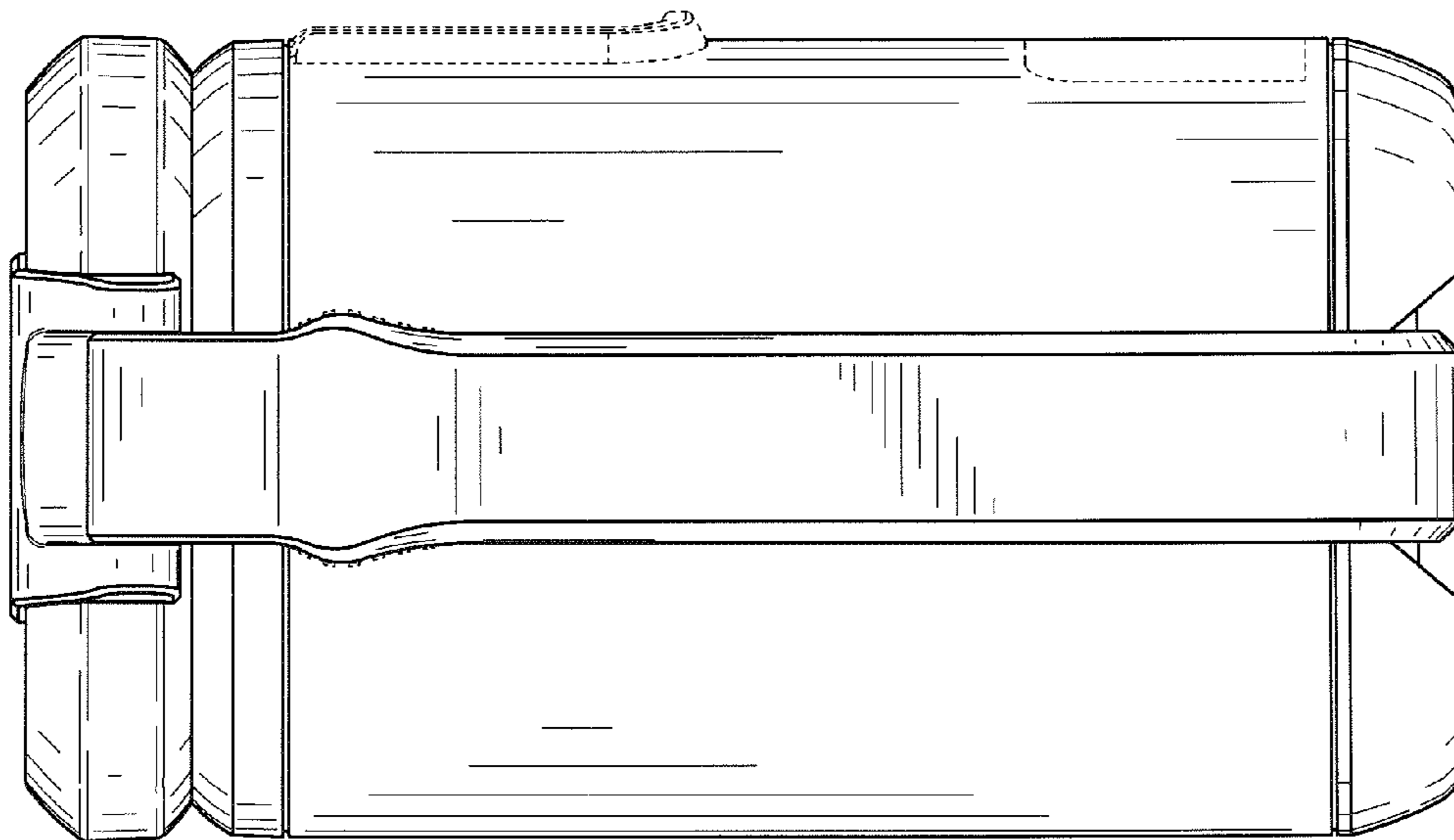


Fig. 6

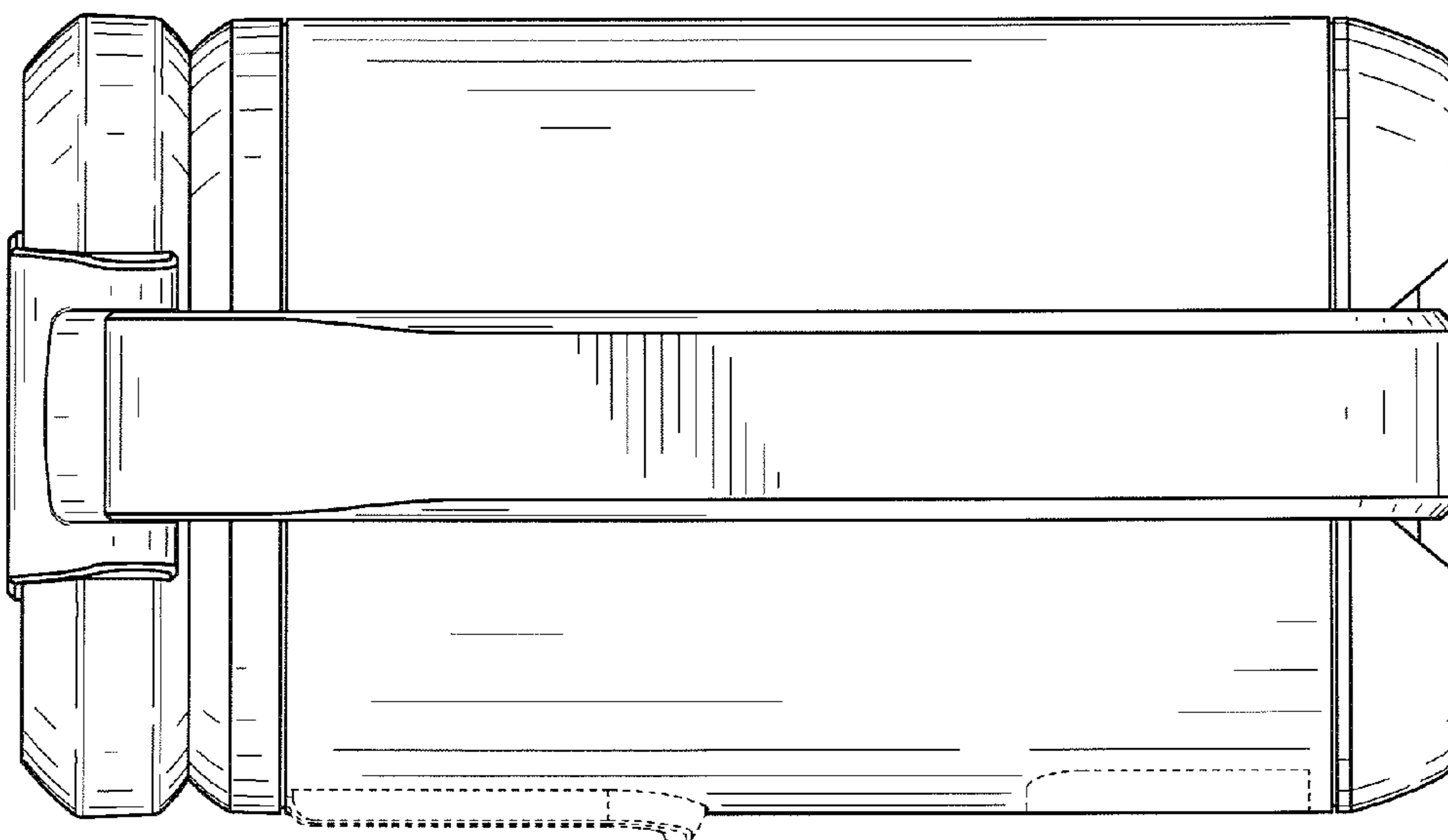


Fig. 5

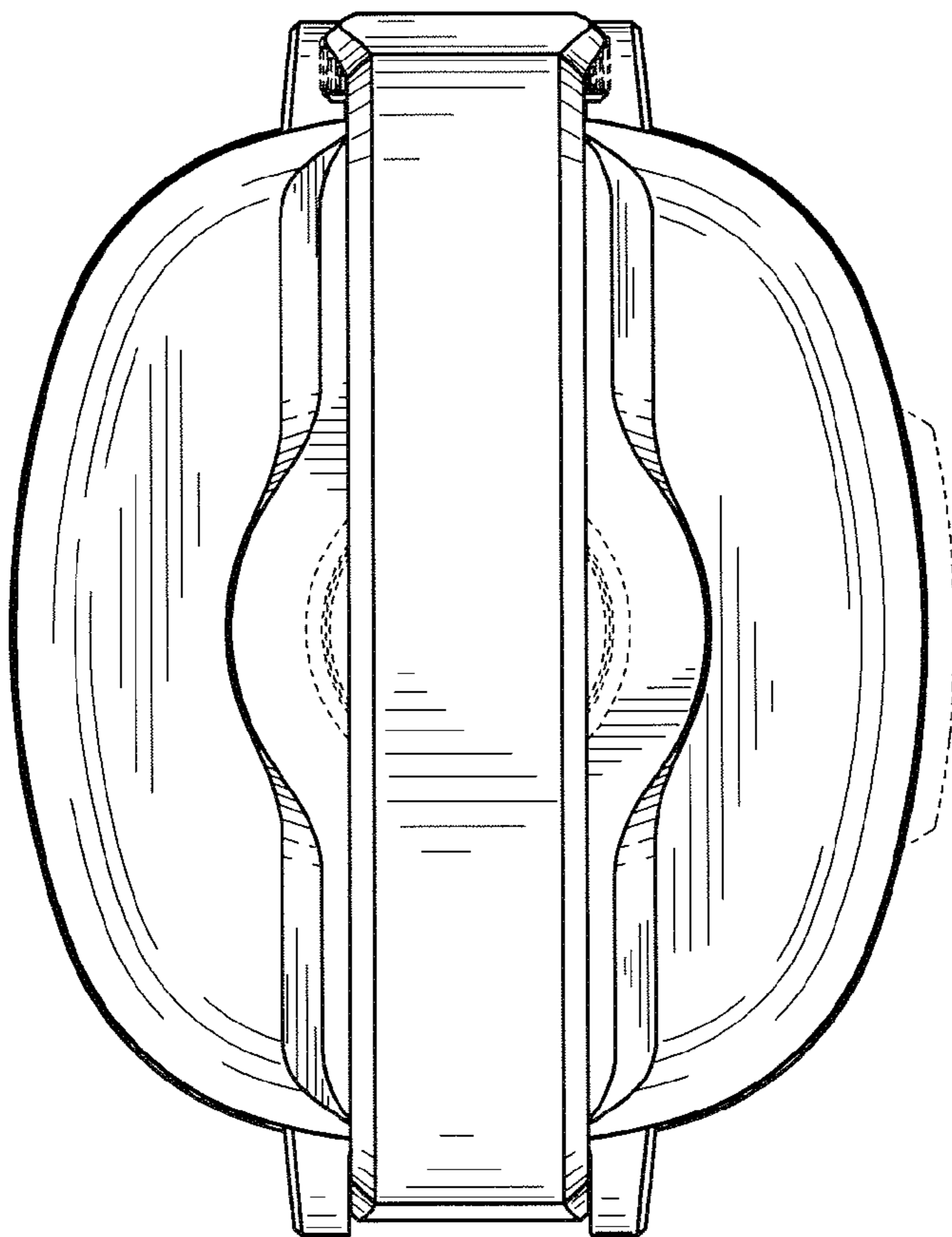


Fig. 8

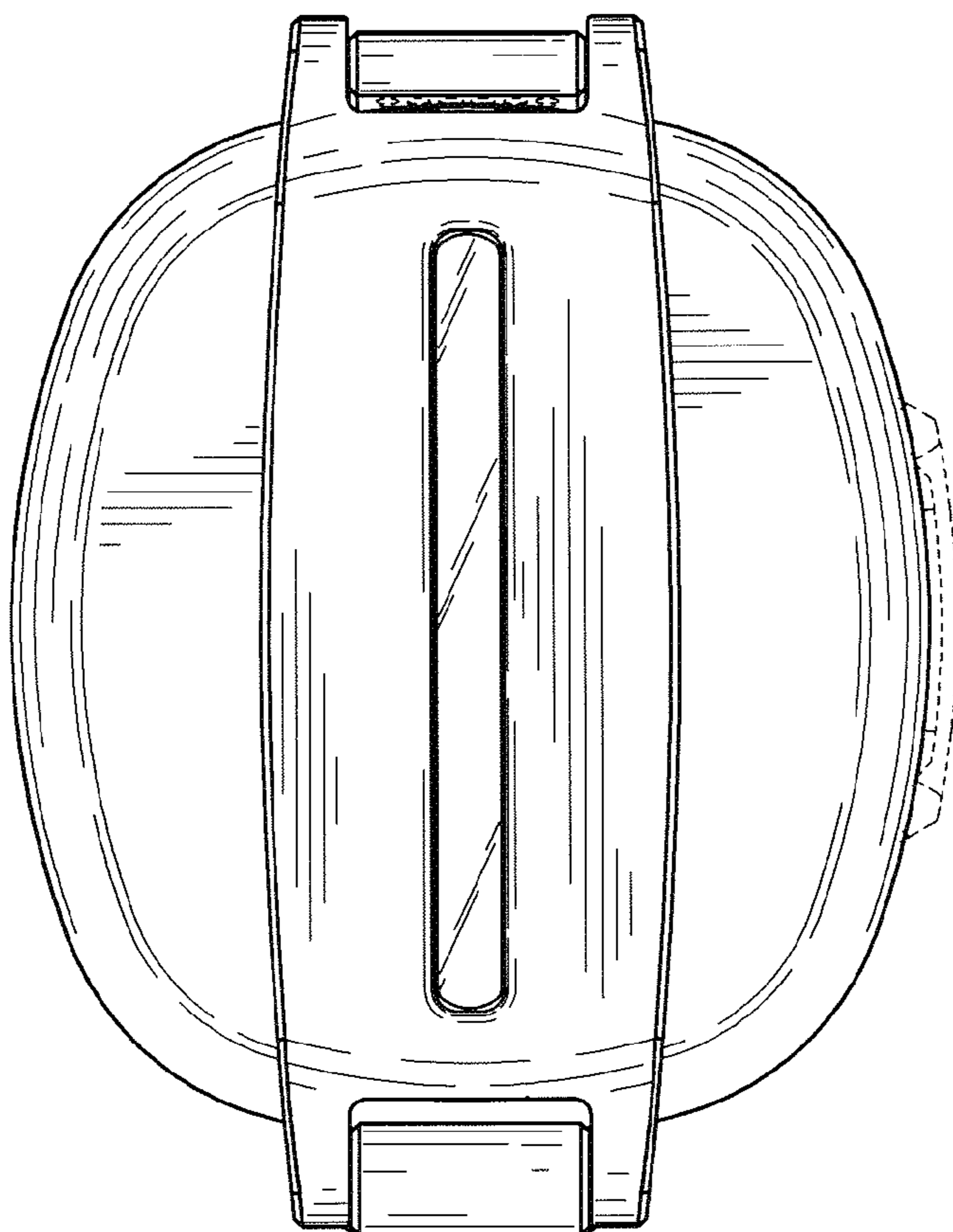


Fig. 7

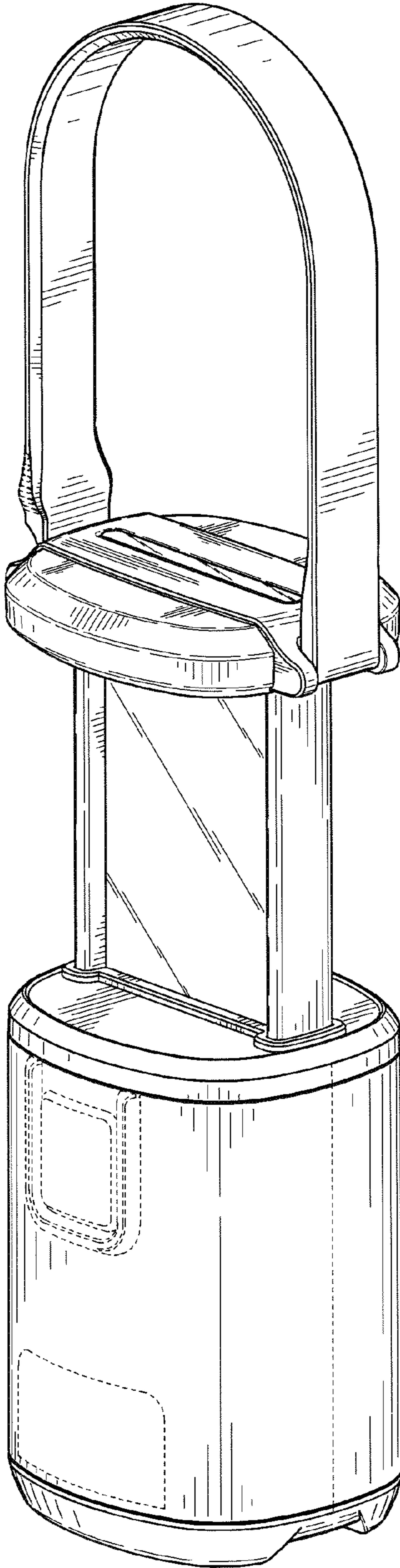


Fig. 9

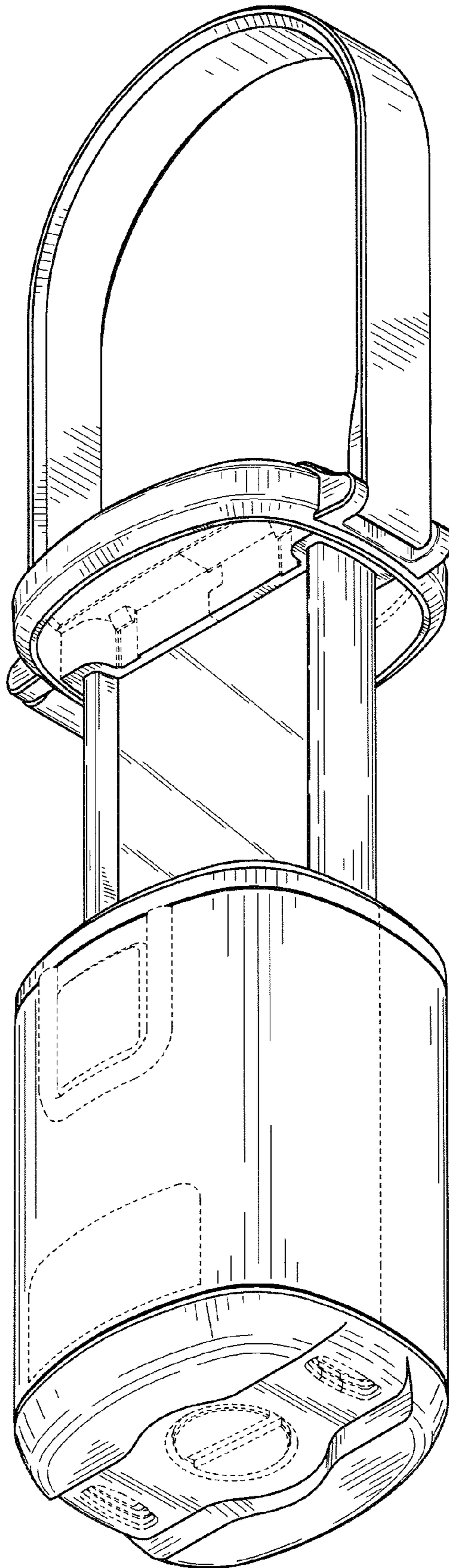


Fig. 10