



US00D693497S

(12) **United States Design Patent**
Hayashi

(10) **Patent No.:** **US D693,497 S**

(45) **Date of Patent:** **** Nov. 12, 2013**

(54) **COMBINATION LAMP FOR AN
AUTOMOBILE**

D582,587 S * 12/2008 Yang D26/28
D593,232 S * 5/2009 Koman et al. D26/28
D635,694 S * 4/2011 Yang et al. D26/28

(75) Inventor: **Hideki Hayashi**, Toyota (JP)

OTHER PUBLICATIONS

(73) Assignee: **Toyota Jidosha Kabushiki Kaisha** (JP)

Mitsubishi, Mitsubishi Outlander SE 2008, Netcarshow.com, http://www.netcarshow.com/mitsubishi/2008-outlander_se/1600x1200/wallpaper_03.htm, available at least as early as 2009.

(**) Term: **14 Years**

Audi, Audi A6 2012, Netcarshow.com, http://netcarshow.com/audi/2012-a6/1600x1200/wallpaper_07.htm, available at least as early as Mar. 21, 2011.

(21) Appl. No.: **29/429,216**

* cited by examiner

(22) Filed: **Aug. 8, 2012**

Primary Examiner — Marcus Jackson

(51) **LOC (9) Cl.** **26-06**

(74) *Attorney, Agent, or Firm* — Saidman DesignLaw Group

(52) **U.S. Cl.**
USPC **D26/28**

(57) **CLAIM**

(58) **Field of Classification Search**
USPC D26/28–36; 362/459–468, 475–478,
362/485–487

The ornamental design for a combination lamp for an automobile, as shown and described.

DESCRIPTION

See application file for complete search history.

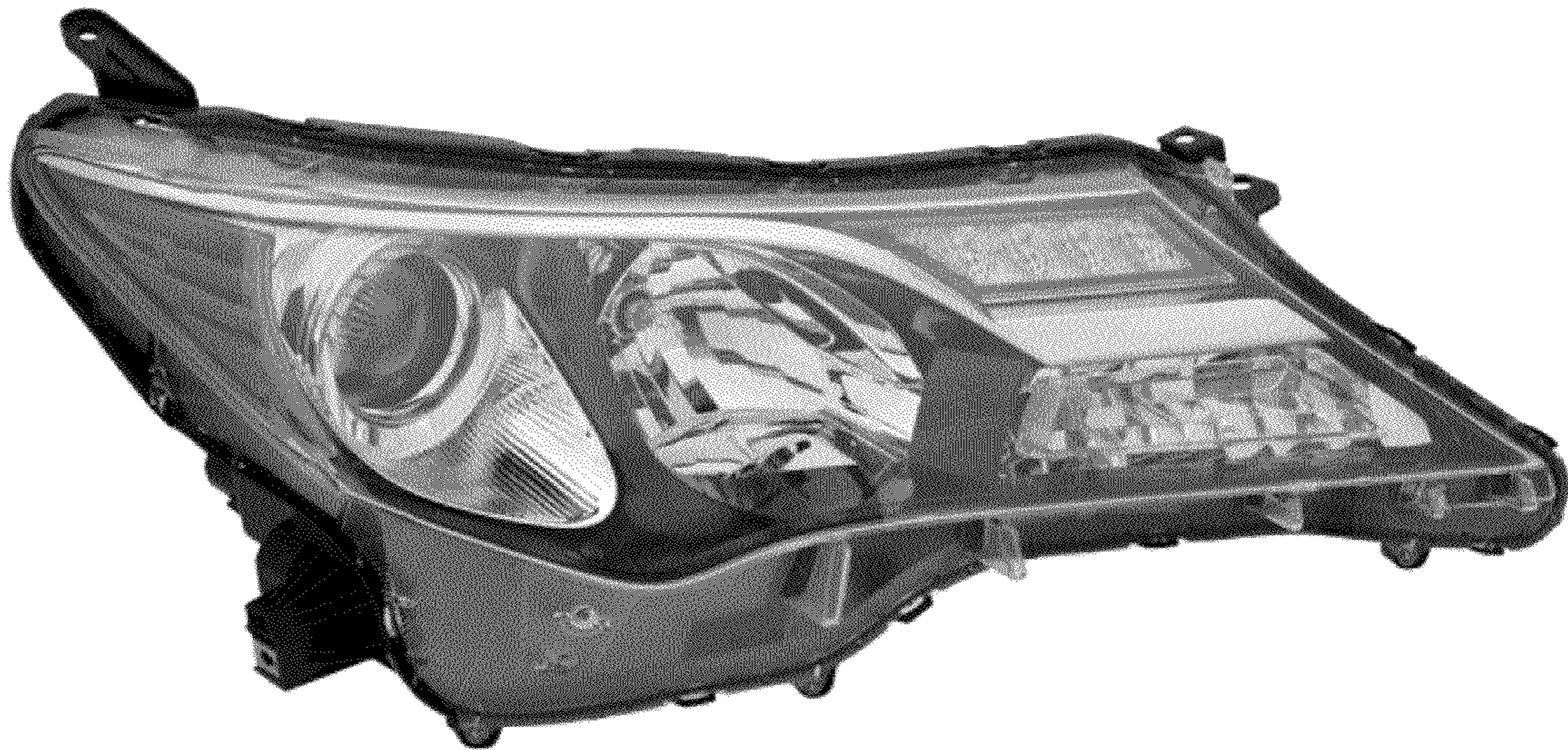
FIG. 1 is a perspective view of a combination lamp for an automobile showing our new design;
FIG. 2 is a front view thereof;
FIG. 3 is a rear view thereof;
FIG. 4 is a top view thereof;
FIG. 5 is a bottom view thereof;
FIG. 6 is a right side view thereof; and,
FIG. 7 is a left side view thereof.

(56) **References Cited**

U.S. PATENT DOCUMENTS

D538,956 S * 3/2007 Ishii D26/28
D544,614 S * 6/2007 Markefka D26/28
D561,358 S * 2/2008 Tachibana D26/28
D570,007 S * 5/2008 Hsu D26/28

1 Claim, 3 Drawing Sheets



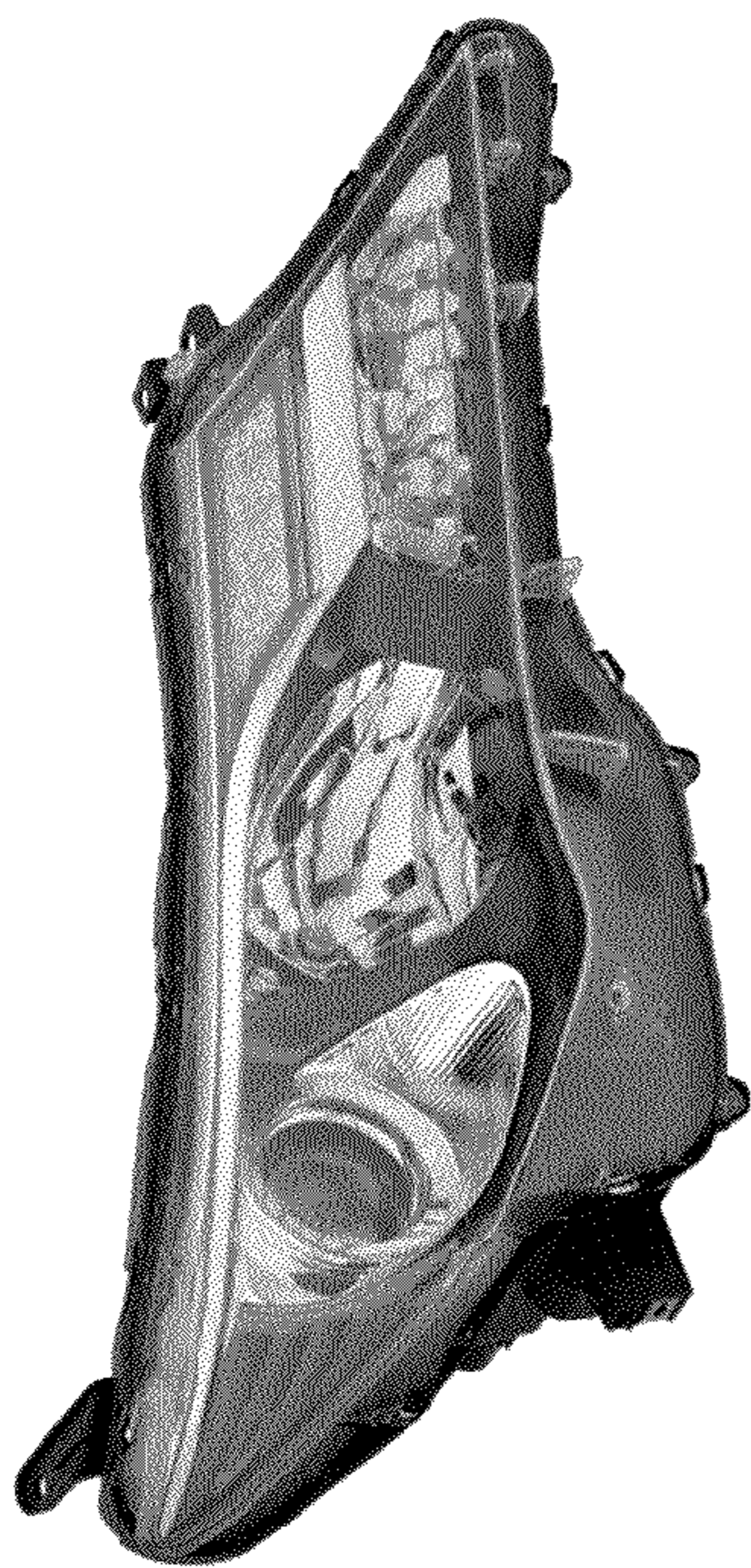


FIG. 1

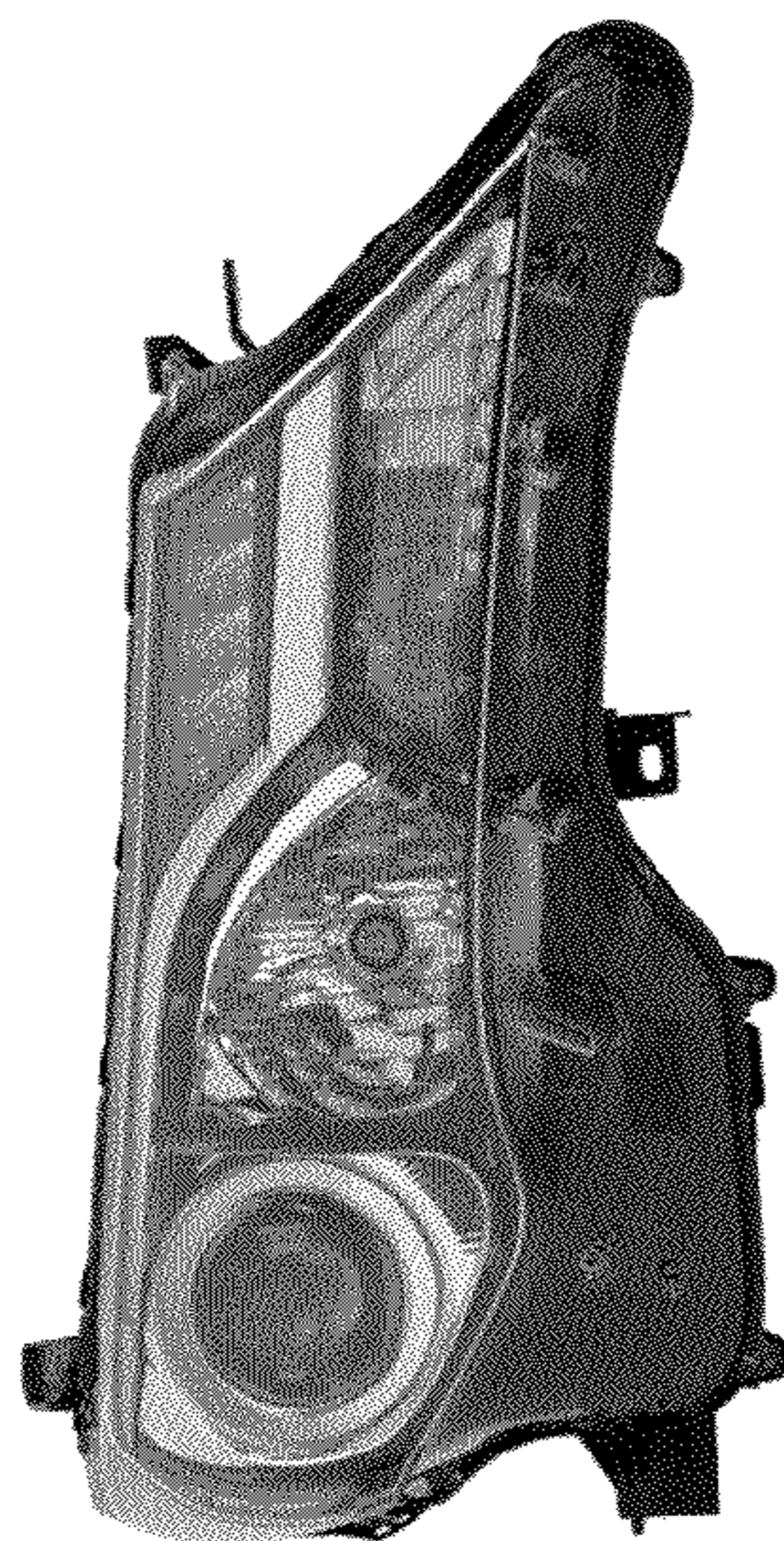


FIG. 2



FIG. 3

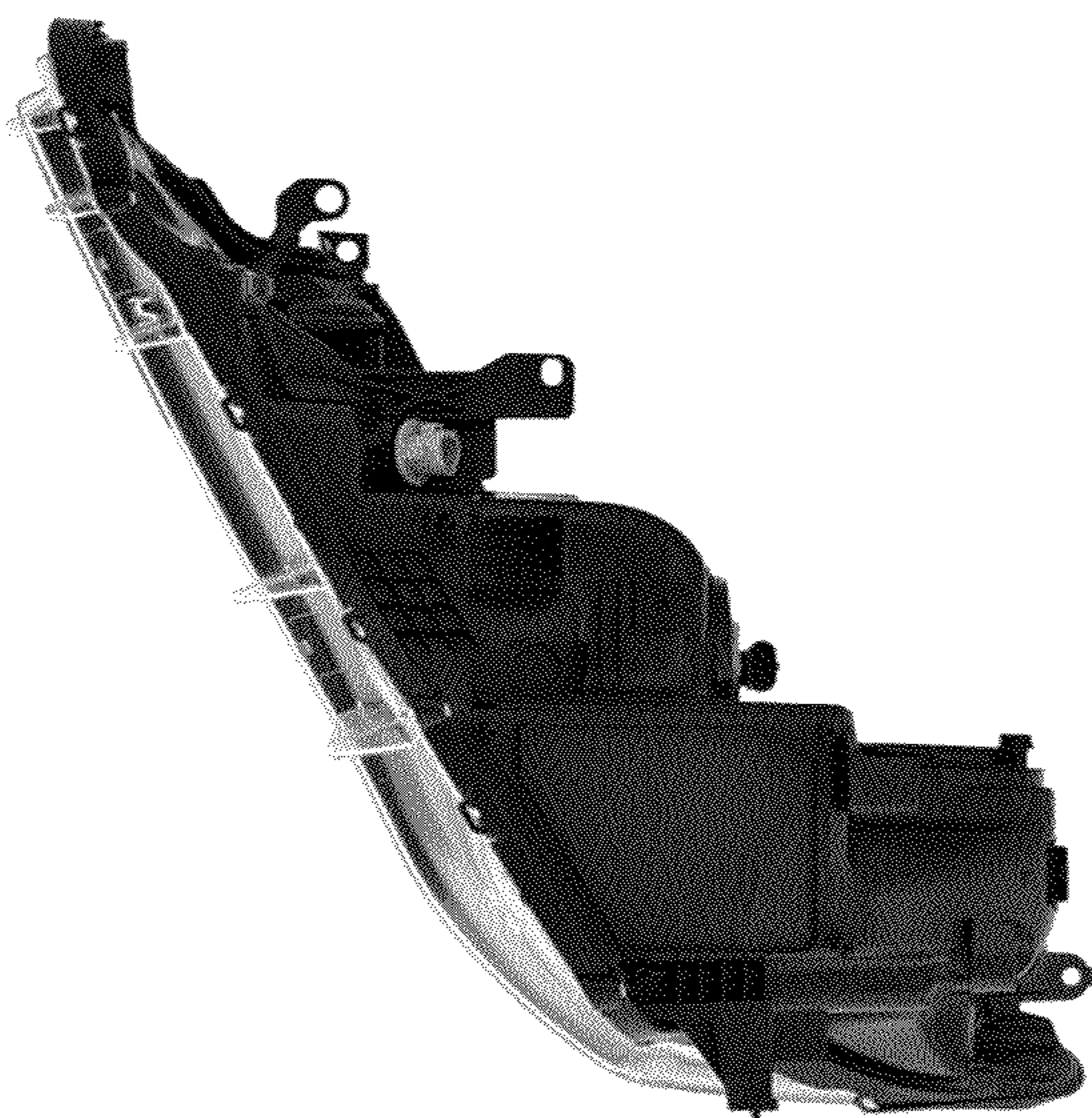


FIG. 5



FIG. 4



FIG. 7



FIG. 6