



US00D693480S

(12) **United States Design Patent**
Spiess et al.

(10) **Patent No.:** **US D693,480 S**

(45) **Date of Patent:** **** Nov. 12, 2013**

(54) **LABORATORY REACTOR**

(75) Inventors: **Dominic Spiess**, Zürich (CH);
Christoph Jaun, Zürich (CH)

(73) Assignee: **Mettler-Toledo AG**, Greifensee (CH)

(**) Term: **14 Years**

(21) Appl. No.: **29/399,917**

(22) Filed: **Aug. 19, 2011**

(30) **Foreign Application Priority Data**

Feb. 22, 2011 (EM) 001824632

(51) **LOC (9) Cl.** **24-02**

(52) **U.S. Cl.**
USPC **D24/232**

(58) **Field of Classification Search**
USPC D24/232, 216, 231, 217, 219, 107;
D10/81; 376/908-912; 422/50, 62-63,
422/129, 130, 119, 135, 143, 146, 311

See application file for complete search history.

(56) **References Cited**

U.S. PATENT DOCUMENTS

2,937,127 A *	5/1960	Flora	376/909
D228,346 S *	9/1973	Blumenfeld	D24/216
D352,360 S *	11/1994	Nugteren	D24/216
D359,357 S *	6/1995	Bigler et al.	D24/232
D471,988 S *	3/2003	Lueth et al.	D24/232

* cited by examiner

Primary Examiner — Wan Laymon

(74) *Attorney, Agent, or Firm* — Standley Law Group LLP

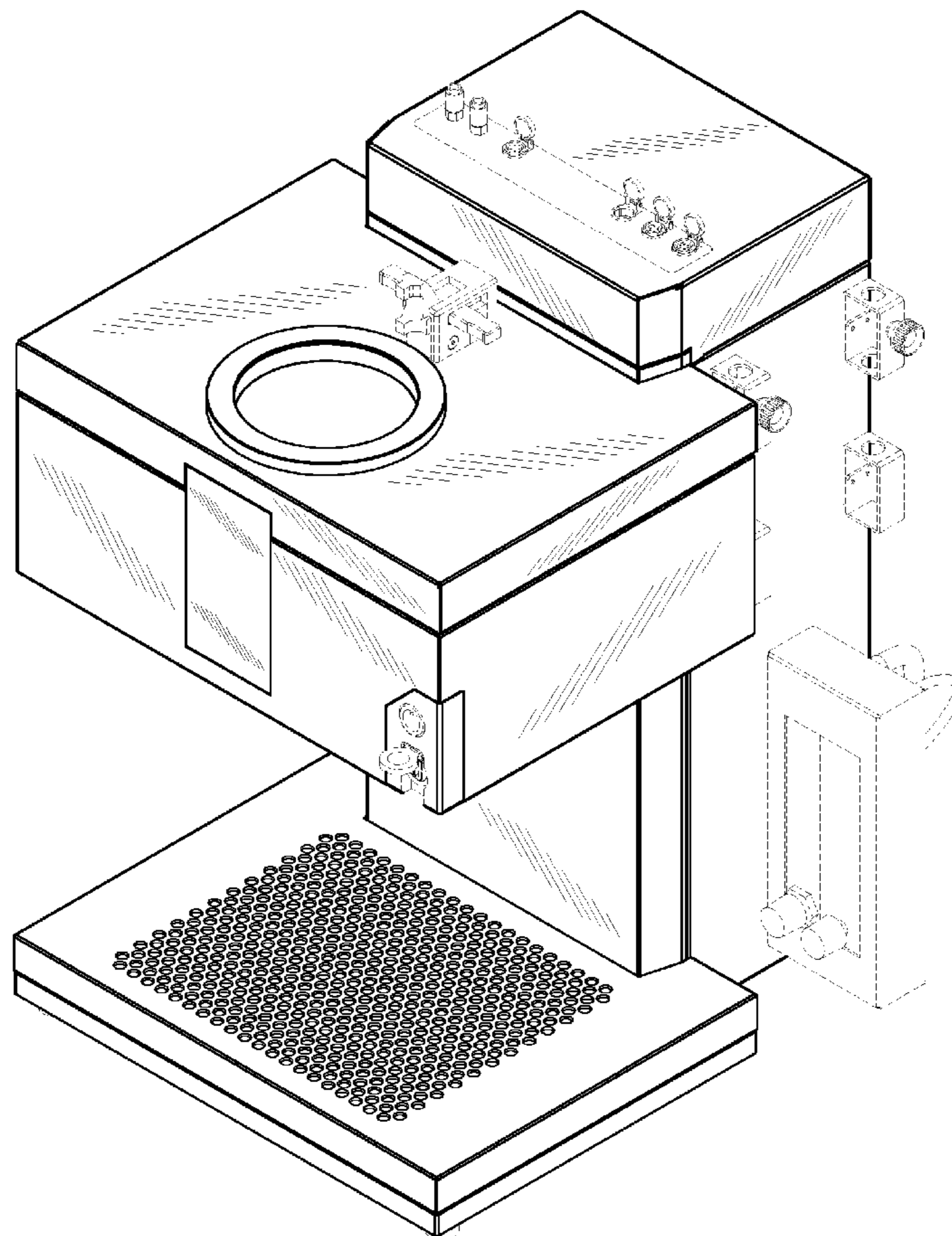
(57) **CLAIM**

The ornamental design for a laboratory reactor, as shown and described.

DESCRIPTION

FIG. 1 is a front perspective view of the laboratory reactor; FIG. 2 is a left side elevation view of the FIG. 1 reactor; FIG. 3 is a front elevation view of the FIG. 1 reactor; FIG. 4 is a right side elevation view of the FIG. 1 reactor; FIG. 5 is a rear elevation view of the FIG. 1 reactor; FIG. 6 is a top plan view of the FIG. 1 reactor; and, FIG. 7 is a bottom plan view of the FIG. 1 reactor. Broken lining shows features of the laboratory reactor that are not considered to be part of the design.

1 Claim, 7 Drawing Sheets



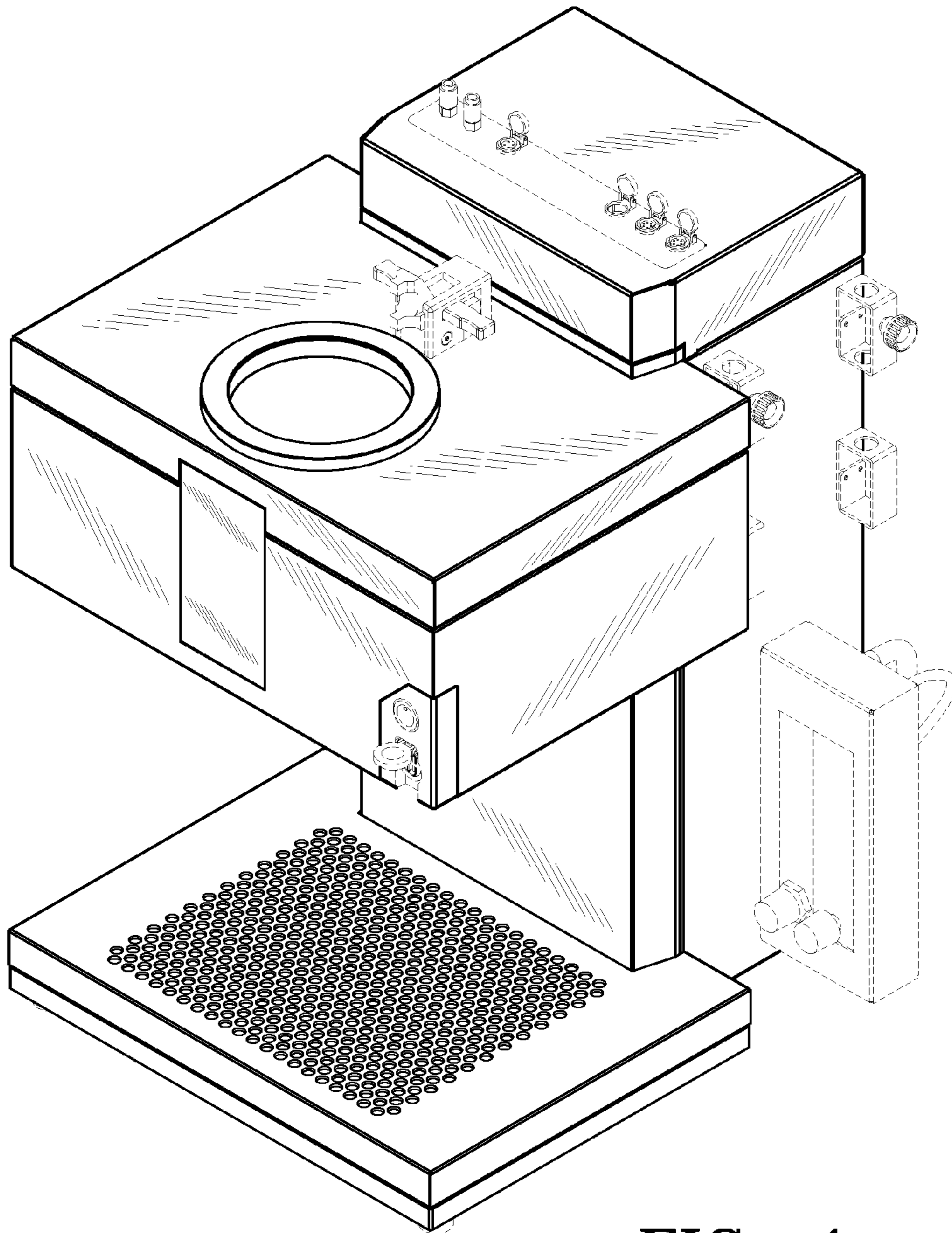


FIG. 1

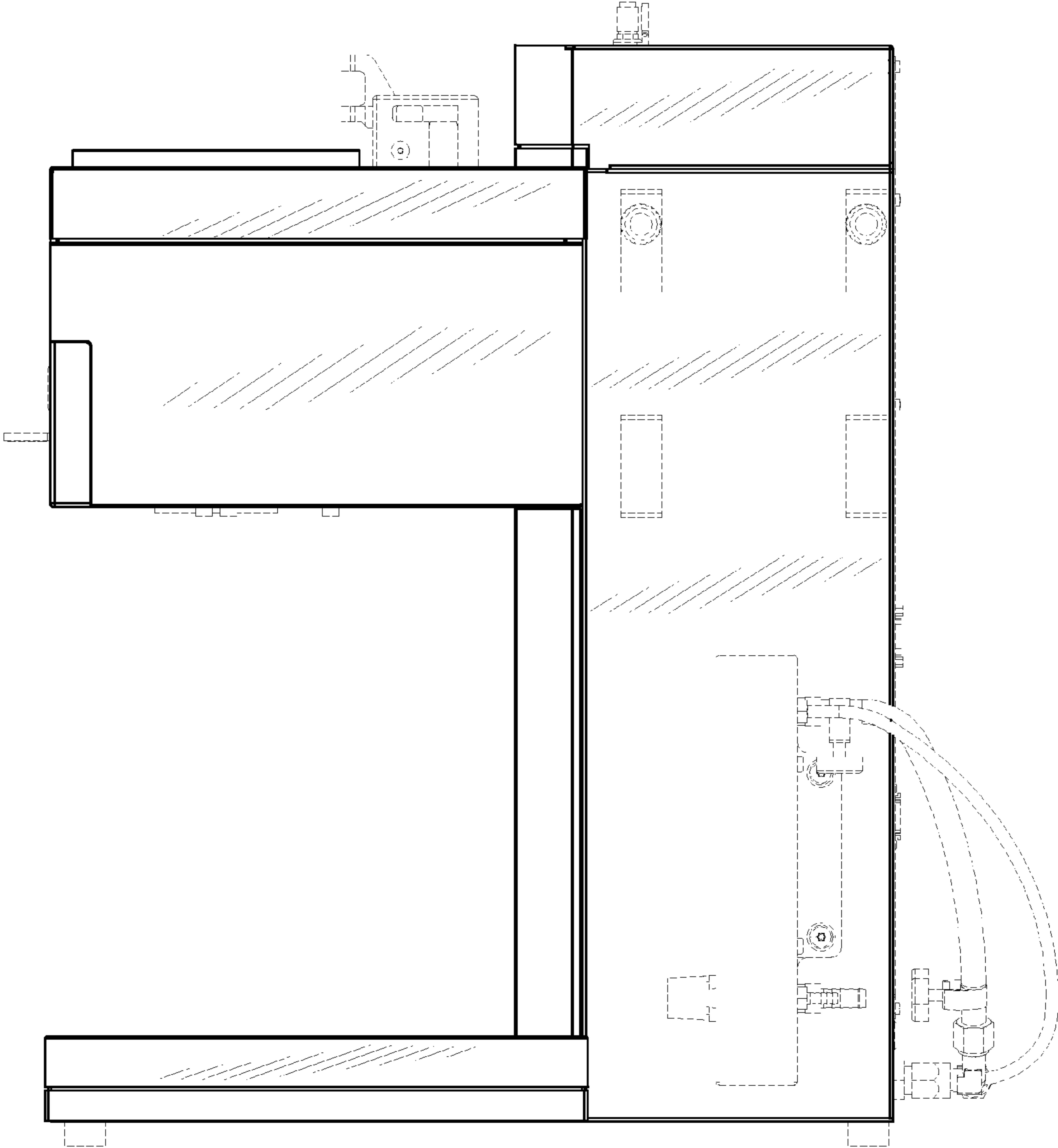


FIG. 2

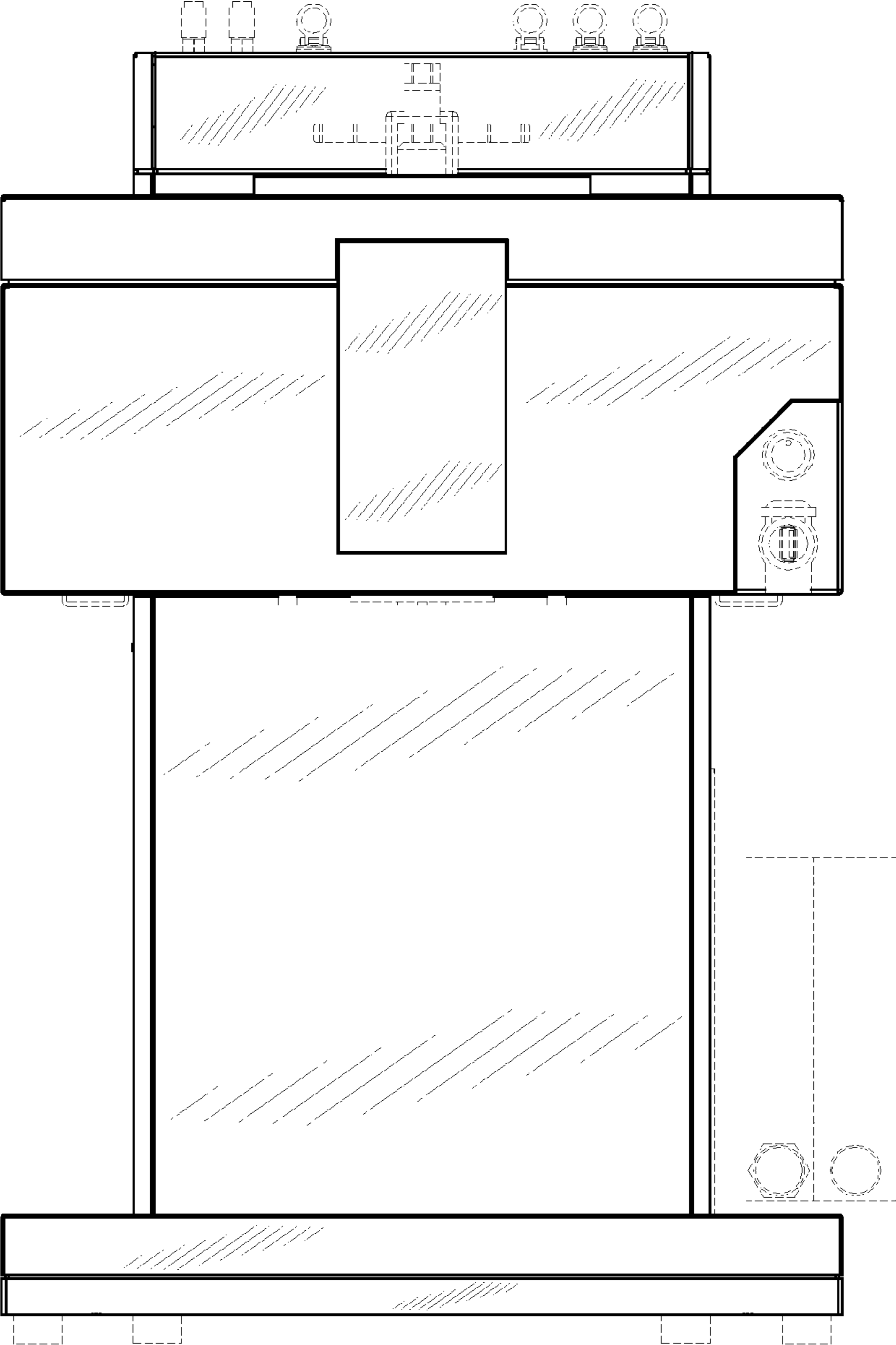


FIG. 3

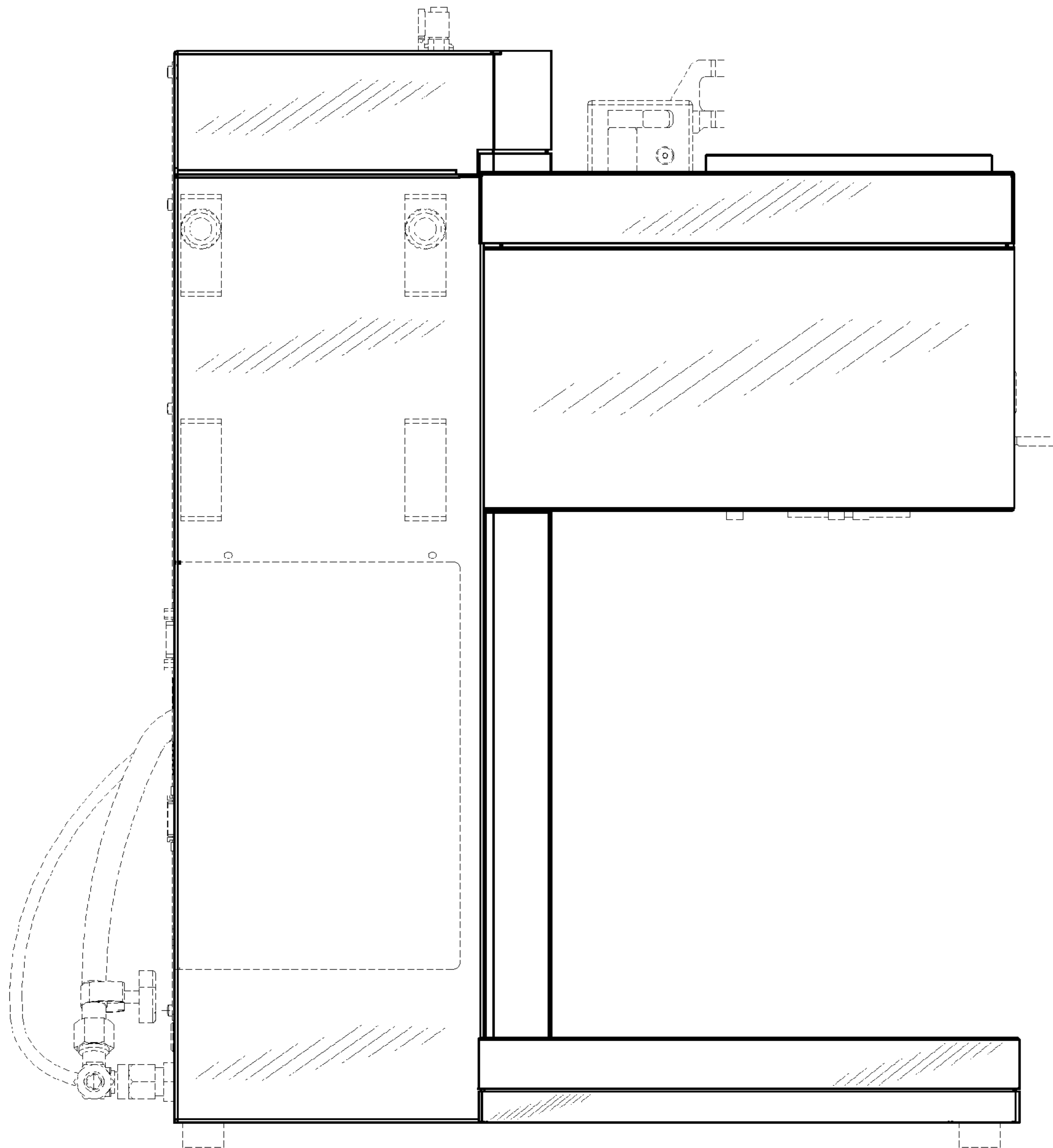


FIG. 4

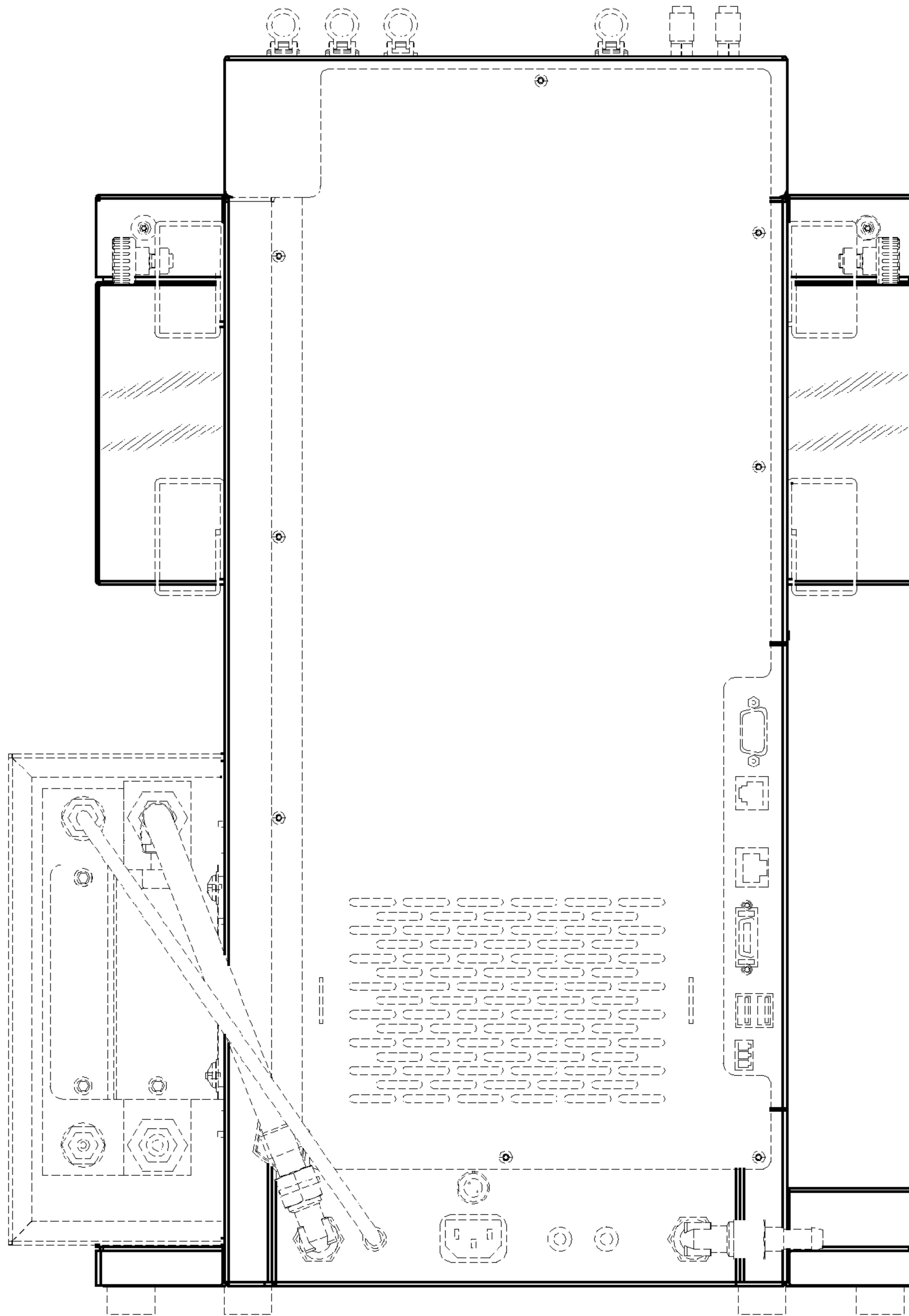


FIG. 5

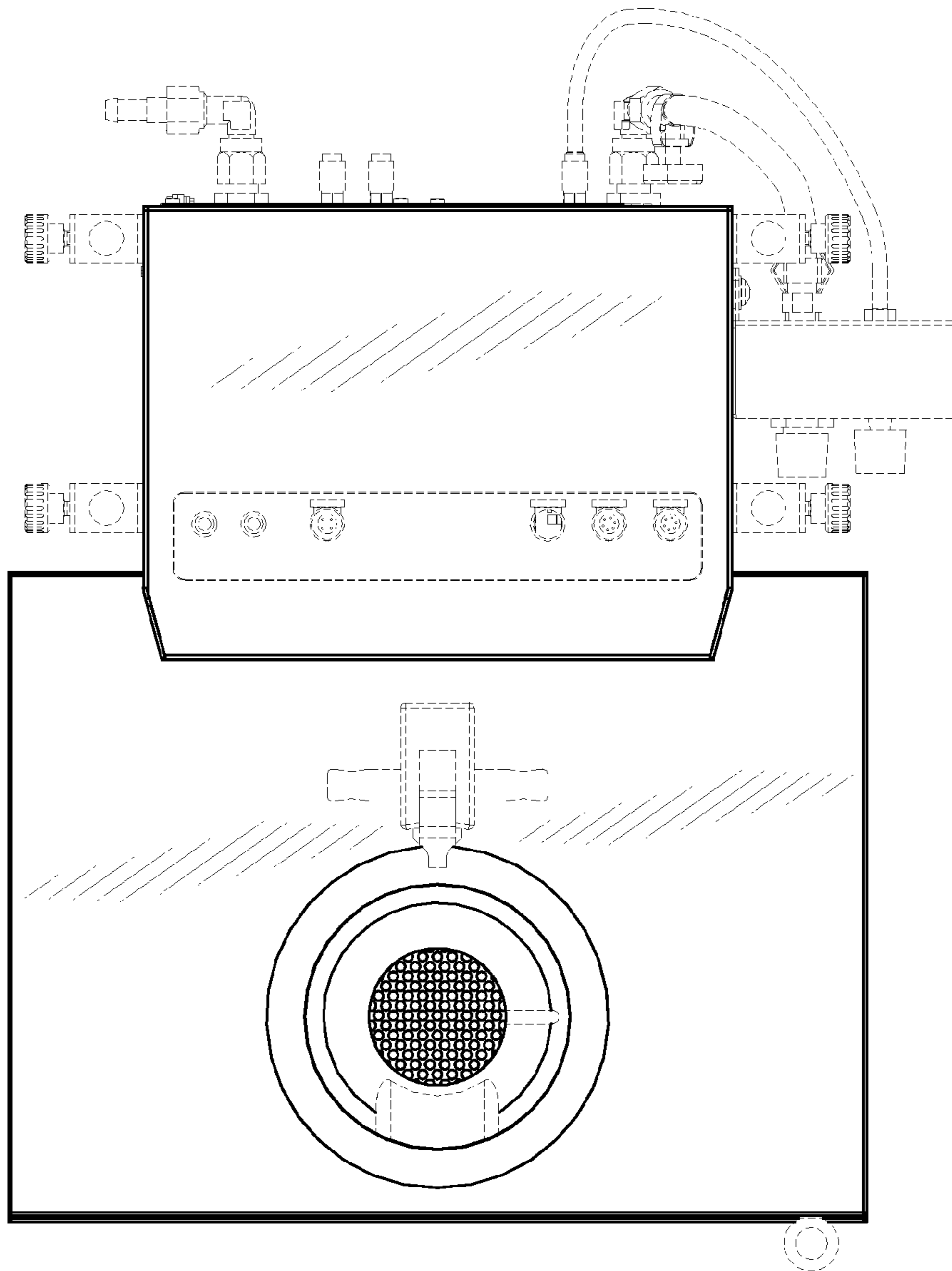


FIG. 6

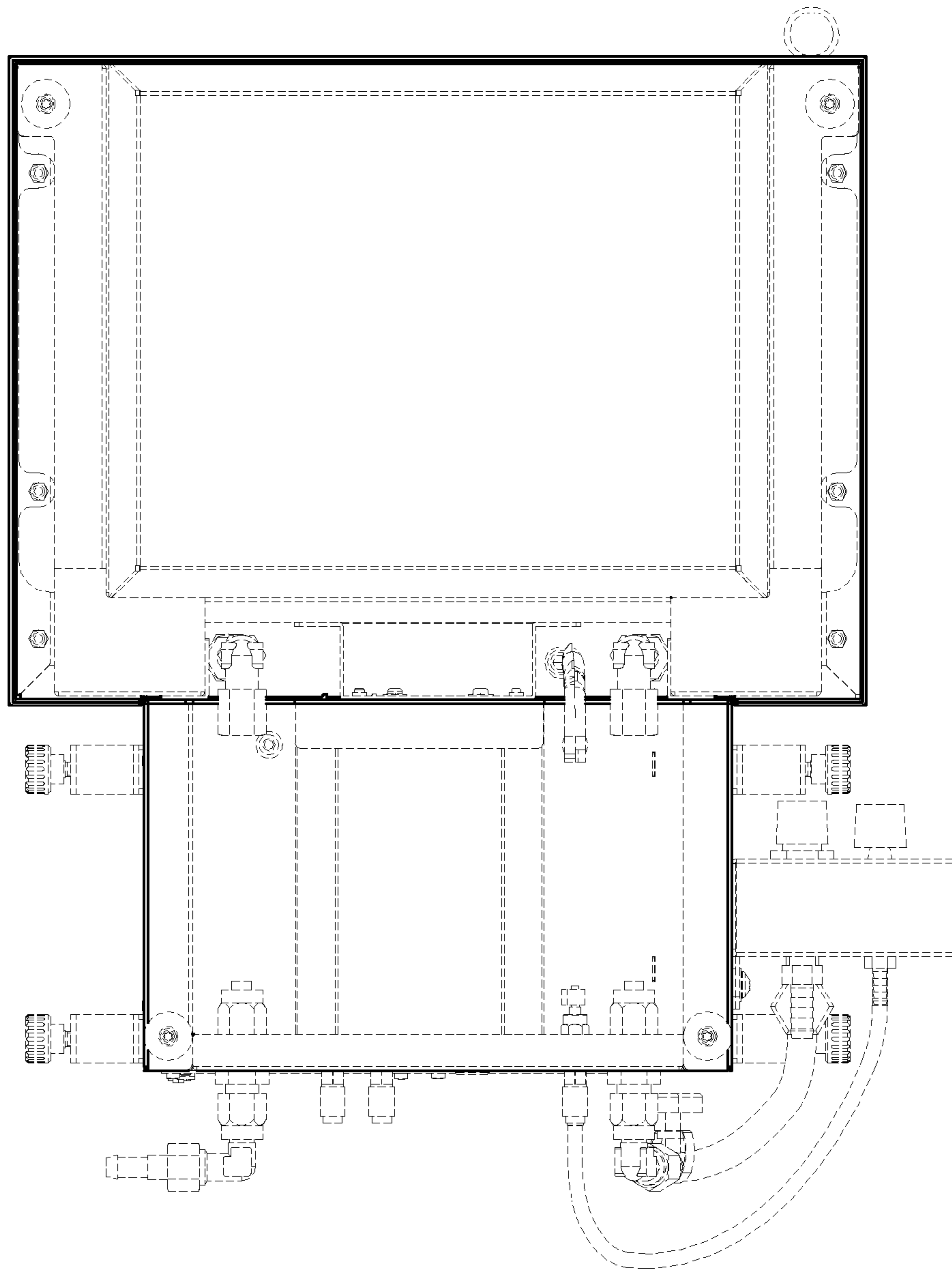


FIG. 7