



US00D693477S

(12) **United States Design Patent**
Isozaki

(10) **Patent No.:** **US D693,477 S**
(45) **Date of Patent:** **** Nov. 12, 2013**

(54) **MEDICAL BIOCHEMISTRY ANALYZER**

FOREIGN PATENT DOCUMENTS

(75) Inventor: **Makoto Isozaki**, Tokyo (JP)

JP D1178917 S 7/2003

(73) Assignee: **FUJIFILM Corporation**, Tokyo (JP)

JP D1300560 S 5/2007

JP D1345385 S 12/2008

(**) Term: **14 Years**

OTHER PUBLICATIONS

(21) Appl. No.: **29/429,261**

Official Action, dated Apr. 10, 2013, issued in corresponding RU Application No. 2012502818, 7 pages in English and Russian.

(22) Filed: **Aug. 8, 2012**

* cited by examiner

(30) **Foreign Application Priority Data**

Primary Examiner — Anhdao Doan

Feb. 10, 2012 (JP) 2012-002797

(74) *Attorney, Agent, or Firm* — Sughrue Mion, PLLC

(51) **LOC (9) Cl.** **24-01**

(57) **CLAIM**

(52) **U.S. Cl.**

The ornamental design for a medical biochemistry analyzer, as shown and described.

USPC **D24/216**

(58) **Field of Classification Search**

DESCRIPTION

USPC D24/216, 217, 219, 231, 232, 107, 169,
D24/186; D10/81; 422/62–65, 67; 436/43,
436/45, 47

See application file for complete search history.

FIG. 1 is a top, front and side perspective view of a medical biochemistry analyzer showing my new design;
FIG. 2 is a front elevational view thereof;
FIG. 3 is a rear elevational view thereof;
FIG. 4 is a top plan view thereof;
FIG. 5 is a bottom plan view thereof;
FIG. 6 is a left side elevational view thereof; and,
FIG. 7 is a right side elevational view thereof.

(56) **References Cited**

The broken lines in FIGS. 2, 5 and 7 are included for the purpose of illustrating portions of the medical biochemistry analyzer that form no part of the claimed design.

U.S. PATENT DOCUMENTS

5,645,800 A * 7/1997 Masterson et al. 422/65
6,042,786 A * 3/2000 Oonuma et al. 422/64
D508,999 S * 8/2005 Fanning et al. D24/216
D538,436 S 3/2007 Patadia et al.
D638,545 S * 5/2011 Okawa et al. D24/186
D640,581 S * 6/2011 Sato et al. D10/81
2004/0191120 A1 * 9/2004 Yanagawa 422/63

1 Claim, 7 Drawing Sheets

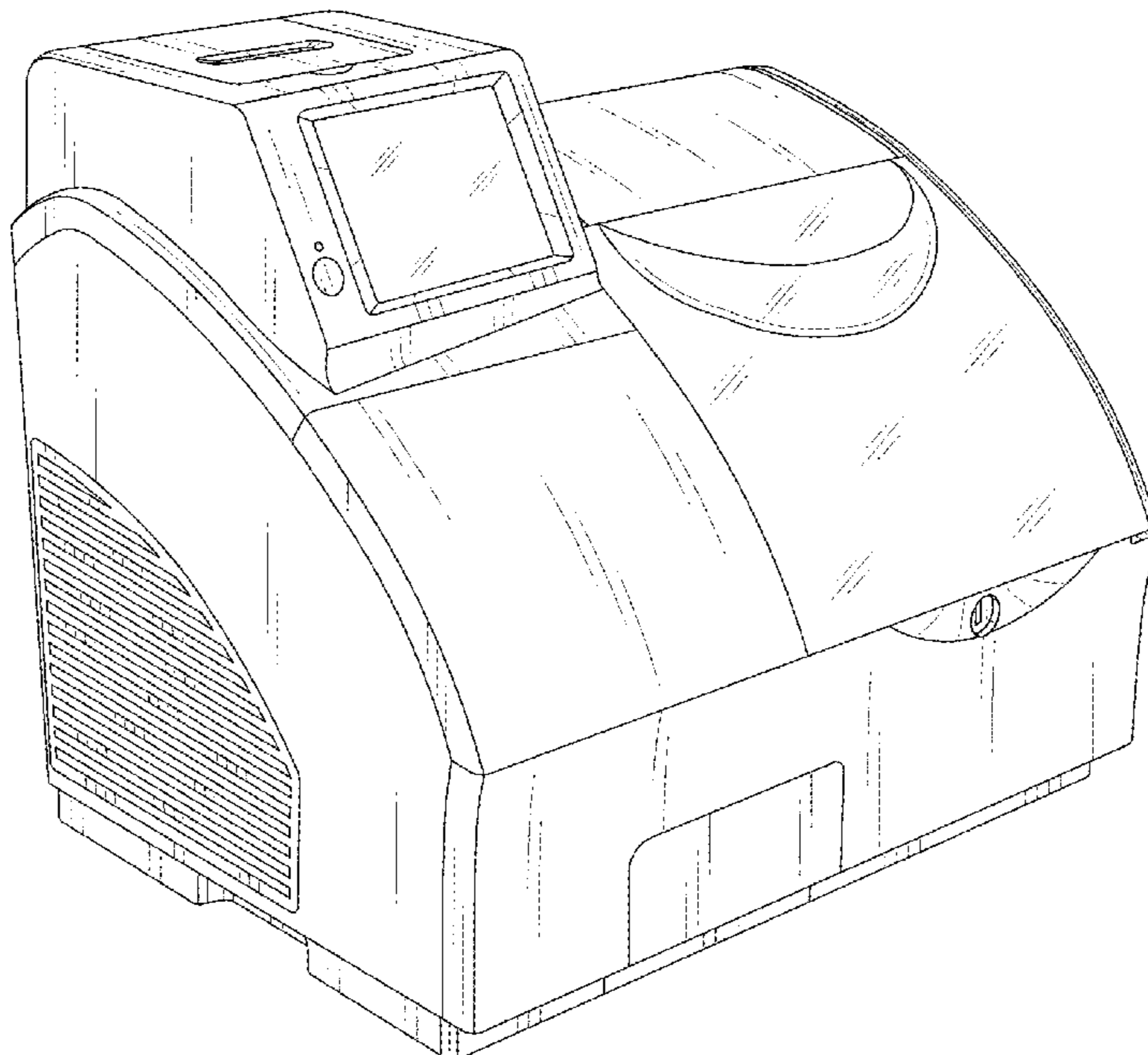


FIG. 1

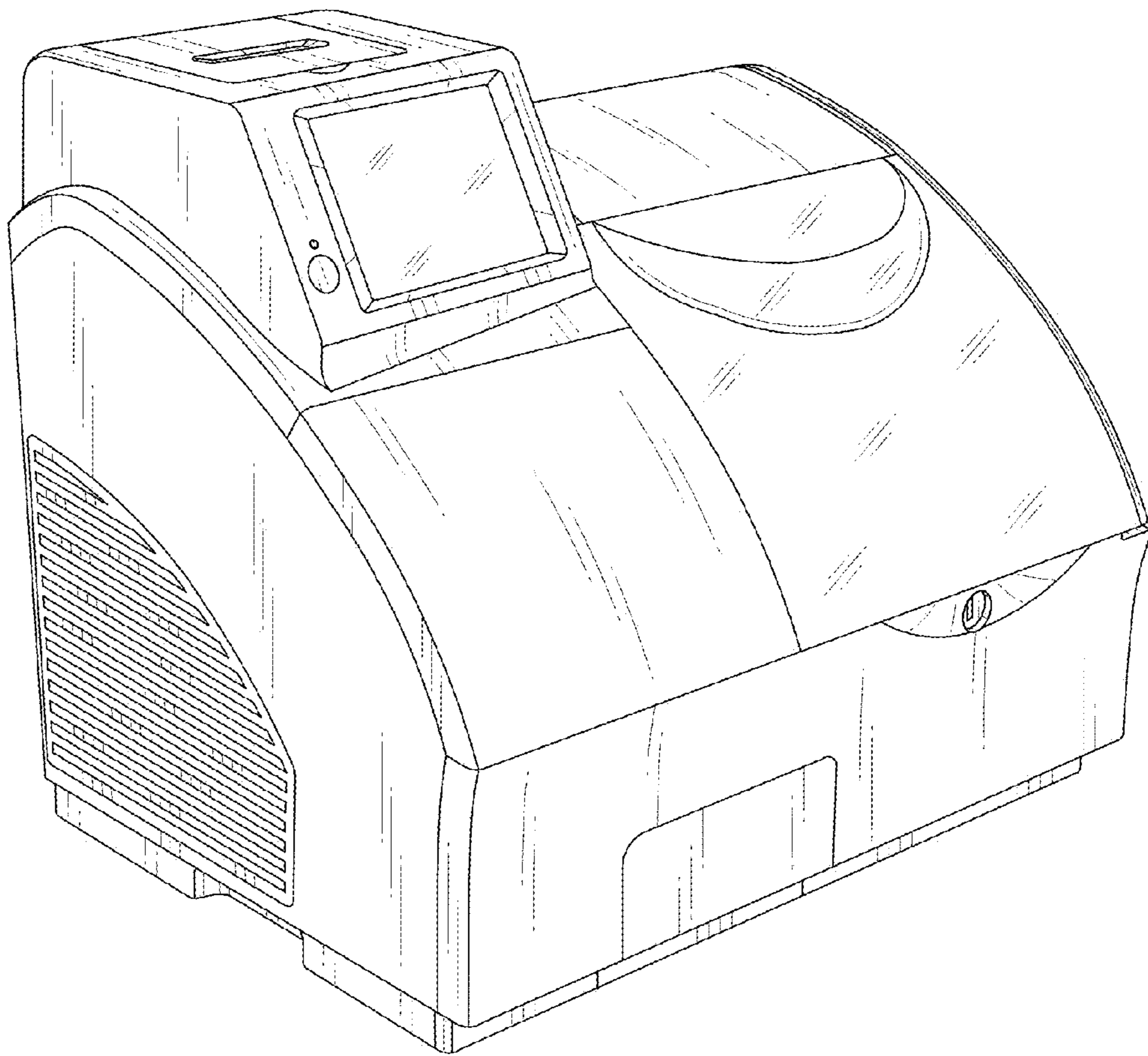


FIG. 2

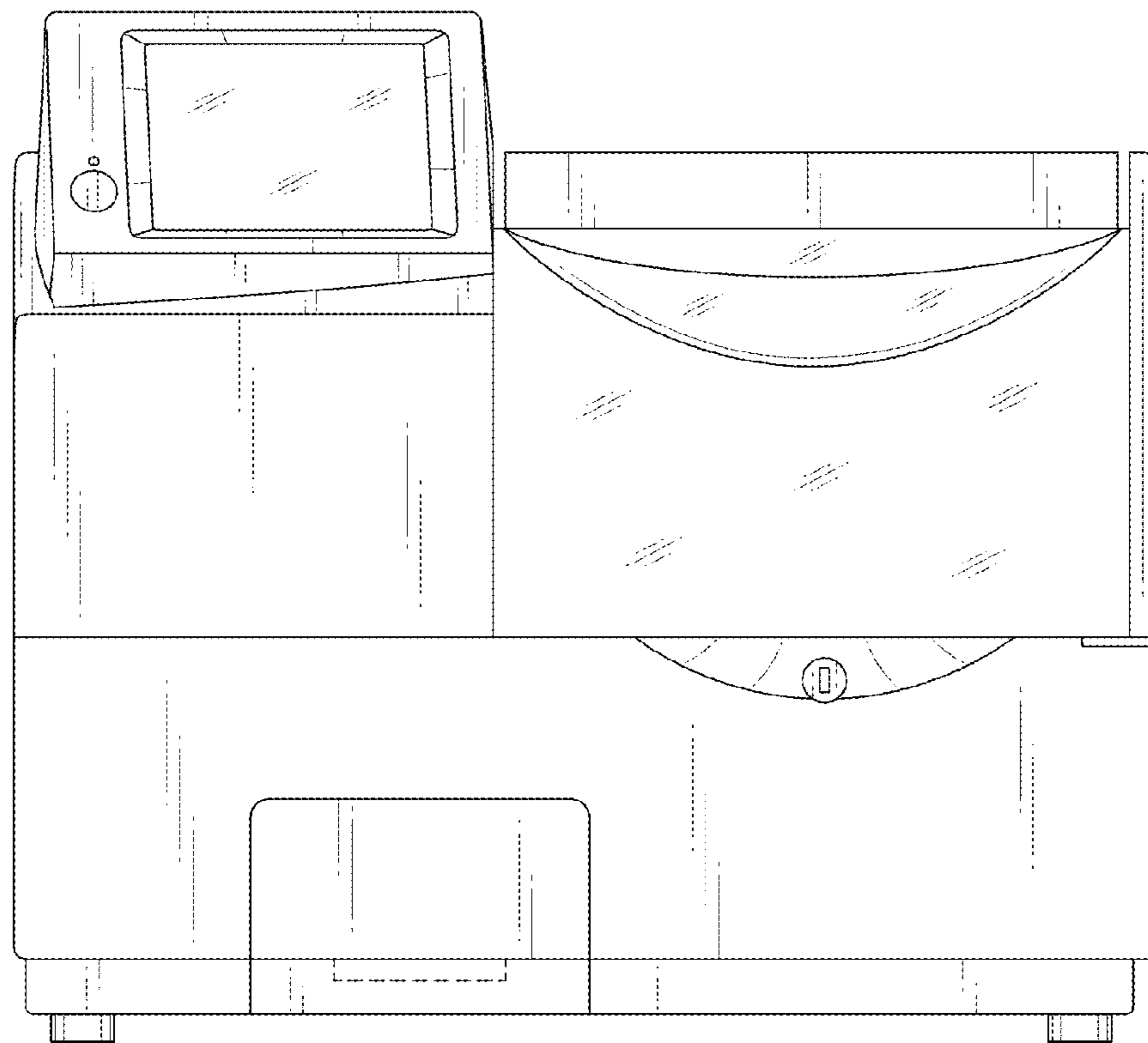


FIG. 3

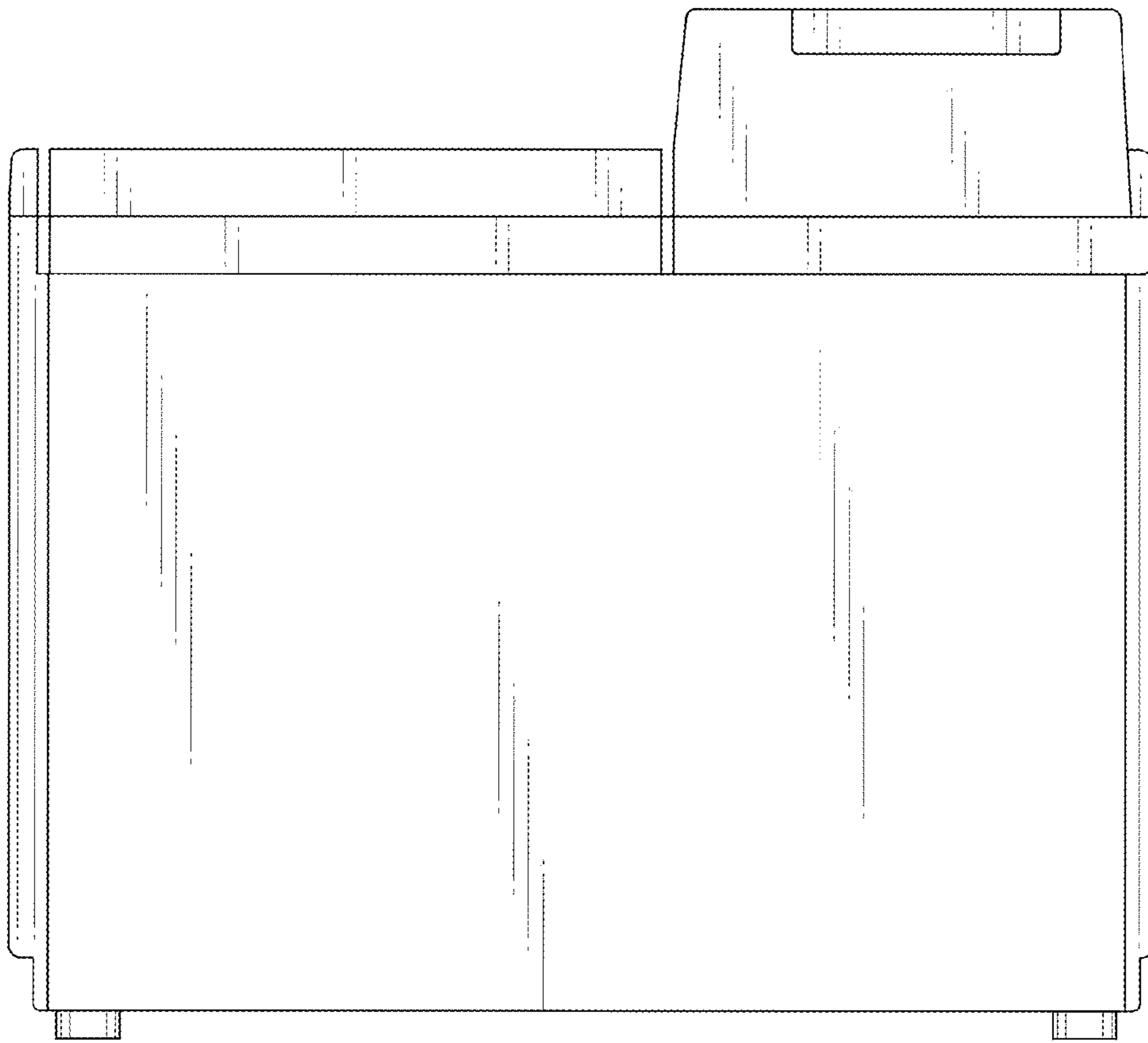


FIG. 4

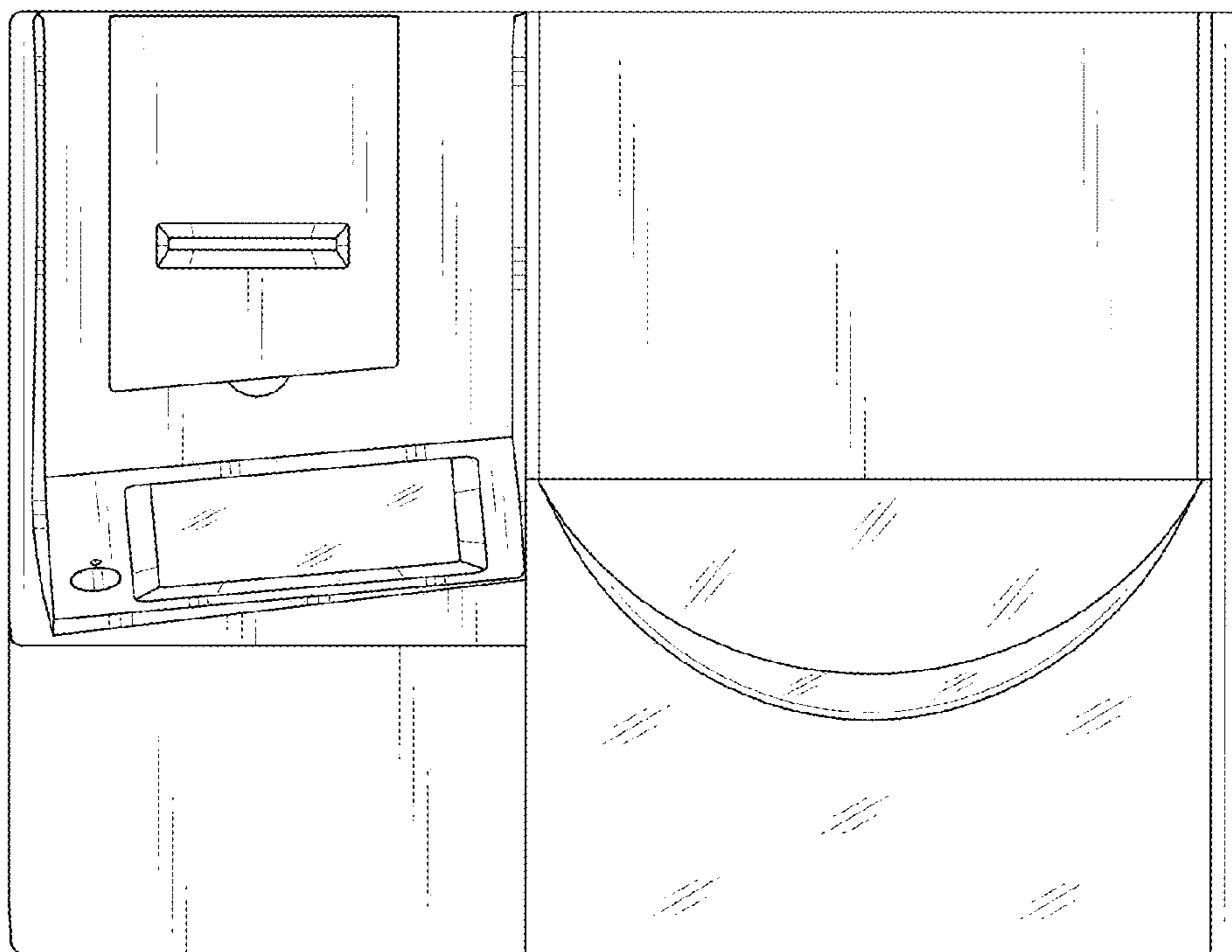


FIG. 5

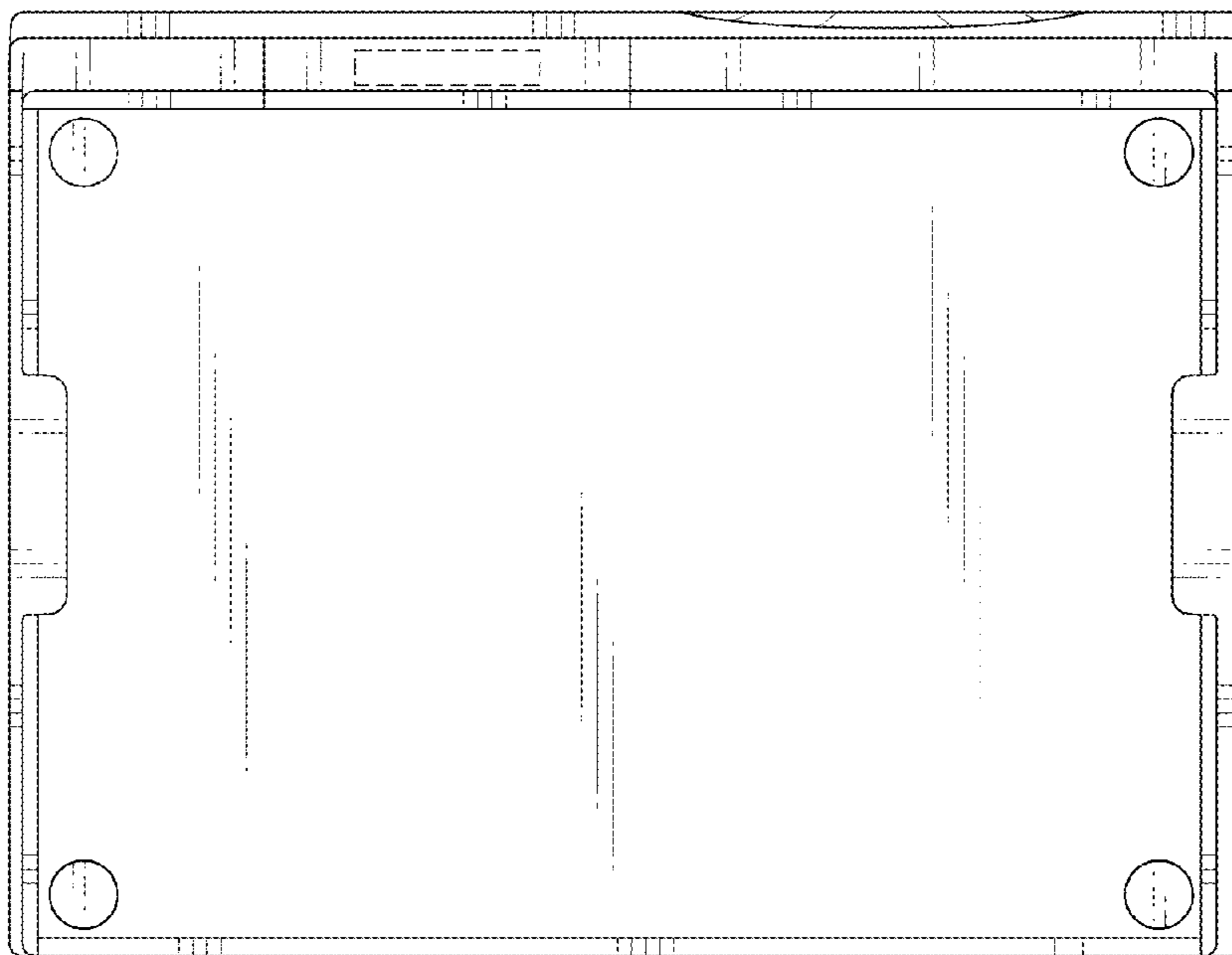


FIG. 6

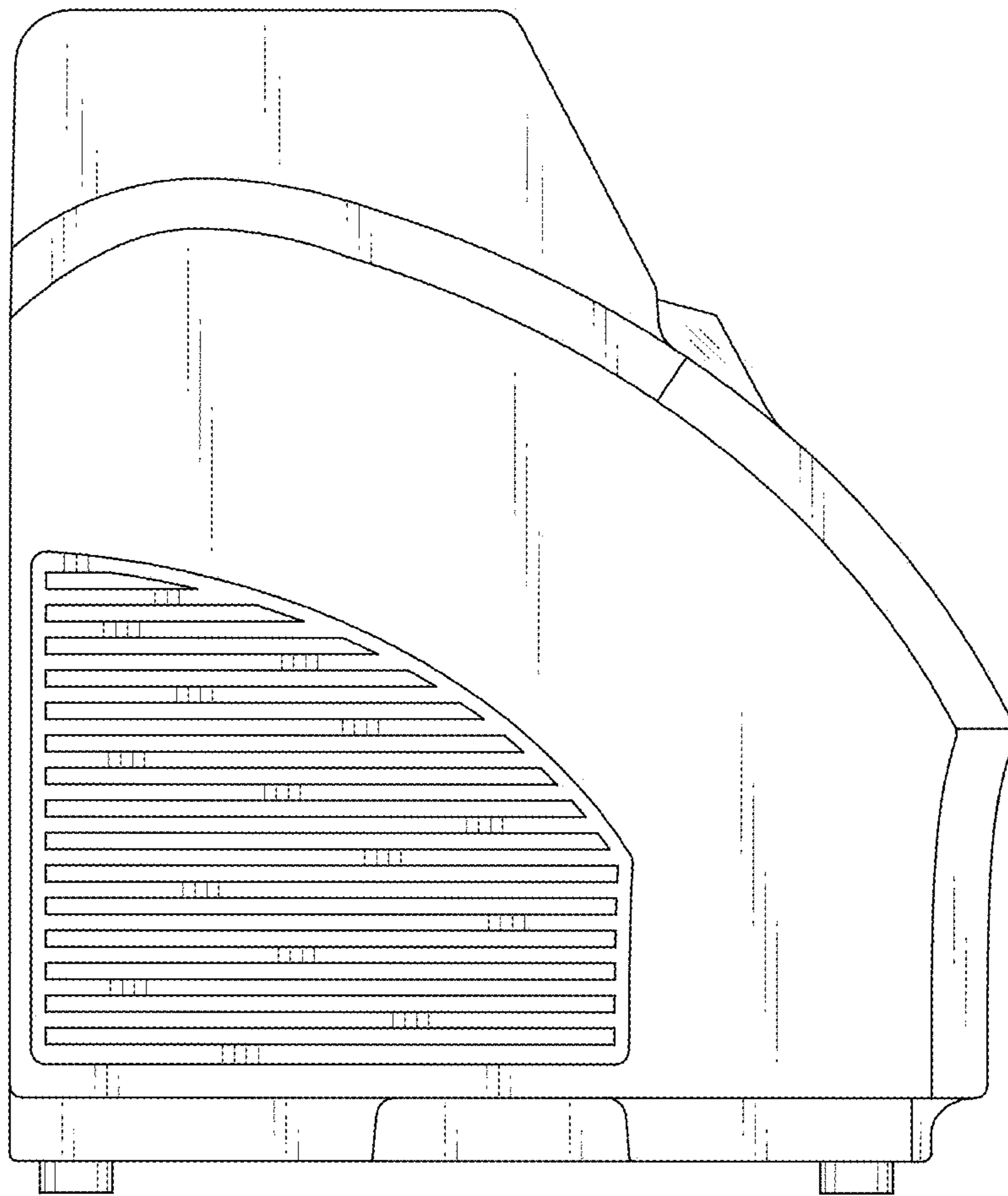


FIG. 7

