



US00D693475S

(12) **United States Design Patent**  
**Durette**

(10) **Patent No.:** **US D693,475 S**

(45) **Date of Patent:** **\*\* Nov. 12, 2013**

(54) **THERAPEUTIC FACE MASK**

(75) Inventor: **Jean-Francois Durette**, Montreal (CA)

(73) Assignee: **Oculo-Plastik, Inc.** (CA)

(\*\*) Term: **14 Years**

(21) Appl. No.: **29/389,205**

(22) Filed: **Apr. 7, 2011**

(51) **LOC (9) Cl.** ..... **24-04**

(52) **U.S. Cl.**  
USPC ..... **D24/207**

(58) **Field of Classification Search**  
USPC ..... D24/206–208, 189–192, 118; D28/9, 7,  
D28/99; 602/1–7, 17–27, 61–66, 74, 30;  
128/112.1, 117.1, 95.1, 96.1, 97.1,  
128/100.1, 101.1, 876; 606/204, 27;  
607/96, 108, 109, 111, 112;  
D29/121.2, 122, 101.2, 101.5, 120.1,  
D29/121.1; D3/327; D9/707; 601/15,  
601/DIG. 1; 126/204

See application file for complete search history.

(56) **References Cited**

**U.S. PATENT DOCUMENTS**

4,052,981	A *	10/1977	Bachmann	.....	601/71
4,559,047	A *	12/1985	Kapralis et al.	.....	607/109
4,585,797	A *	4/1986	Cioca	.....	514/773
D293,829	S *	1/1988	Johnston	.....	D28/9
D320,457	S *	10/1991	Dickinson	.....	D24/208
D332,310	S *	1/1993	Ahlen	.....	D24/208

D380,556	S *	7/1997	Ruscitti et al.	.....	D28/9
D434,852	S *	12/2000	Kim	.....	D24/200
6,241,711	B1	6/2001	Weissberg et al.		
D564,705	S *	3/2008	Ohnishi et al.	.....	D28/9
D570,541	S	6/2008	Ohnishi et al.		
D604,910	S	11/2009	Smaller		
D608,500	S	1/2010	Lu et al.		
D630,376	S *	1/2011	Yamamoto	.....	D28/7
D634,473	S *	3/2011	Koike	.....	D28/9
D646,842	S *	10/2011	Roman	.....	D28/7
D668,344	S *	10/2012	Baumwald et al.	.....	D24/206

\* cited by examiner

*Primary Examiner* — David Muller

(74) *Attorney, Agent, or Firm* — James C. Nemmers;  
Shuttleworth & Ingersoll, PLC

(57) **CLAIM**

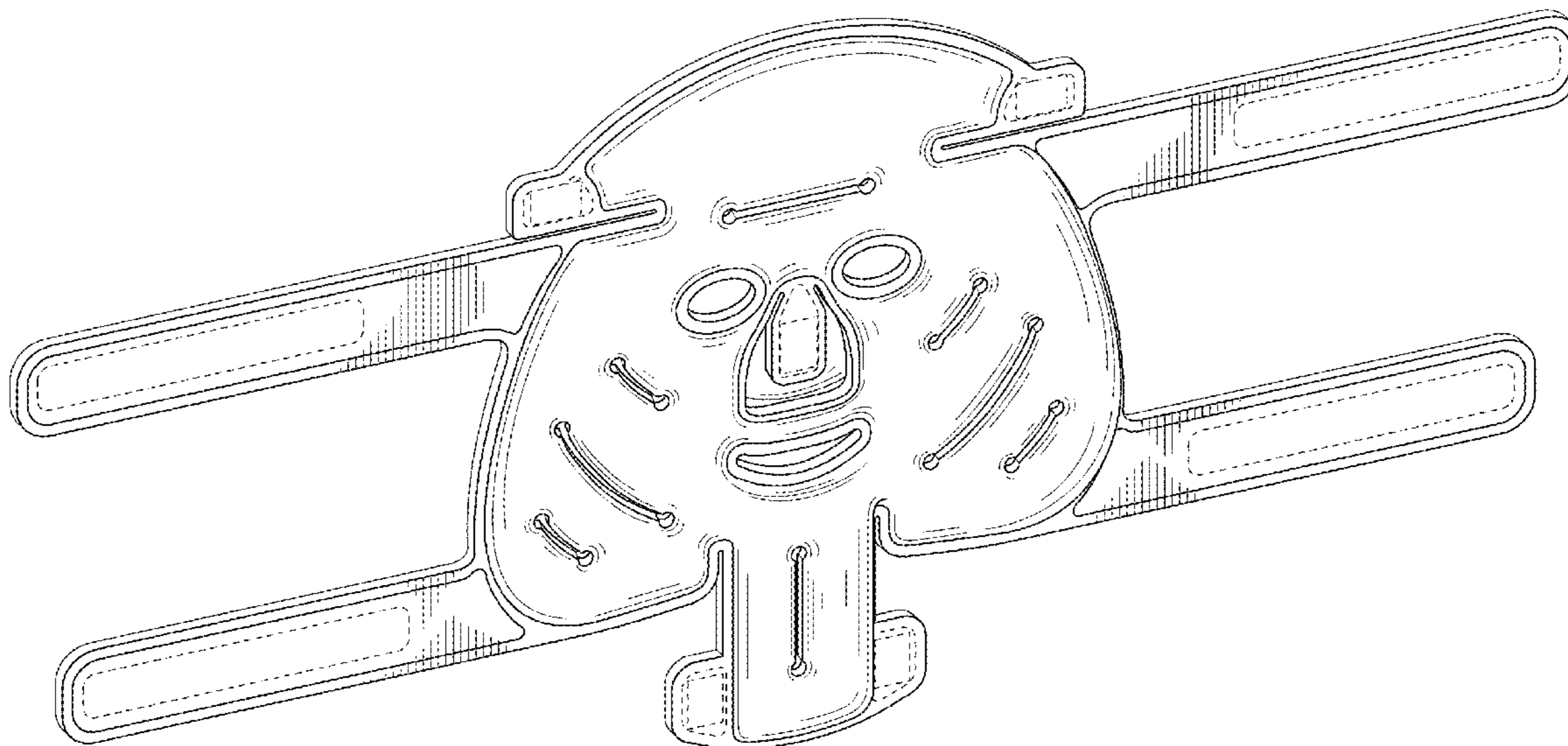
The ornamental design for a therapeutic face mask, as shown and described.

**DESCRIPTION**

FIG. 1 is a perspective view of the face mask of the invention; FIG. 2 is a front elevational view of the face mask; FIG. 3 is a rear elevational view of the face mask; FIG. 4 is a bottom view of the face mask; FIG. 5 is a top view of the face mask; FIG. 6 is an end view of the mask, viewing the mask from the right side of FIG. 2; and, FIG. 7 is an end view of the mask, viewing the mask from the left side of FIG. 2.

The broken line showing of parts of the drawings is included for the purpose of illustrating use and environment and forms no part of the claimed design.

**1 Claim, 5 Drawing Sheets**



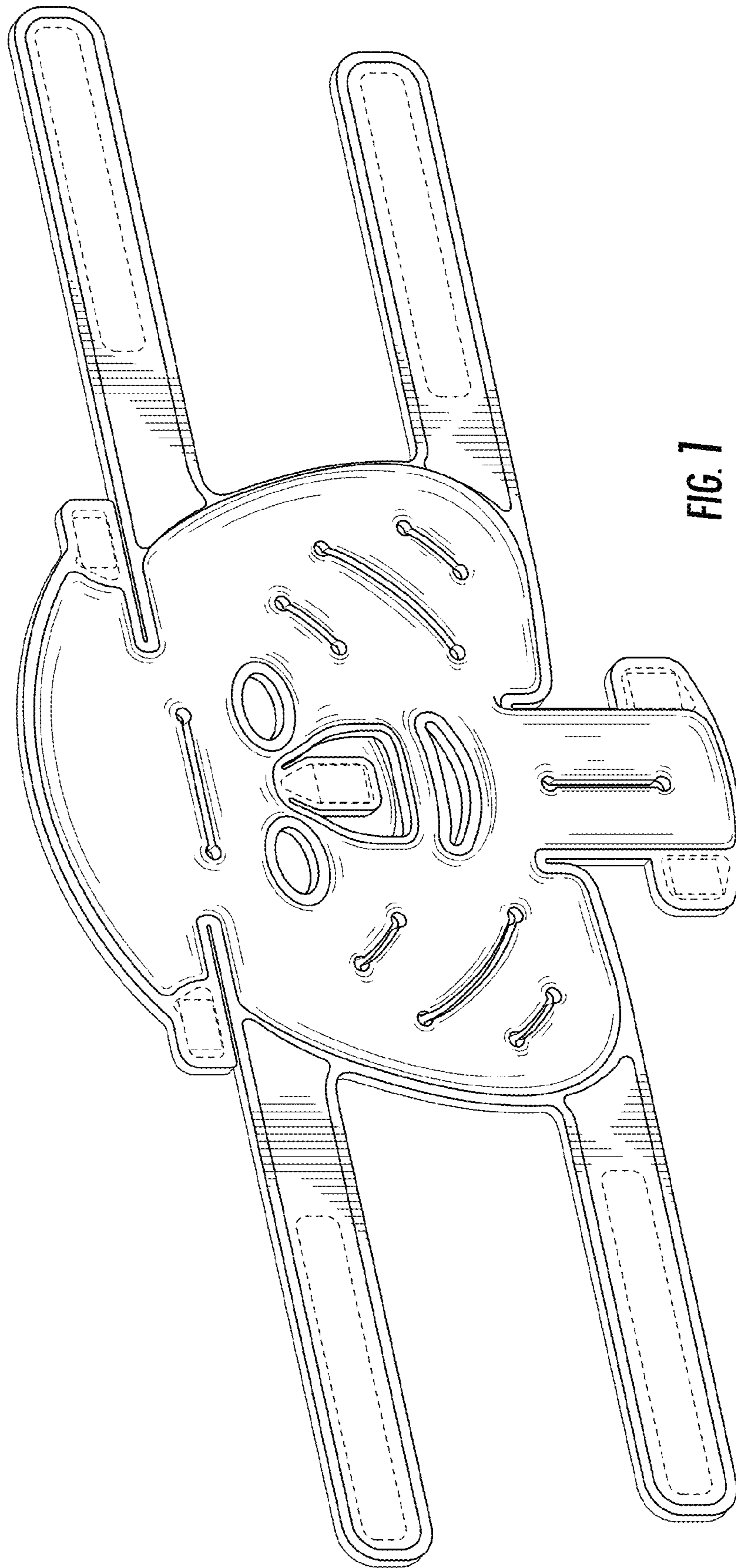


FIG. 7

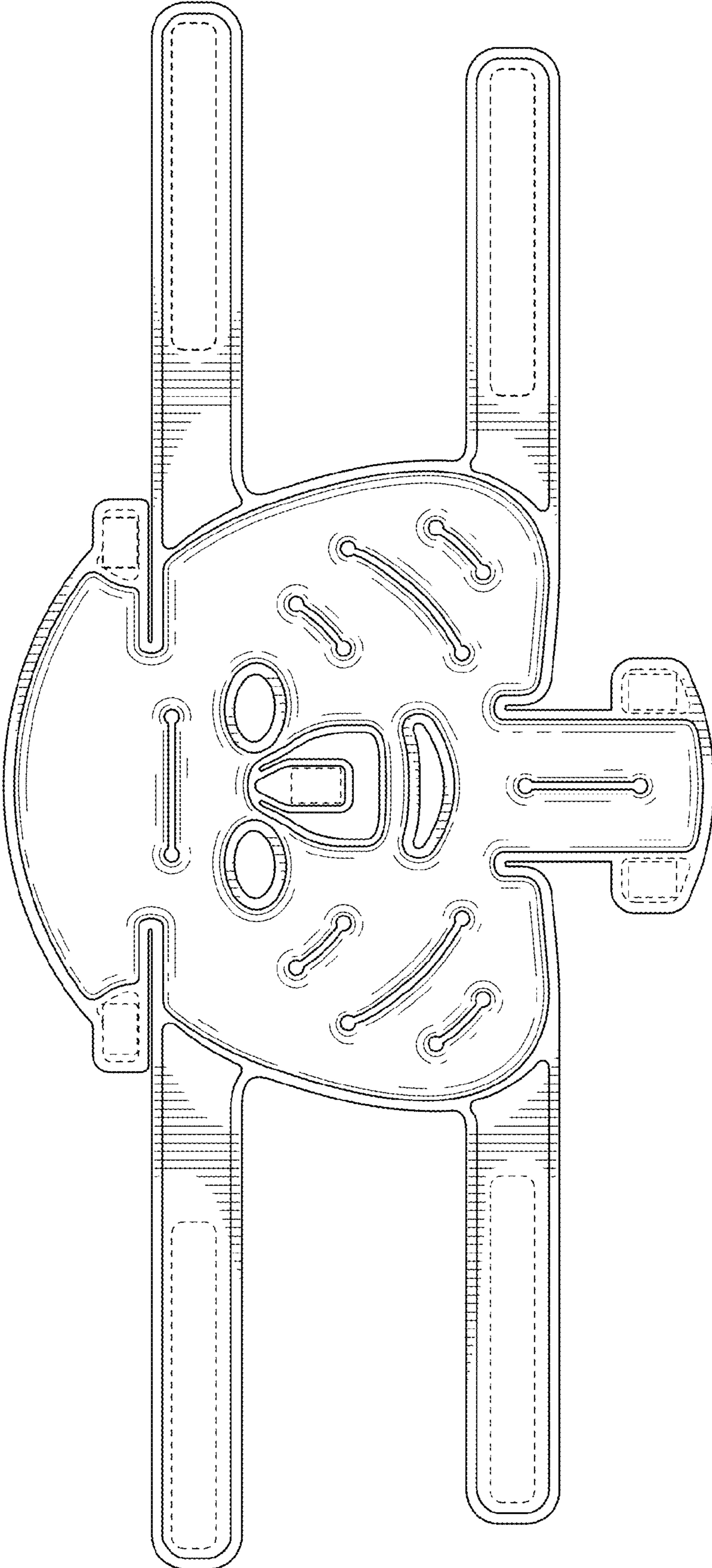


FIG. 2

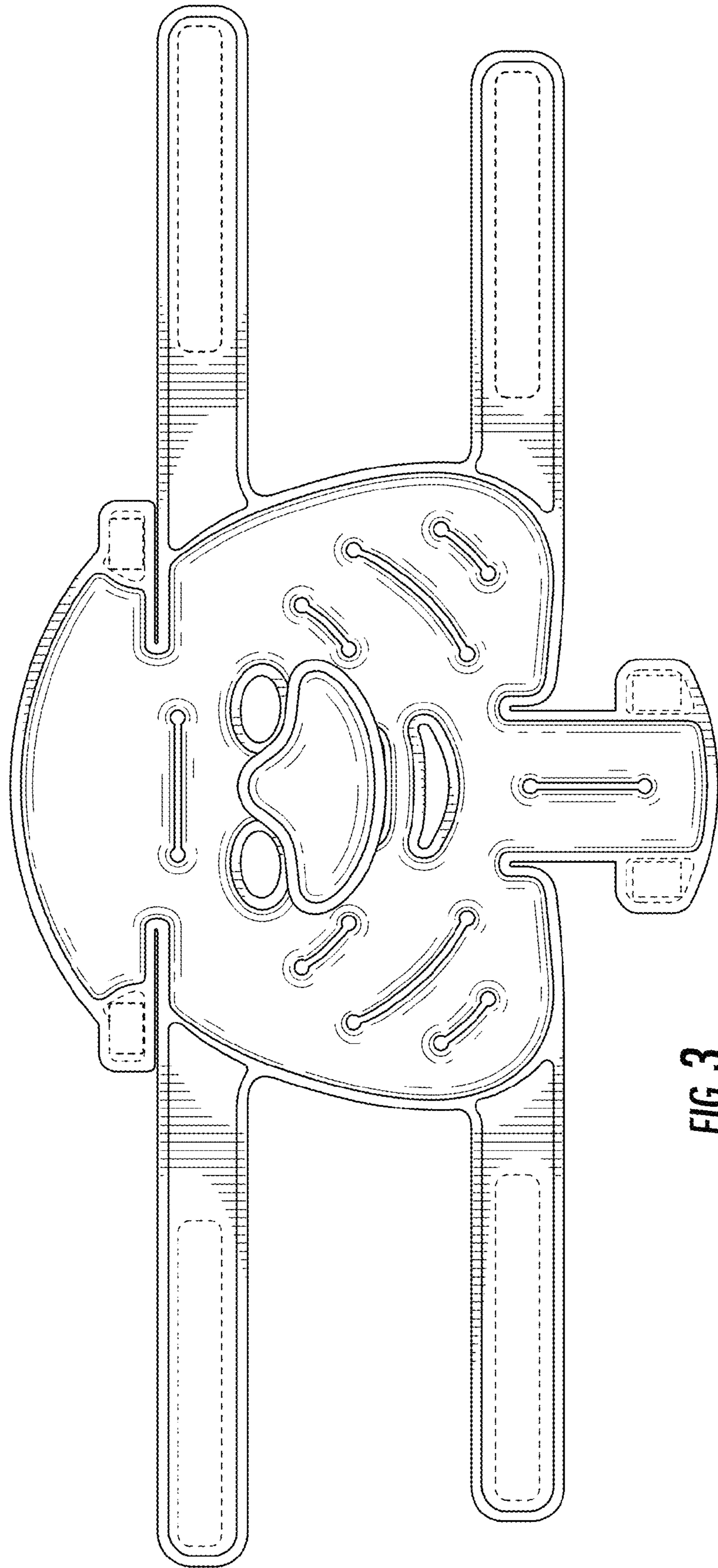


FIG. 3

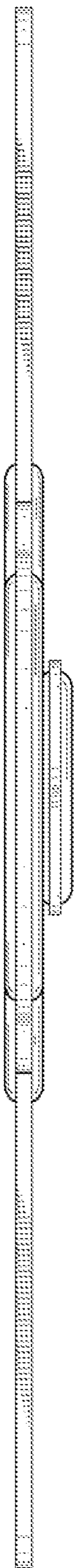


FIG. 5

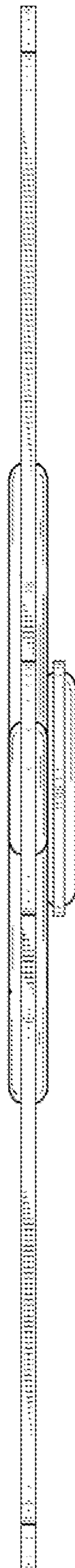
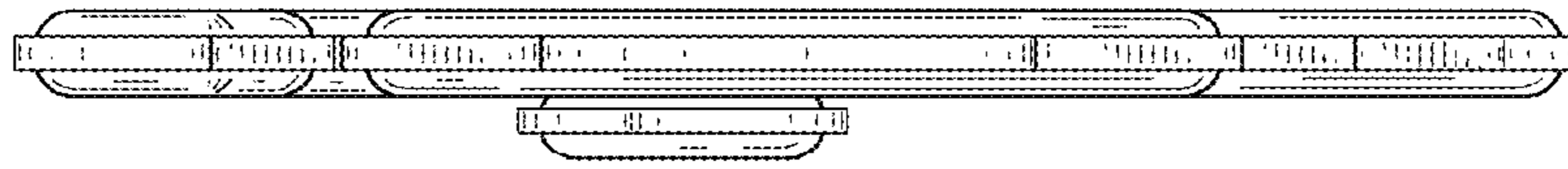
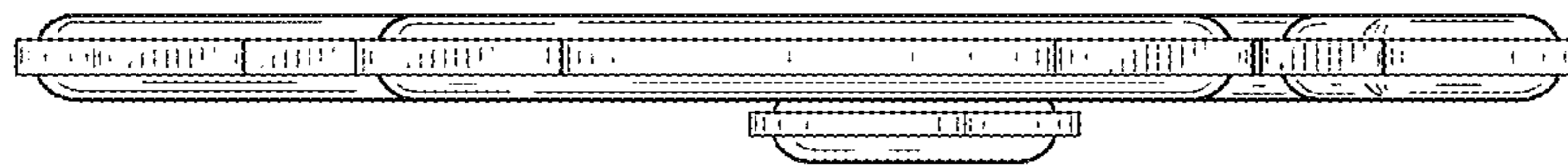


FIG. 4



**FIG. 6**



**FIG. 7**