



US00D693474S

(12) **United States Design Patent**
Steimle et al.

(10) **Patent No.:** **US D693,474 S**
(45) **Date of Patent:** **** Nov. 12, 2013**

(54) **SPA AND POOL DIRECTIONAL FLOW COMPONENT**

(71) Applicant: **California Pools**, Irvine, CA (US)

(72) Inventors: **Vanz Mark Steimle**, Huntington Beach, CA (US); **Martyn Keats**, Moorpark, CA (US)

(73) Assignee: **California Pools**, Irvine, CA (US)

(**) Term: **14 Years**

(21) Appl. No.: **29/434,825**

(22) Filed: **Oct. 17, 2012**

(51) **LOC (9) Cl.** **23-01**

(52) **U.S. Cl.**
USPC **D24/201**

(58) **Field of Classification Search**
USPC D24/201, 204, 205; D23/277, 260, 261;
4/541.1-541.6, 547, 578.1, 579, 492
See application file for complete search history.

(56) **References Cited**

U.S. PATENT DOCUMENTS

3,570,766 A * 3/1971 Johnson 239/265.11
5,291,621 A * 3/1994 Mathis 4/541.4

D380,034 S * 6/1997 Simonette D23/218
D450,804 S * 11/2001 Srinath et al. D23/213
D500,838 S * 1/2005 Pavlik D23/213
7,143,783 B2 * 12/2006 Emke et al. 137/512.1
D592,311 S * 5/2009 Huff et al. D24/201
D598,561 S * 8/2009 Vogtner et al. D24/204
D608,009 S * 1/2010 Vogtner et al. D24/204
D609,356 S * 2/2010 Vogtner et al. D24/204
D619,203 S * 7/2010 Mazzei D23/213
D643,932 S * 8/2011 Vogtner et al. D24/201
D644,781 S * 9/2011 Kawagoe et al. D26/120
2012/0131741 A1 5/2012 Steimle et al.

* cited by examiner

Primary Examiner — David Muller

(74) *Attorney, Agent, or Firm* — Knobbe, Martens, Olson & Bear LLP

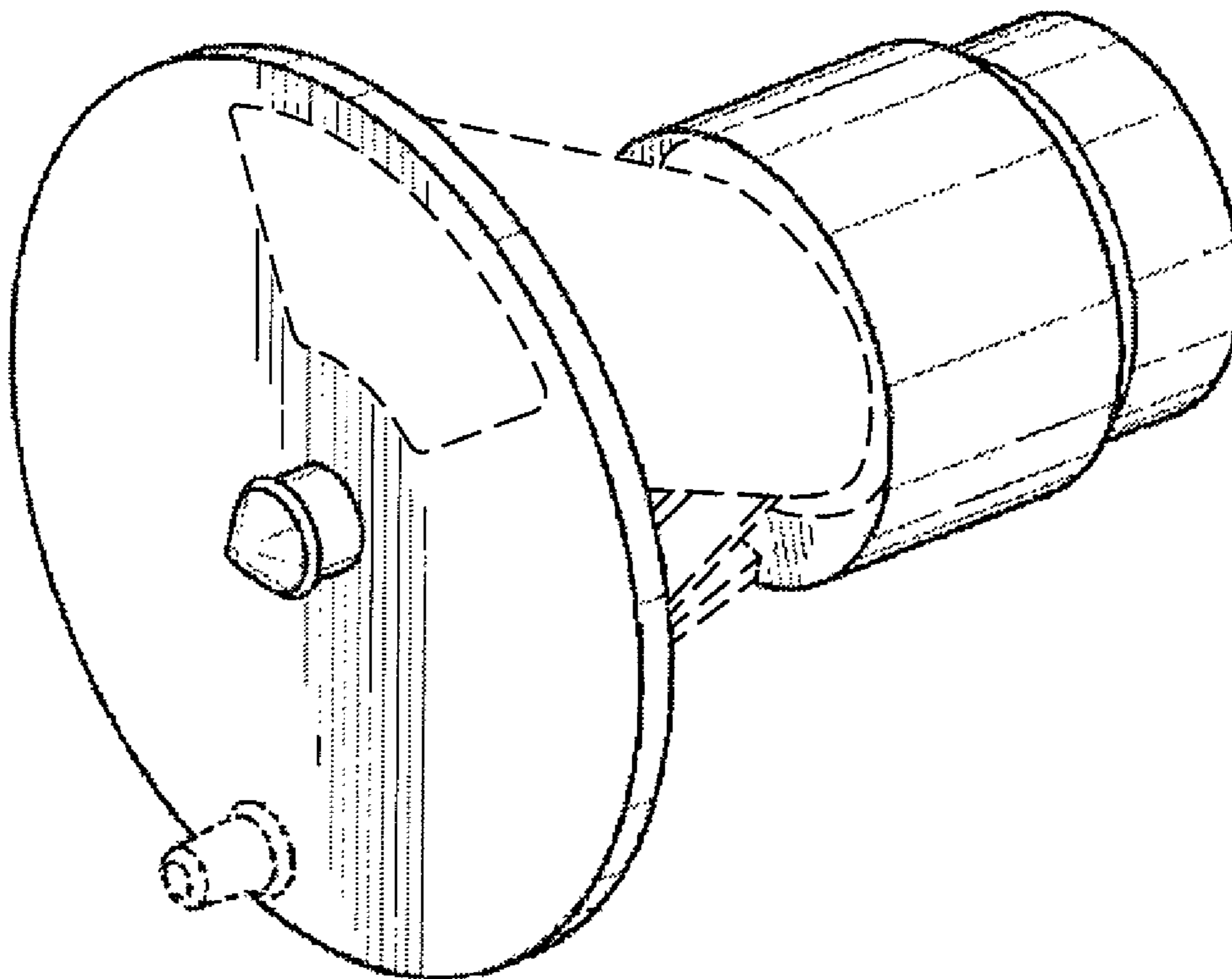
(57) **CLAIM**

The ornamental design for a spa and pool directional flow component, as shown and described.

DESCRIPTION

FIG. 1 is a top view of a spa and pool directional flow component showing my new design;
FIG. 2 is a side perspective view thereof; and,
FIG. 3 is a side view of one side thereof.
The features shown in broken lines depict environmental subject matter only and form no part of the claimed design.

1 Claim, 2 Drawing Sheets



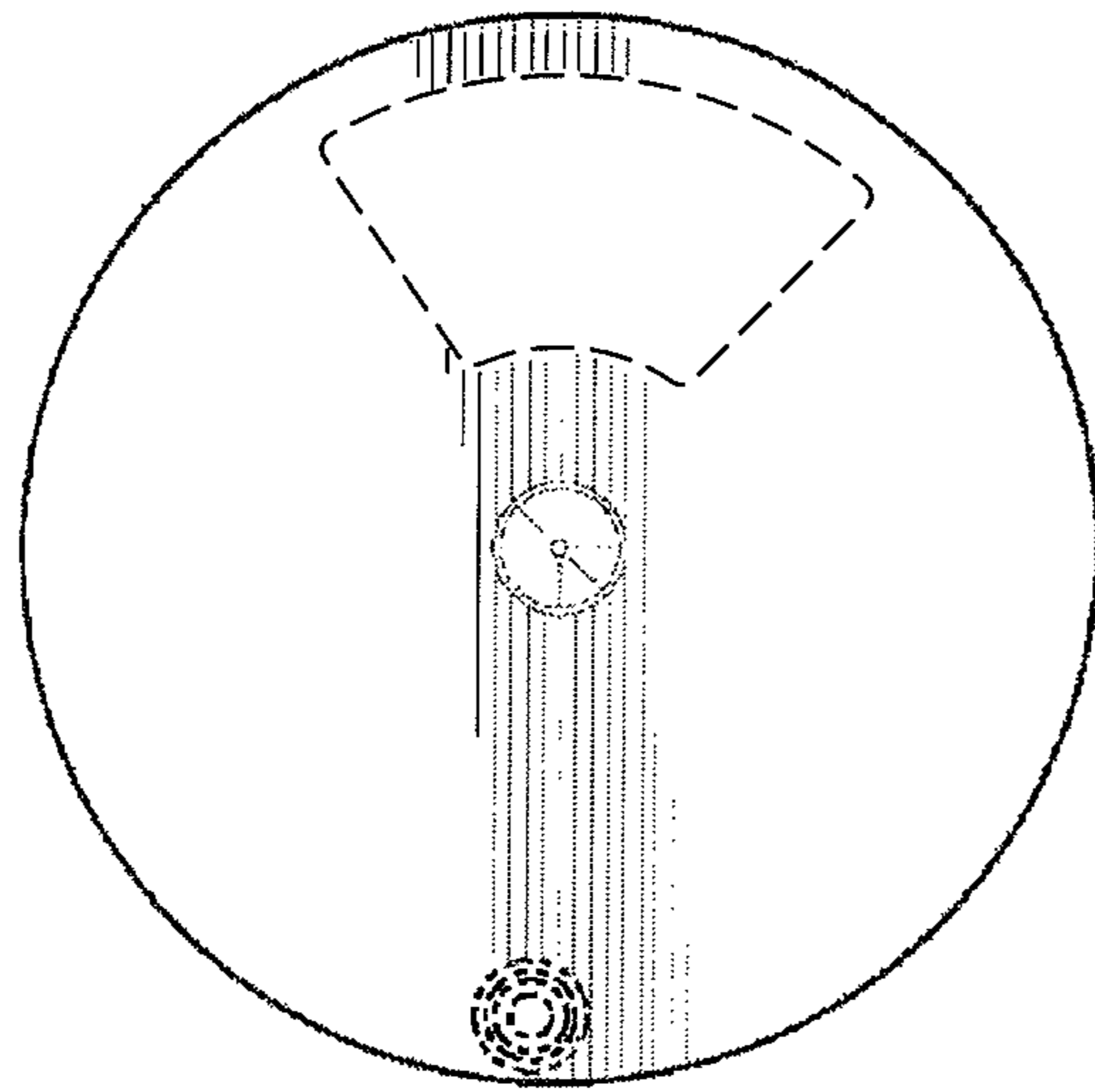


FIG. 1

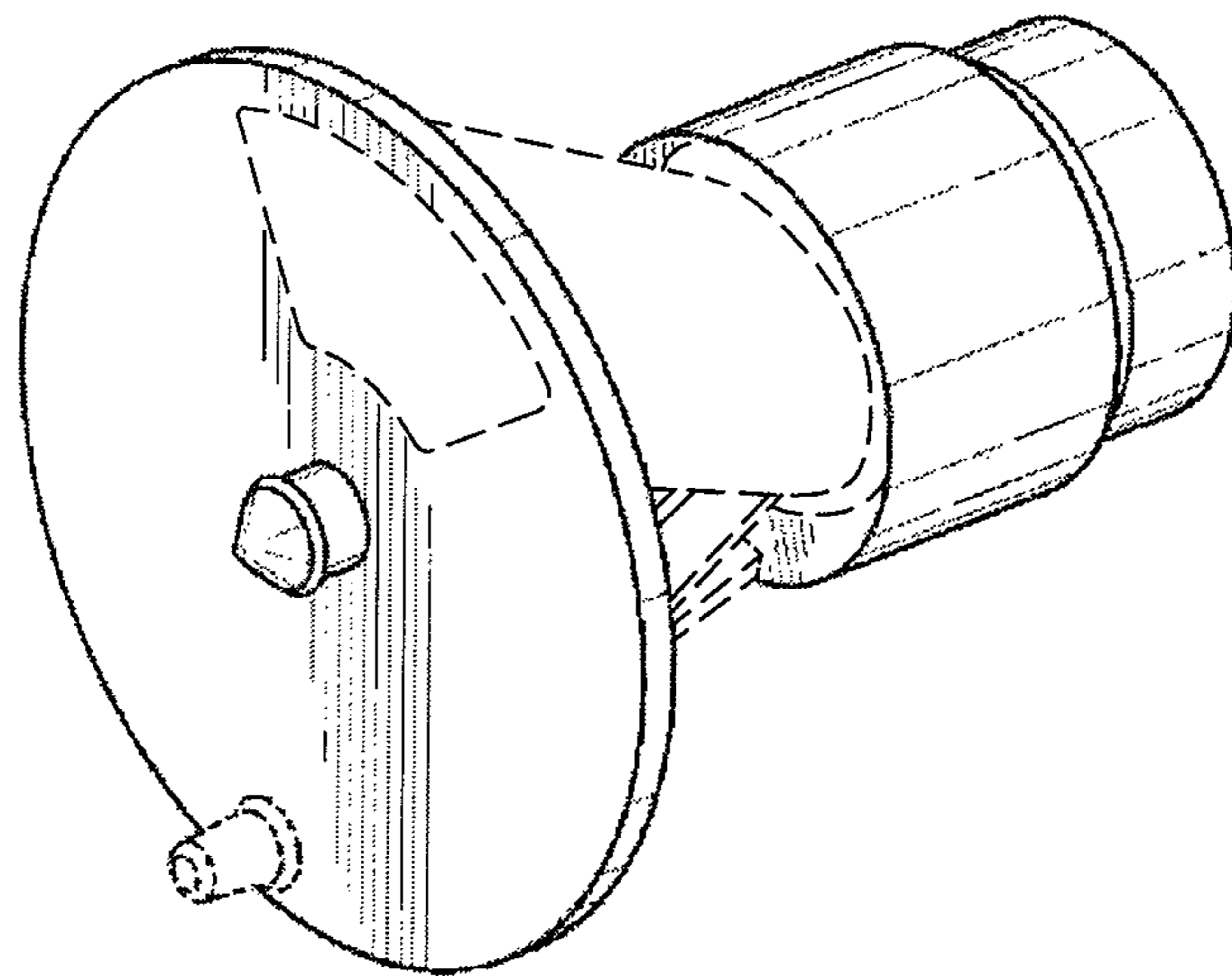


FIG. 2

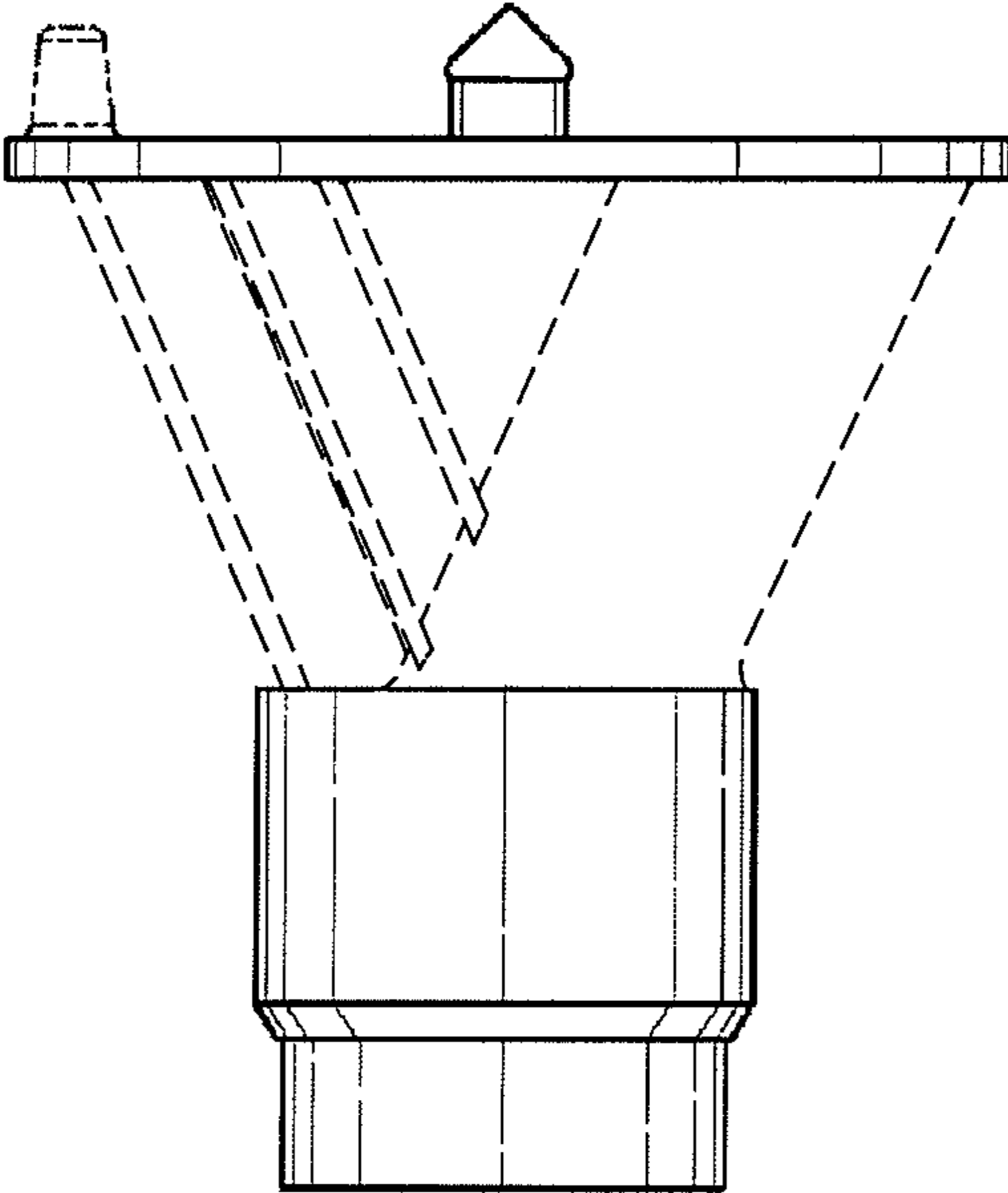


FIG. 3