



US00D693473S

(12) **United States Design Patent**  
**Steimle et al.**

(10) **Patent No.:** **US D693,473 S**

(45) **Date of Patent:** **\*\* Nov. 12, 2013**

(54) **SPA AND POOL JET SPINDLE**

(71) Applicant: **California Pools**, Irvine, CA (US)

(72) Inventors: **Vanz Mark Steimle**, Huntington Beach, CA (US); **Martyn Keats**, Moorpark, CA (US)

(73) Assignee: **California Pools**, Irvine, CA (US)

(\*\*) Term: **14 Years**

(21) Appl. No.: **29/434,823**

(22) Filed: **Oct. 17, 2012**

(51) **LOC (9) Cl.** ..... **23-01**

(52) **U.S. Cl.**  
USPC ..... **D24/201**

(58) **Field of Classification Search**  
USPC ..... D24/201, 204, 205; D23/277, 260, 261;  
4/541.1-541.6, 547, 578.1, 579, 492  
See application file for complete search history.

(56) **References Cited**

**U.S. PATENT DOCUMENTS**

3,570,766 A \* 3/1971 Johnson ..... 239/265.11  
5,291,621 A \* 3/1994 Mathis ..... 4/541.4  
D380,034 S \* 6/1997 Simonette ..... D23/218  
D450,804 S \* 11/2001 Srinath et al. .... D23/213

D500,838 S \* 1/2005 Pavlik ..... D23/213  
7,143,783 B2 \* 12/2006 Emke et al. .... 137/512.1  
D592,311 S \* 5/2009 Huff et al. .... D24/201  
D598,561 S \* 8/2009 Vogtner et al. .... D24/204  
D608,009 S \* 1/2010 Vogtner et al. .... D24/204  
D609,356 S \* 2/2010 Vogtner et al. .... D24/204  
D619,203 S \* 7/2010 Mazzei ..... D23/213  
D643,932 S \* 8/2011 Vogtner et al. .... D24/201  
D644,781 S \* 9/2011 Kawagoe et al. .... D26/120  
2012/0131741 A1 5/2012 Steimle

\* cited by examiner

*Primary Examiner* — David Muller

(74) *Attorney, Agent, or Firm* — Knobbe, Martens, Olson & Bear LLP

(57) **CLAIM**

The ornamental design for a spa and pool jet spindle, as shown and described.

**DESCRIPTION**

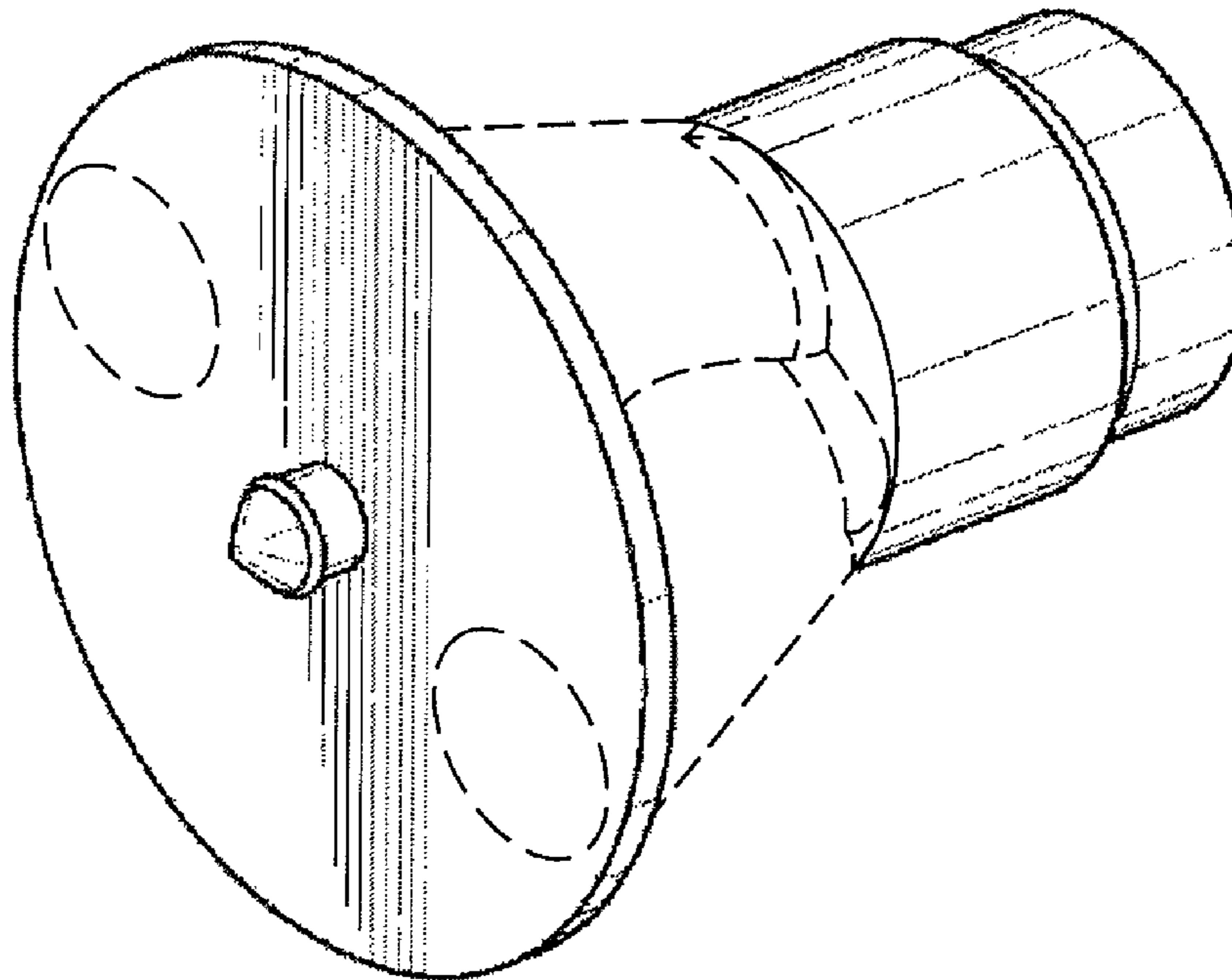
FIG. 1 is a top view of a spa and pool jet spindle showing my new design;

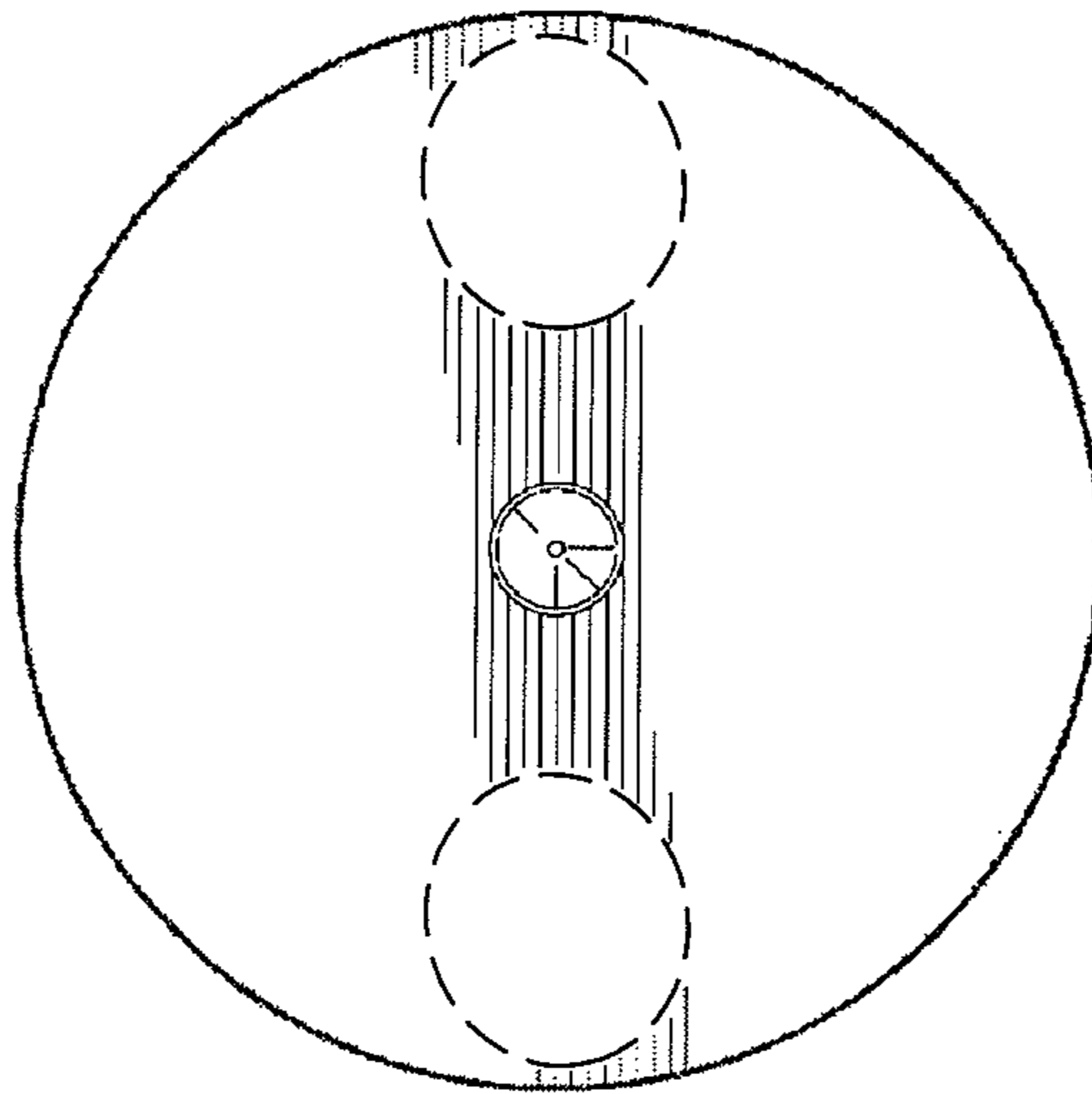
FIG. 2 is a side perspective view thereof; and,

FIG. 3 is a side view of one side thereof.

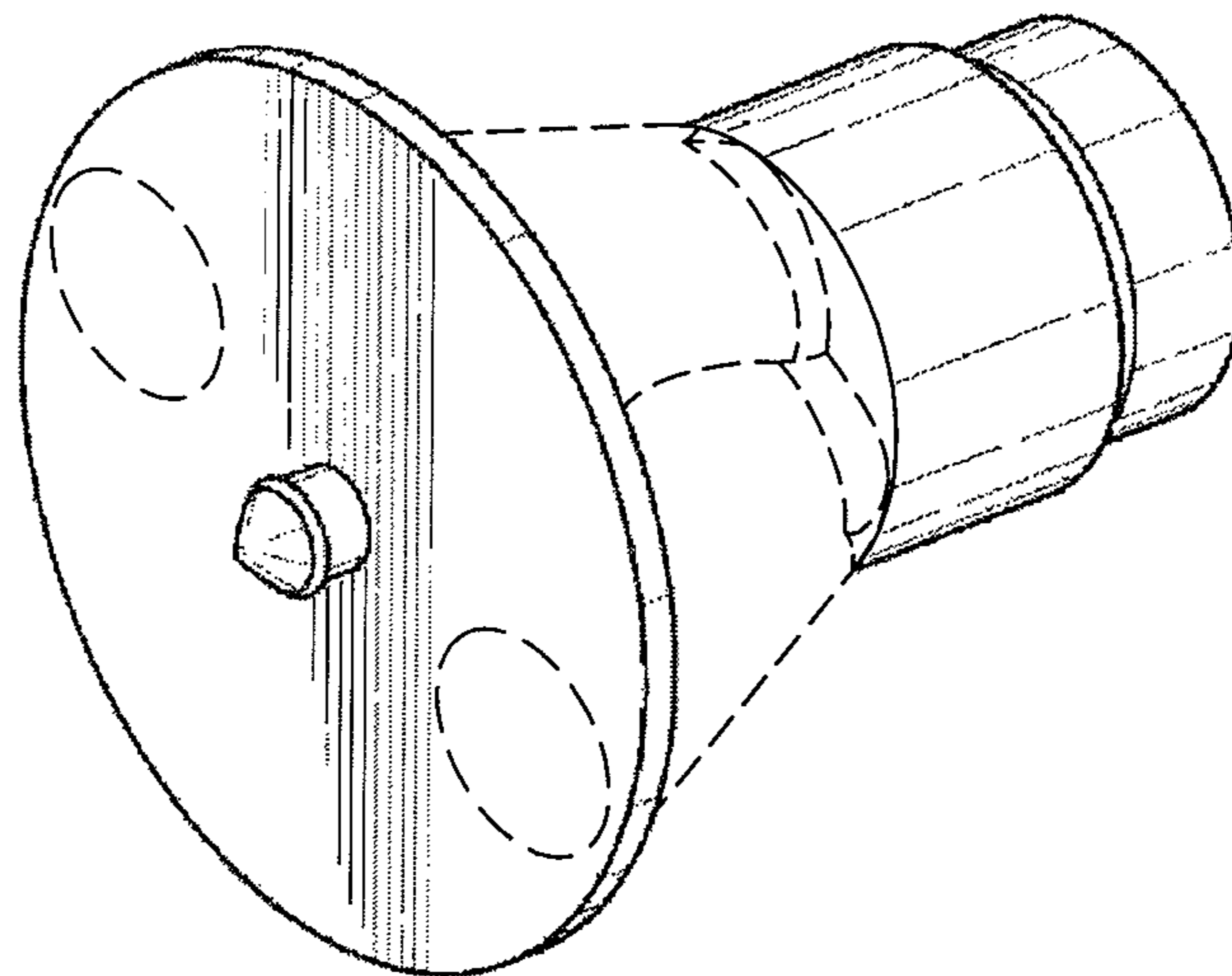
The features shown in broken lines depict environmental subject matter only and form no part of the claimed design.

**1 Claim, 2 Drawing Sheets**

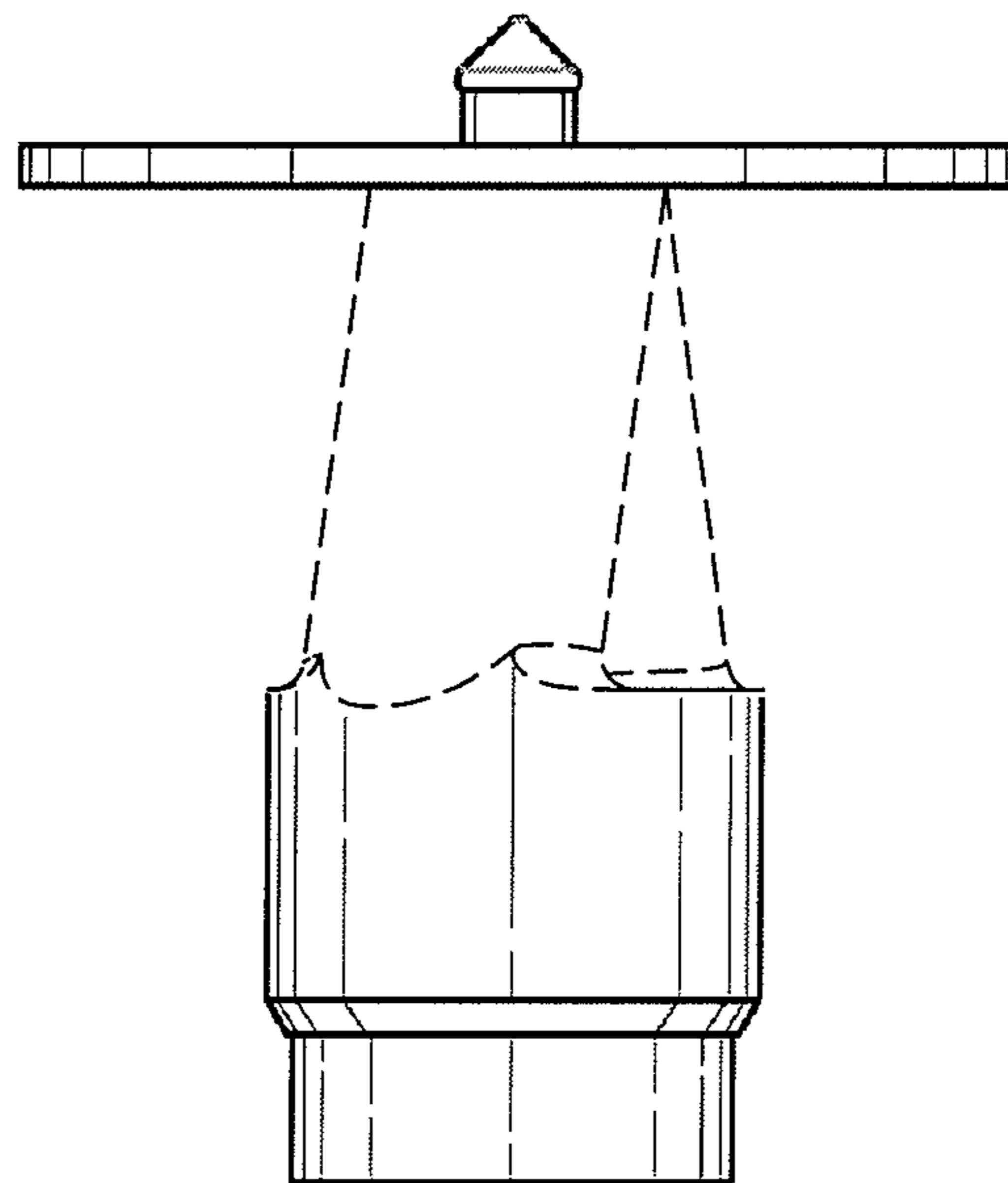




*FIG. 1*



*FIG. 2*



*FIG. 3*