



US00D693471S

(12) **United States Design Patent**  
**Bradshaw**

(10) **Patent No.:** **US D693,471 S**  
(45) **Date of Patent:** **\*\* Nov. 12, 2013**

(54) **ANKLE-FOOT ORTHOTIC**

(71) Applicant: **Scott Orthotics, LLC**, Spearfish, SD (US)

(72) Inventor: **Jason L. Bradshaw**, Eaton, CO (US)

(73) Assignee: **Scott Orthotics, LLC**, Spearfish, SD (US)

(\*\*) Term: **14 Years**

(21) Appl. No.: **29/448,501**

(22) Filed: **Mar. 12, 2013**

(51) **LOC (9) Cl.** ..... **24-01**

(52) **U.S. Cl.**  
USPC ..... **D24/192**

(58) **Field of Classification Search**  
USPC ..... D24/190, 192; 602/5, 7, 16, 23, 27, 28, 602/65; 128/882, 892; 5/630, 648, 651  
See application file for complete search history.

(56) **References Cited**

**U.S. PATENT DOCUMENTS**

4,771,768	A *	9/1988	Crispin	602/16
5,078,128	A *	1/1992	Grim et al.	602/23
D344,589	S *	2/1994	Kilbey	D24/192
5,577,998	A *	11/1996	Johnson et al.	602/5

D435,294	S *	12/2000	Pior et al.	D24/192
D473,654	S *	4/2003	Iglesias et al.	D24/192
D481,798	S *	11/2003	Slautterback et al.	D24/192
6,976,972	B2	12/2005	Bradshaw	
D519,211	S *	4/2006	Doty et al.	D24/192
7,624,519	B1 *	12/2009	Thorne	36/110
D614,775	S *	4/2010	Snively	D24/192
7,896,826	B2 *	3/2011	Hu et al.	602/23
D664,259	S *	7/2012	Joseph	D24/192
8,251,936	B2 *	8/2012	Fout et al.	602/23
2006/0116617	A1	6/2006	Bradshaw	

\* cited by examiner

*Primary Examiner* — Susan E Krakower

(74) *Attorney, Agent, or Firm* — Craig R. Miles; CR Miles, P.C.

(57) **CLAIM**

I claim the ornamental design for an ankle-foot orthotic, as shown and described.

**DESCRIPTION**

FIG. 1 is a top and left side perspective of an ankle-foot orthotic, showing my new design;  
FIG. 2 is a front elevation view thereof;  
FIG. 3 is a rear elevation view thereof;  
FIG. 4 is a left side elevation view thereof;  
FIG. 5 is a right side elevation view thereof;  
FIG. 6 is a top plan view thereof; and,  
FIG. 7 is a bottom plan view thereof.

**1 Claim, 6 Drawing Sheets**

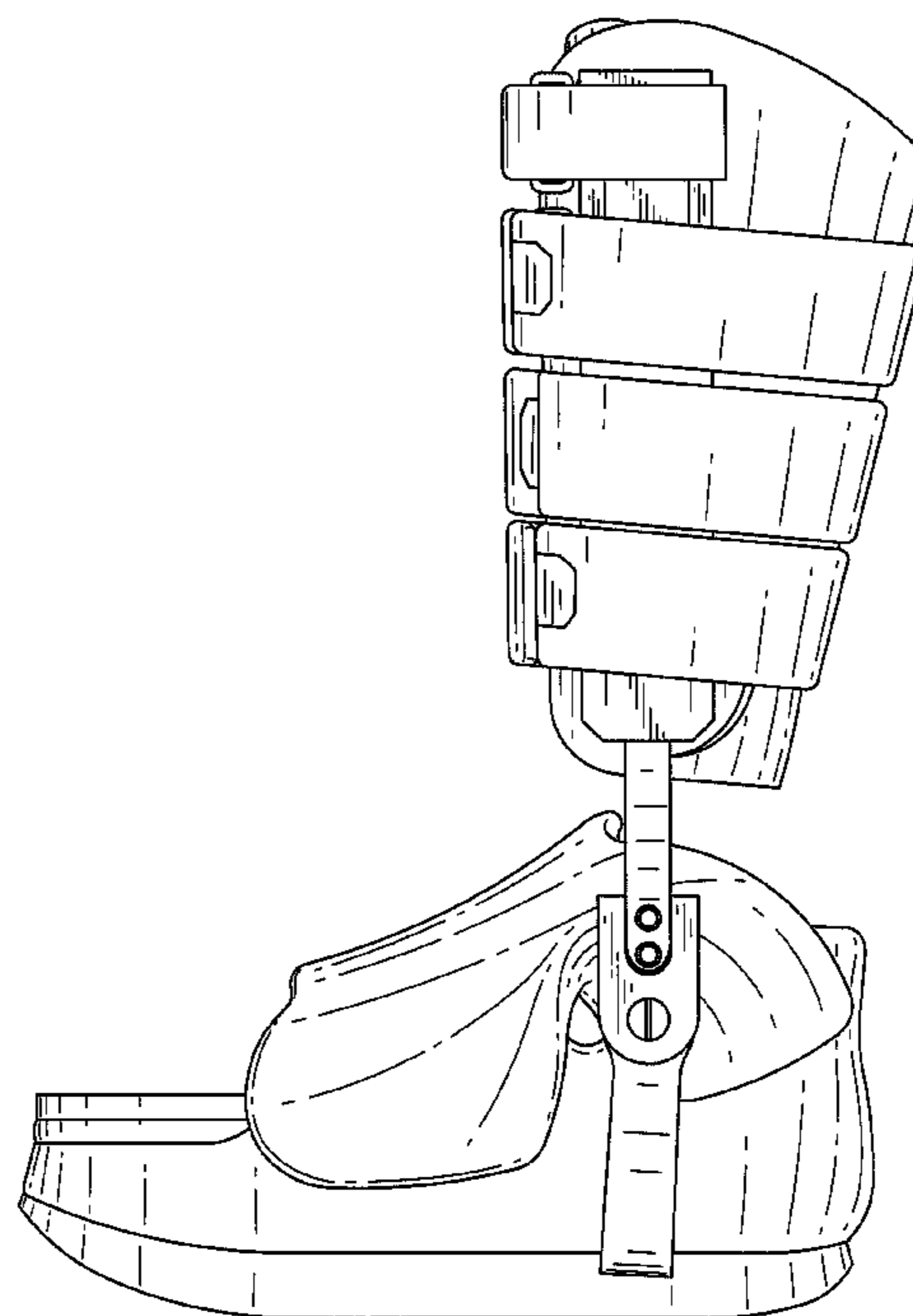
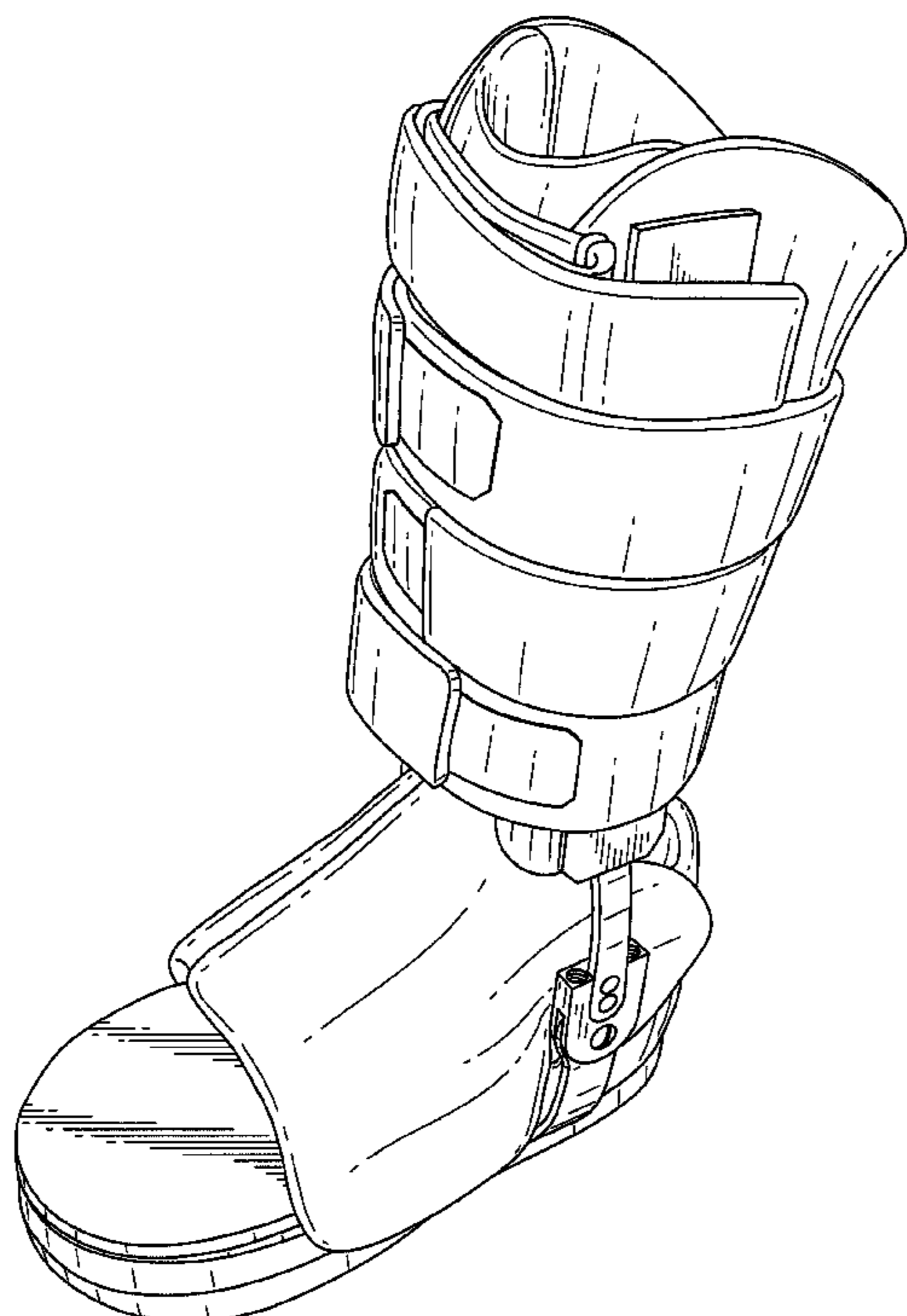


FIG. 1

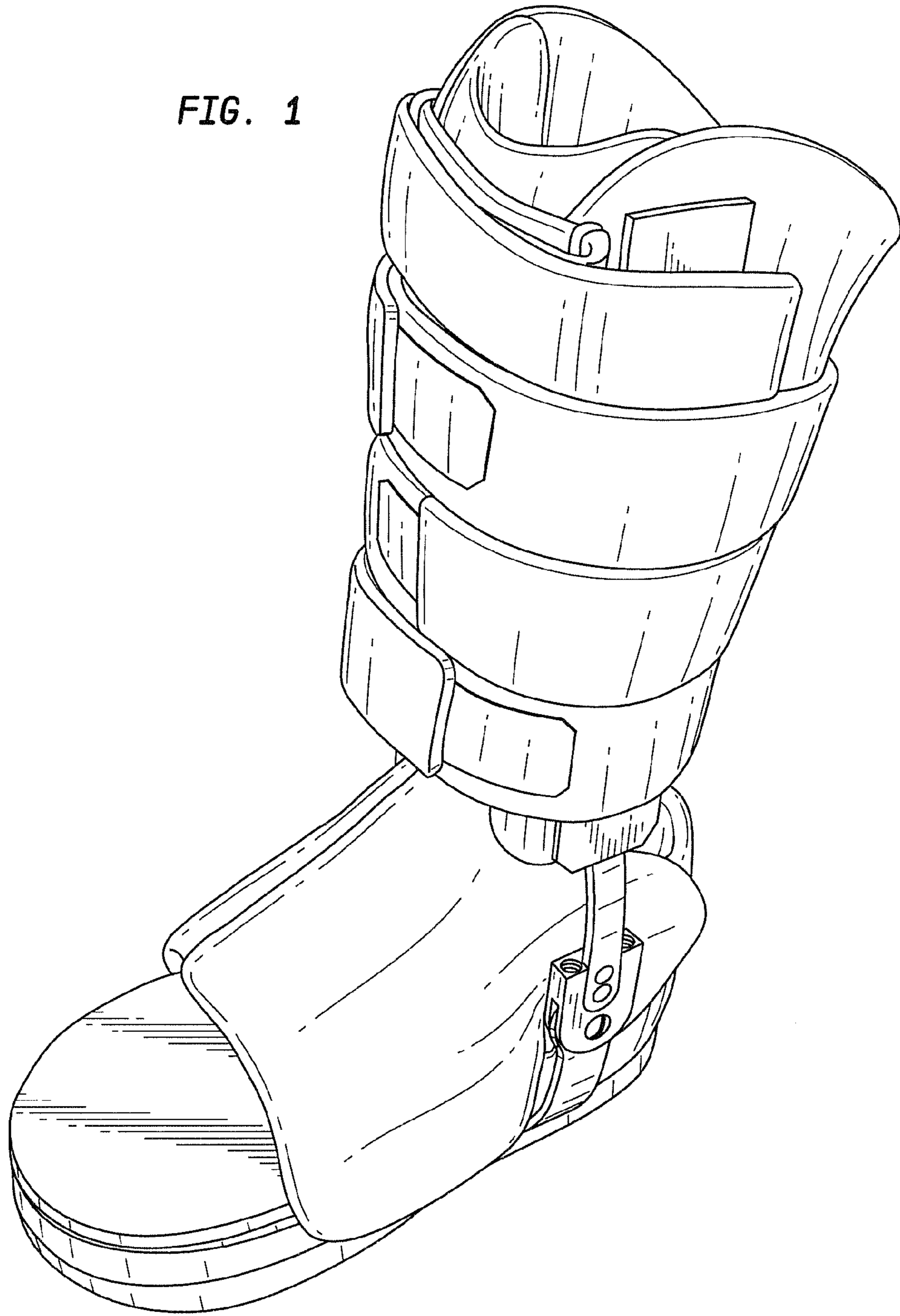
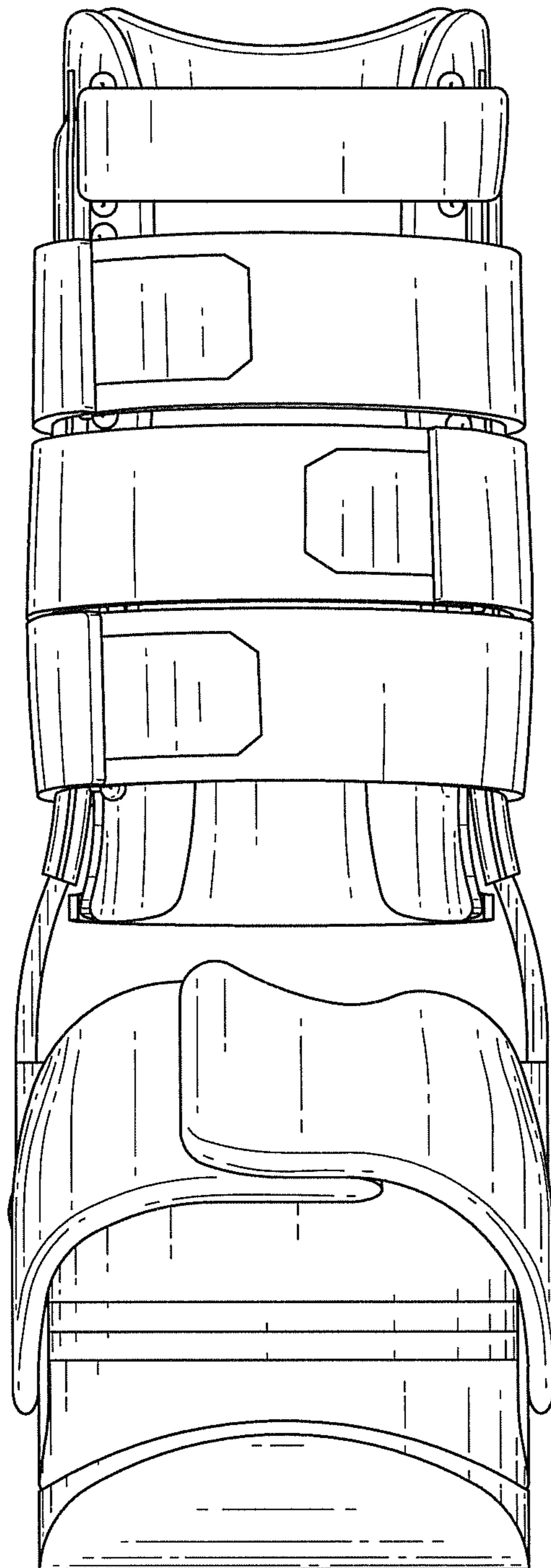


FIG. 2



*FIG. 3*

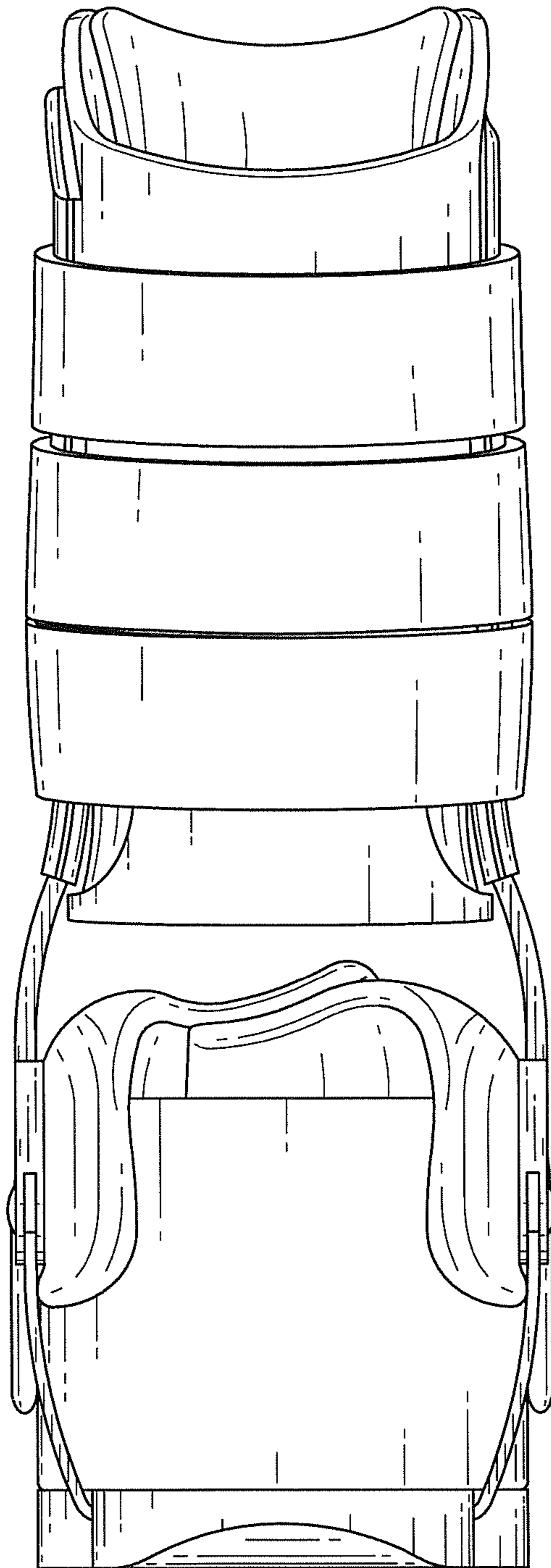


FIG. 4

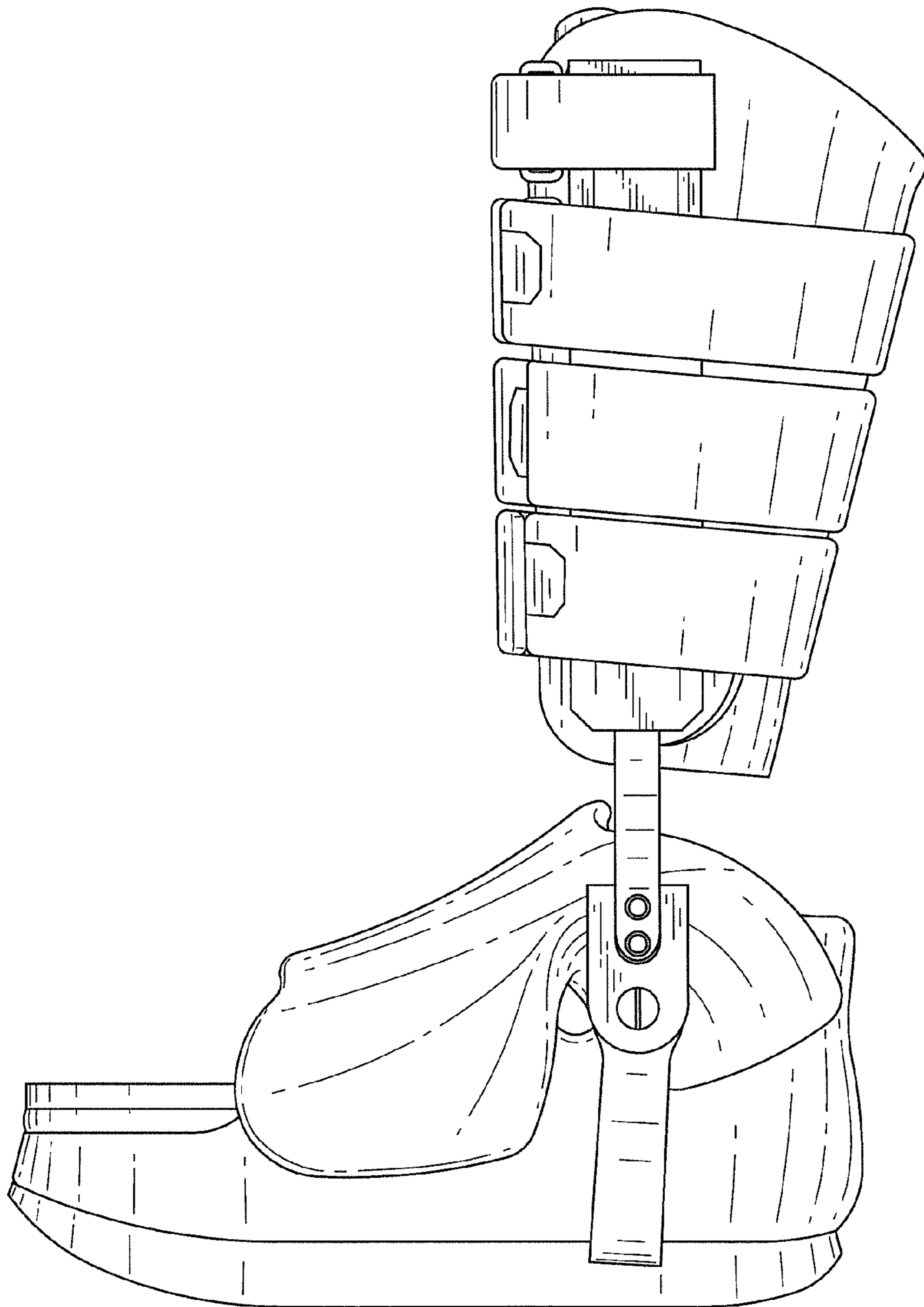


FIG. 5

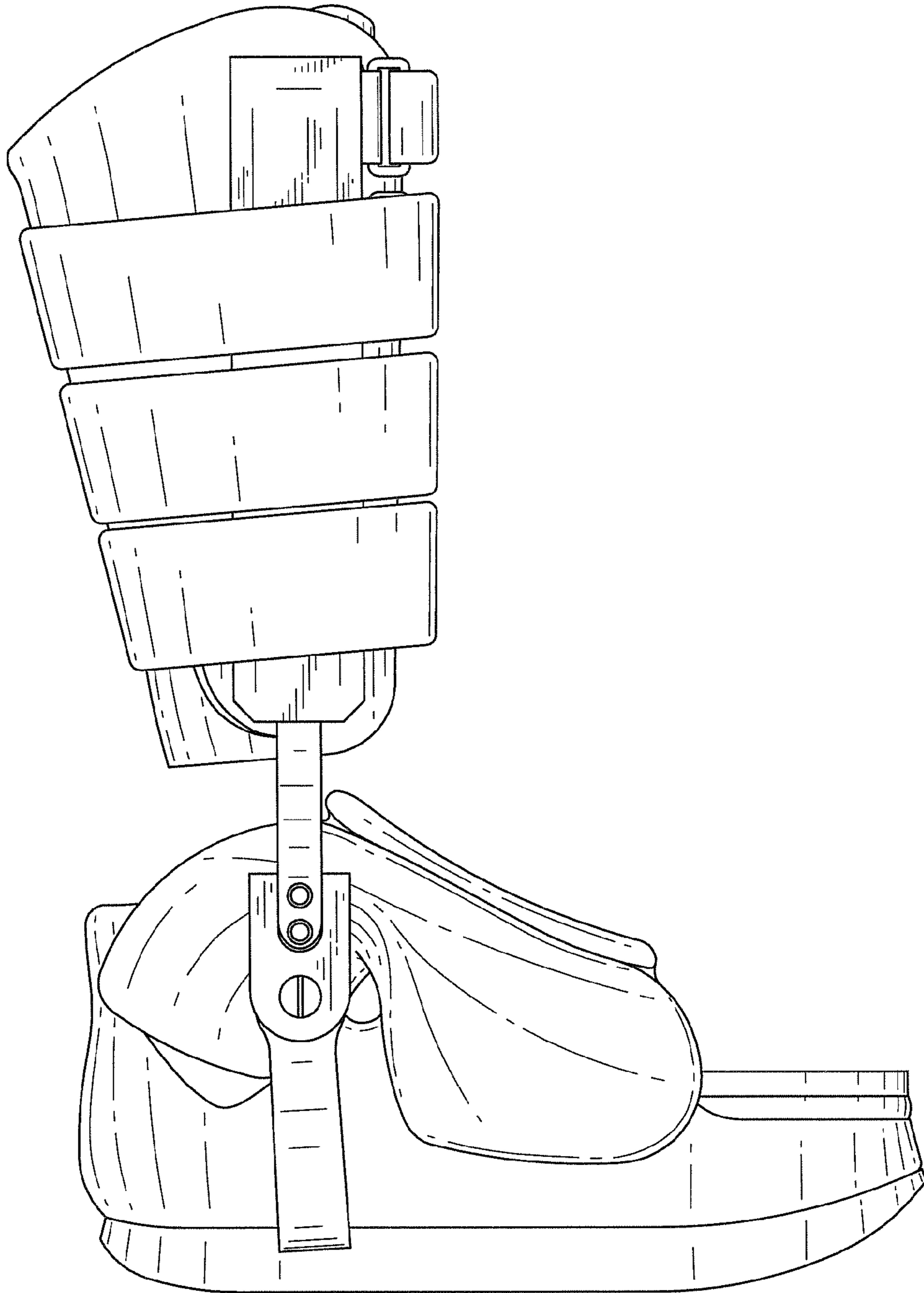


FIG. 6

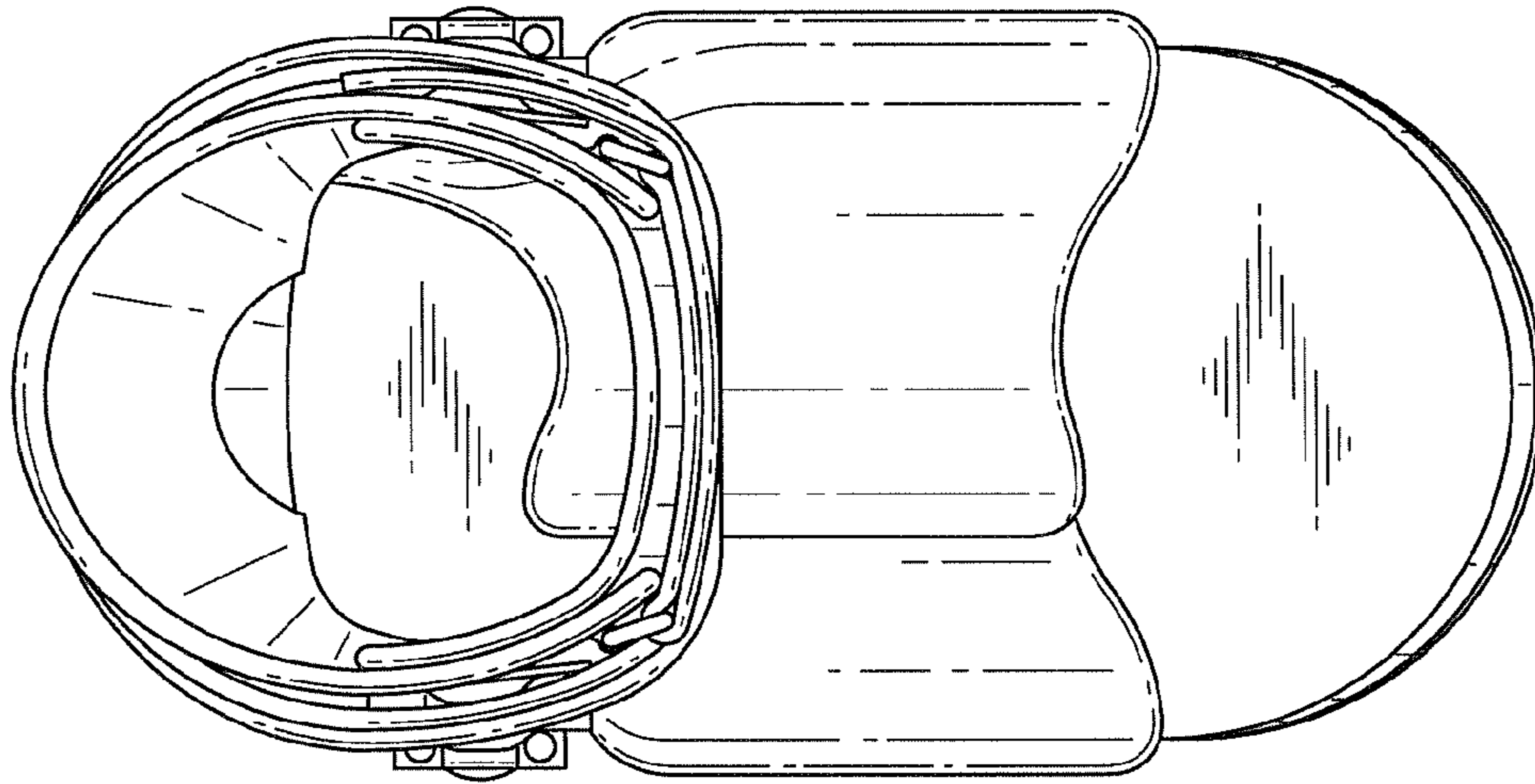


FIG. 7

