



US00D693470S

(12) **United States Design Patent**  
**Fagan**

(10) **Patent No.:** **US D693,470 S**

(45) **Date of Patent:** **\*\* Nov. 12, 2013**

(54) **NAIL FOR BONE FRACTURE FIXATION**

(76) Inventor: **Lance Fagan**, Bartow, FL (US)

(\*\*) Term: **14 Years**

(21) Appl. No.: **29/418,199**

(22) Filed: **Apr. 13, 2012**

(51) **LOC (9) Cl.** ..... **24-00**

(52) **U.S. Cl.**  
USPC ..... **D24/171**

(58) **Field of Classification Search**  
USPC ..... D24/146, 185, 135, 140, 147, 155, 139,  
D24/114, 212-213, 192, 215, 130, 133, 171,  
D24/141; 601/33, 134; 606/900, 86 A, 104,  
606/90, 88, 86 R, 324, 295, 288, 68, 272,  
606/267, 265, 266, 257, 251, 246, 57, 54,  
606/916, 105, 96, 80, 60, 53, 64, 62, 63,  
606/66; 128/845, 882, 893; 602/5, 6, 11,  
602/12, 30, 40, 39, 28, 29; D29/121.2;  
36/93, 94; 408/214

See application file for complete search history.

(56) **References Cited**

**U.S. PATENT DOCUMENTS**

3,986,504	A	10/1976	Avila	
5,645,589	A	7/1997	Li	
5,702,215	A	12/1997	Li	
5,976,139	A	11/1999	Bramlet	
6,077,264	A	6/2000	Chemello	
6,120,504	A *	9/2000	Brumback et al.	606/62
6,183,474	B1	2/2001	Bramlet et al.	
6,443,954	B1	9/2002	Bramlet et al.	
6,447,546	B1	9/2002	Bramlet et al.	
6,488,684	B2	12/2002	Bramlet et al.	
6,554,833	B2	4/2003	Levy et al.	
6,575,973	B1	6/2003	Shekalim	

6,648,889	B2	11/2003	Bramlet et al.	
6,695,844	B2	2/2004	Bramlet et al.	
D638,125	S *	5/2011	Velikov	D24/146
8,298,234	B2 *	10/2012	Ferrante et al.	606/64
8,382,760	B2 *	2/2013	Mantovani et al.	606/63
8,491,584	B1 *	7/2013	Fagan	606/64
2006/0229617	A1	10/2006	Meller et al.	
2008/0161805	A1	7/2008	Saravia et al.	
2008/0287949	A1 *	11/2008	Keith et al.	606/62
2012/0143192	A1 *	6/2012	Watanabe et al.	606/64
2012/0271309	A1 *	10/2012	Watanabe et al.	606/64
2013/0158552	A1 *	6/2013	Overes et al.	606/64

\* cited by examiner

*Primary Examiner* — Robert M Spear

*Assistant Examiner* — Rhea Shields

(74) *Attorney, Agent, or Firm* — Larson & Larson, P.A.;  
Frank Liebenow; Justin P. Miller

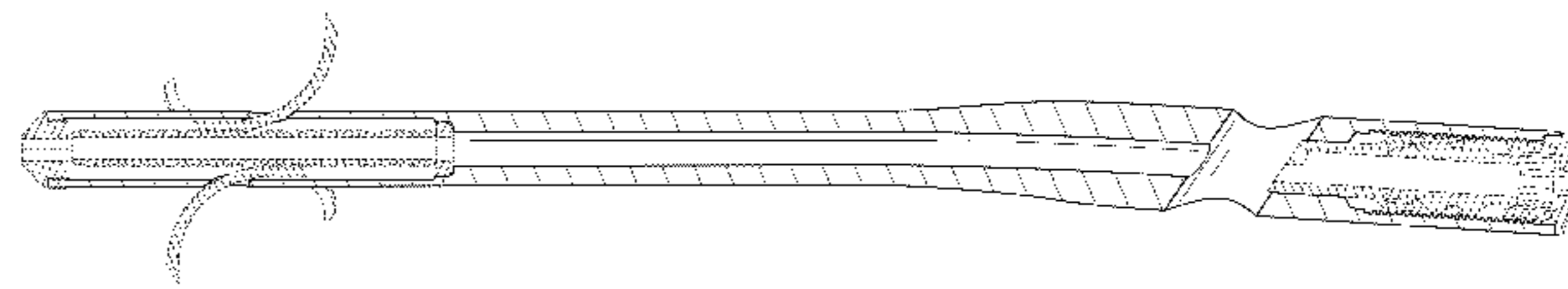
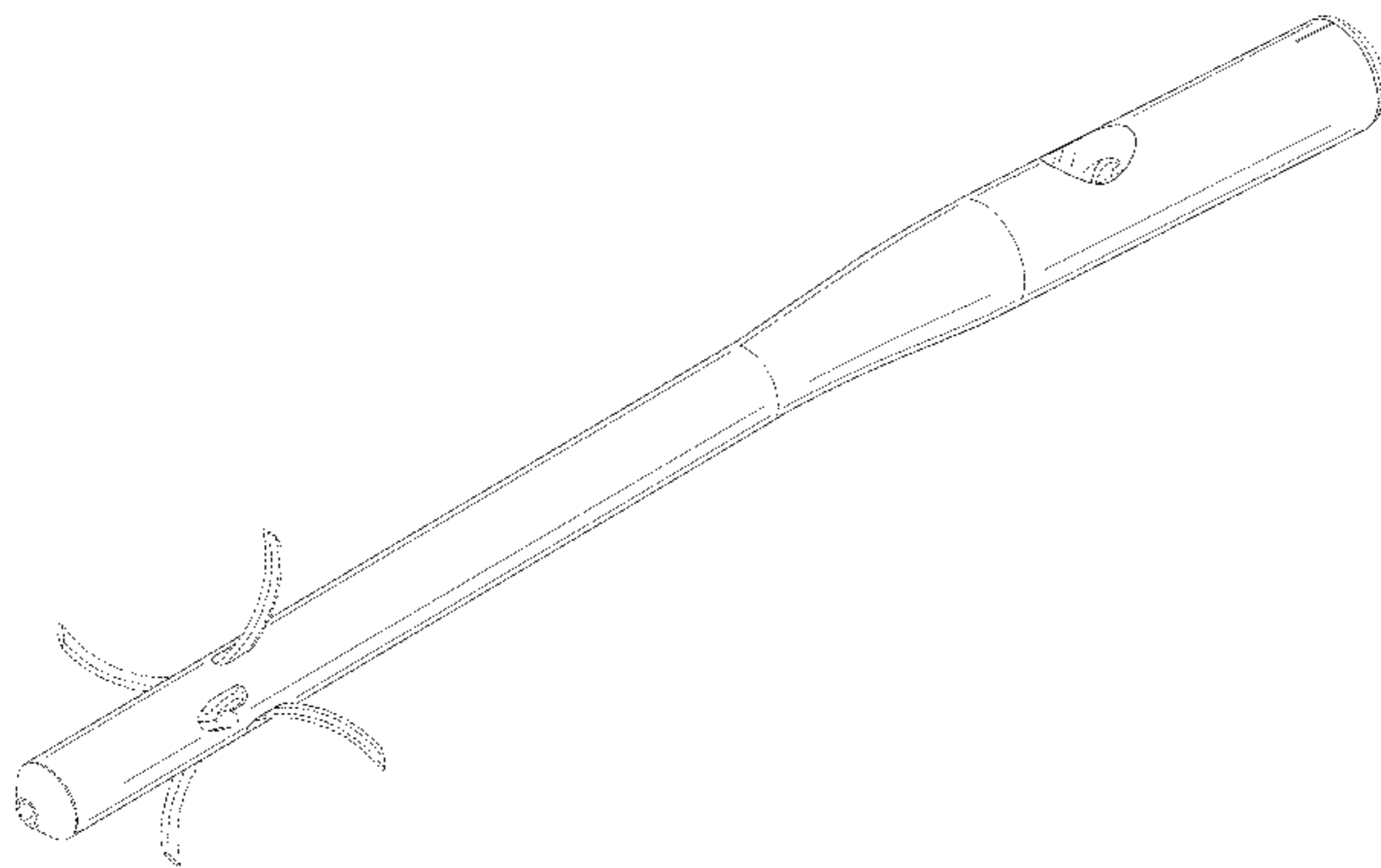
(57) **CLAIM**

I claim the ornamental design for a nail for bone fracture fixation, as shown and described.

**DESCRIPTION**

FIG. 1 is a perspective view of the nail for bone fracture fixation showing my new design;  
FIG. 2 is a left side view thereof;  
FIG. 3 is a right side view thereof;  
FIG. 4 is a front side view thereof;  
FIG. 5 is a back plan view thereof;  
FIG. 6 is a bottom plan view thereof;  
FIG. 7 is a top plan view thereof;  
FIG. 8 is a cross-sectional view thereof; and,  
FIG. 9 is an exploded view thereof.  
The broken lines in the drawings illustrate unclaimed environment only and form no part of the claimed design.

**1 Claim, 6 Drawing Sheets**



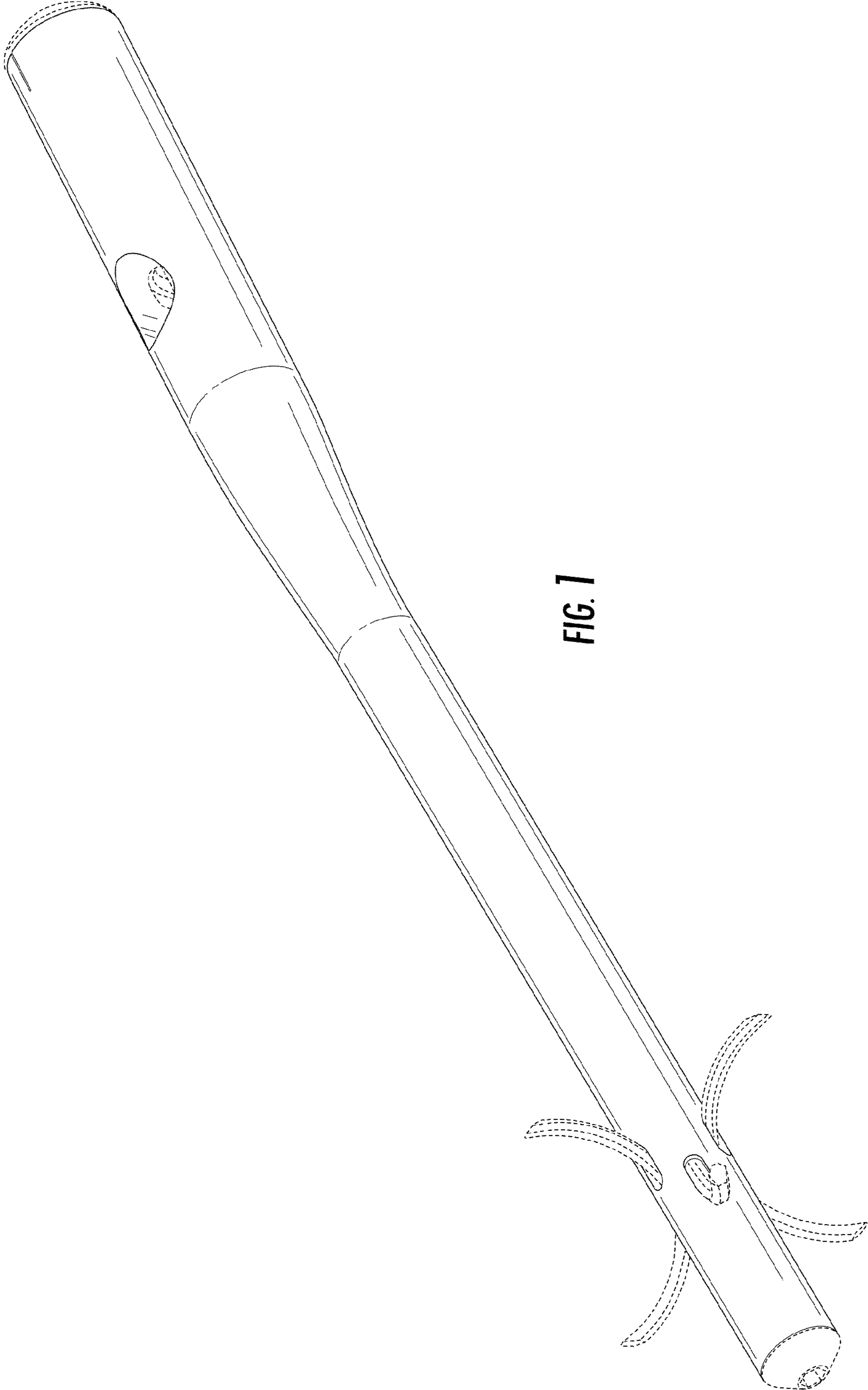


FIG. 1

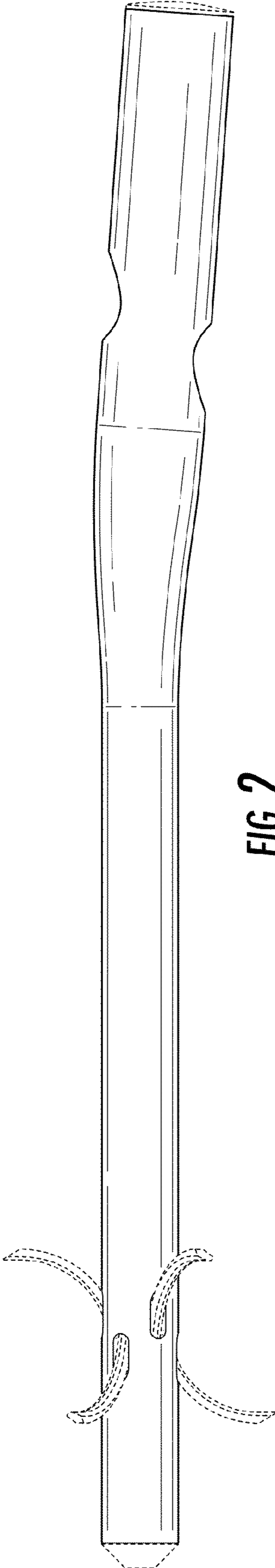


FIG. 2

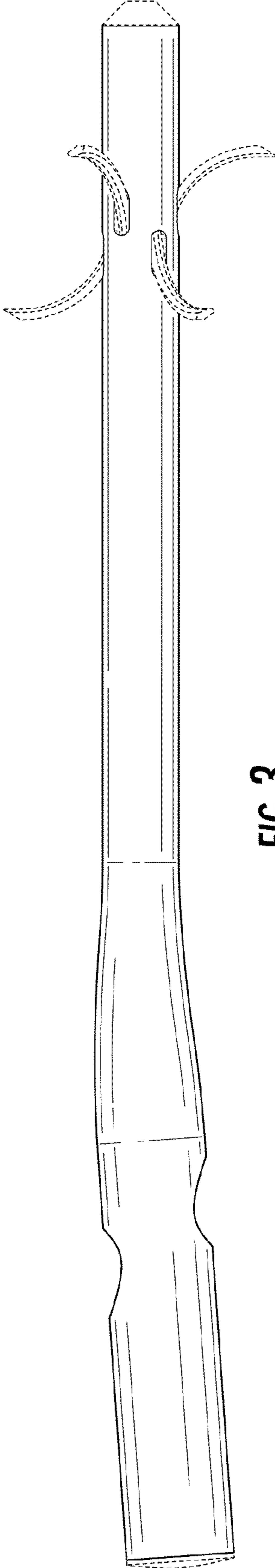


FIG. 3

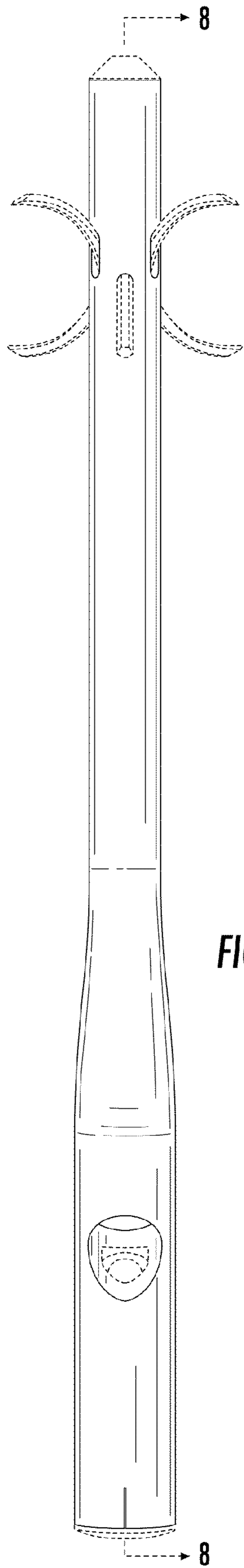


FIG. 4

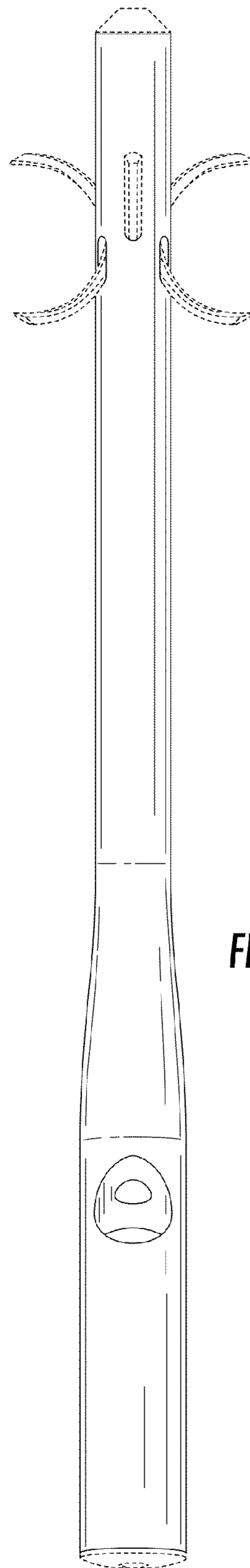
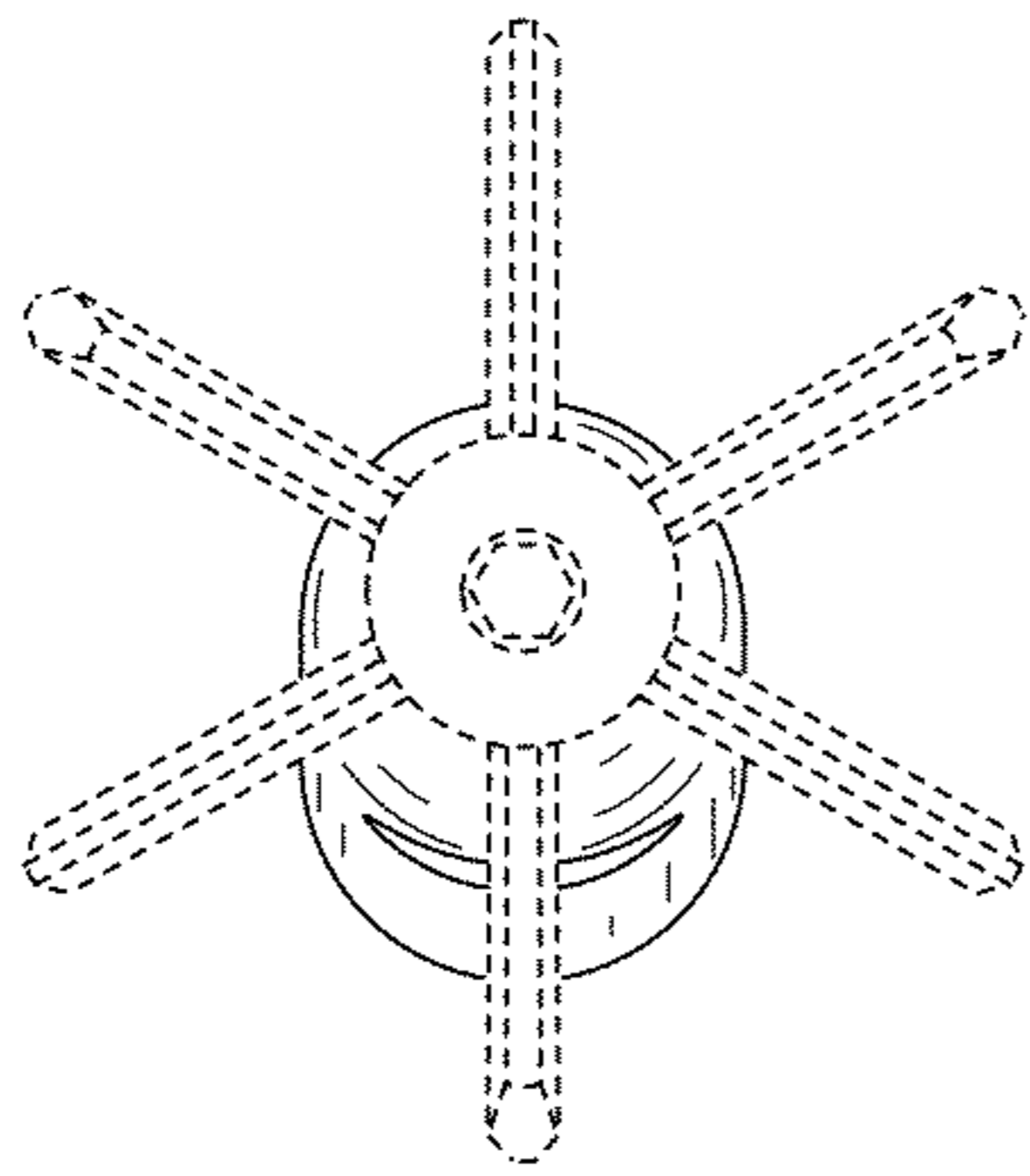
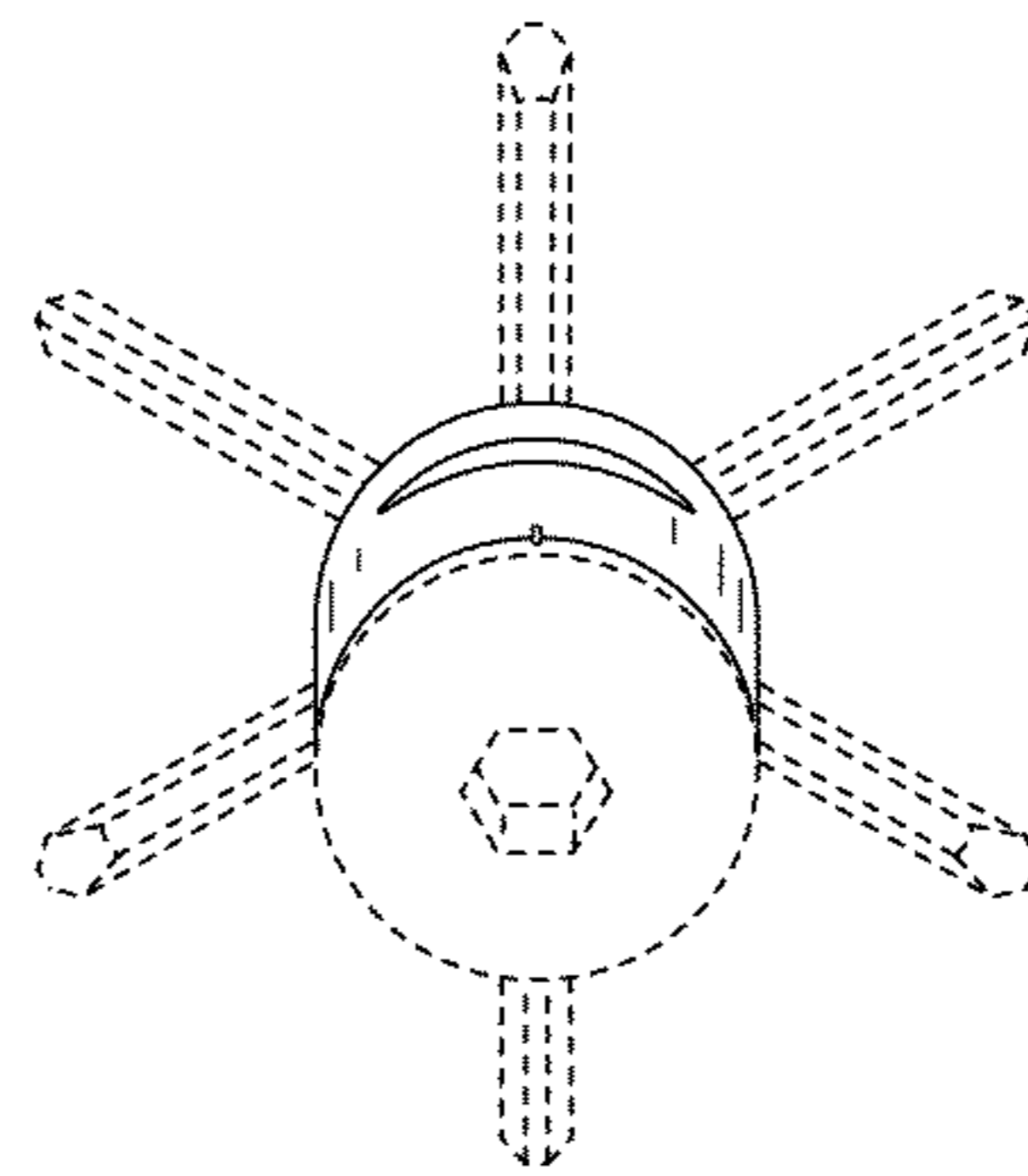


FIG. 5



**FIG. 6**



**FIG. 7**

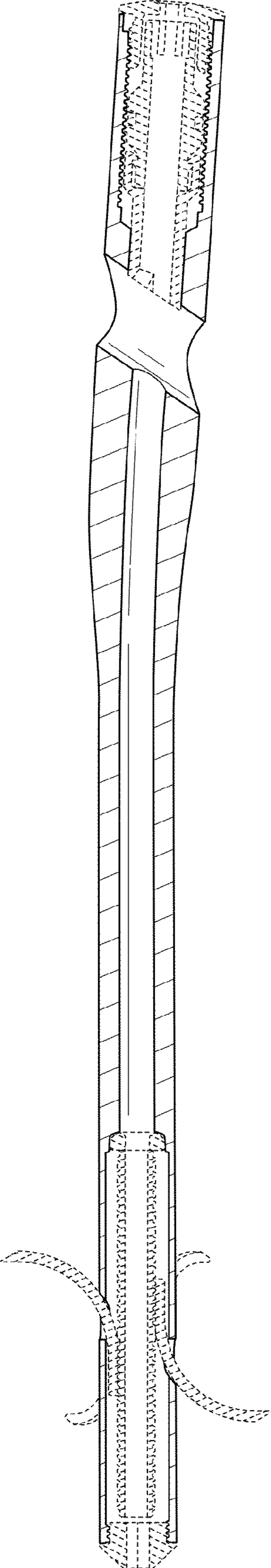


FIG. 8



FIG. 9