



US00D693467S

(12) **United States Design Patent**
Doucette et al.

(10) **Patent No.:** **US D693,467 S**
(45) **Date of Patent:** **** Nov. 12, 2013**

(54) **FILTRATION AND SEPARATION ASSEMBLY**

(75) Inventors: **Alan A Doucette**, Halifax (CA); **Mark James Wall**, Halifax (CA)

(73) Assignee: **Dalhousie University**, Halifax (CA)

(**) Term: **14 Years**

(21) Appl. No.: **29/420,407**

(22) Filed: **May 9, 2012**

(51) **LOC (9) Cl.** **29-02**

(52) **U.S. Cl.**
USPC **D24/162**

(58) **Field of Classification Search**
USPC D24/137, 138, 140, 150, 157, 225, 160,
D24/162, 166, 172, 174, 177, 183, 185, 186,
D24/199, 216, 227, 230, 231, 232, 234,
D24/454; D21/306, 411, 444; 351/200-203,
351/218, 221, 224, 243, 246, 239; D23/209
See application file for complete search history.

(56) **References Cited**

U.S. PATENT DOCUMENTS

D284,034 S *	5/1986	Grime	D24/162
D285,606 S *	9/1986	Christopherson	D24/162
D489,750 S *	5/2004	Chudnow	D17/13
D583,058 S *	12/2008	Short	D24/162
D620,075 S *	7/2010	Yamaguchi et al.	D23/209

OTHER PUBLICATIONS

<http://www.ecvv.com/product/502557.html>.*

* cited by examiner

Primary Examiner — Robert M Spear

Assistant Examiner — Rhea Shields

(74) *Attorney, Agent, or Firm* — Christopher J. Barden

(57) **CLAIM**

The ornamental design for a filtration and separation assembly, as shown.

DESCRIPTION

FIG. 1 is a perspective view of the filtration and separation assembly;

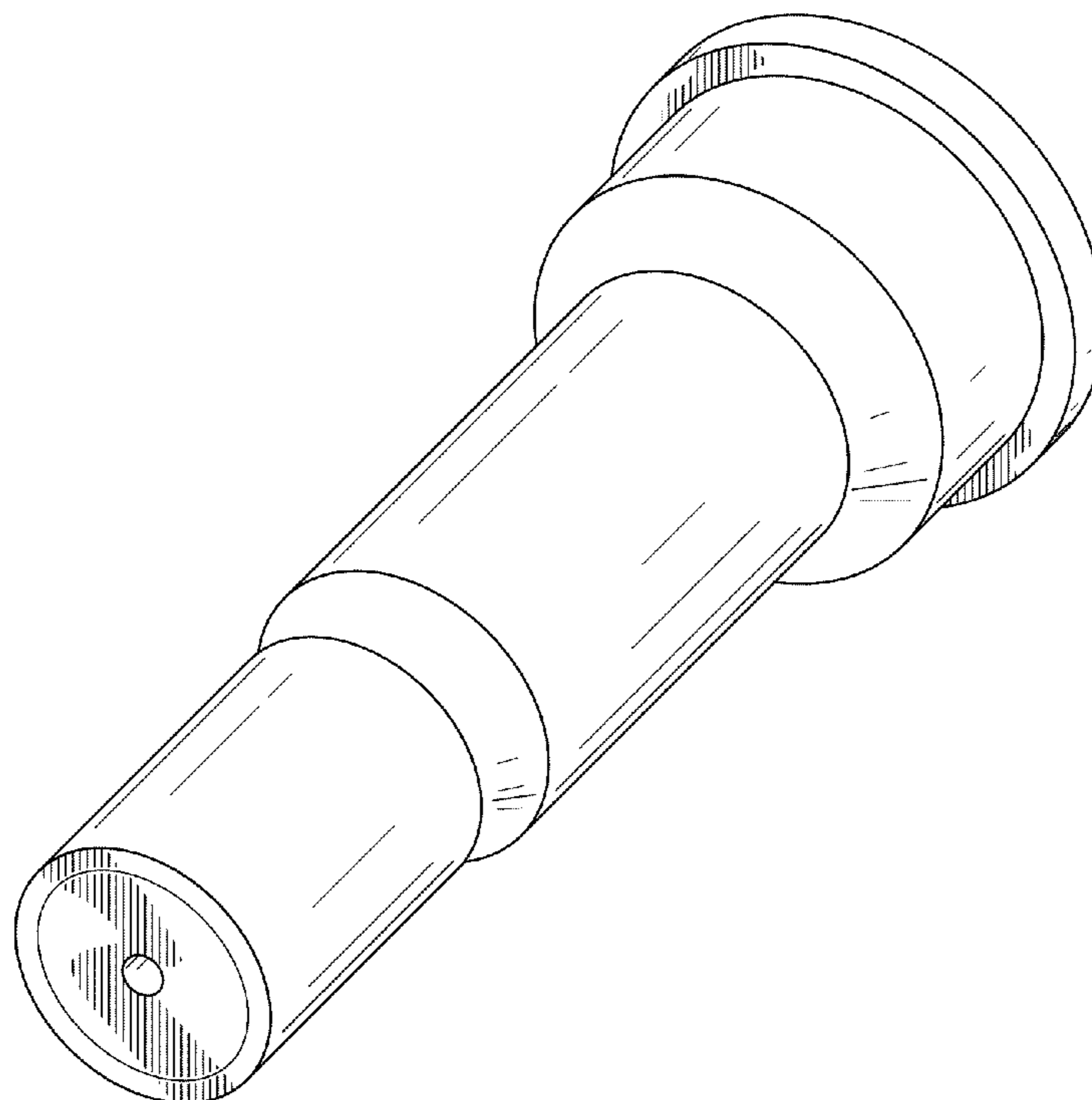
FIGS. 2 through 5 are side elevational views of the filtration and separation assembly as it is rotated along an axis that runs from top to bottom;

FIG. 6 is a top plan view of the filtration and separation assembly; and,

FIG. 7 is a bottom plan view of the filtration and separation assembly.

The broken lines in FIG. 6 illustrate unclaimed environment only and form no part of the claimed design.

1 Claim, 6 Drawing Sheets



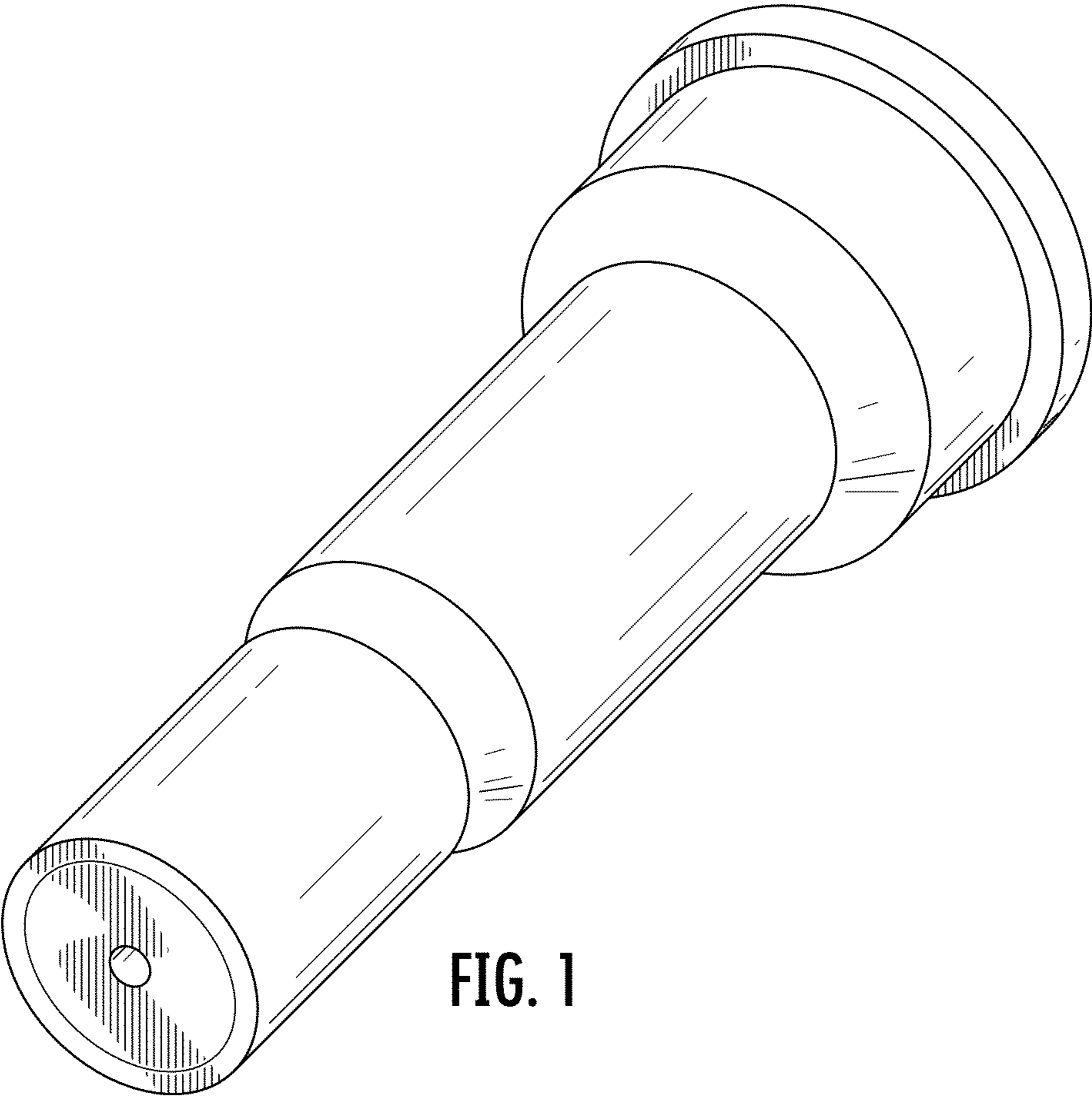


FIG. 1

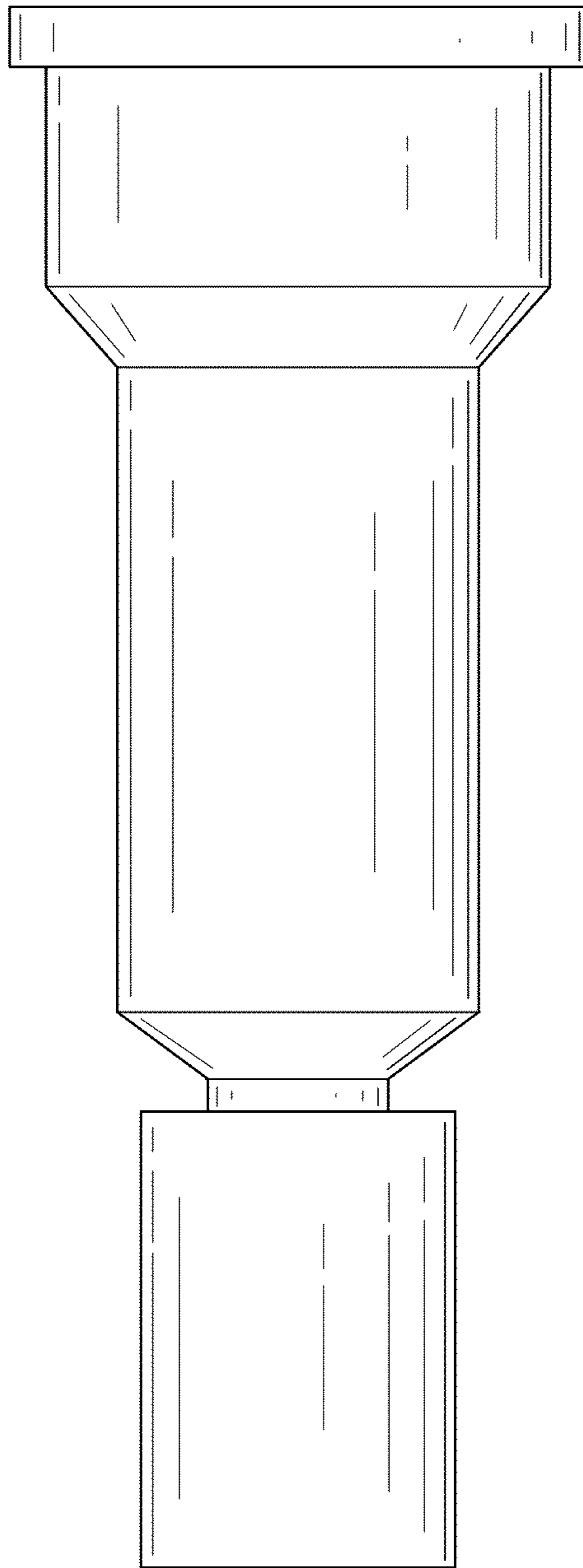


FIG. 2

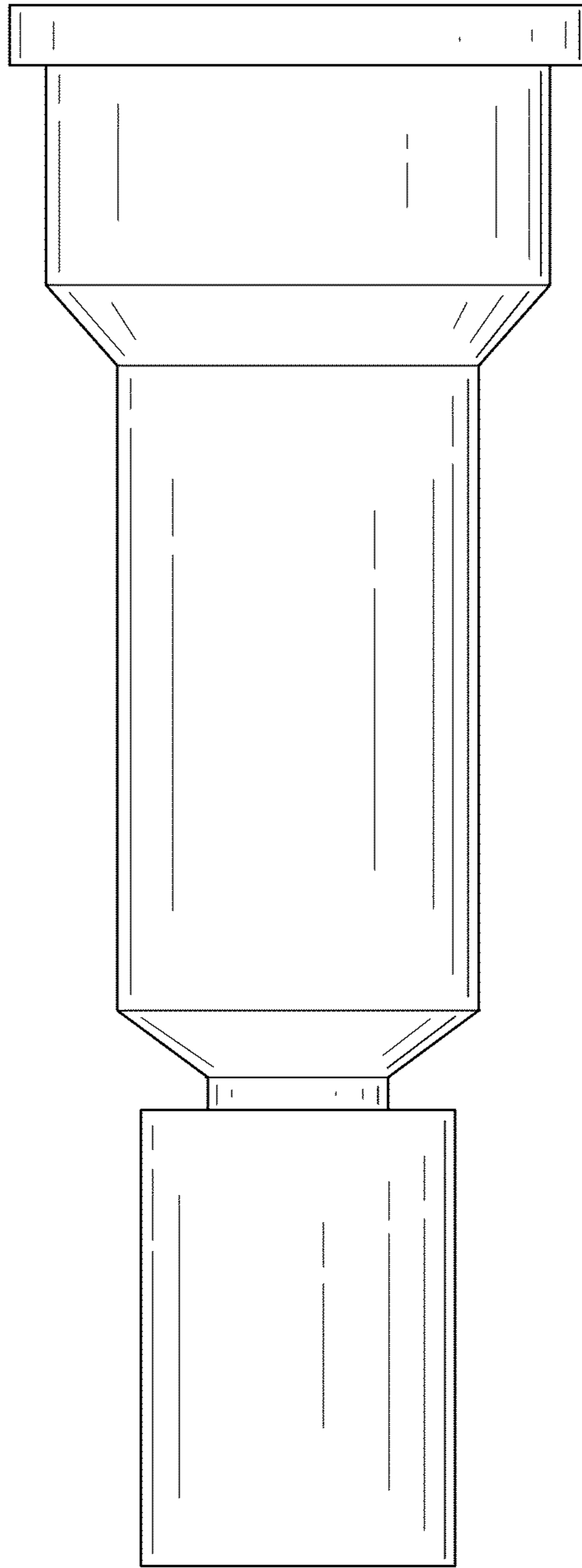


FIG. 3

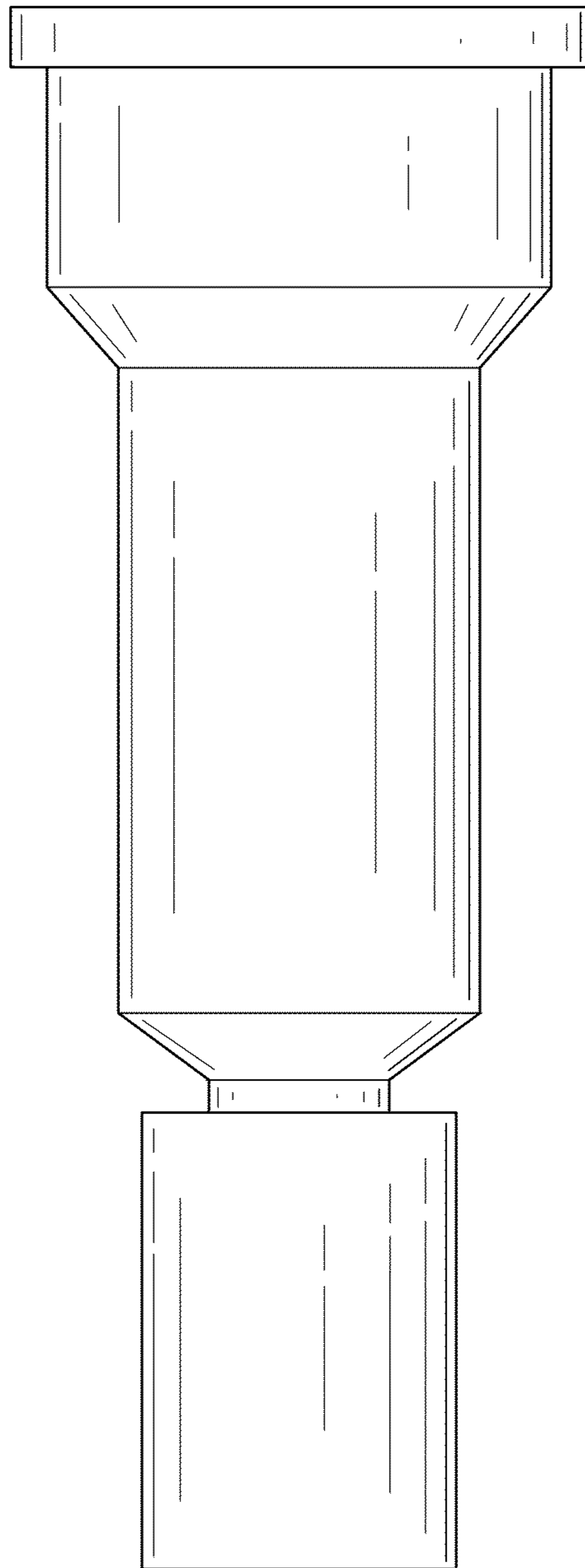


FIG. 4

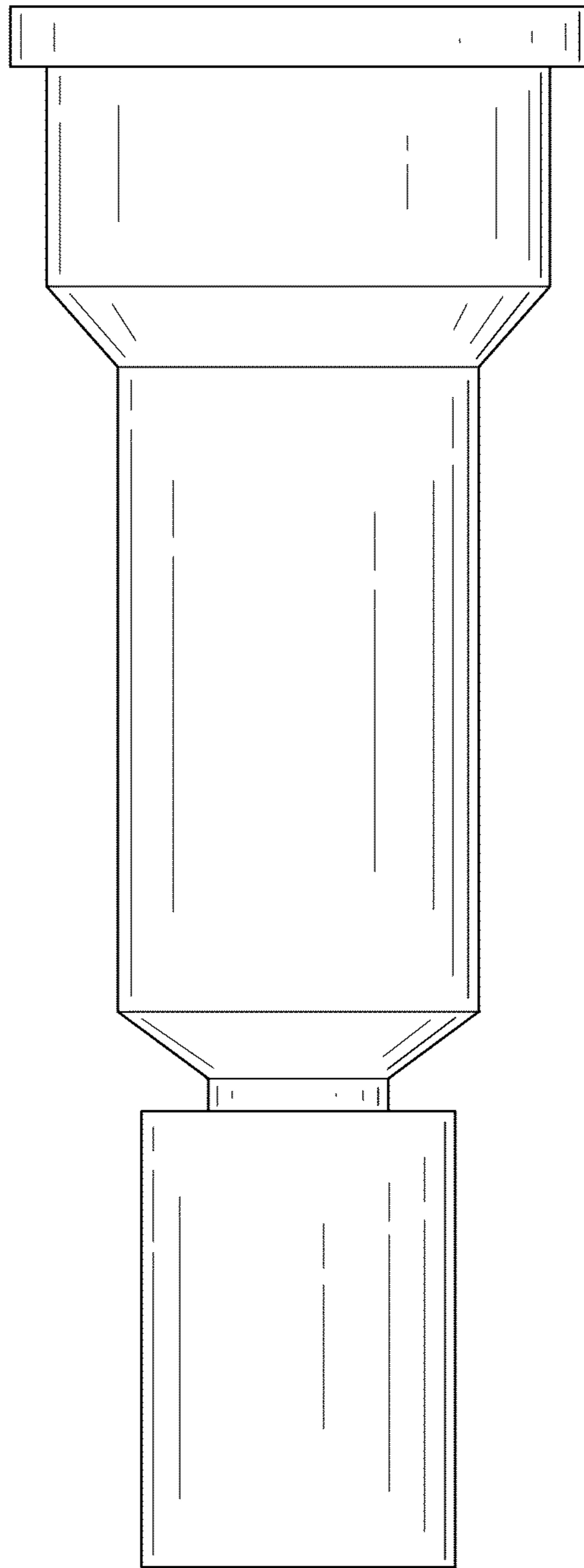


FIG. 5

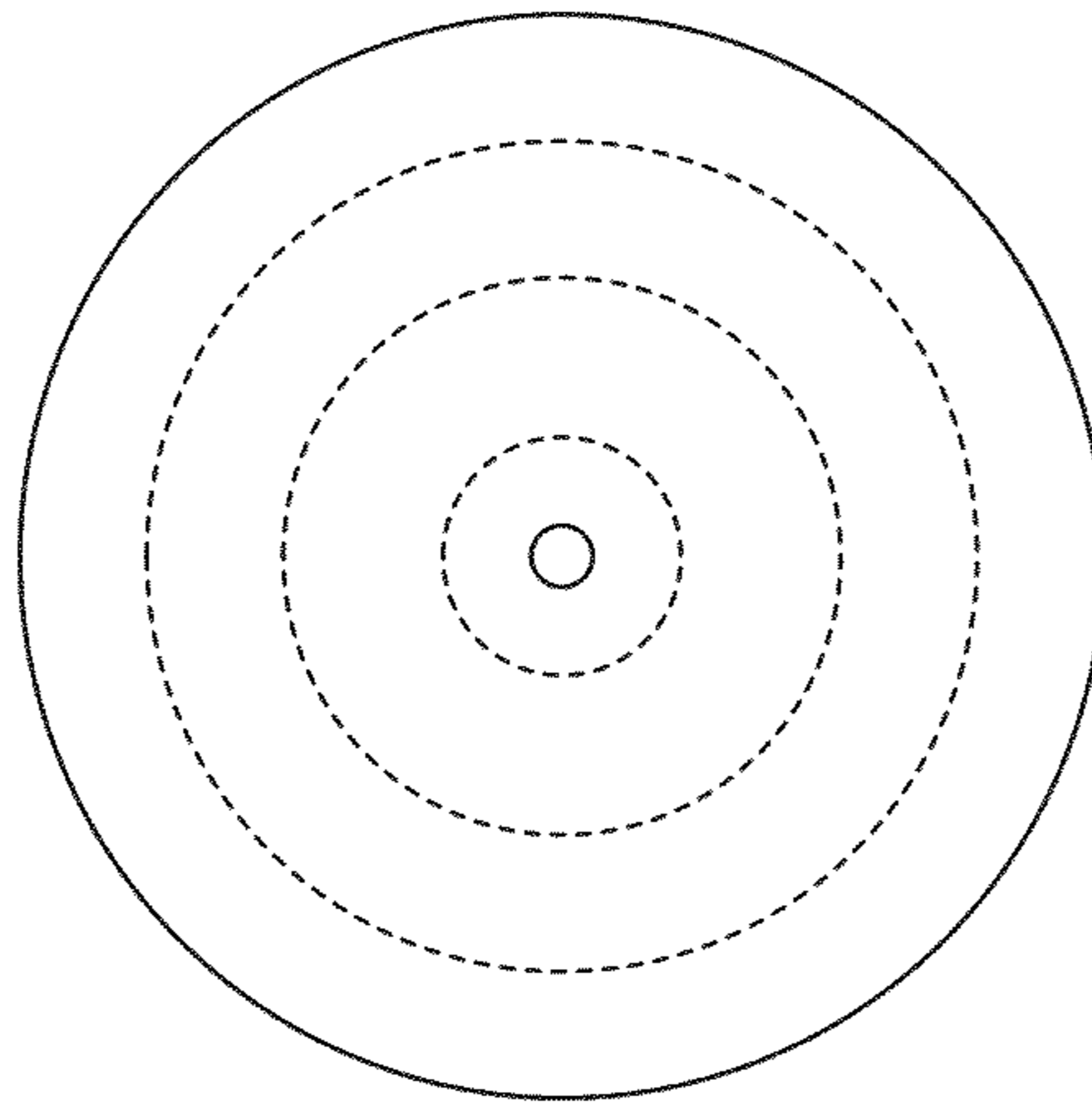


FIG. 6

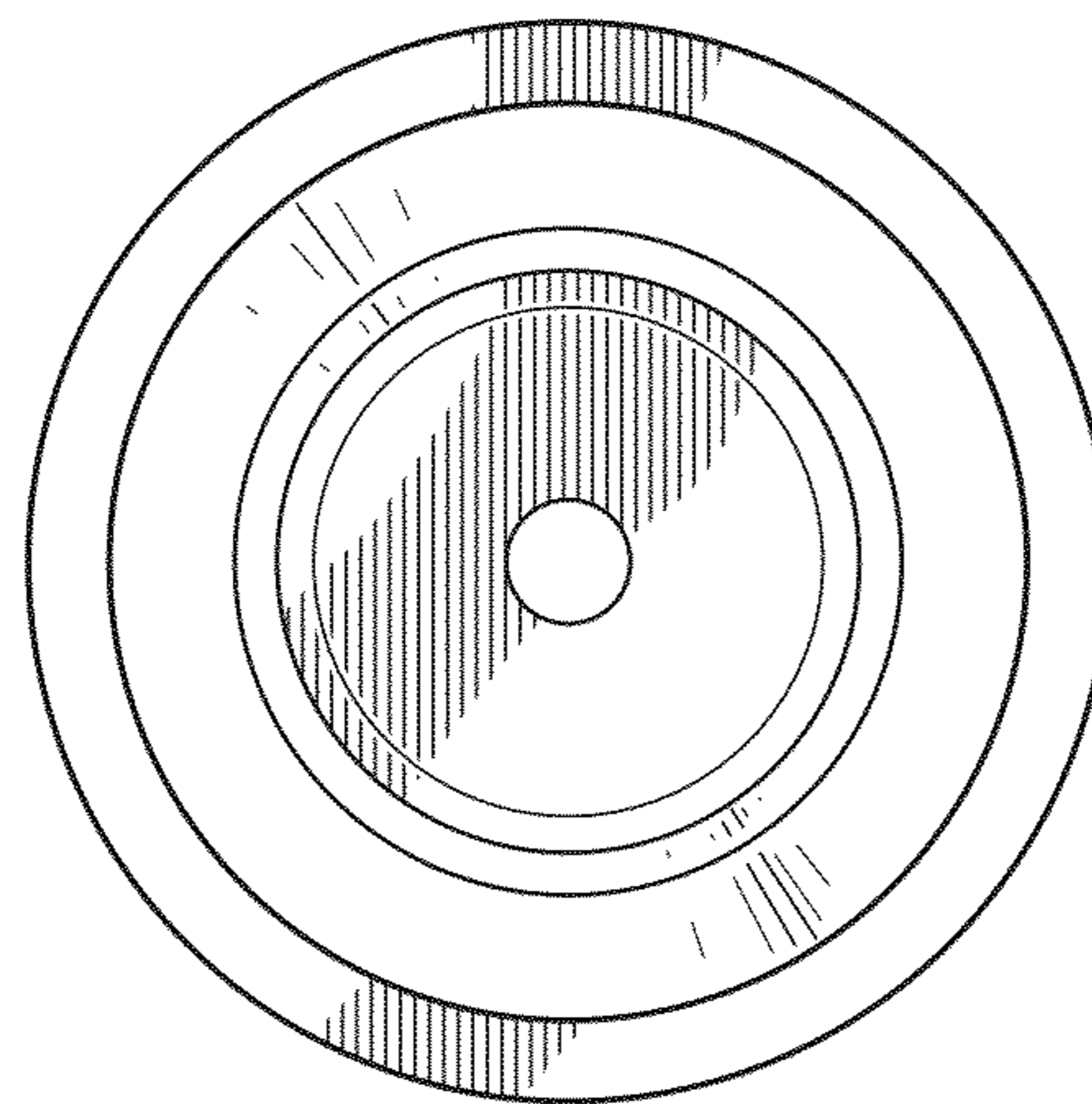


FIG. 7