



US00D693463S

(12) **United States Design Patent**  
**Burger et al.**

(10) **Patent No.:** **US D693,463 S**

(45) **Date of Patent:** **\*\* Nov. 12, 2013**

(54) **TUBING CASSETTE**

(56) **References Cited**

(71) Applicant: **Karl Storz GmbH & Co. KG**,  
Tuttlingen (DE)

(72) Inventors: **Matthias Burger**, Schaffhausen (CH);  
**Bernd Emmerich**, Emmingen (DE);  
**Anika Guempel**,  
Bodman-Ludwigshafen (DE); **Dirk**  
**Puschke**, Tuttlingen (DE); **Manfred**  
**Schmidt**, Allensbach (DE); **Otmar**  
**Stillhard**, Steckborn (CH)

U.S. PATENT DOCUMENTS

D264,134	S	*	4/1982	Xanthopoulos	.....	D24/111
4,713,051	A	*	12/1987	Steppe et al.	.....	604/30
6,468,059	B2	*	10/2002	Haser et al.	.....	417/477.1
D479,320	S	*	9/2003	O'Mahony et al.	.....	D24/108
7,238,010	B2	*	7/2007	Hershberger et al.	.....	417/477.2
7,513,757	B2	*	4/2009	Gibson et al.	.....	417/477.2
D600,792	S	*	9/2009	Eubanks et al.	.....	D24/111
8,047,819	B2	*	11/2011	Lawrence et al.	.....	417/477.1
2006/0216172	A1	*	9/2006	Fitzgerald	.....	417/477.2
2007/0217933	A1	*	9/2007	Haser et al.	.....	417/477.2

\* cited by examiner

(73) Assignee: **KARL STORZ GmbH & Co. KG**,  
Tuttlingen (DE)

*Primary Examiner* — Ian Simmons

*Assistant Examiner* — Richelle Shelton

(\*\*) Term: **14 Years**

(74) *Attorney, Agent, or Firm* — Muncy, Geissler, Olds &  
Lowe, PLLC

(21) Appl. No.: **29/445,517**

(57) **CLAIM**

The ornamental design for a tubing cassette, as shown and described.

(22) Filed: **Feb. 13, 2013**

**DESCRIPTION**

(30) **Foreign Application Priority Data**

Aug. 13, 2012 (EM) ..... 002087262-0002

(51) **LOC (9) Cl.** ..... **24-02**

(52) **U.S. Cl.**  
USPC ..... **D24/111**

(58) **Field of Classification Search**  
USPC ..... D24/107, 108, 111, 128, 172;  
417/477.2, 474; 604/30, 34, 153,  
604/319-321, 540

FIG. 1 is a left side perspective view of a tubing cassette according to the present invention.

FIG. 2 is a right side perspective view of the tubing cassette of FIG. 1.

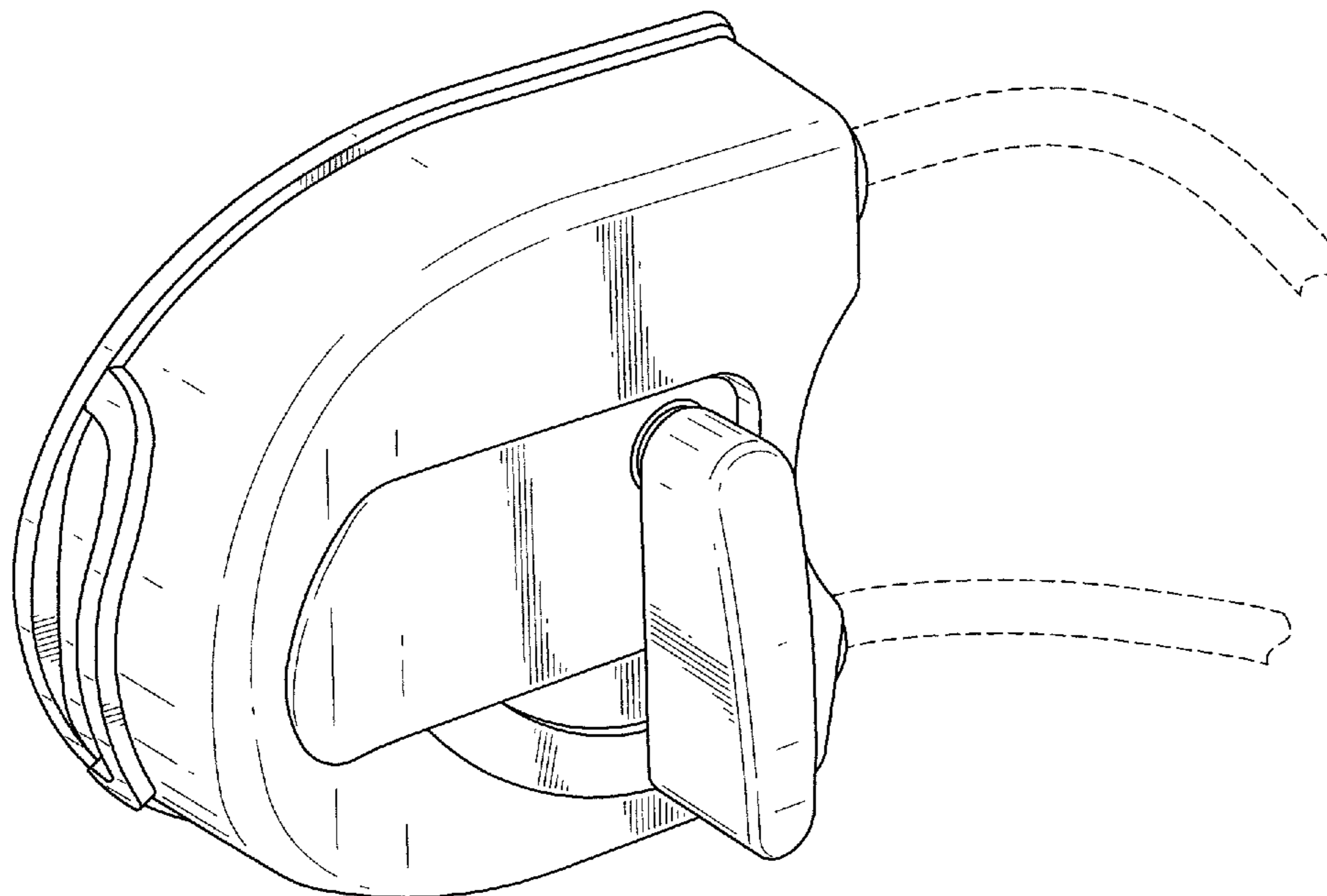
FIG. 3 is a front perspective view of the tubing cassette of FIG. 1.

FIG. 4 is a top plan view of the tubing cassette of FIG. 1; and, FIG. 5 is a bottom plan view of the tubing cassette of FIG. 1.

The dashed lines illustrate environment that does not form a part of the present invention, and no claim is made to the material illustrated with dashed lines.

See application file for complete search history.

**1 Claim, 5 Drawing Sheets**



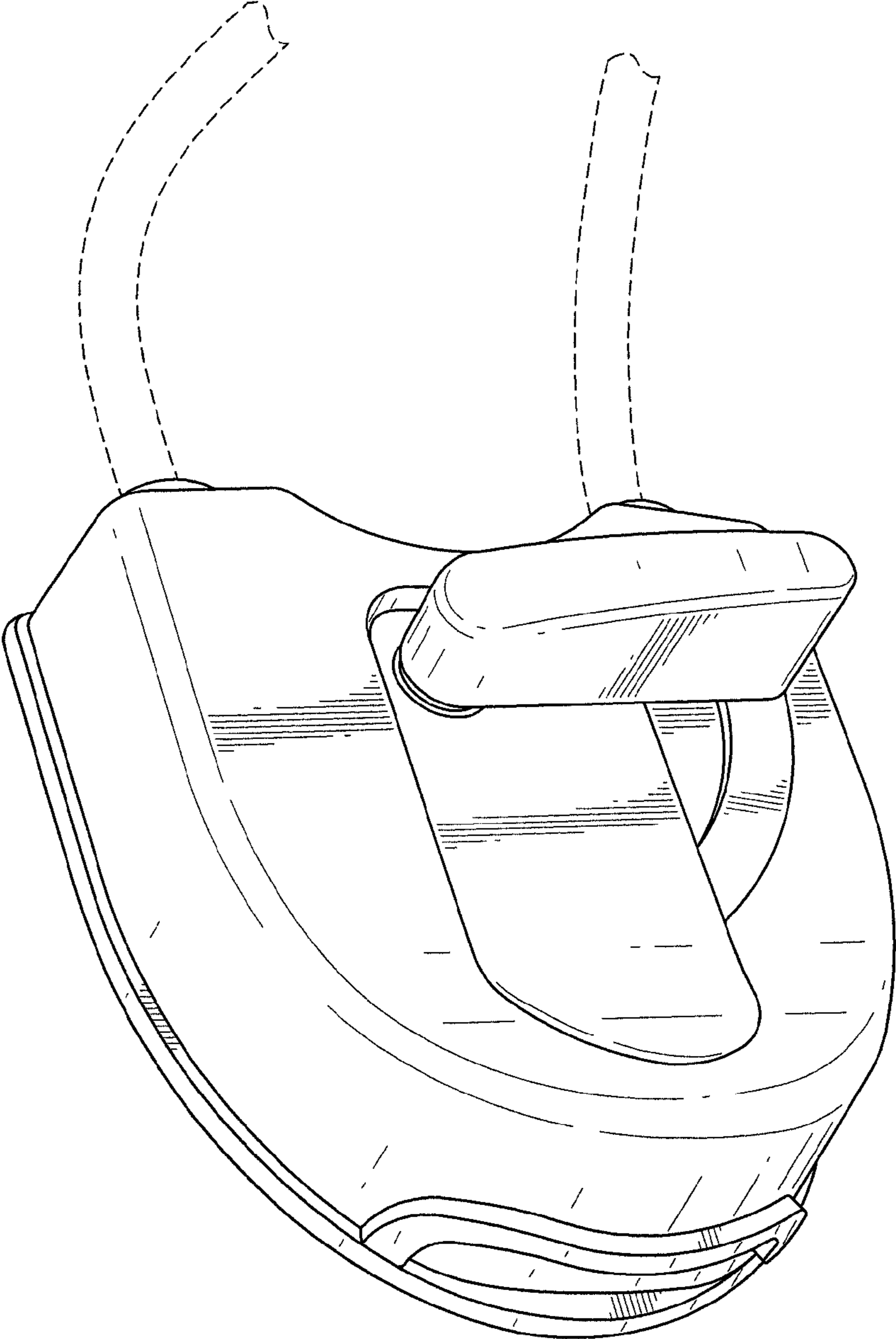


FIG.1

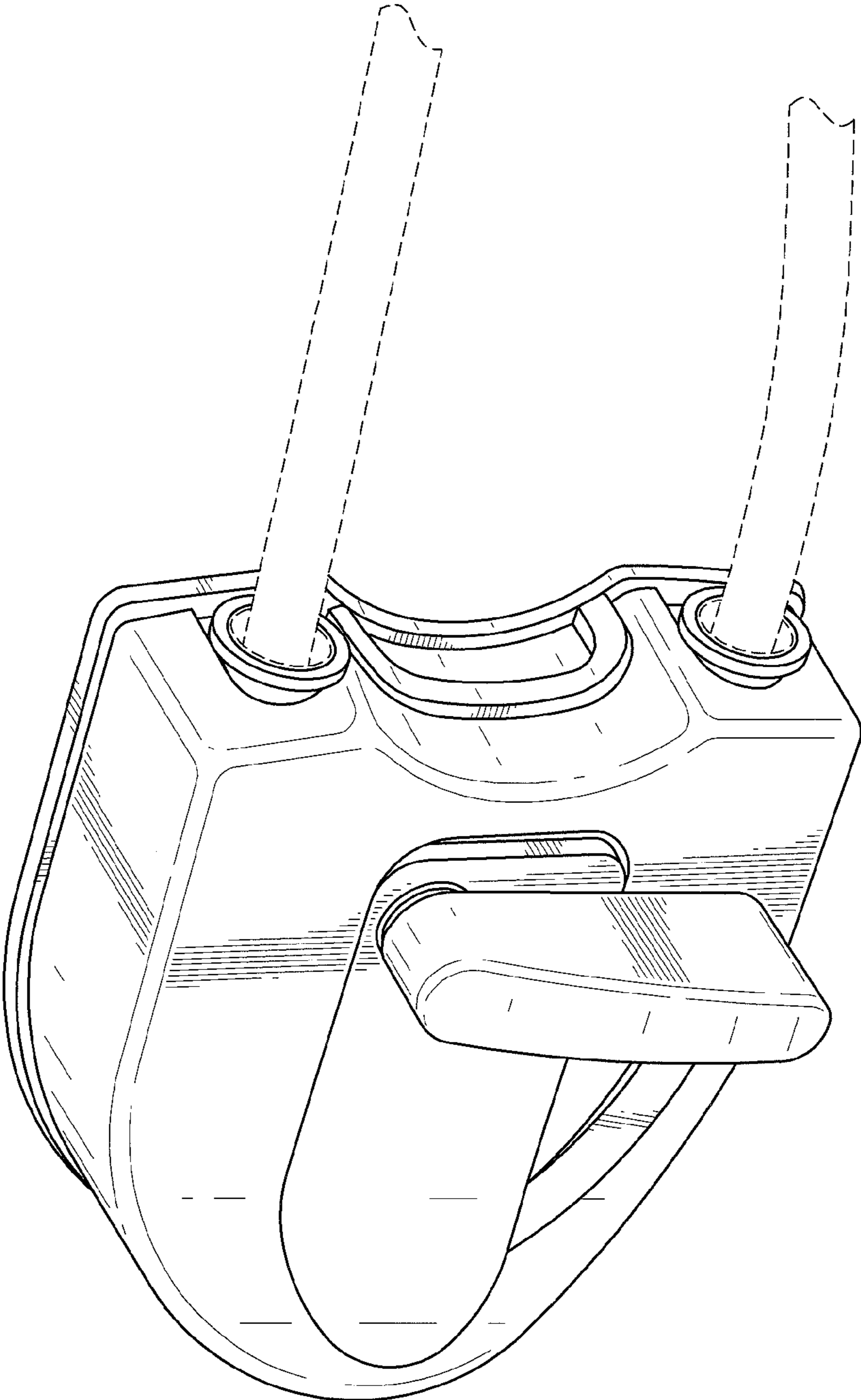


FIG.2

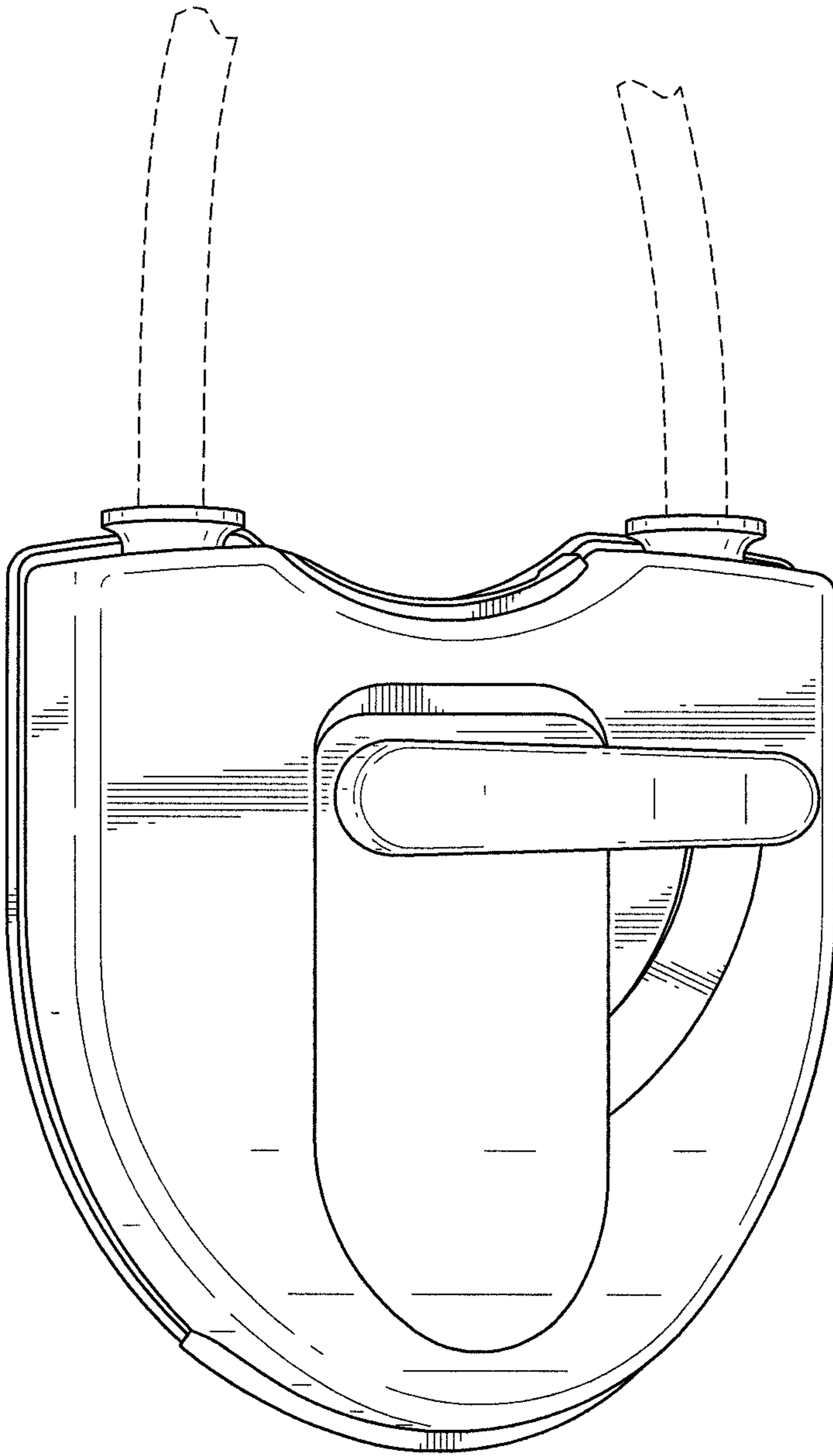


FIG.3

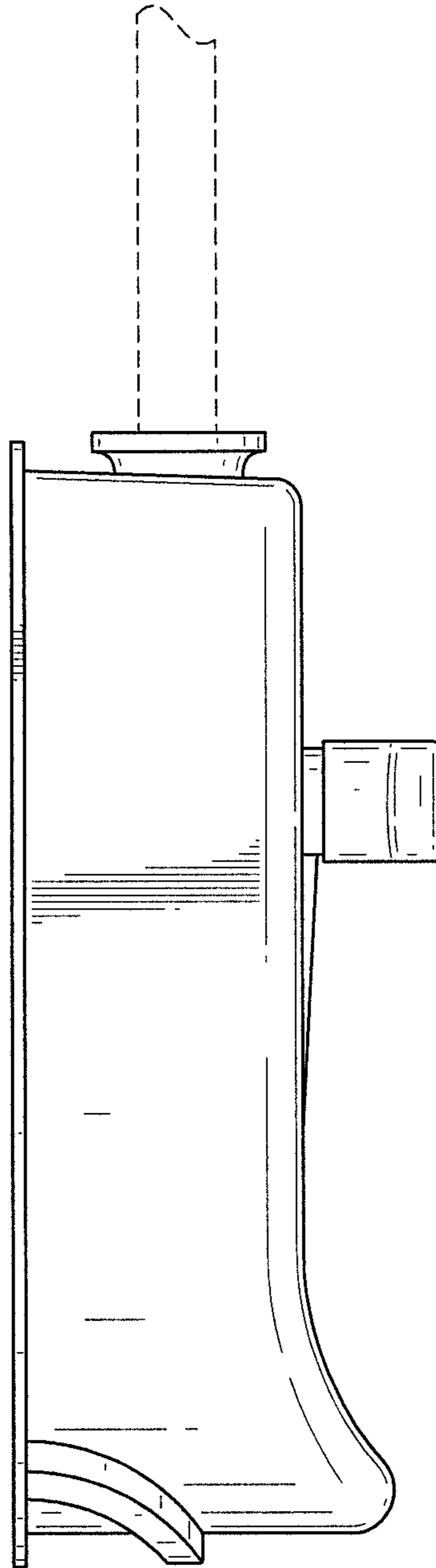


FIG.4

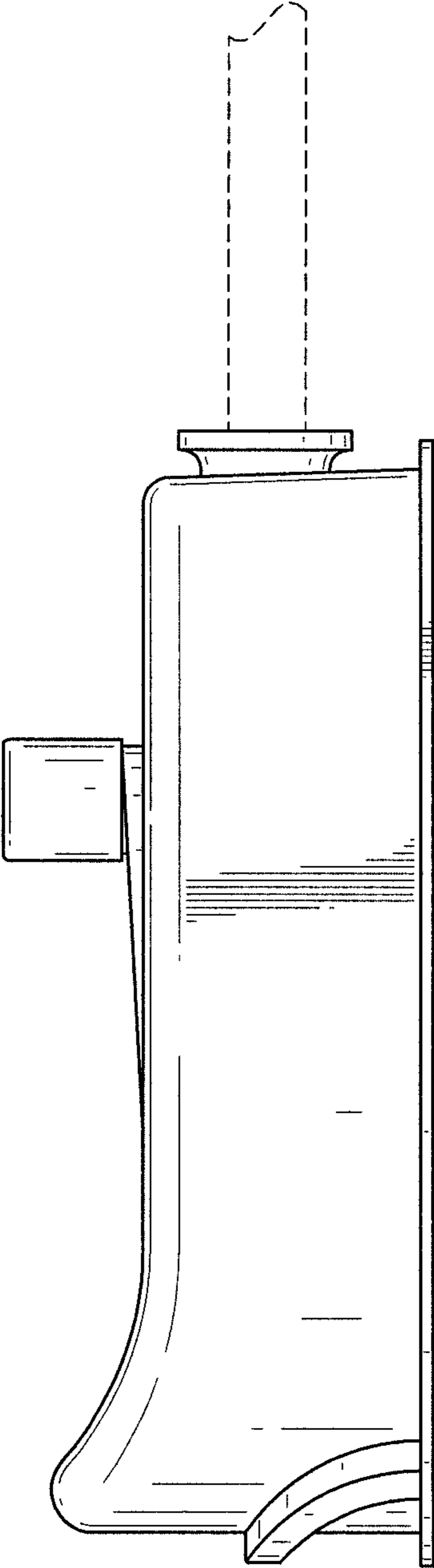


FIG.5