



US00D693457S

(12) **United States Design Patent**
Mayer

(10) **Patent No.:** **US D693,457 S**

(45) **Date of Patent:** **** Nov. 12, 2013**

(54) **INHALER**

(75) Inventor: **Stefan Mayer**, Freiburg im Breisgau
(DE)

(73) Assignee: **Siegfried Generics International AG**,
Zofingen (CH)

(**) Term: **14 Years**

(21) Appl. No.: **29/301,323**

(22) Filed: **Feb. 22, 2008**

(30) **Foreign Application Priority Data**

Sep. 12, 2007 (EM) 000788682

(51) **LOC (9) Cl.** **24-01**

(52) **U.S. Cl.**
USPC **D24/110**

(58) **Field of Classification Search**
USPC D24/108-110.5, 112-114;
128/200.14-200.23, 203.12-203.24
See application file for complete search history.

(56) **References Cited**

U.S. PATENT DOCUMENTS

- D348,928 S * 7/1994 Ashley et al. D24/110
- D350,193 S * 8/1994 Huck et al. D24/110
- D395,706 S * 6/1998 Minshull D24/110
- D397,435 S * 8/1998 Naumann D24/110
- D417,732 S * 12/1999 Dagsland et al. D24/110
- D417,912 S * 12/1999 Dagsland et al. D24/110

- D441,446 S * 5/2001 Dagsland et al. D24/110
- D447,230 S * 8/2001 Matsugi et al. D24/110
- D493,220 S * 7/2004 Burge et al. D24/110
- D509,296 S * 9/2005 Minshull et al. D24/110
- D516,211 S * 2/2006 Minshull et al. D24/110
- 7,827,989 B2 * 11/2010 Butterworth et al. 128/205.23

* cited by examiner

Primary Examiner — Ian Simmons

Assistant Examiner — Charles Hanson

(74) *Attorney, Agent, or Firm* — Jenkins, Wilson, Taylor & Hunt, P.A.

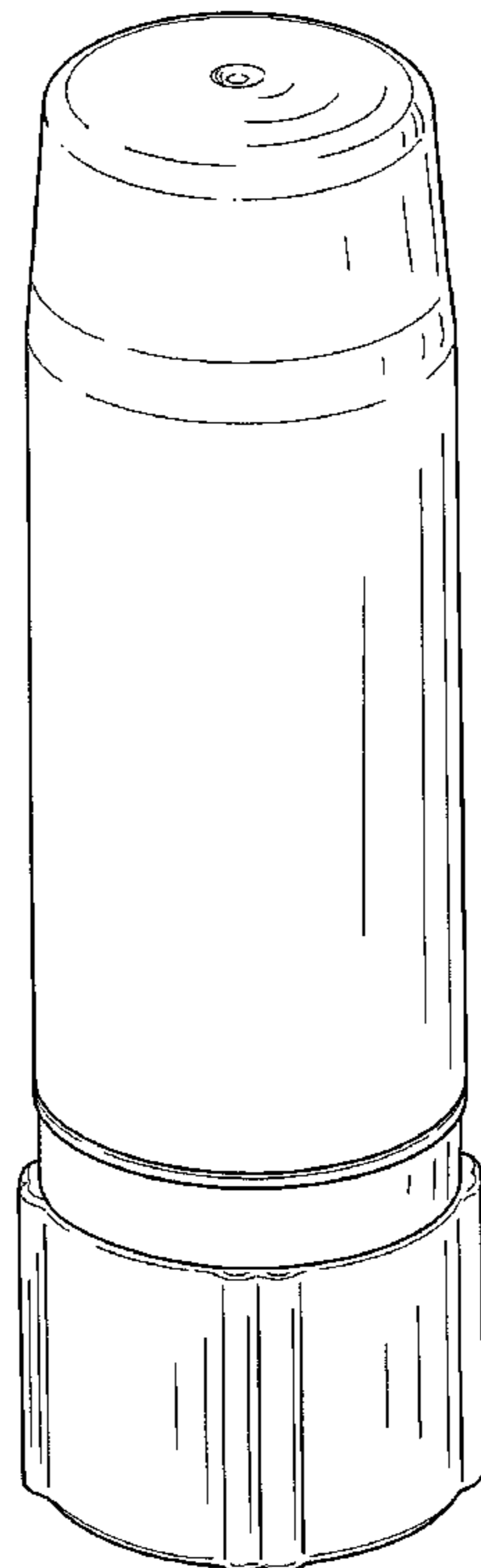
(57) **CLAIM**

The ornamental design for an inhaler, as shown and described.

DESCRIPTION

FIG. 1 is a side view of an inhaler with attached lid;
 FIG. 2 is a top view of the inhaler with attached lid;
 FIG. 3 is a bottom view of the inhaler with attached lid;
 FIG. 4 is a perspective view of the inhaler with attached lid;
 FIG. 5 is a front view of the inhaler with detached lid;
 FIG. 6 is a rear view of the inhaler with detached lid;
 FIG. 7 is a right-hand side view of the inhaler with detached lid;
 FIG. 8 is a left-hand side view of the inhaler with detached lid;
 FIG. 9 is a top view of the inhaler with detached lid;
 FIG. 10 is a bottom view of the inhaler with detached lid; and,
 FIG. 11 is a perspective view of the inhaler with detached lid.
 The broken lines are included for the purpose of illustrating environment only and form no part of the claimed design.

1 Claim, 11 Drawing Sheets



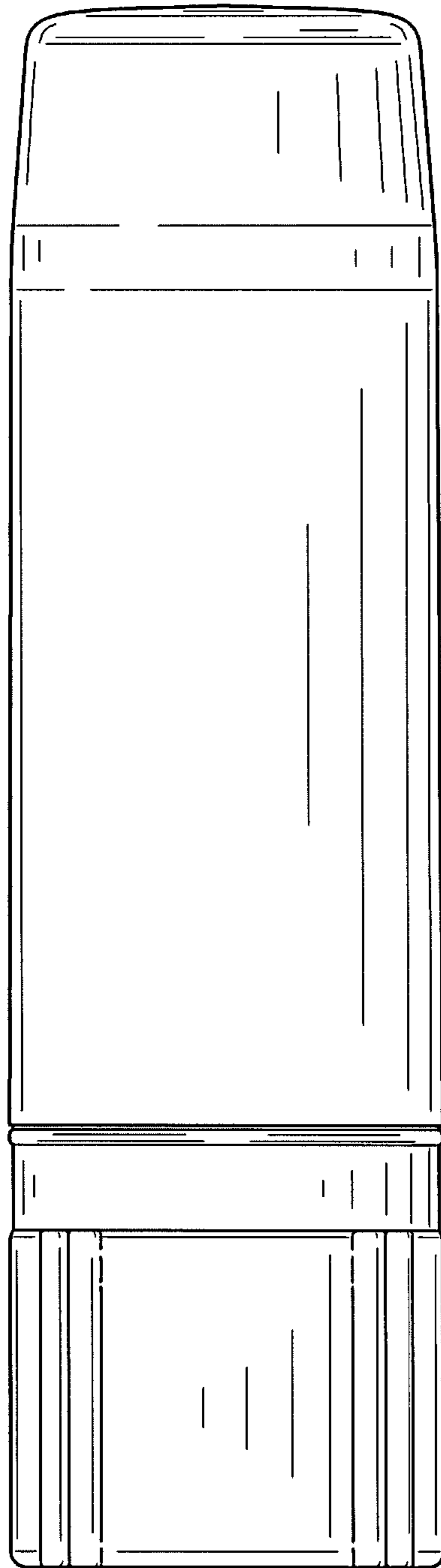


FIG. 1

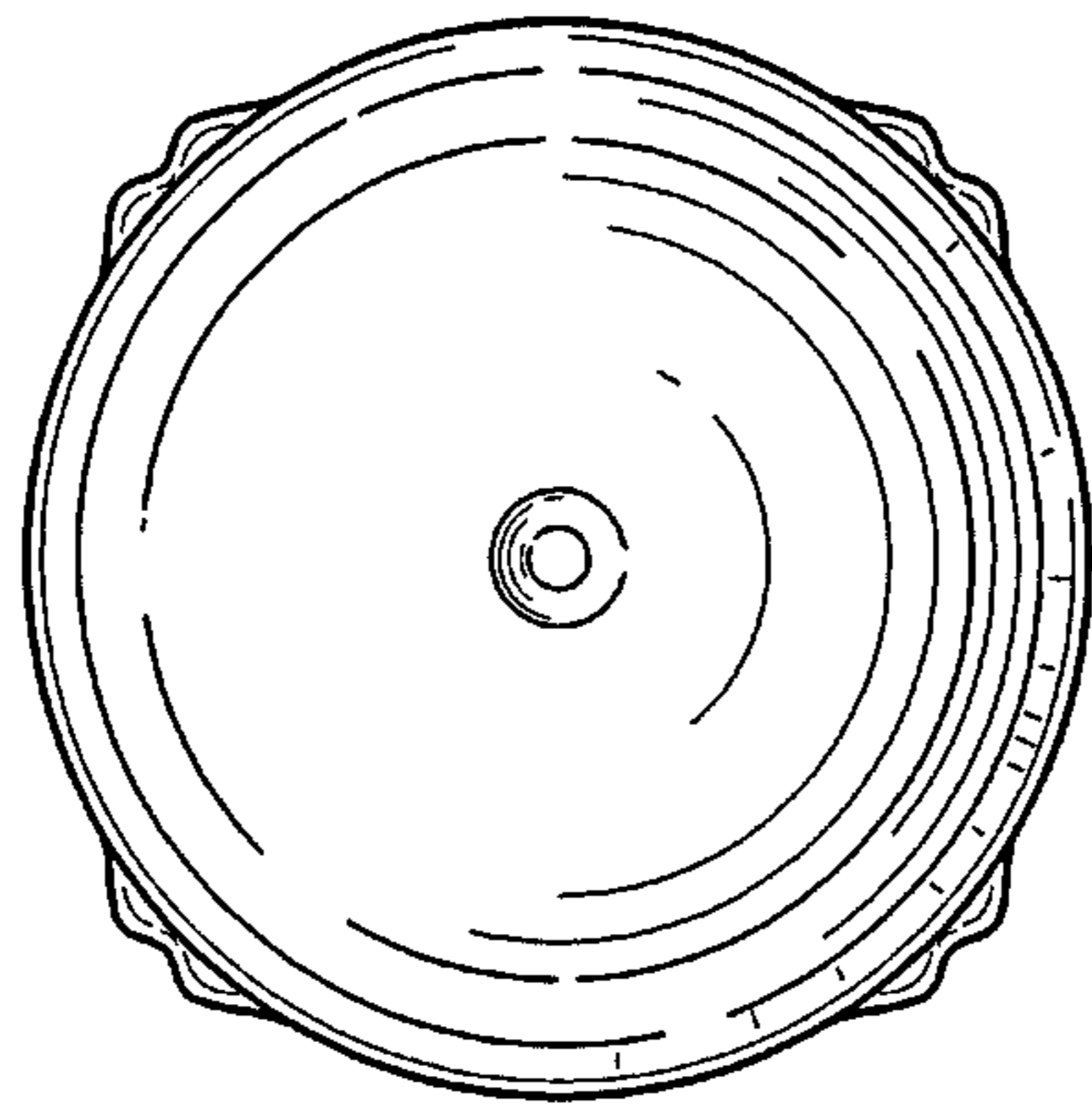


FIG. 2

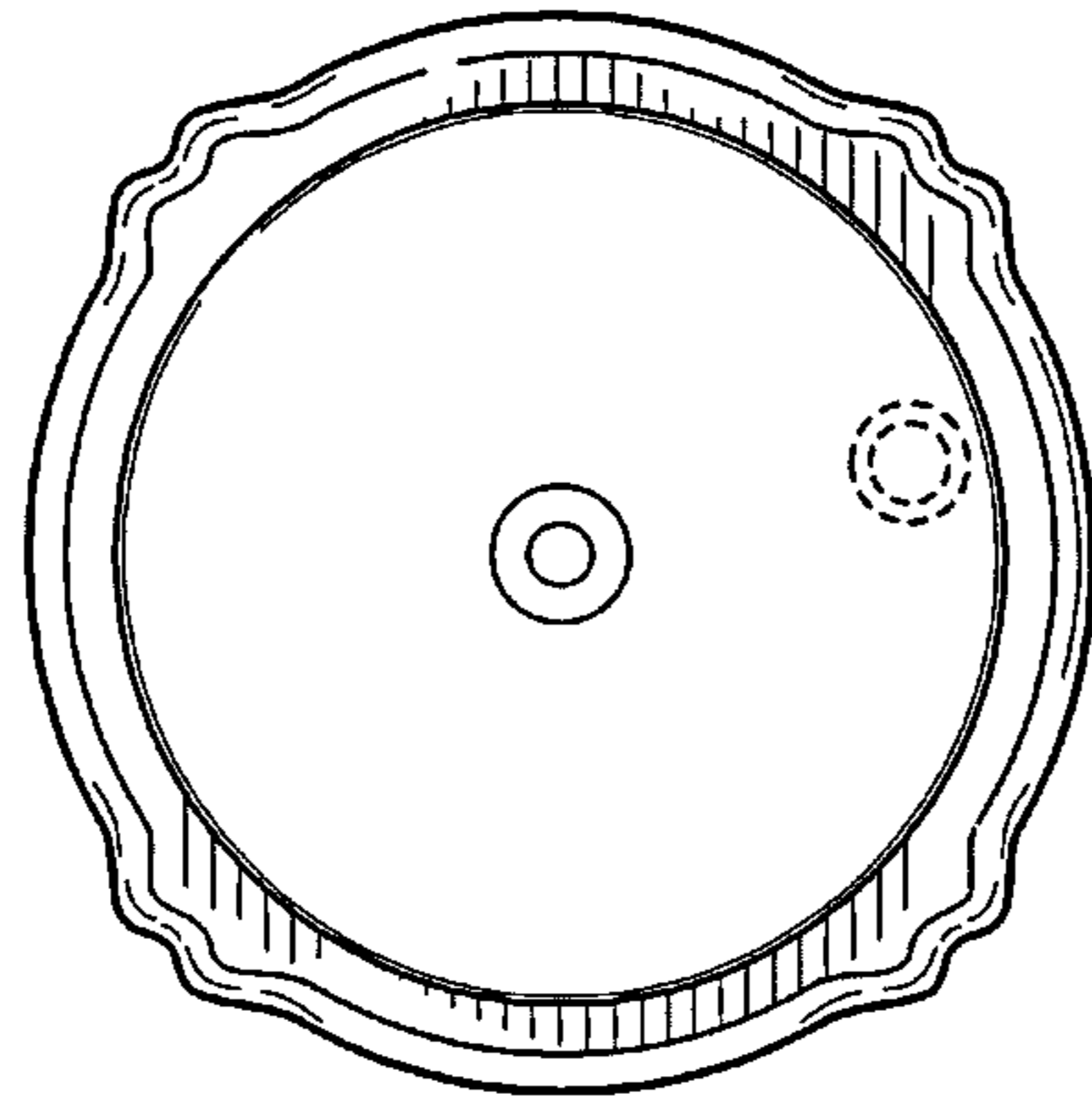


FIG. 3

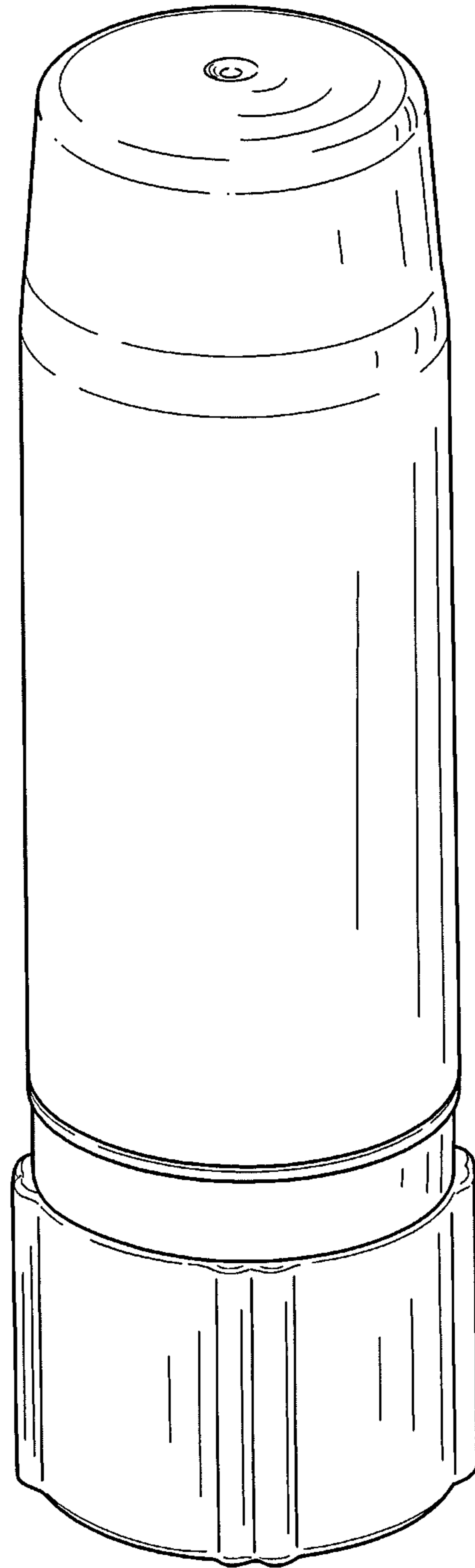


FIG. 4

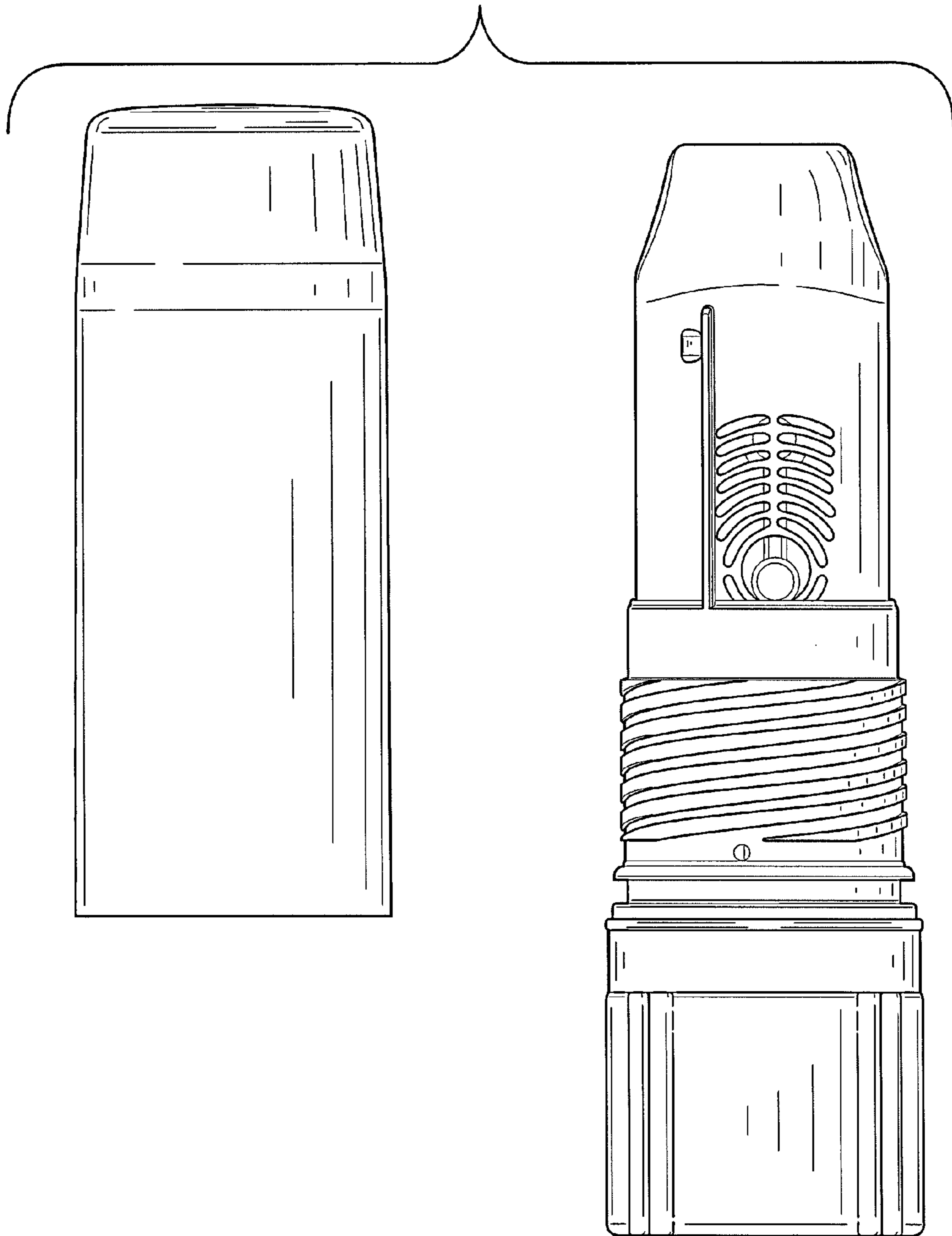


FIG. 5

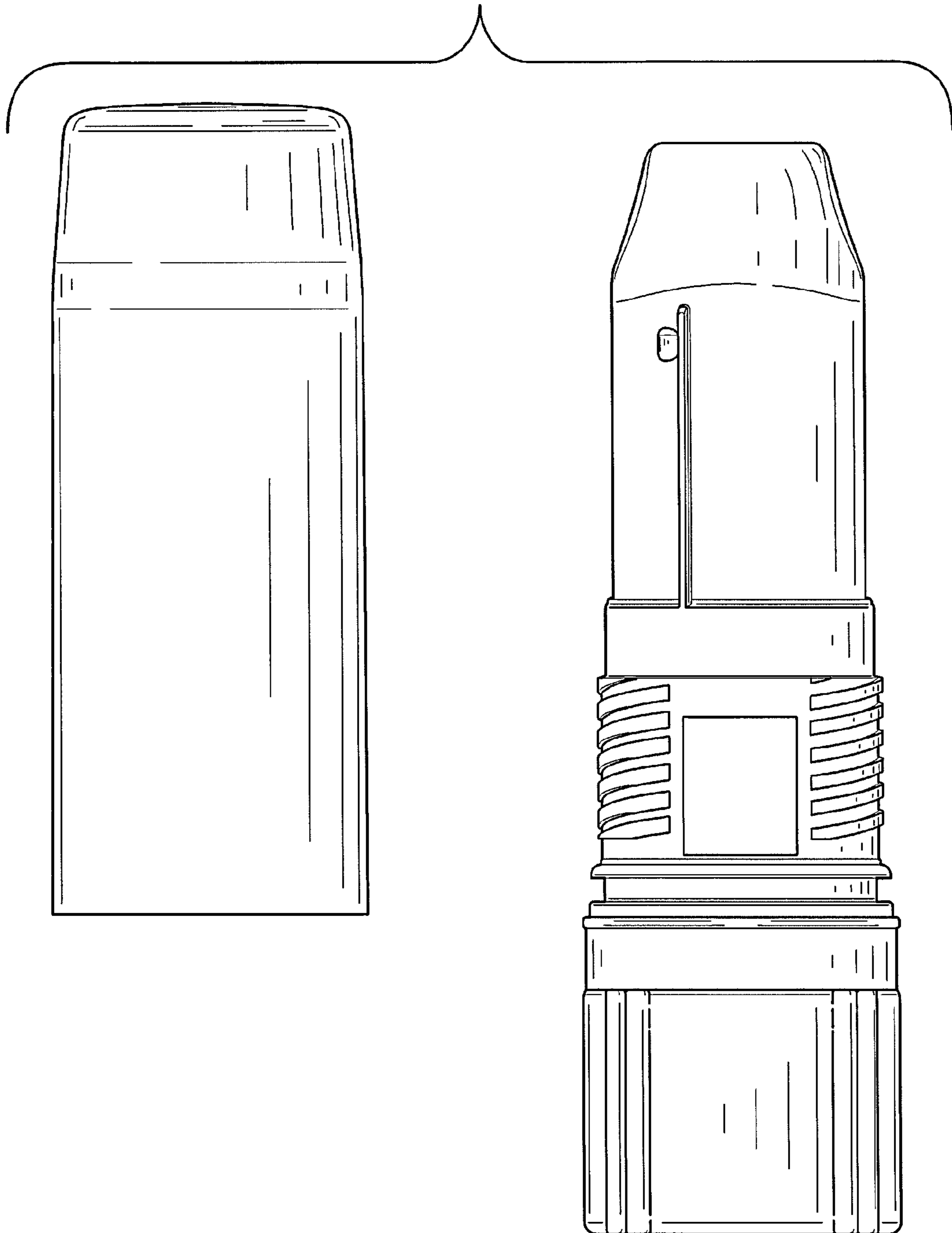


FIG. 6

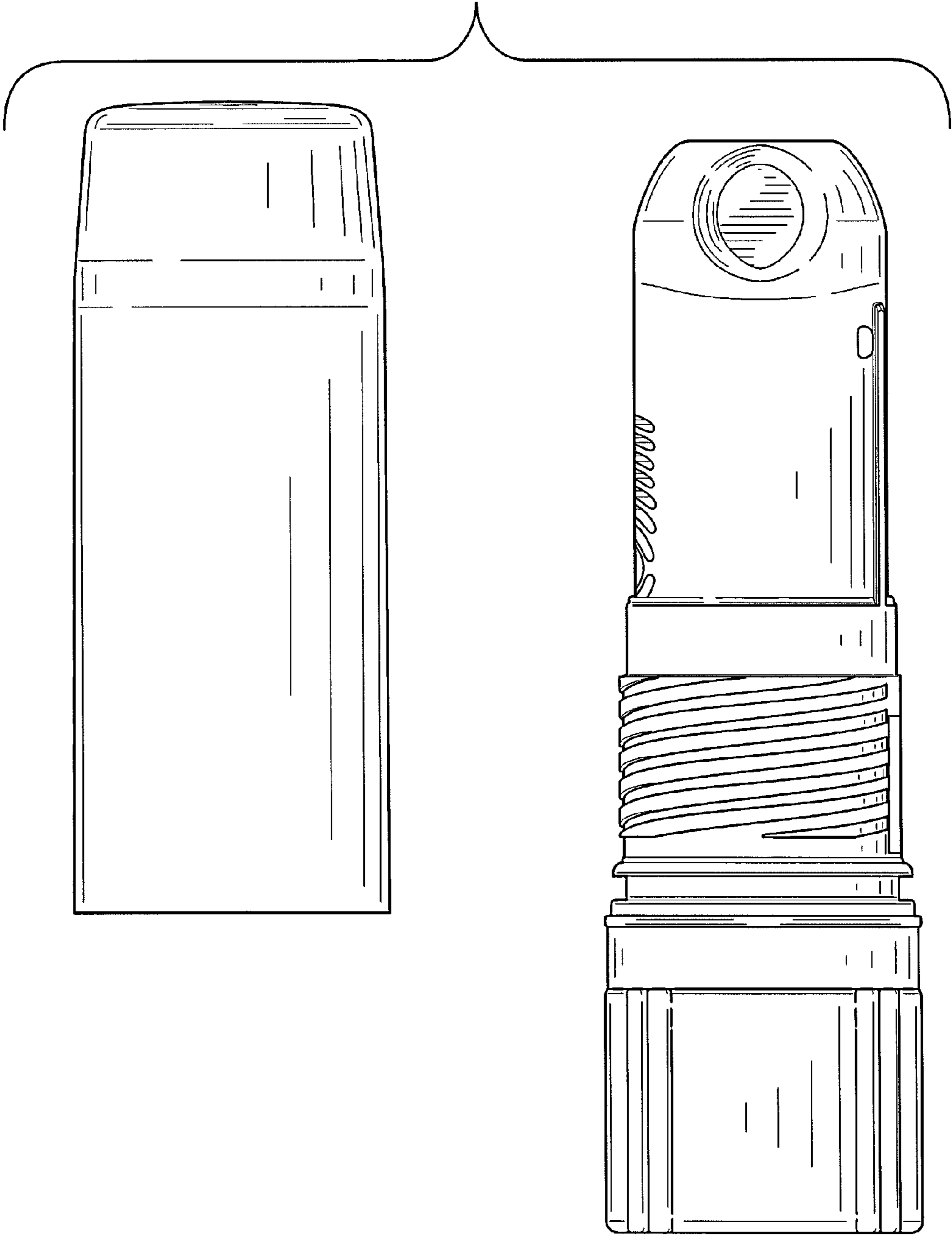


FIG. 7

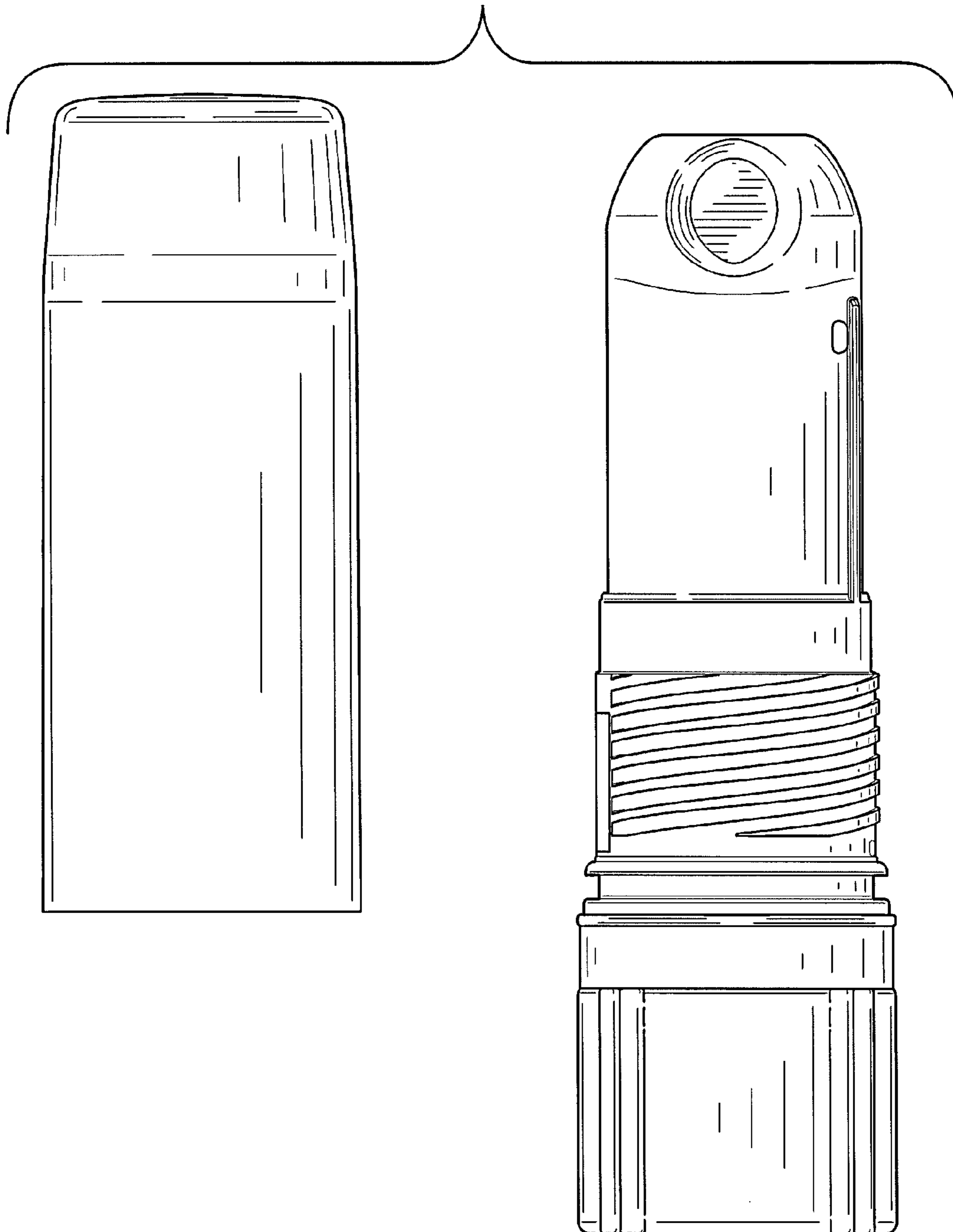


FIG. 8

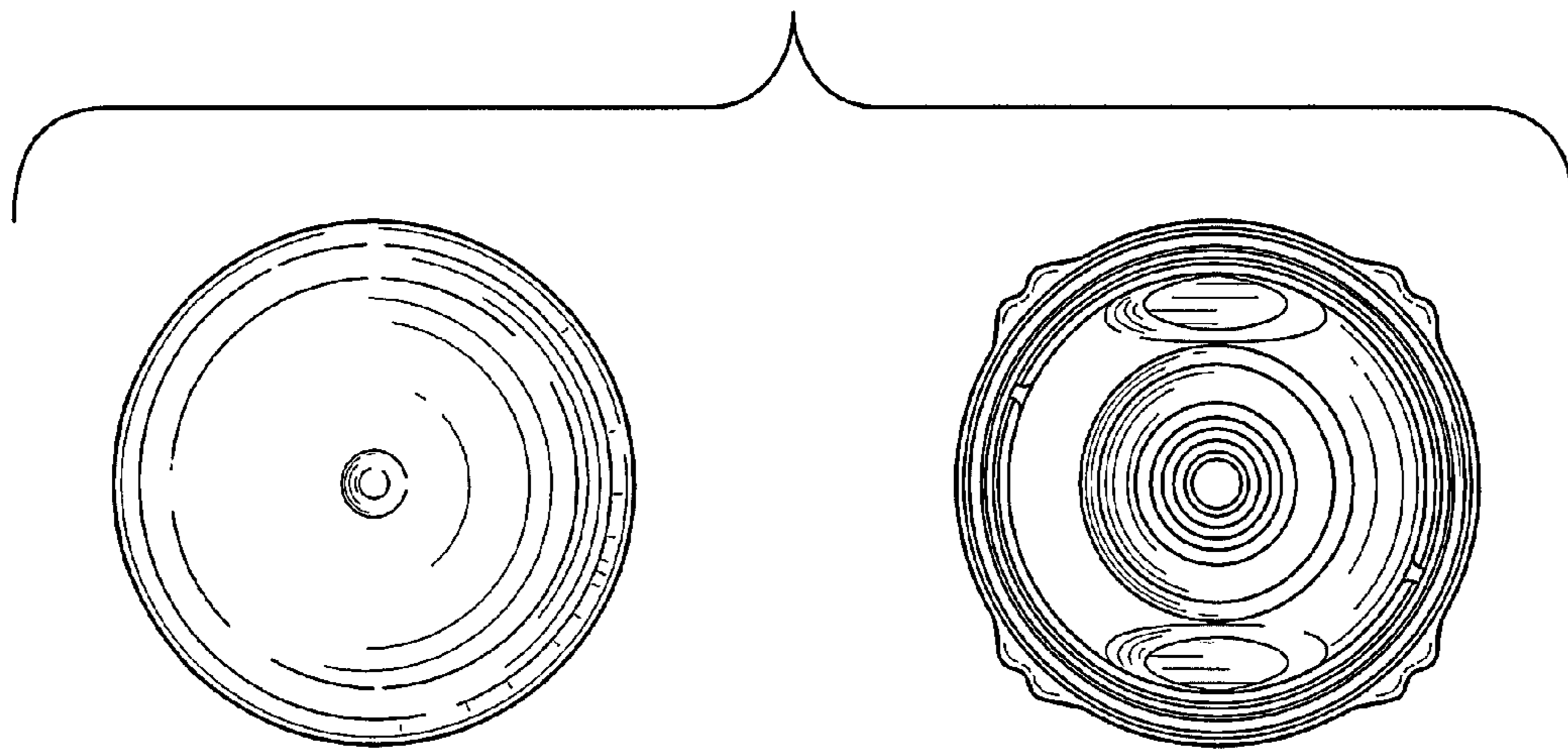


FIG. 9

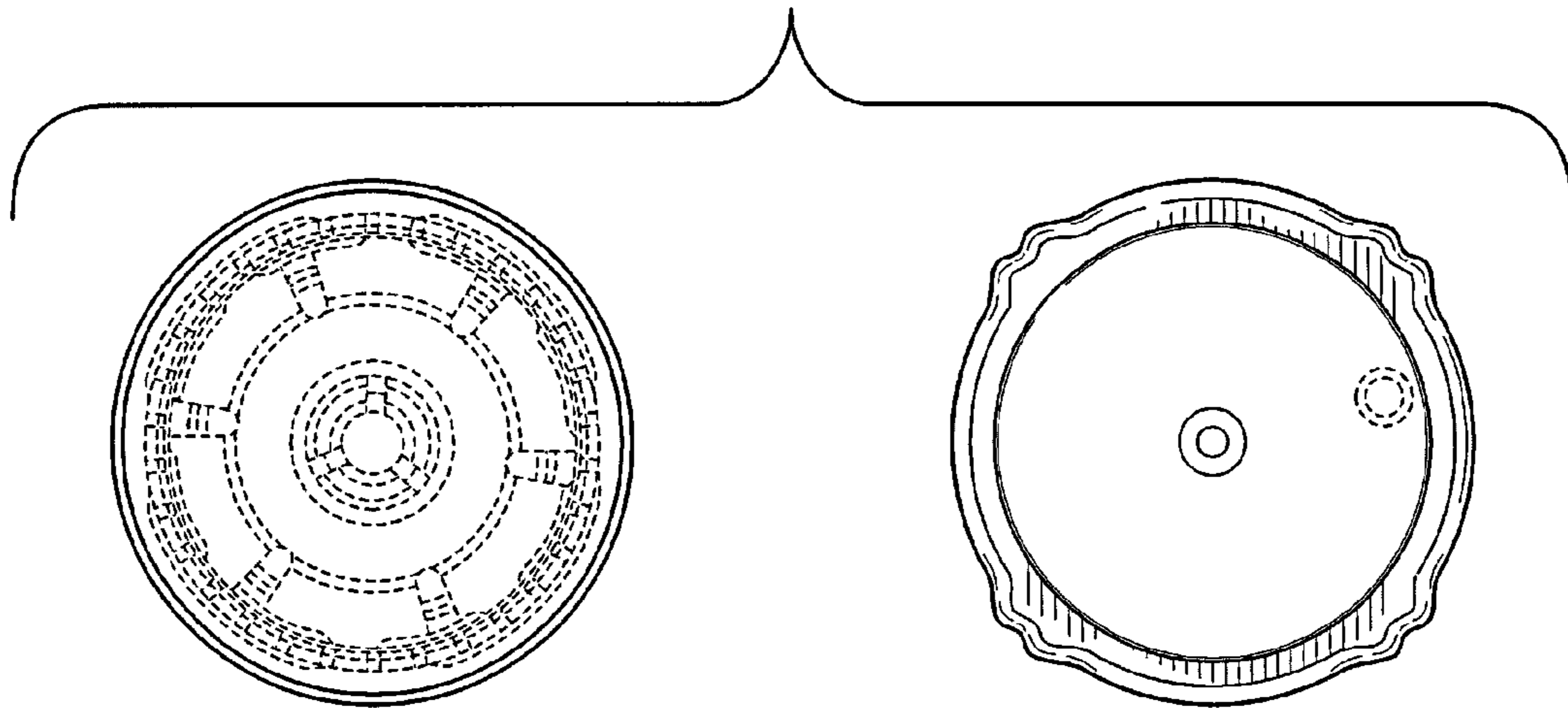


FIG. 10

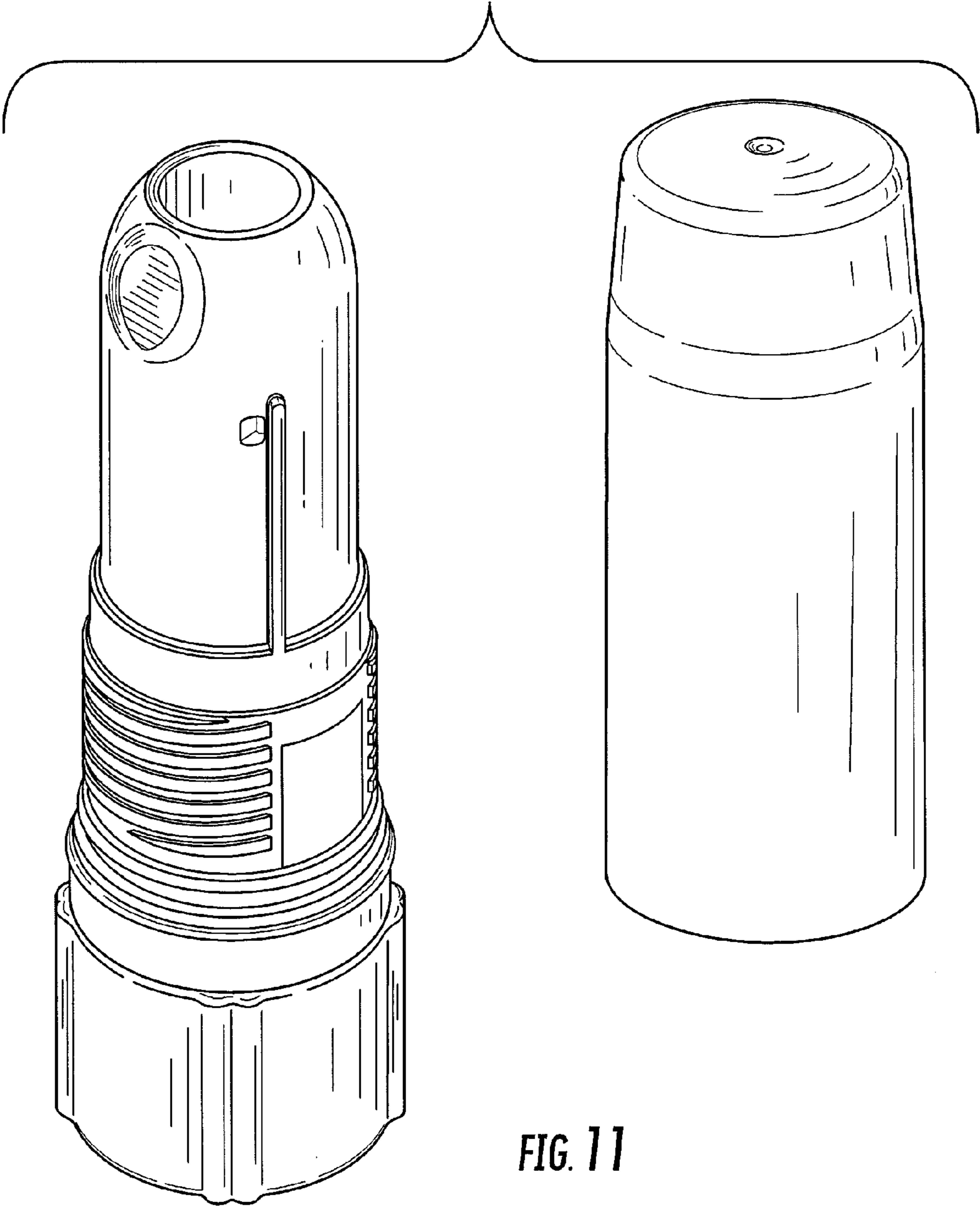


FIG. 11