

US00D693450S

(12) **United States Design Patent**  
**Barlam**

(10) **Patent No.:** **US D693,450 S**

(45) **Date of Patent:** **\*\* Nov. 12, 2013**

(54) **SHOE SANITIZER**

(71) Applicant: **Serge Barlam**, Redmond, WA (US)

(72) Inventor: **Serge Barlam**, Redmond, WA (US)

(\*\*) Term: **14 Years**

(21) Appl. No.: **29/460,754**

(22) Filed: **Jul. 15, 2013**

(51) **LOC (9) Cl.** ..... **28-99**

(52) **U.S. Cl.**  
USPC ..... **D23/366**

(58) **Field of Classification Search**  
USPC ..... D23/355-369; D28/5, 6; 261/DIG. 17,  
261/DIG. 42, DIG. 65, DIG. 88, DIG. 89;  
392/366, 390, 394, 395; 239/34, 44,  
239/53, 55, 56, 326  
See application file for complete search history.

(56) **References Cited**

**U.S. PATENT DOCUMENTS**

3,970,856	A	*	7/1976	Mahaffey et al.	.....	250/493.1
D415,268	S	*	10/1999	Farmer	.....	D23/366
D417,727	S	*	12/1999	Christianson	.....	D23/366
D485,364	S	*	1/2004	Lee	.....	D24/217
D507,341	S	*	7/2005	Taylor	.....	D23/368
D550,345	S	*	9/2007	Weggelaar	.....	D23/366
D591,415	S	*	4/2009	Wu	.....	D23/366
D620,578	S	*	7/2010	Russell et al.	.....	D23/366
D641,463	S	*	7/2011	Hirst et al.	.....	D23/366
D647,186	S	*	10/2011	Chan et al.	.....	D23/364

\* cited by examiner

*Primary Examiner* — Sandra Snapp

(74) *Attorney, Agent, or Firm* — Law Office of David L. Romero; David L. Romero

(57) **CLAIM**

The ornamental design for a shoe sanitizer, as shown and described.

**DESCRIPTION**

FIG. 1 is a isometric view of a shoe sanitizer, in which a UV light bulb is installed, showing the new design.

FIG. 2 is rear isometric view showing the shoe sanitizer design.

FIG. 3 is a top plan view with cross sections provided thereof.

FIG. 4 is a bottom plan view thereof.

FIG. 5 is a left side elevation view thereof.

FIG. 6 is a right side elevation view thereof.

FIG. 7 is a front elevation view thereof.

FIG. 8 is a rear elevation view thereof.

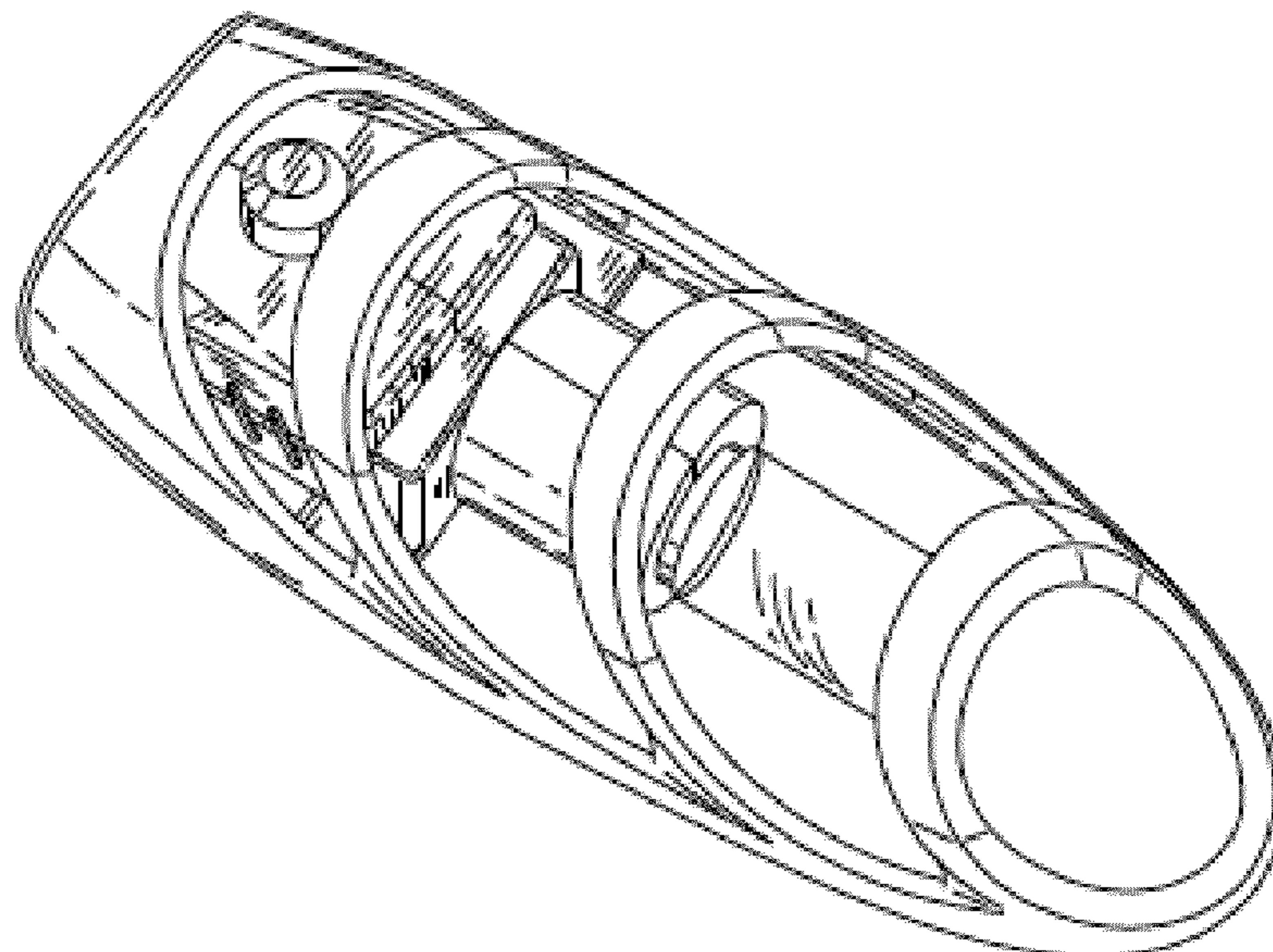
FIG. 9 is a cross-sectional view taken along line 9-9 in FIG. 3; and,

FIG. 10 is a cross-sectional view taken along line 10-10 in FIG. 3.

The broken lines herein are included for illustrative purposes only and form no part of the claimed design.

The present invention relates generally to a new design for an improved apparatus for sanitizing the interior of a shoe. More specifically, the design relates to a device that kills bacteria within the interior of a shoe employing use of a UV light, in an effective pathogen killing range, sanitizing the shoe and subsequently deodorizing the shoe, thus, providing added usefulness of the shoe, as well as a more pleasant experience, for the wearer.

**1 Claim, 4 Drawing Sheets**



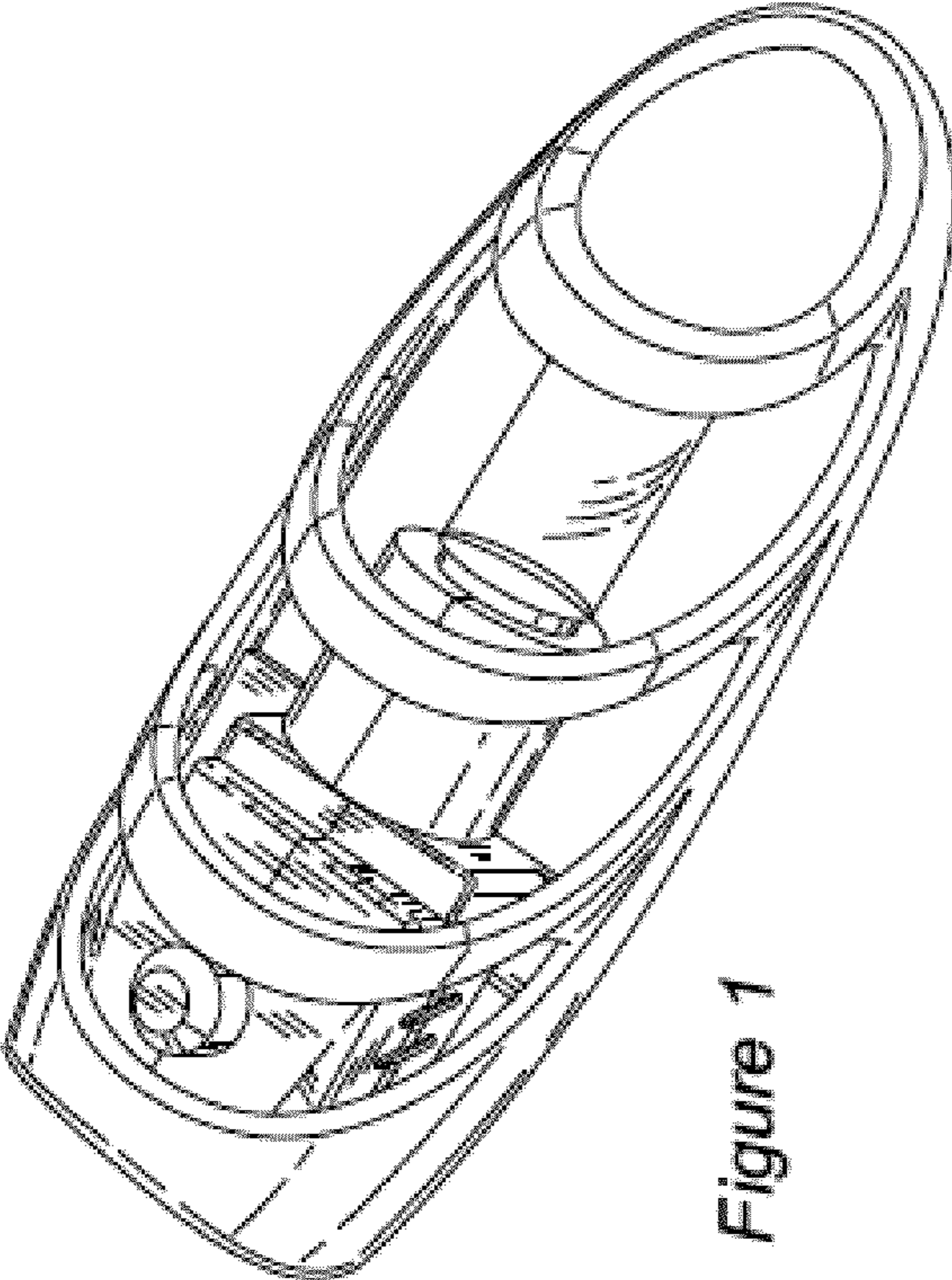


Figure 1

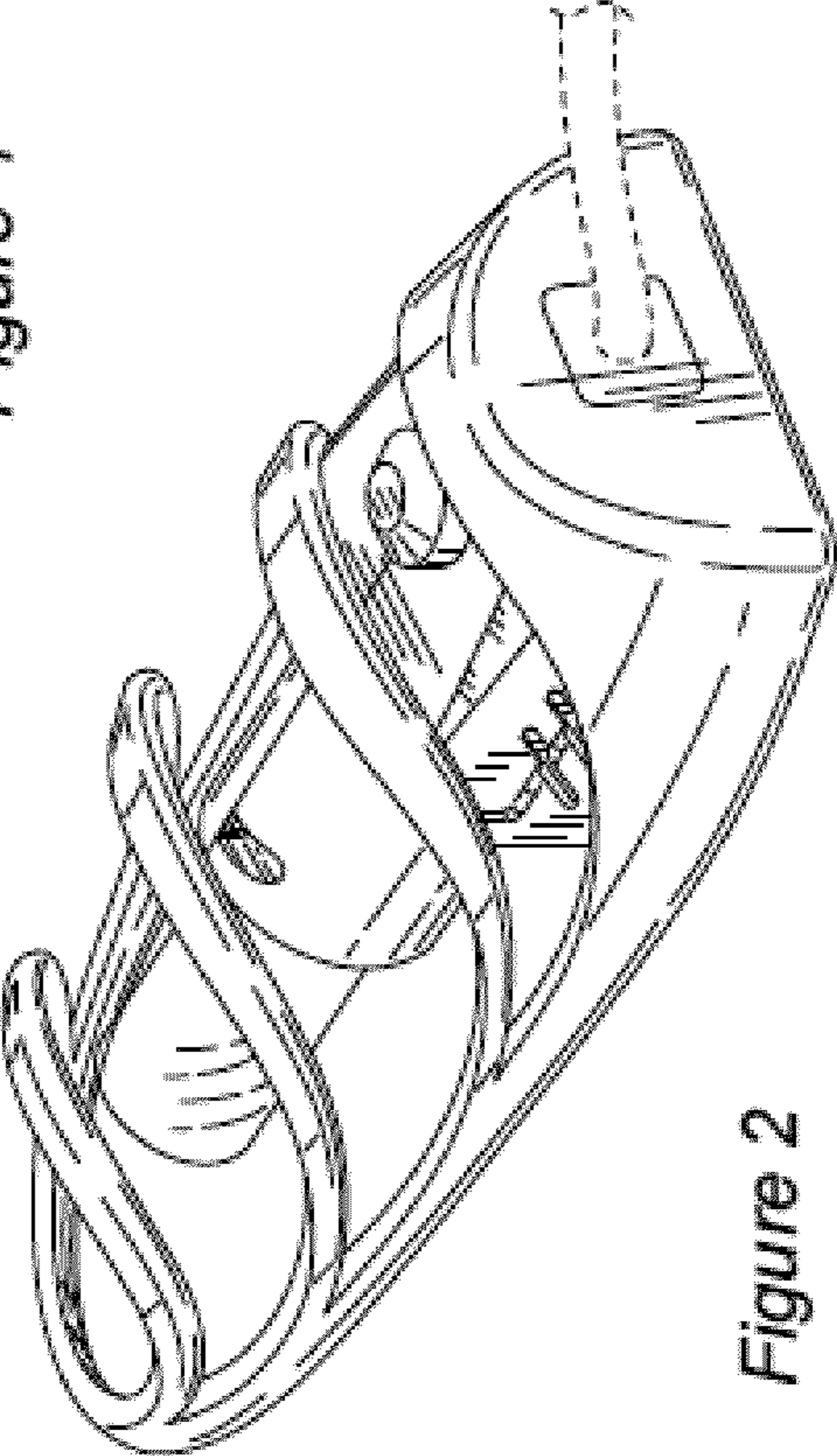


Figure 2

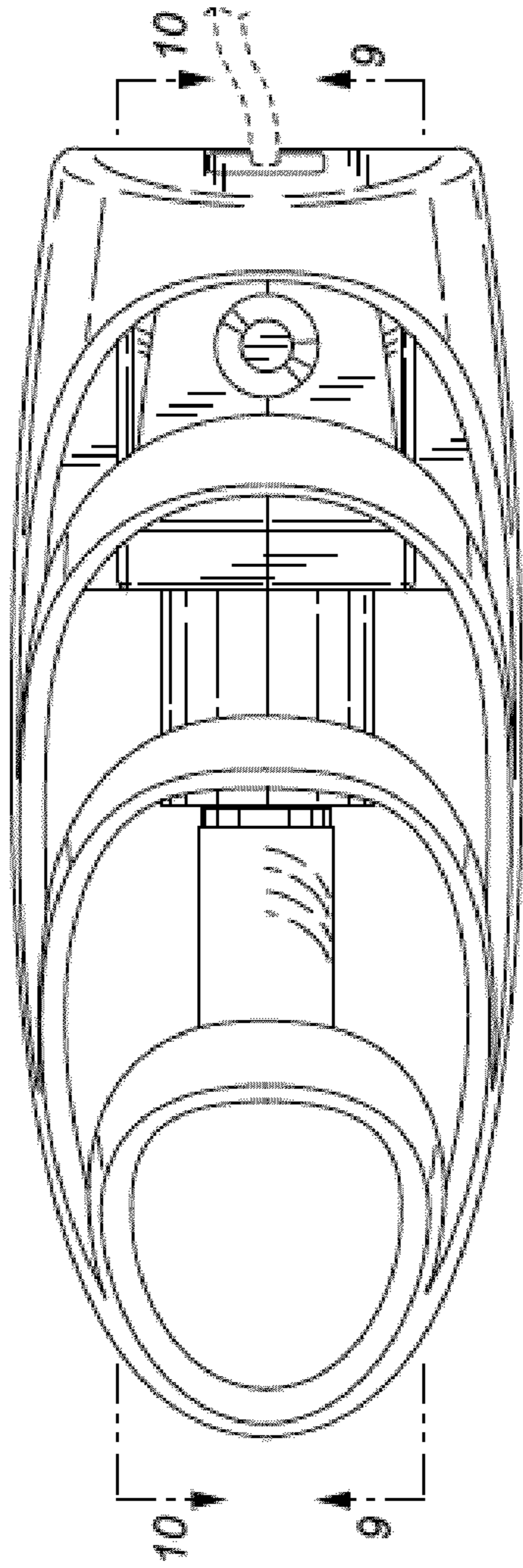


Figure 3

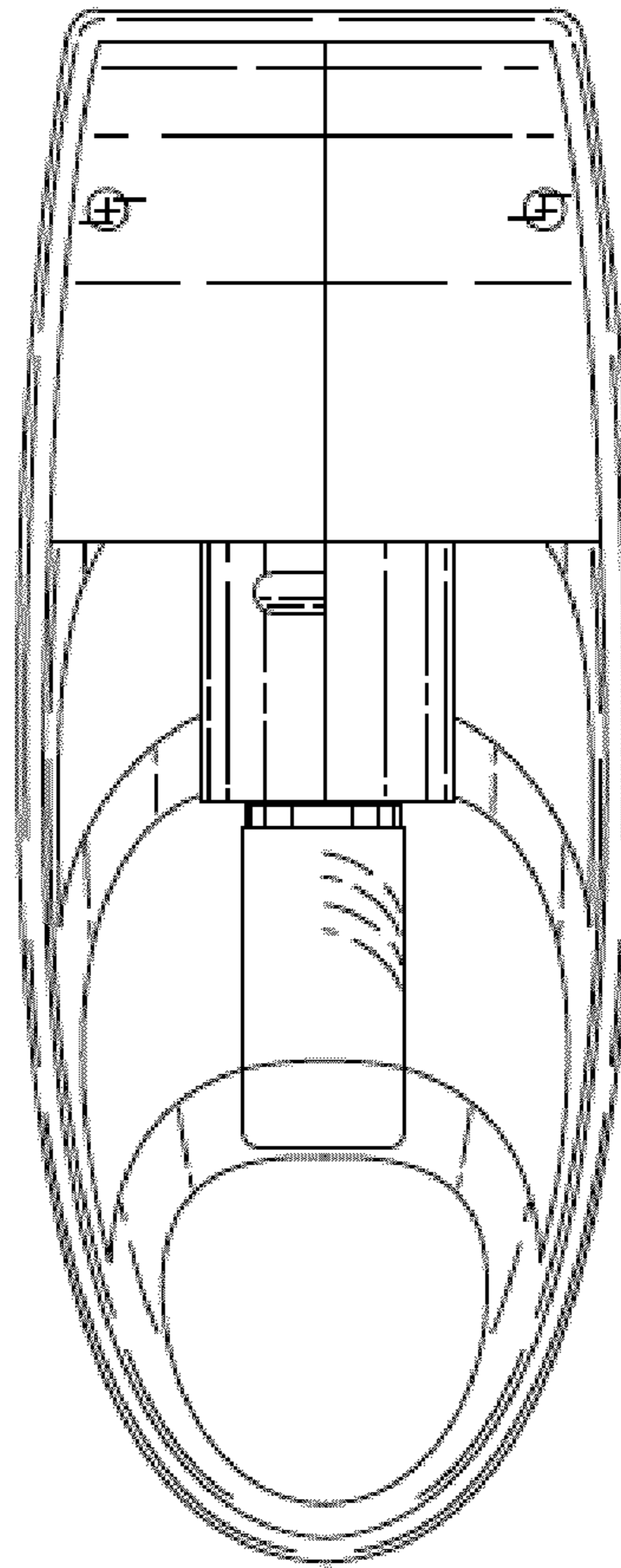


Figure 4

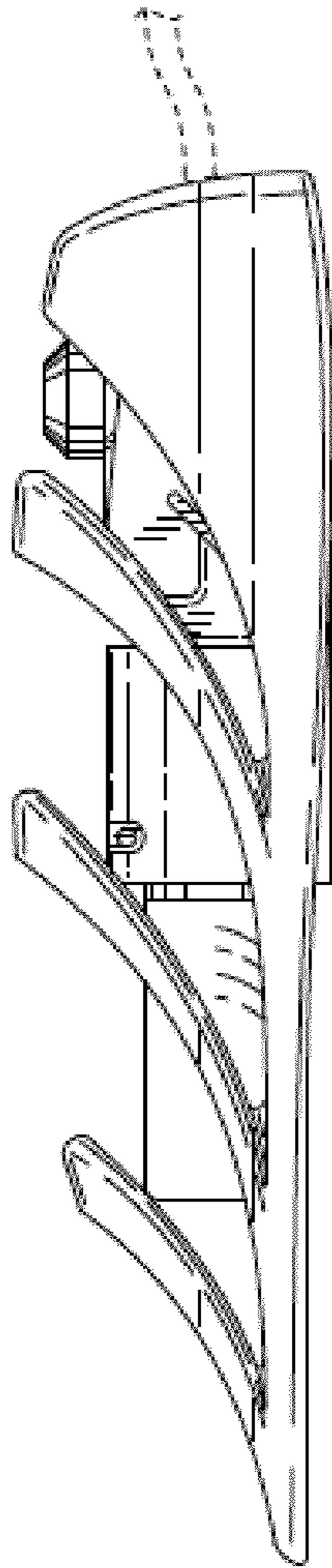


Figure 5

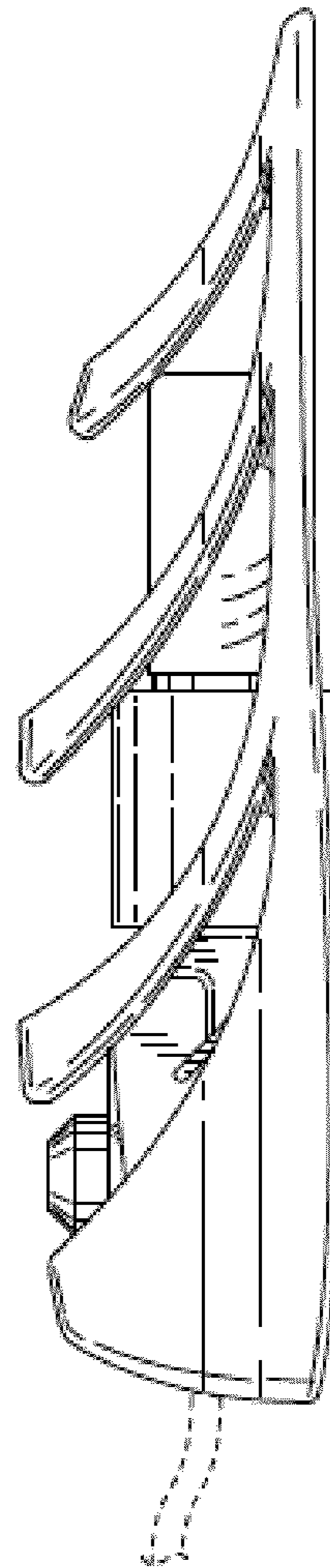


Figure 6

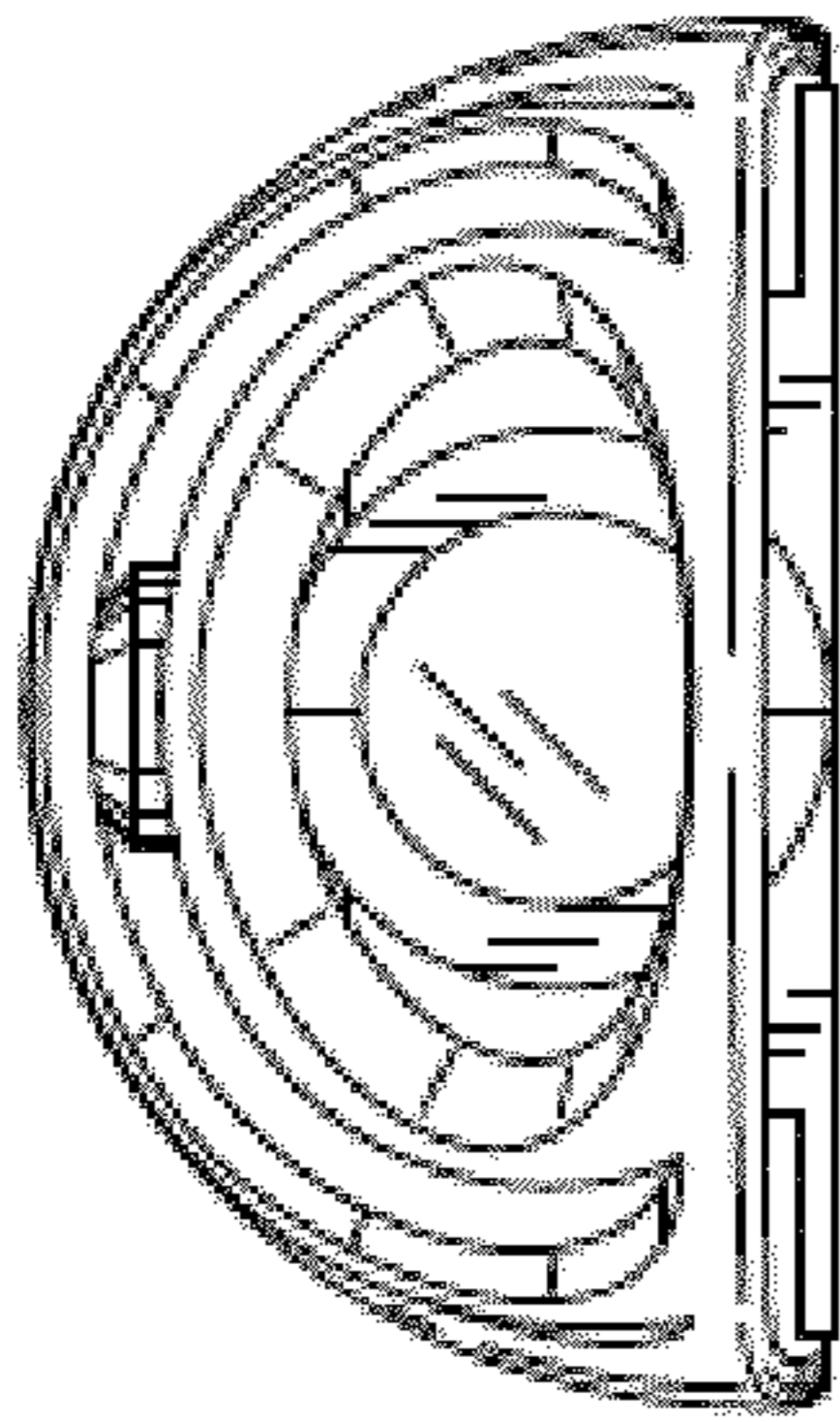


Figure 7

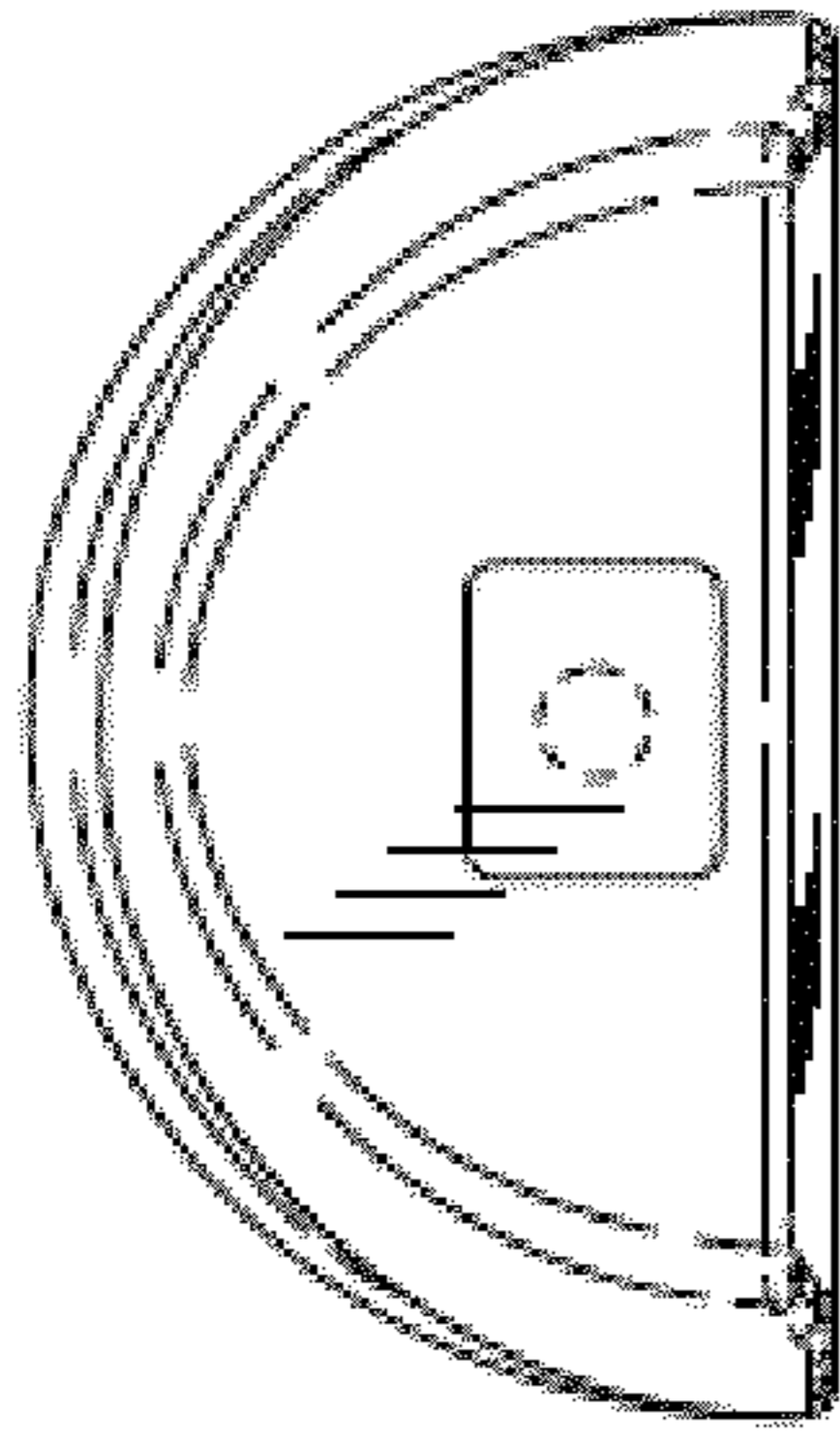


Figure 8

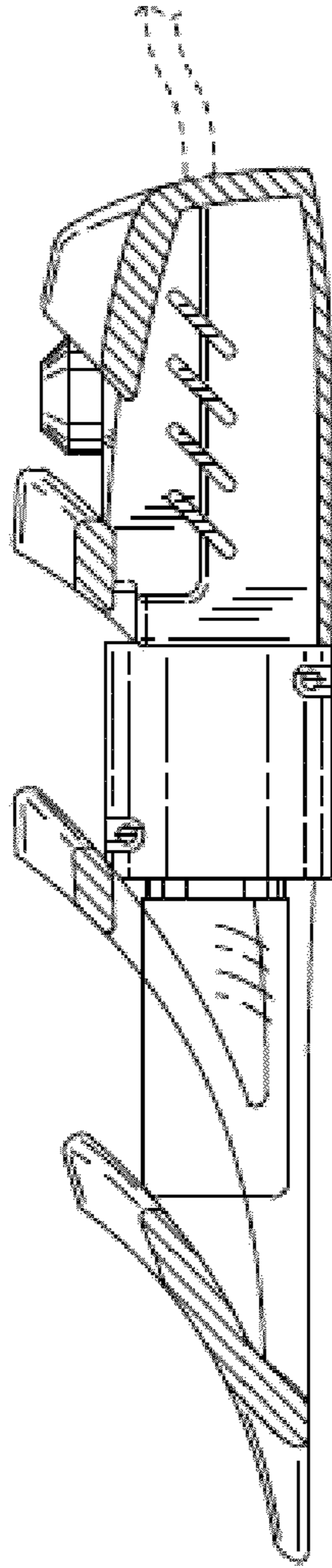


Figure 9

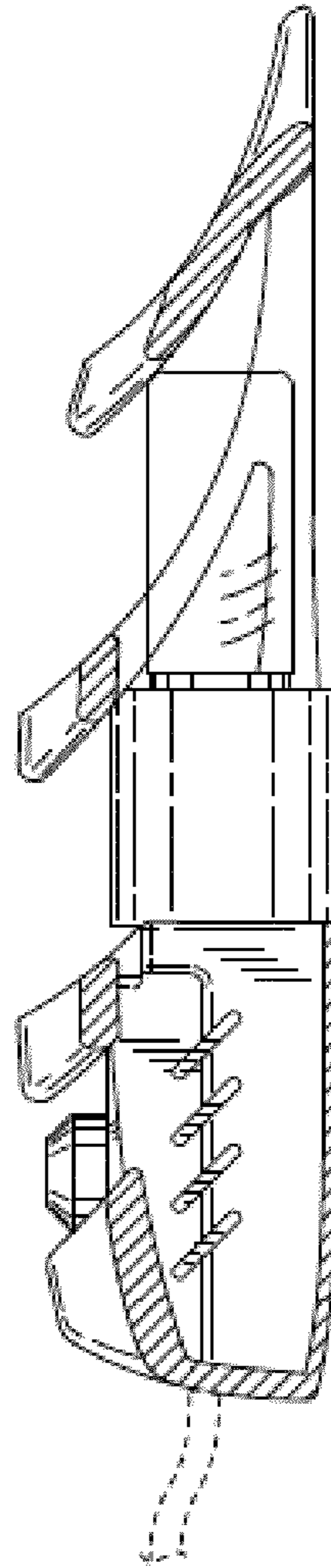


Figure 10