



US00D693447S

(12) **United States Design Patent**
Tanno et al.

(10) **Patent No.:** **US D693,447 S**

(45) **Date of Patent:** **** Nov. 12, 2013**

- (54) **HEAT SOURCE APPARATUS**
- (71) Applicant: **Toshiba Carrier Corporation**, Tokyo (JP)
- (72) Inventors: **Hideki Tanno**, Fuji (JP); **Manabu Yamamoto**, Fuji (JP); **Takeru Morita**, Fuji (JP)
- (73) Assignee: **Toshiba Carrier Corporation**, Tokyo (JP)
- (**) Term: **14 Years**
- (21) Appl. No.: **29/433,203**
- (22) Filed: **Sep. 27, 2012**
- (30) **Foreign Application Priority Data**
 - Apr. 4, 2012 (JP) 2012-085611
 - Jul. 12, 2012 (JP) 2012-156806
- (51) **LOC (9) Cl.** **23-03**
- (52) **U.S. Cl.**
USPC **D23/314**
- (58) **Field of Classification Search**
USPC D23/314, 329, 351, 342; 165/122, 124, 165/299, 900; 62/324, 314
See application file for complete search history.

- D283,912 S * 5/1986 Miyamoto et al. D23/351
- D562,954 S * 2/2008 Brenneke et al. D23/351
- D604,400 S * 11/2009 Sata et al. D23/351
- D617,886 S * 6/2010 Sata et al. D23/351
- D617,887 S * 6/2010 Sata et al. D23/351
- D629,092 S * 12/2010 Tanno et al. D23/351

* cited by examiner

Primary Examiner — T. Chase Nelson

Assistant Examiner — Ania Aman

(74) *Attorney, Agent, or Firm* — Scott A. Felder; Wiley Rein LLP

(57) **CLAIM**

The ornamental design for a heat source apparatus, as shown and described.

DESCRIPTION

FIG. 1 is a front and right side perspective view of a heat source apparatus according to the novel design.

FIG. 2 is a front view of a heat source apparatus according to the novel design.

FIG. 3 is a right side view of a heat source apparatus according to the novel design.

FIG. 4 is a left side view of a heat source apparatus according to the novel design.

FIG. 5 is a top view of a heat source apparatus according to the novel design.

FIG. 6 is a rear view of a heat source apparatus according to the novel design; and,

FIG. 7 is a bottom view of a heat source apparatus according to the novel design.

The broken lines included in the drawings depict elements that are not part of the claimed design.

1 Claim, 3 Drawing Sheets

- (56) **References Cited**
U.S. PATENT DOCUMENTS
 - 3,384,165 A * 5/1968 Mathews 165/122
 - 4,149,588 A * 4/1979 Waters 165/11.1
 - D283,911 S * 5/1986 Miyamoto et al. D23/351

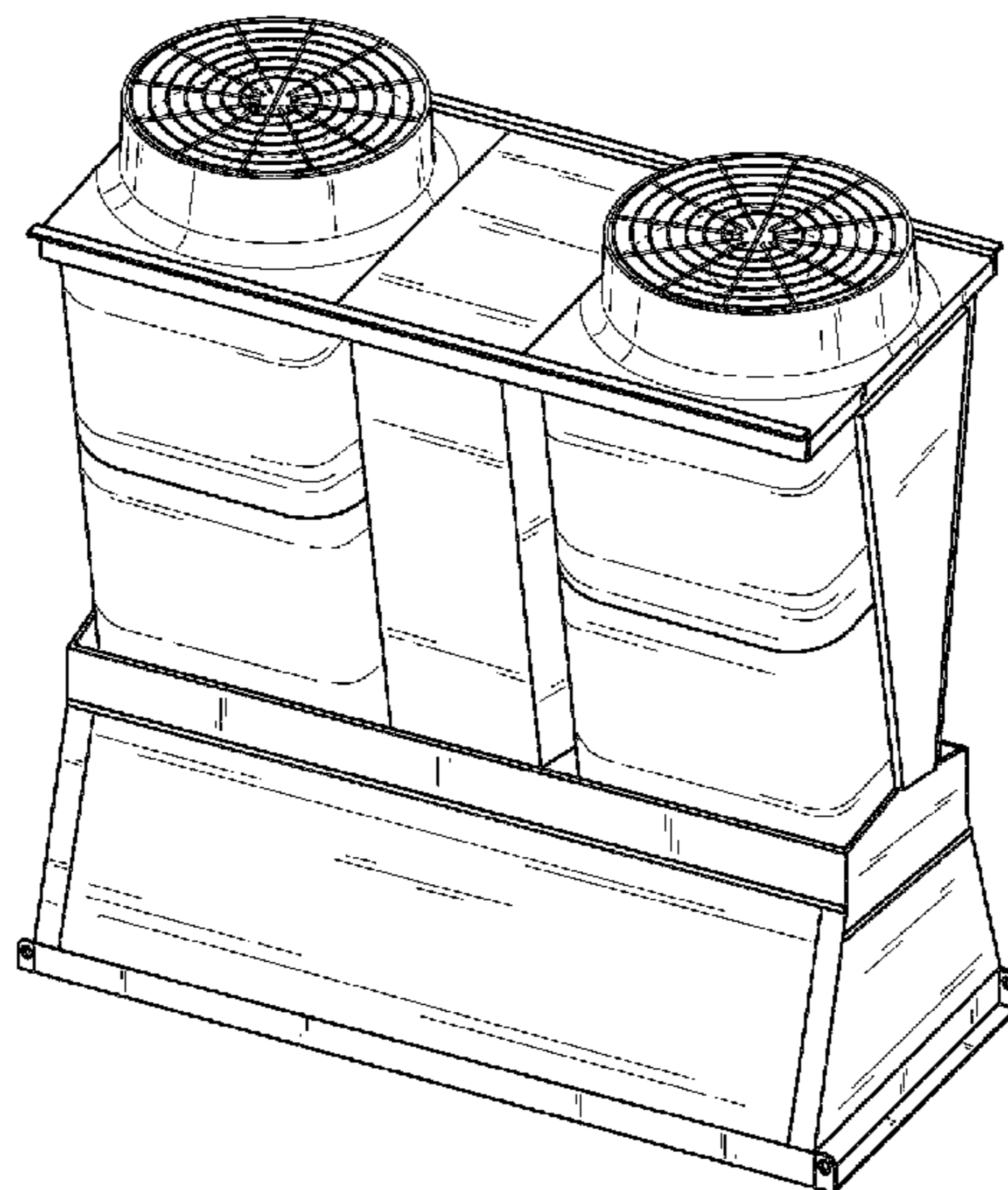


Fig.1

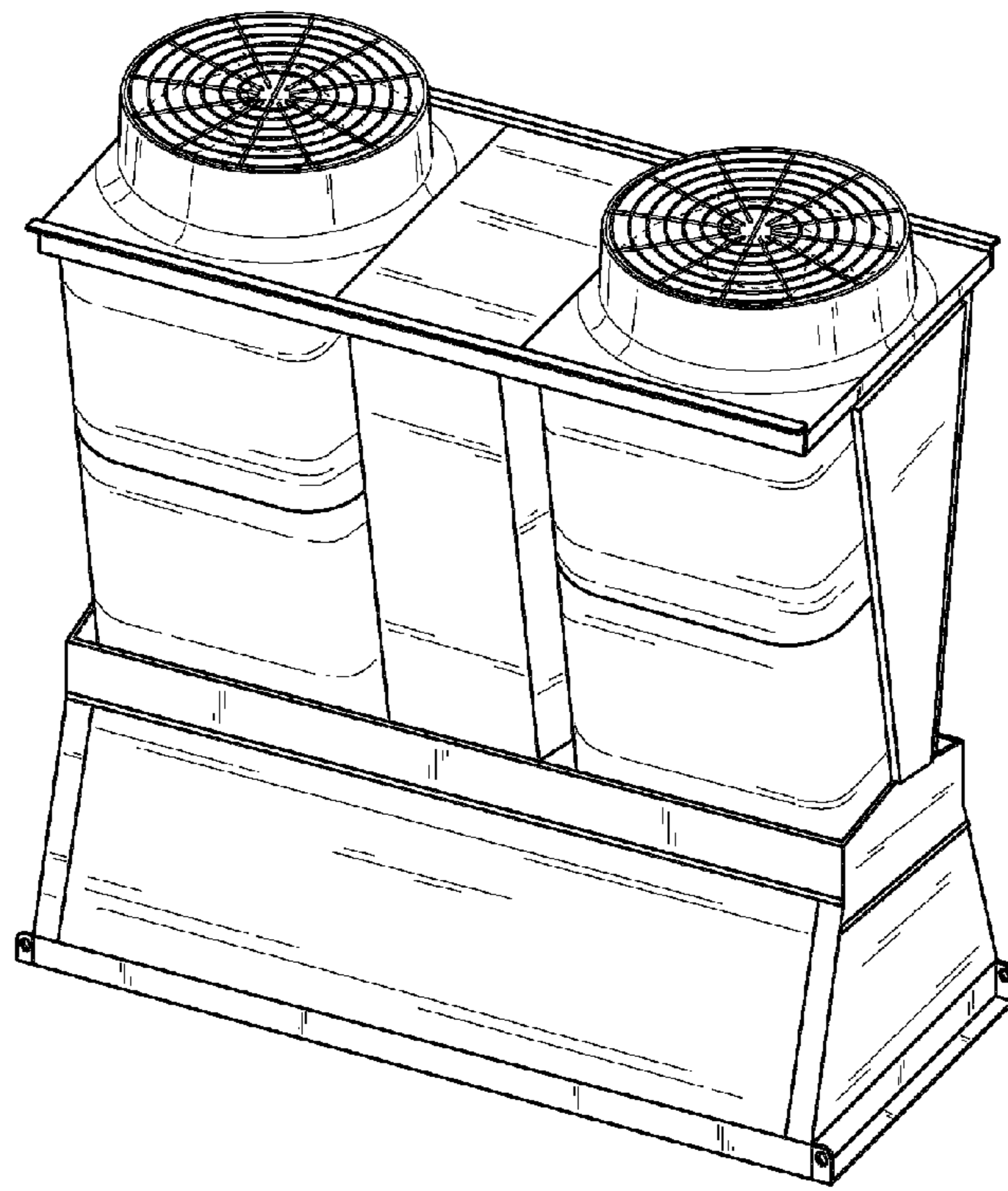


Fig.2

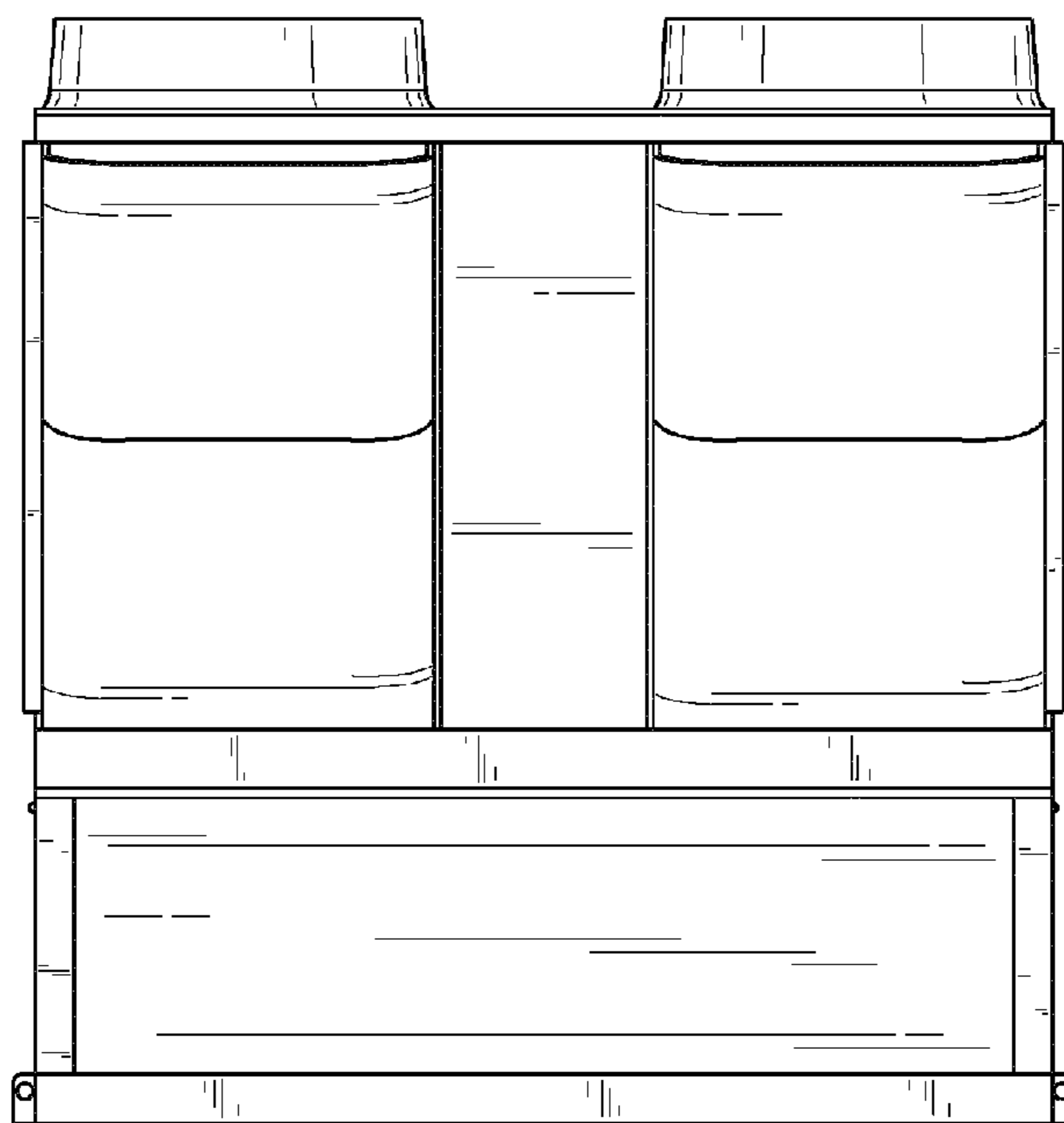


Fig.3

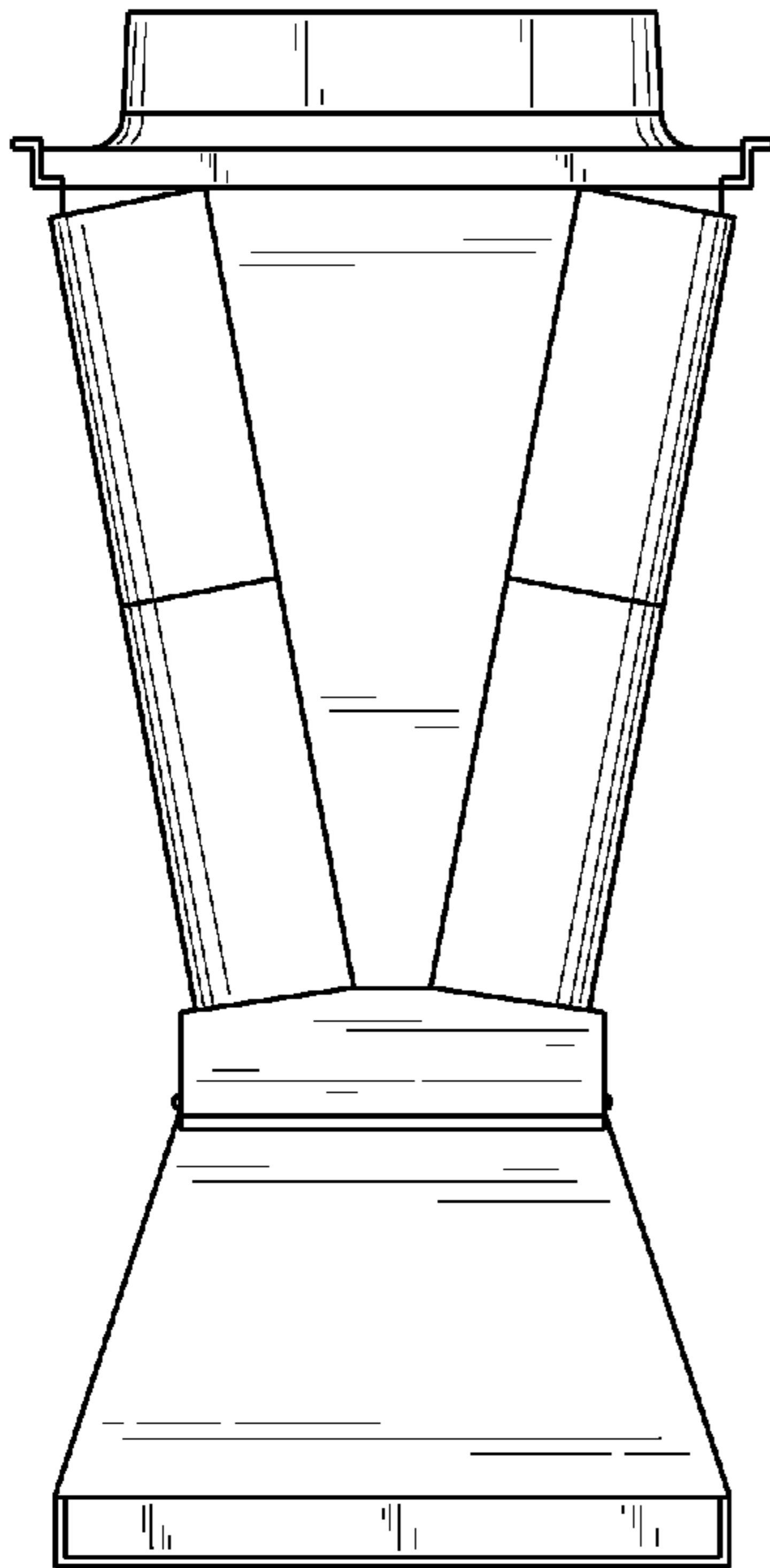


Fig.4

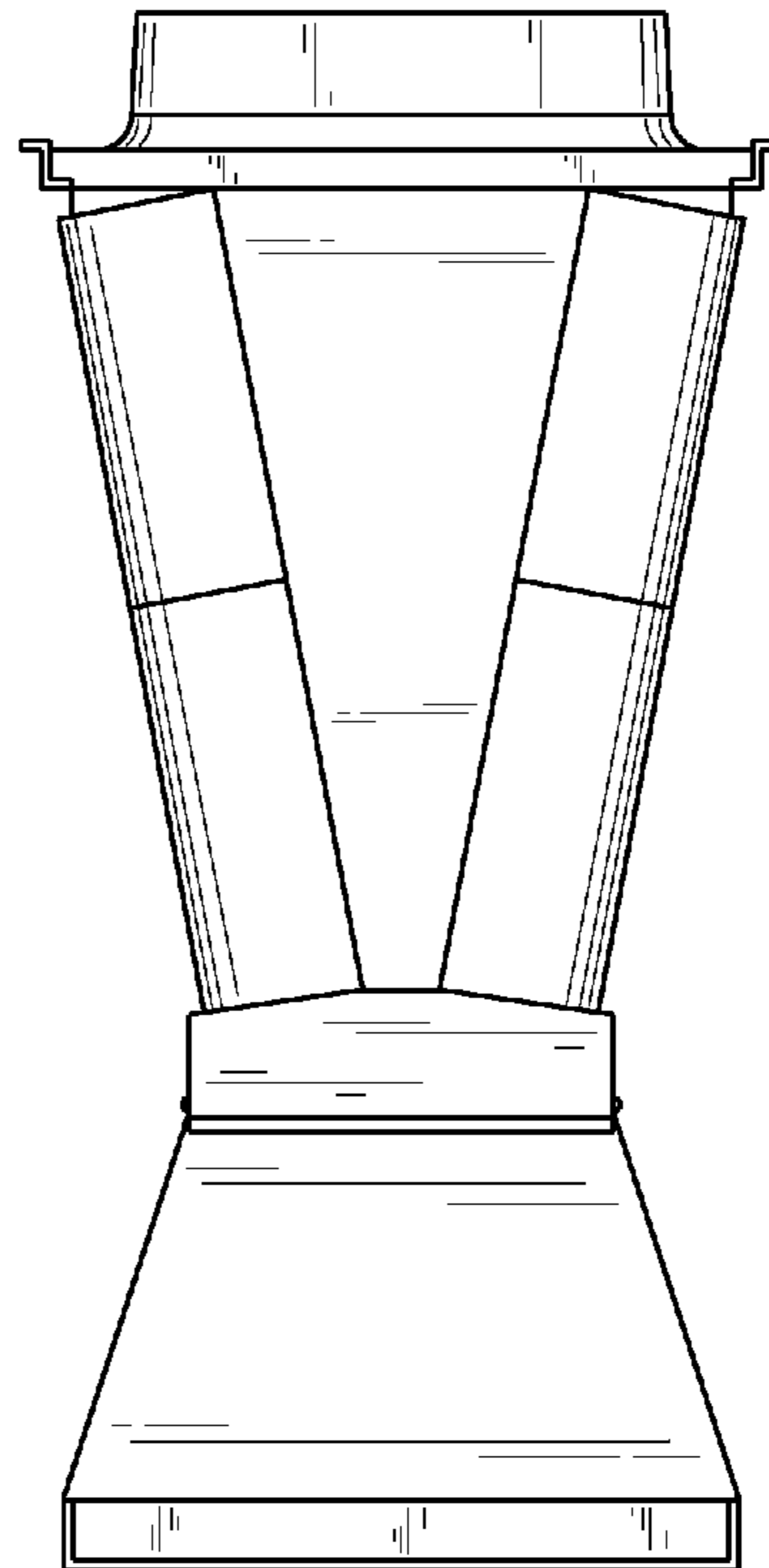


Fig.5

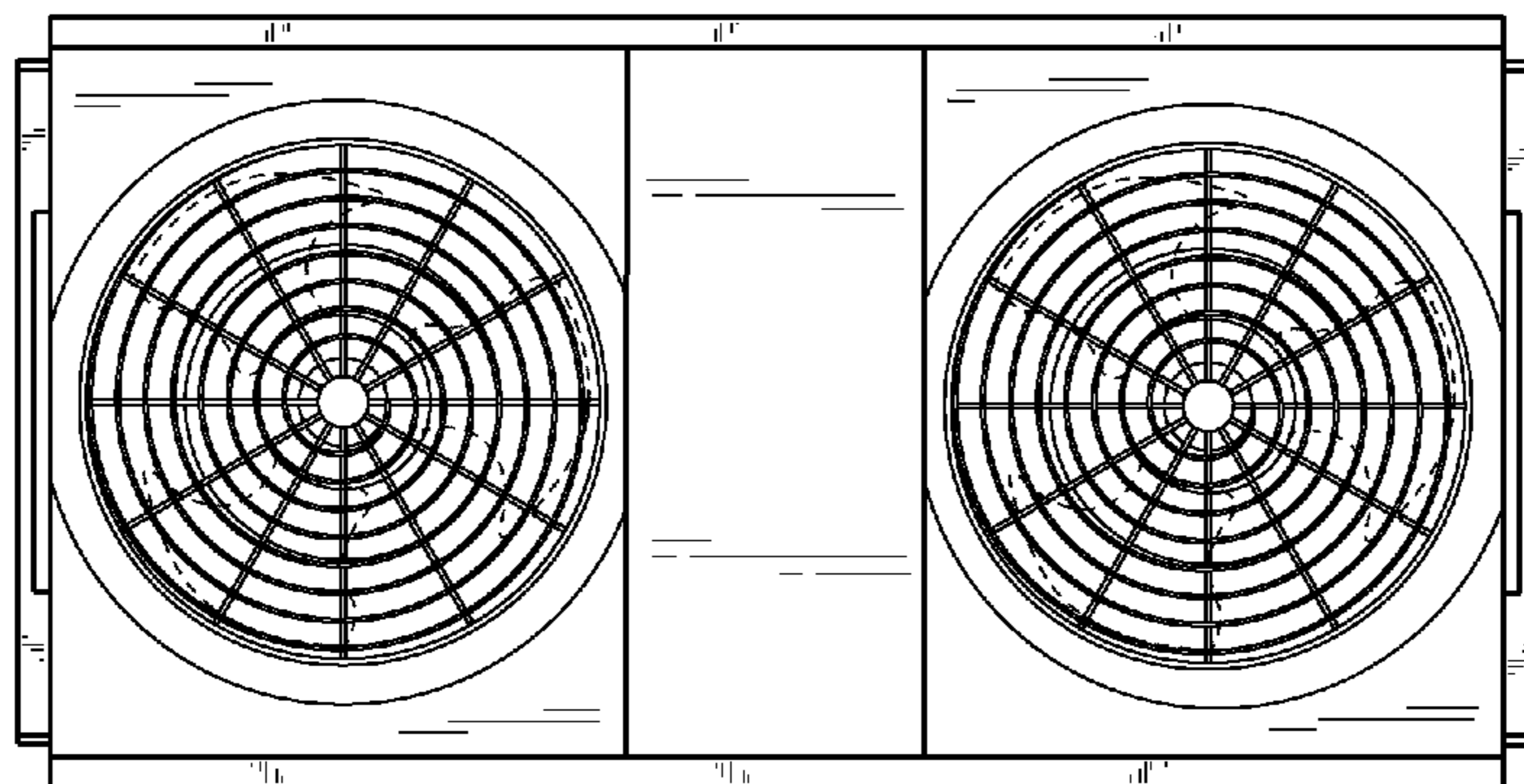


Fig.6

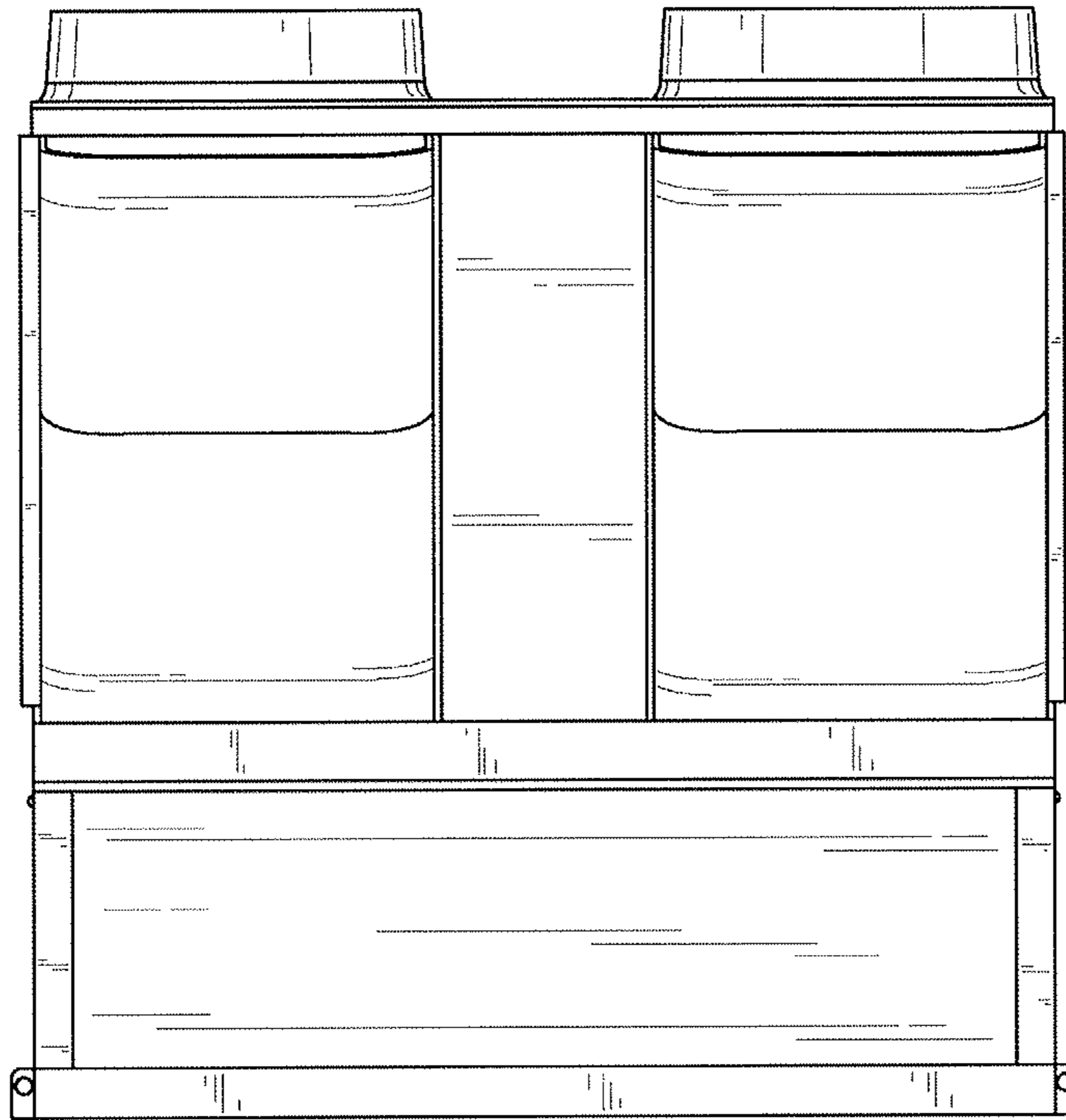


Fig.7

