



US00D693443S

(12) **United States Design Patent**
Puluc et al.

(10) **Patent No.:** **US D693,443 S**

(45) **Date of Patent:** **** Nov. 12, 2013**

(54) **SWINGER GLADHAND**
(75) Inventors: **Oscar A. Puluc**, Downey, CA (US);
Zhimin Guo, Cerritos, CA (US);
Thomas D. Peterson, Covina, CA (US)

(73) Assignee: **R.A. Phillips Industries, Inc.**, Santa Fe Springs, CA (US)

(**) Term: **14 Years**

(21) Appl. No.: **29/384,921**

(22) Filed: **Feb. 4, 2011**

(51) **LOC (9) Cl.** **23-01**

(52) **U.S. Cl.**
USPC **D23/262**

(58) **Field of Classification Search**
USPC D23/262–263; 137/381, 614.04, 615;
280/420–421
See application file for complete search history.

(56) **References Cited**

U.S. PATENT DOCUMENTS

3,554,230 A * 1/1971 Berg et al. 137/614.04
D224,107 S * 7/1972 Hinsdale, III D23/263
4,109,673 A * 8/1978 Horowitz et al. 137/381
4,366,965 A * 1/1983 Rhodes 280/421

5,240,271 A * 8/1993 Hart et al. 280/421
7,021,334 B1 * 4/2006 Helmer 137/615
7,086,659 B2 * 8/2006 Baginski 280/420

* cited by examiner

Primary Examiner — Eric Goodman

(74) *Attorney, Agent, or Firm* — Christie, Parker & Hale, LLP

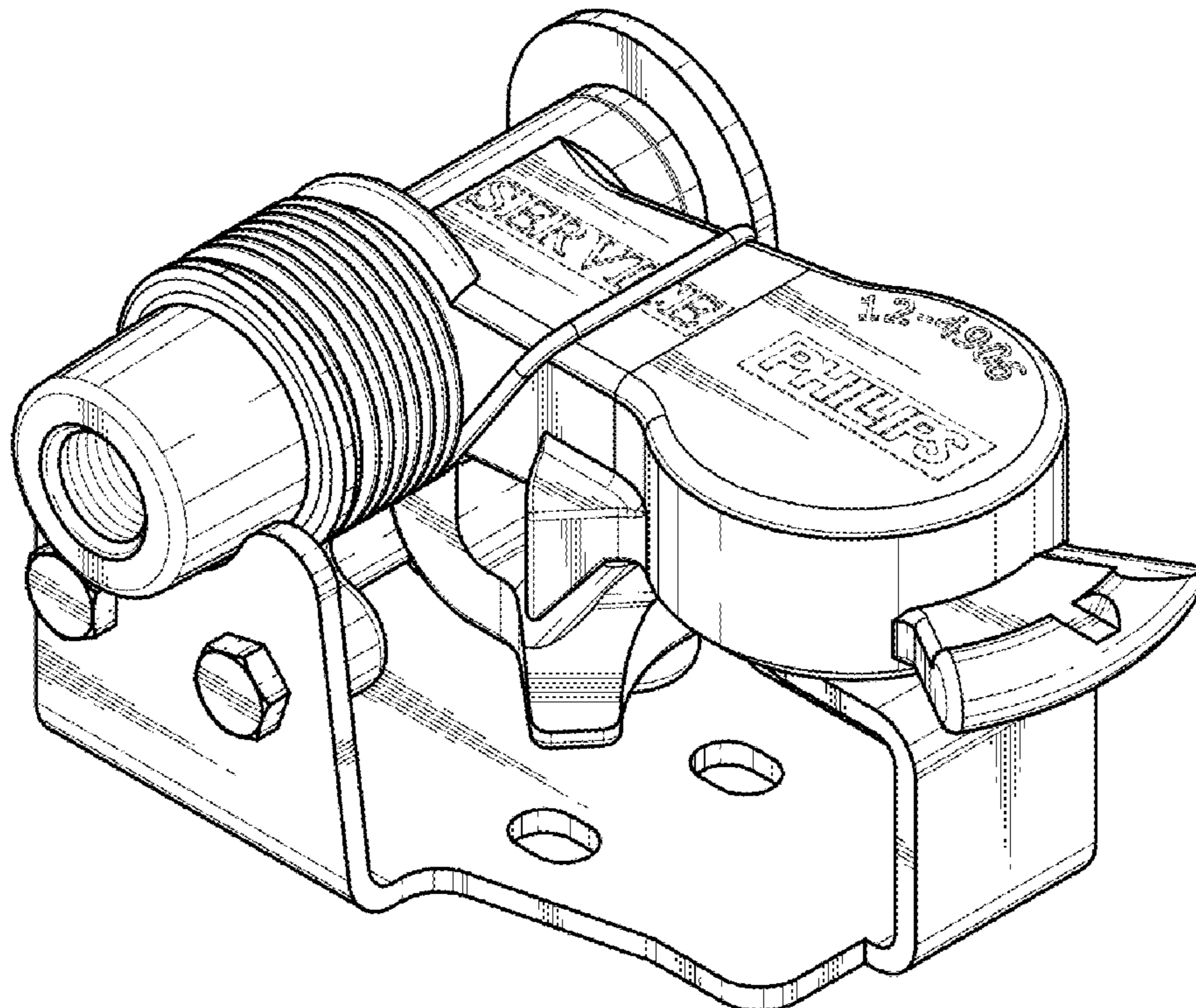
(57) **CLAIM**

The ornamental design for a swinger gladhand, as shown and described.

DESCRIPTION

FIG. 1 is a front left, perspective view of a swinger gladhand; FIG. 2 is a front right, perspective view of the swinger gladhand; FIG. 3 is a front plan view of the swinger gladhand; FIG. 4 is a top plan view of the swinger gladhand; FIG. 5 is a bottom plan view of the swinger gladhand; FIG. 6 is a right elevational view of the swinger gladhand; FIG. 7 is a left elevational view of the swinger gladhand; and, FIG. 8 is a rear elevational view of the swinger gladhand. The broken line showings in the accompanying drawings are for illustrative purposes only and forms no part of the claimed design.

1 Claim, 3 Drawing Sheets



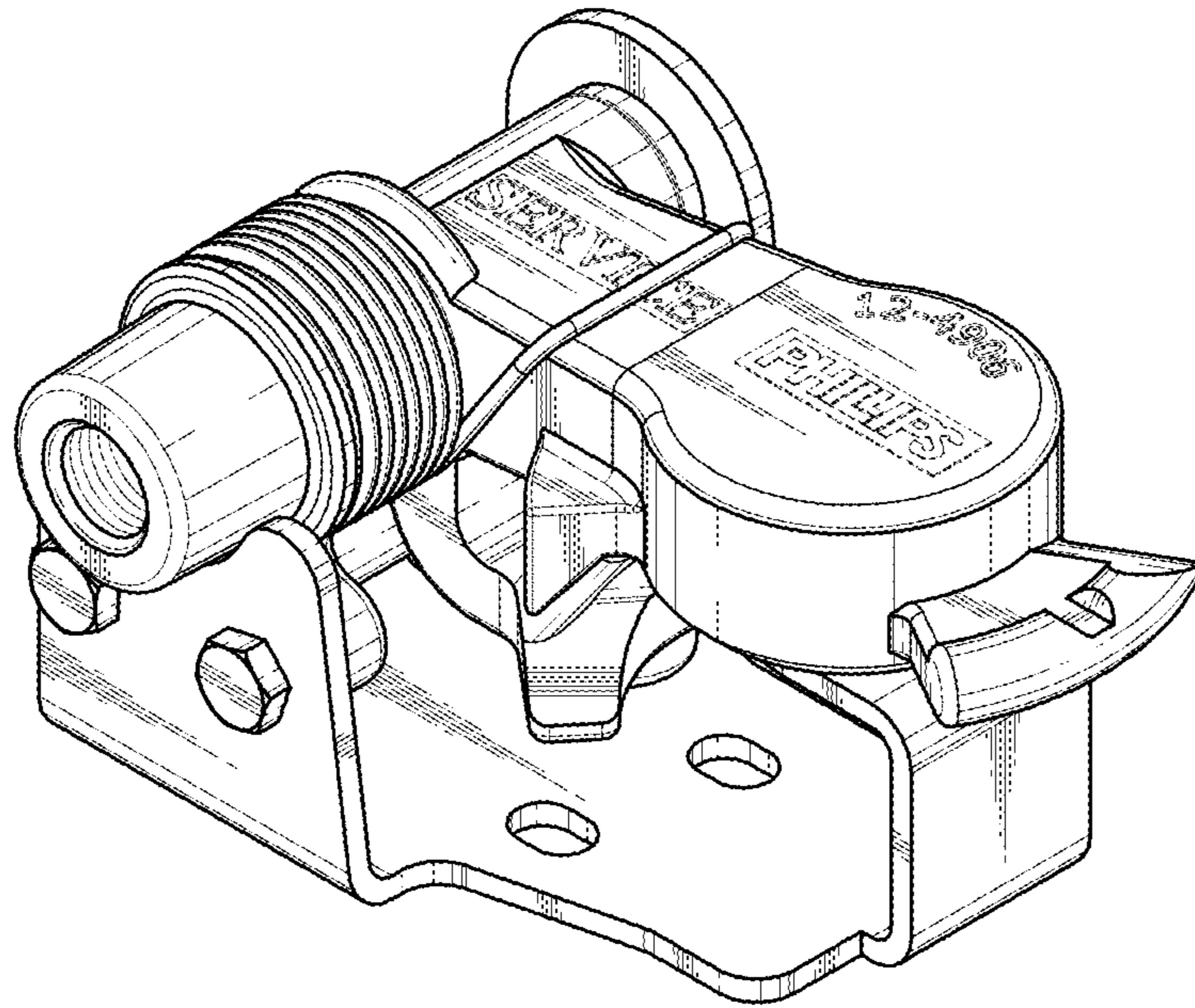


FIG. 1

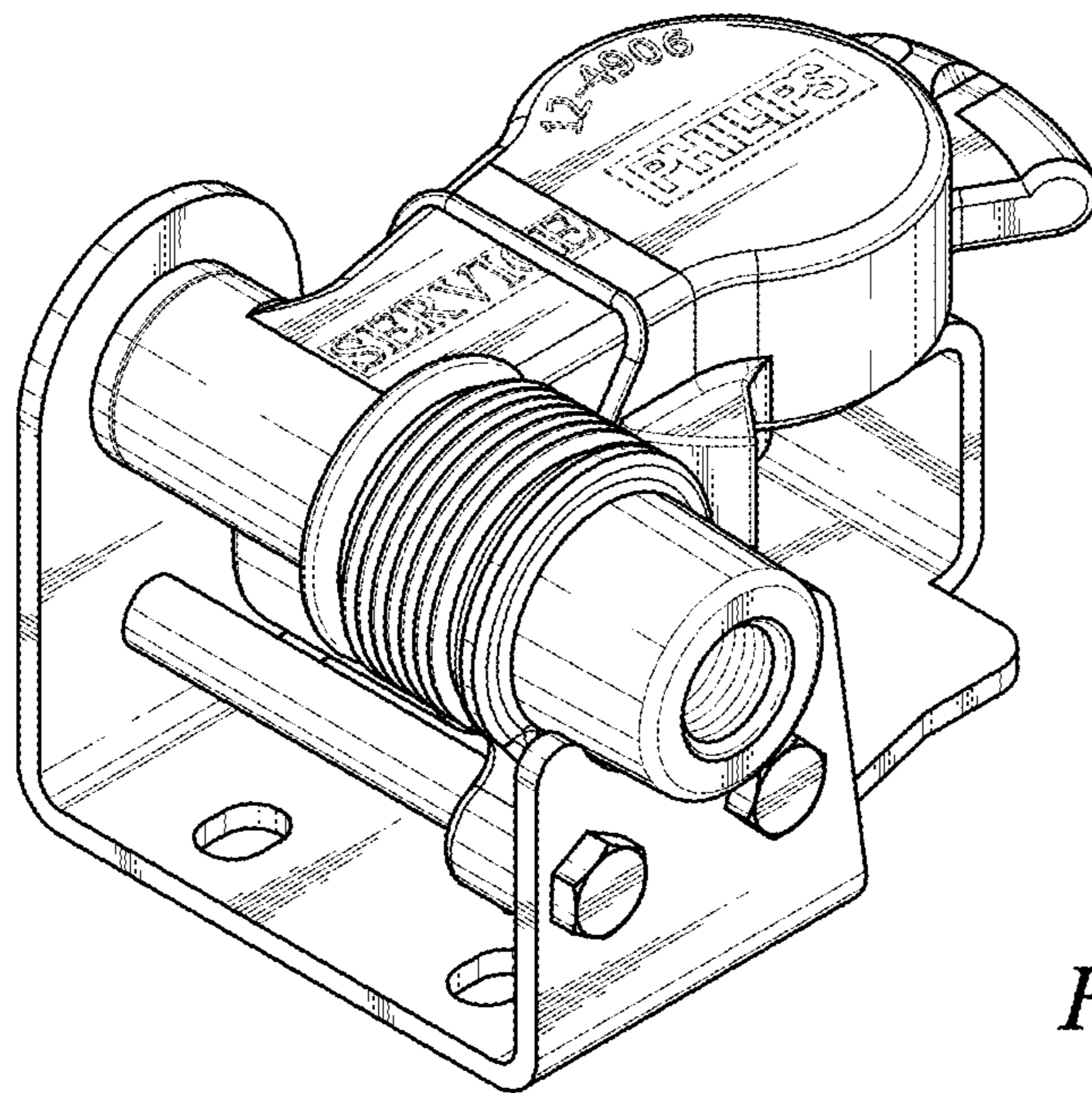


FIG. 2

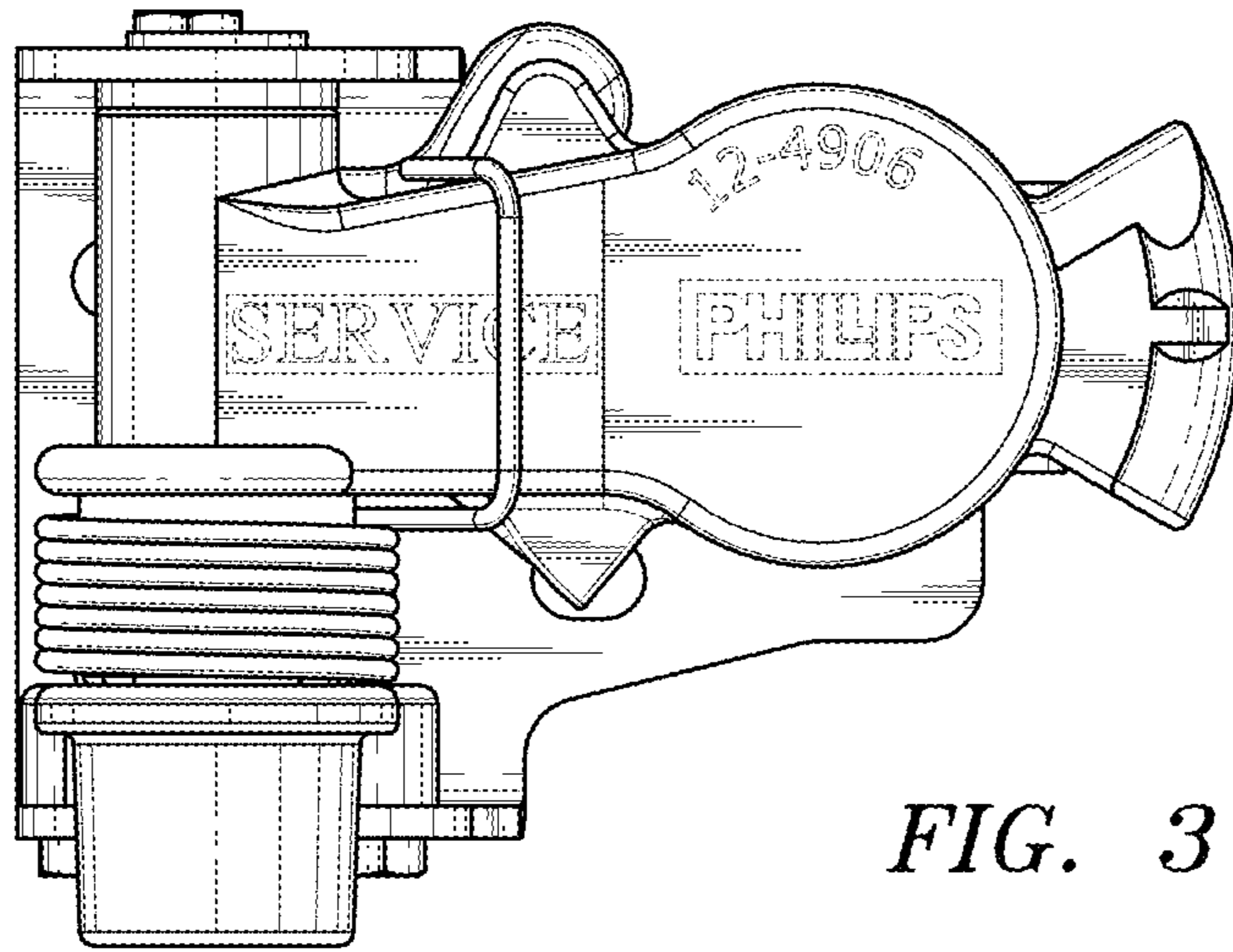


FIG. 3

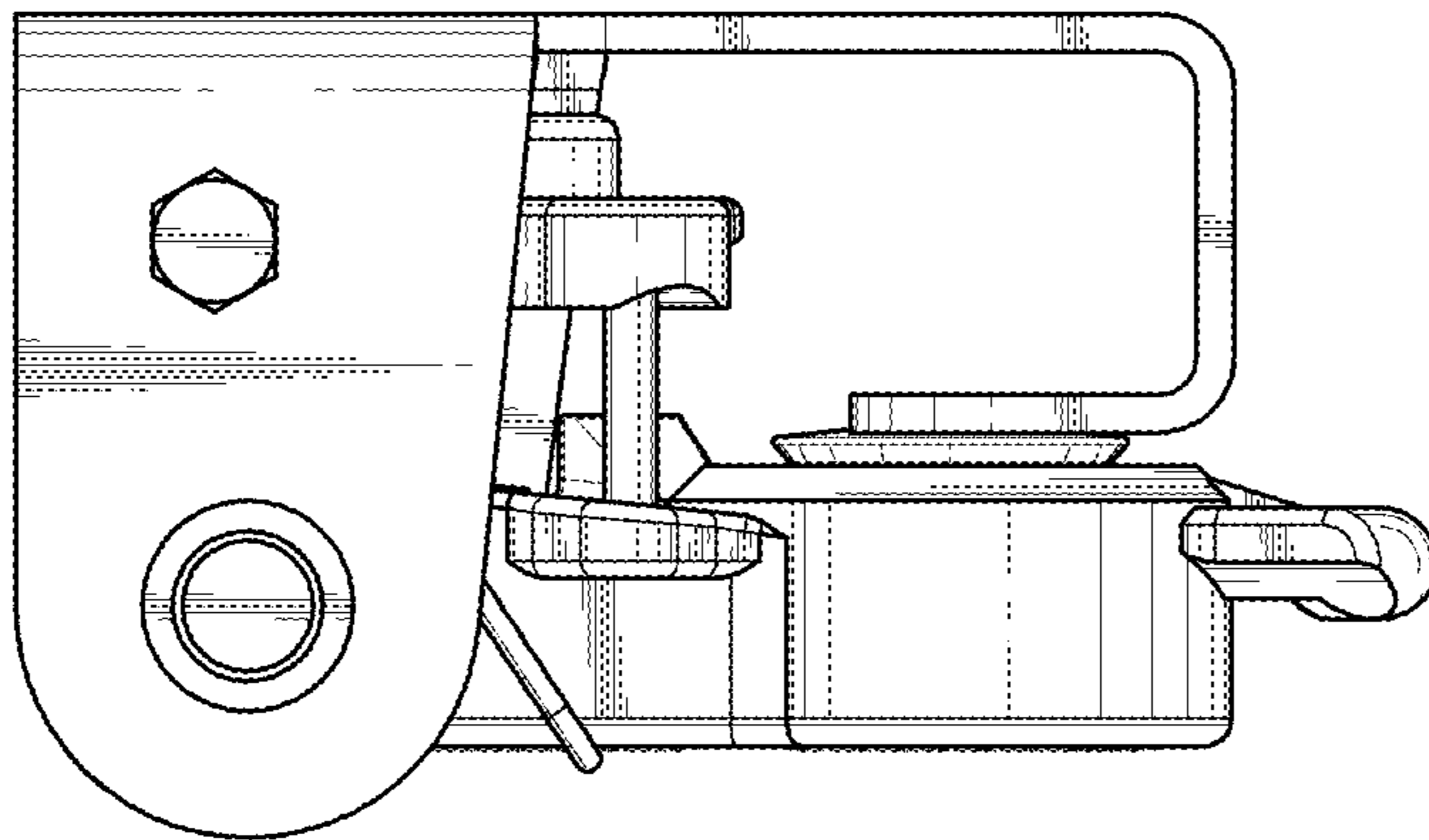


FIG. 4

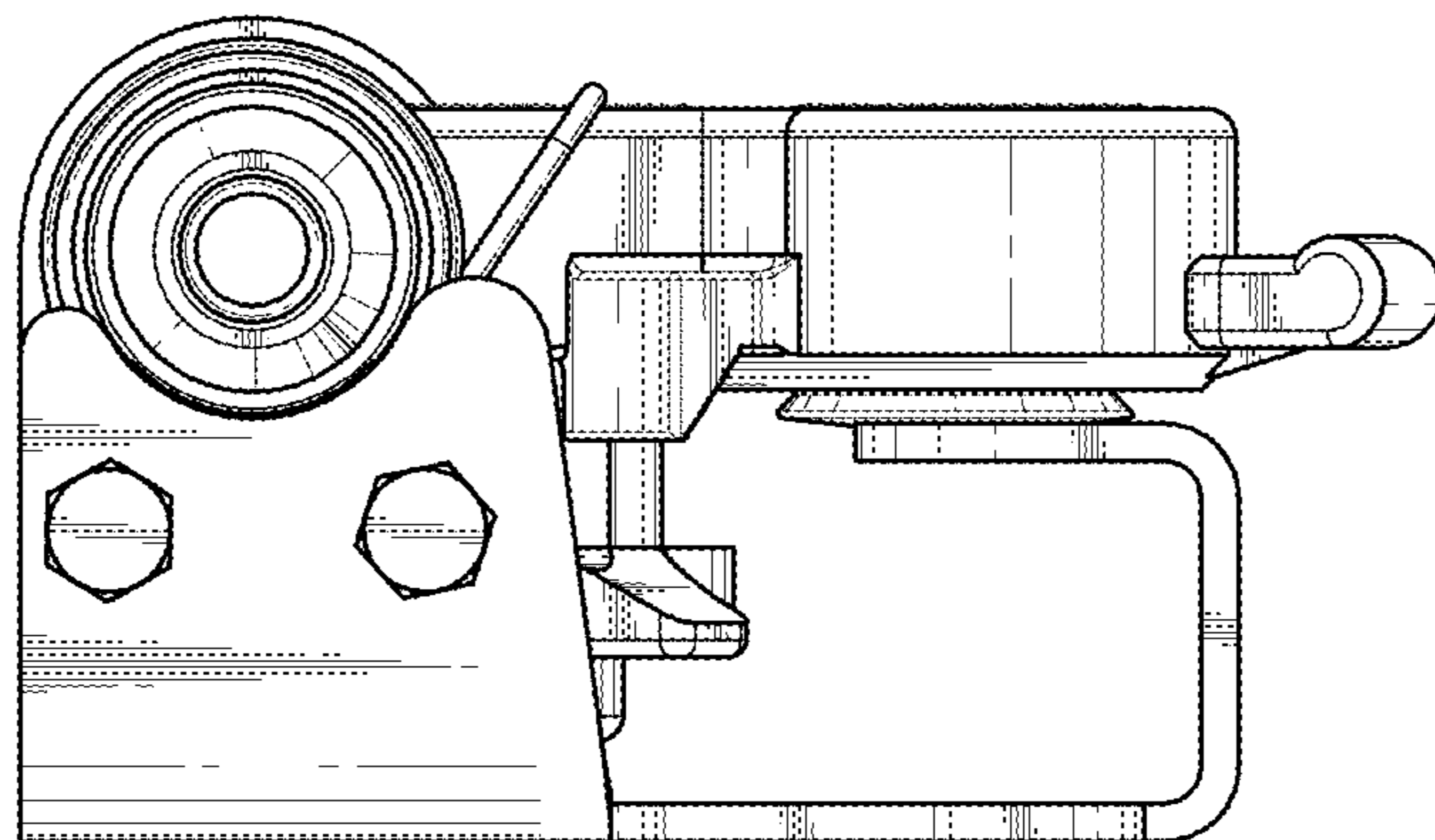


FIG. 5

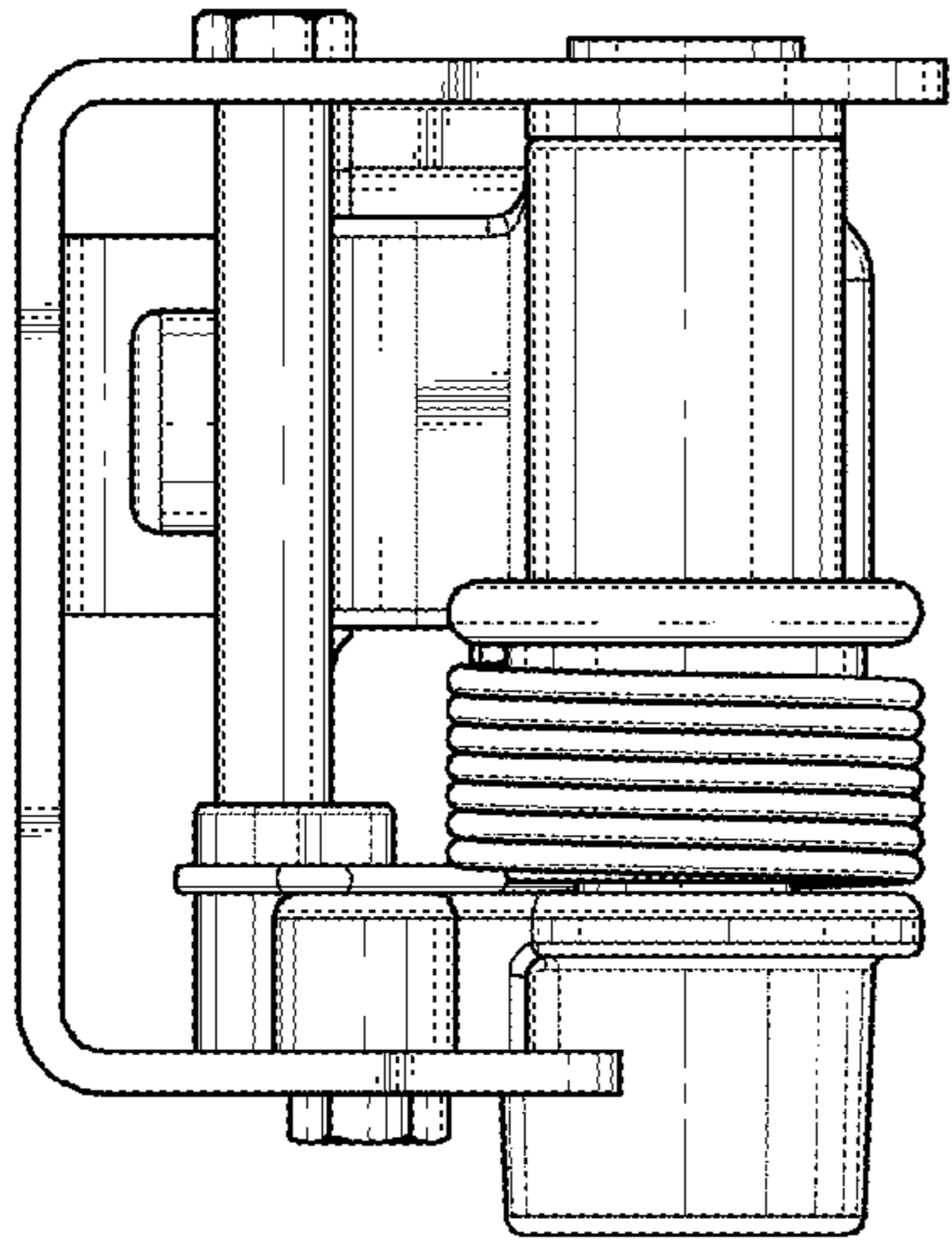


FIG. 6

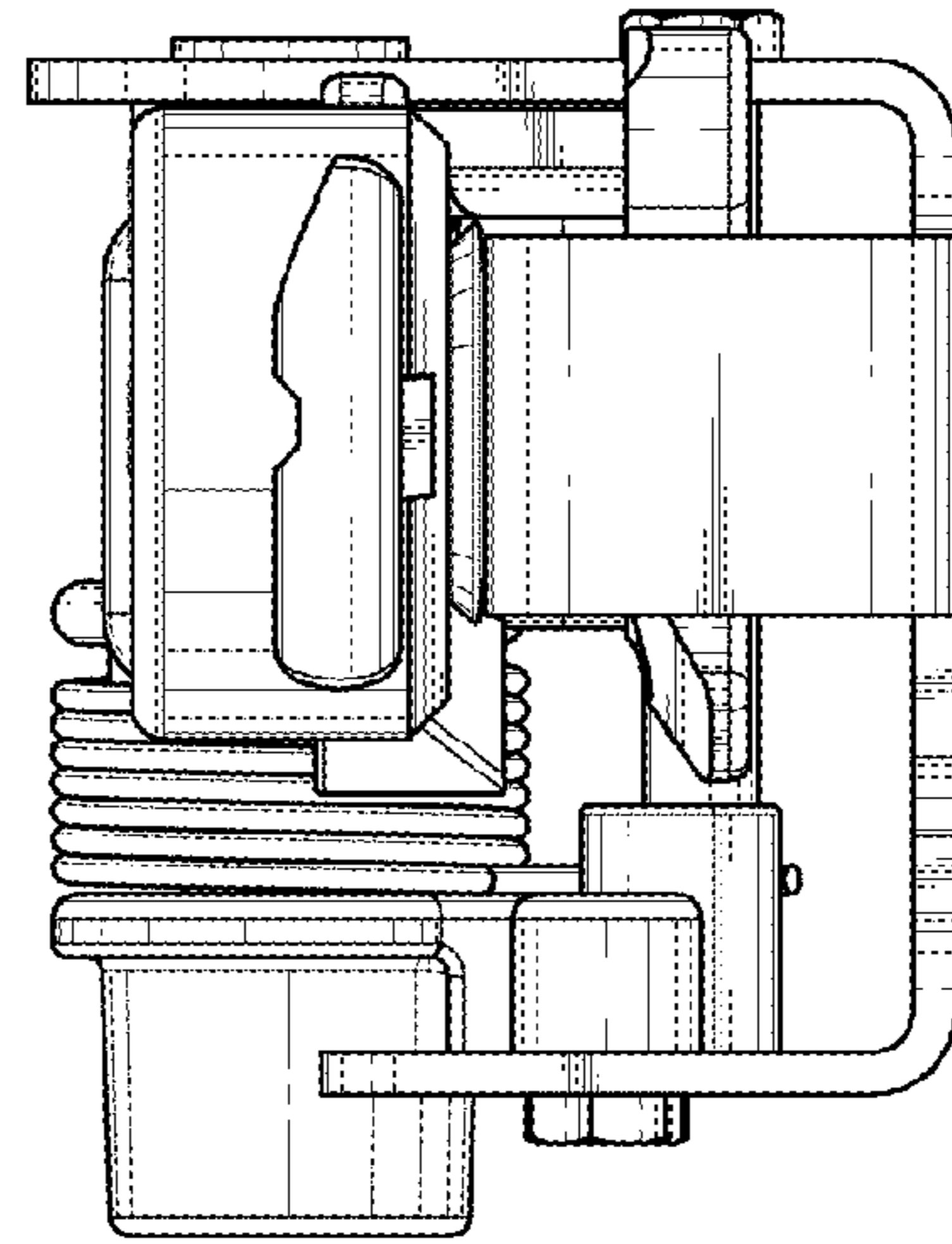


FIG. 7

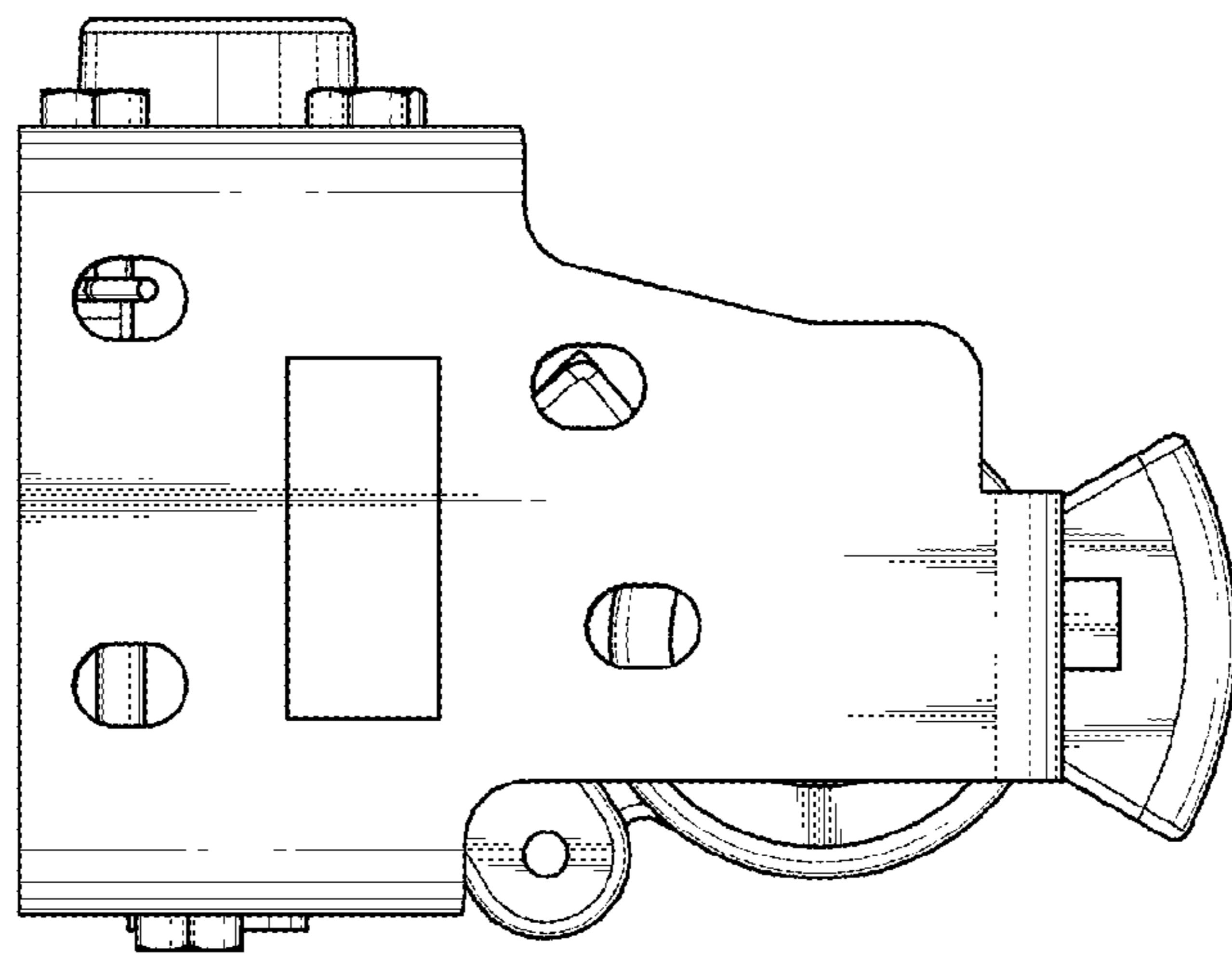


FIG. 8