



US00D693440S

(12) **United States Design Patent**
Lord

(10) **Patent No.:** **US D693,440 S**

(45) **Date of Patent:** **** *Nov. 12, 2013**

(54) **FAUCET**

(75) **Inventor:** **Judd Lord**, Fishers, IN (US)

(73) **Assignee:** **Masco Corporation of Indiana**,
Indianapolis, IN (US)

(*) **Notice:** This patent is subject to a terminal disclaimer.

(**) **Term:** **14 Years**

(21) **Appl. No.:** **29/417,881**

(22) **Filed:** **Apr. 10, 2012**

(51) **LOC (9) Cl.** **23-01**

(52) **U.S. Cl.**
USPC **D23/255**

(58) **Field of Classification Search**
USPC D23/238-243, 255, 257; 4/675-678;
137/801

See application file for complete search history.

(56) **References Cited**

U.S. PATENT DOCUMENTS

D531,699 S * 11/2006 Haug et al. D23/238
D576,710 S * 9/2008 Fritz D23/238

D577,104 S * 9/2008 Latorraca D23/238
D585,524 S * 1/2009 Schoenherr et al. D23/238
D594,532 S * 6/2009 Schoenherr et al. D23/238
D635,646 S * 4/2011 Sedwick D23/238
D636,061 S * 4/2011 Kulig D23/238

* cited by examiner

Primary Examiner — Robert Delehanty

(74) *Attorney, Agent, or Firm* — Edgar A. Zarins; Nirav D. Parikh

(57) **CLAIM**

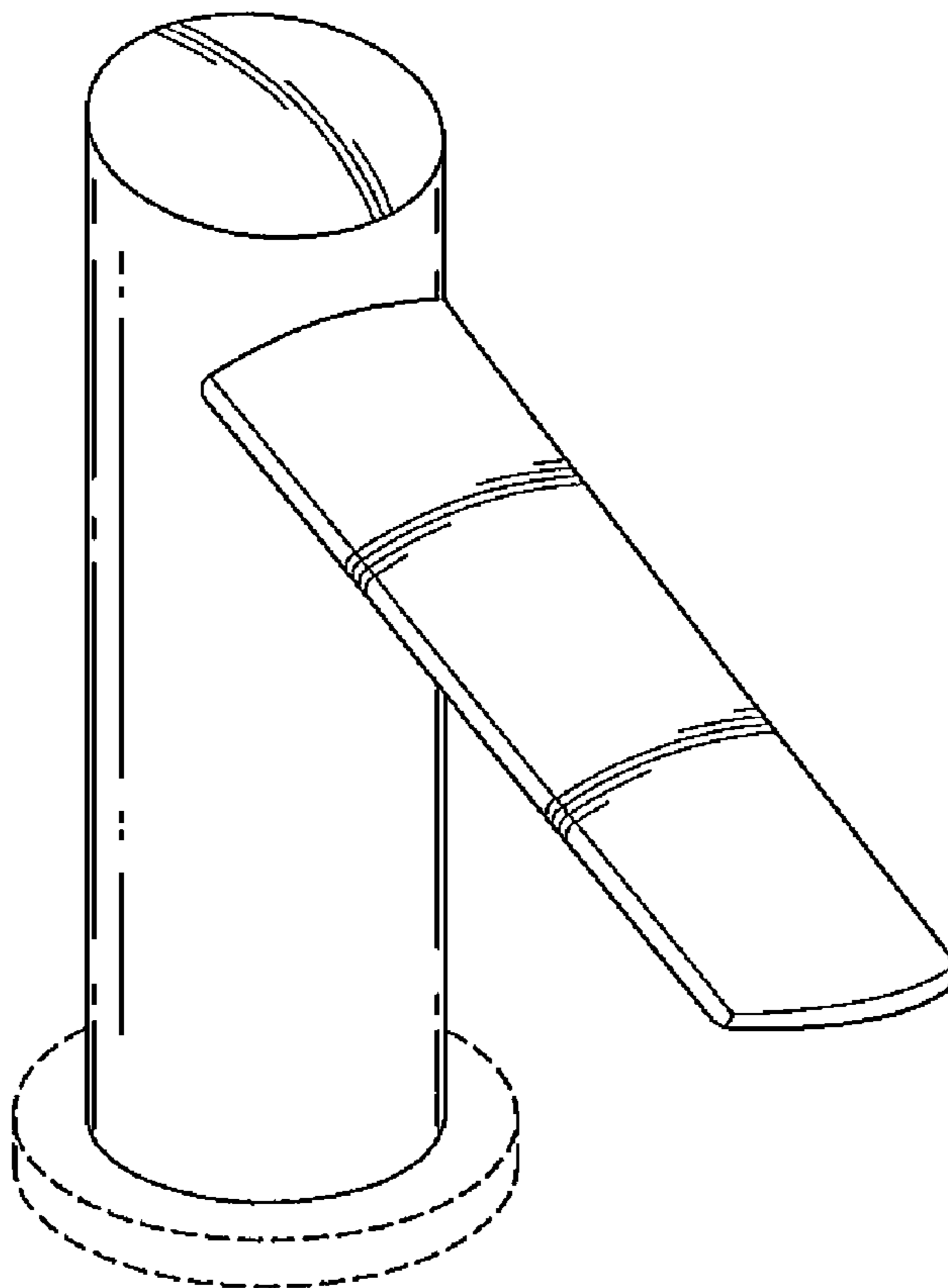
The ornamental design for a faucet, as shown and described.

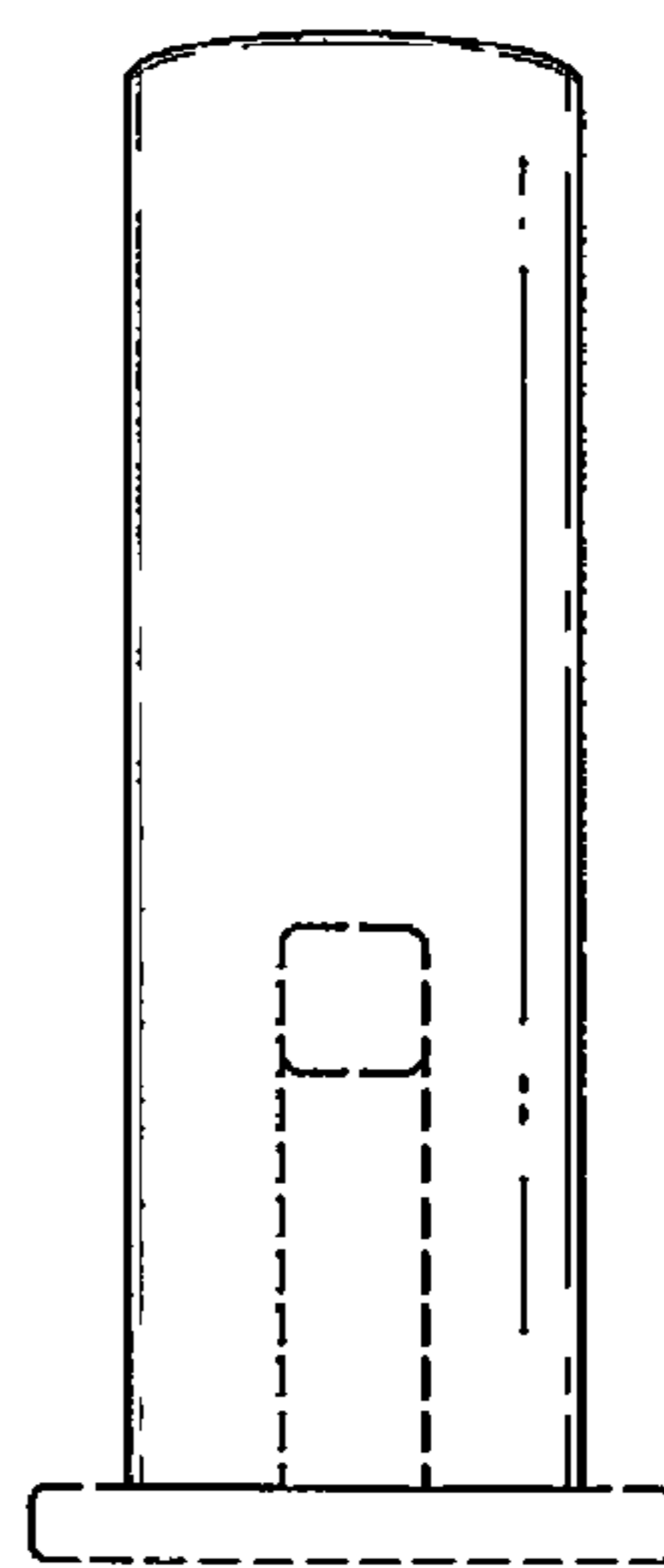
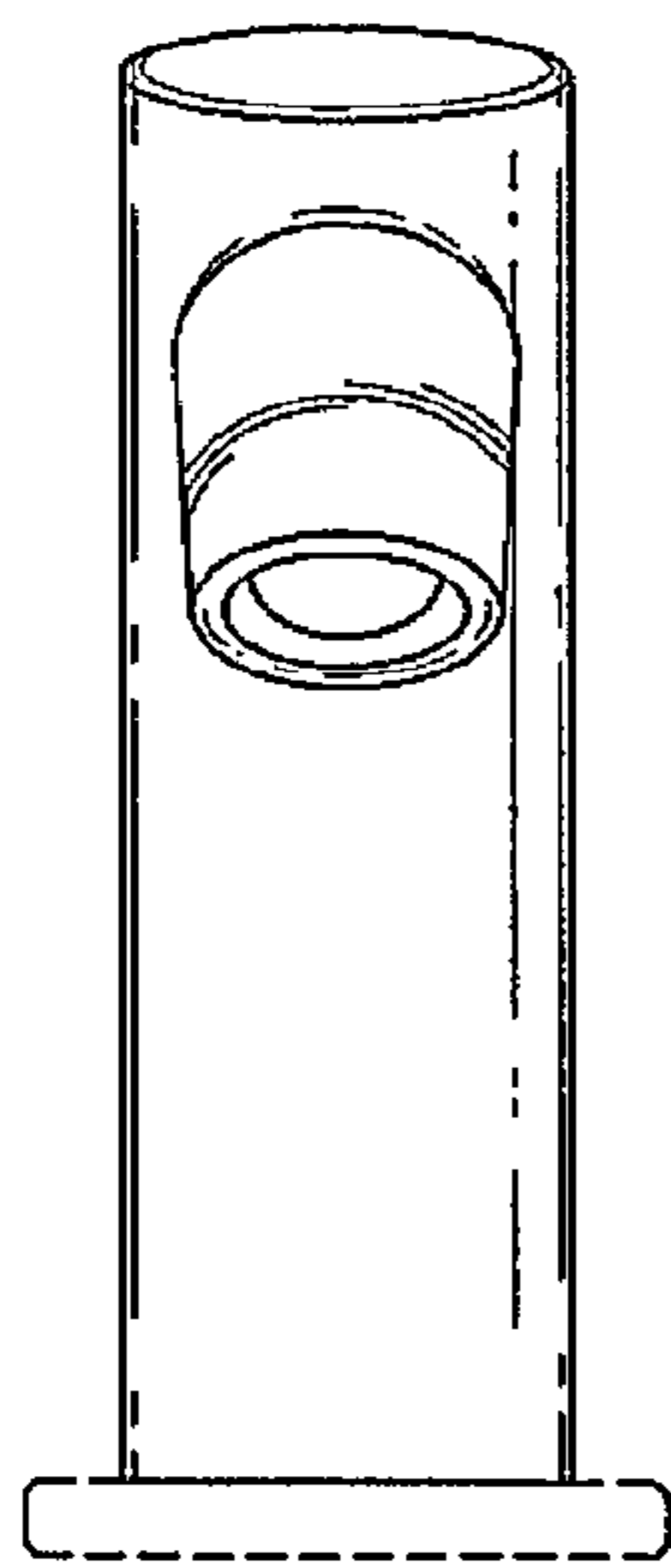
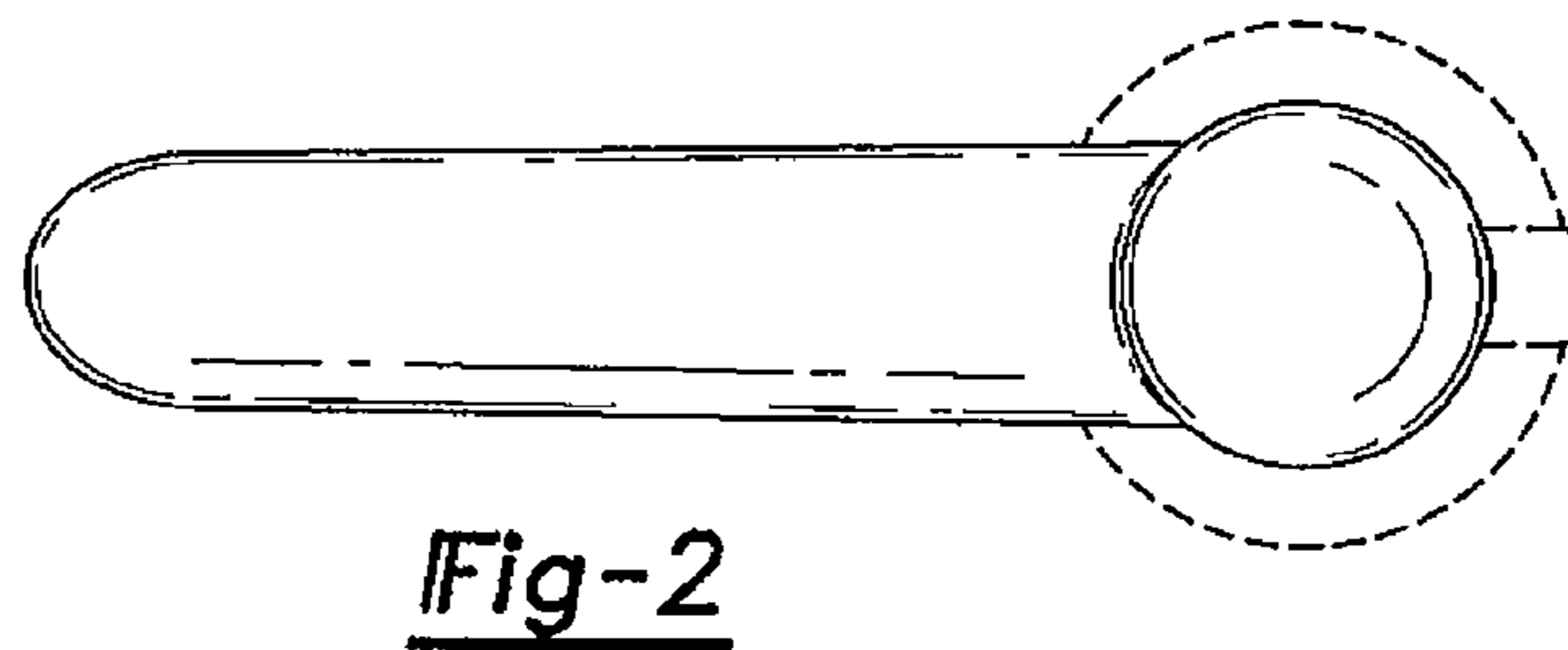
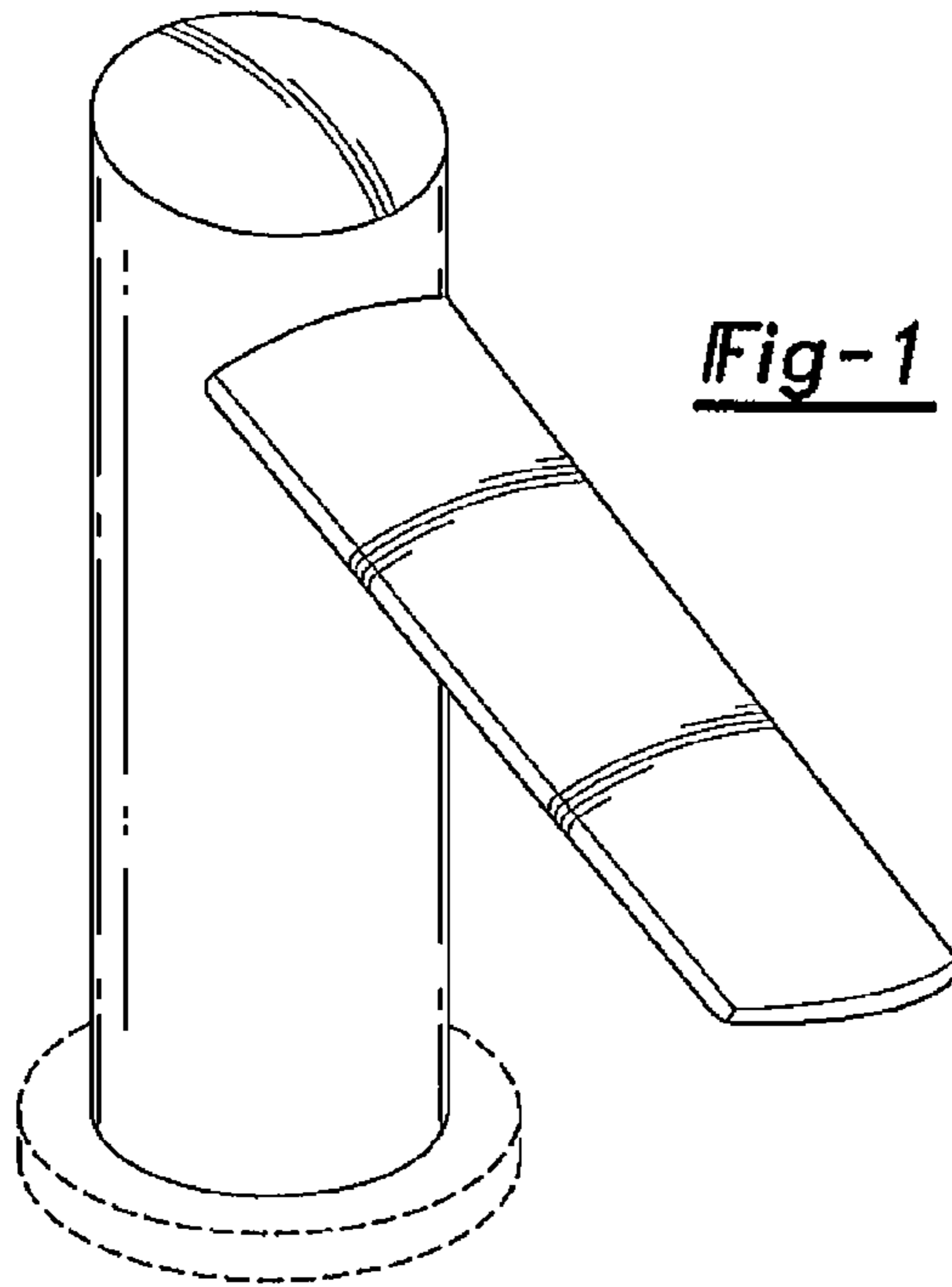
DESCRIPTION

FIG. 1 is a perspective view of a faucet showing my new design;
FIG. 2 is a top plan view thereof;
FIG. 3 is a front elevational view thereof;
FIG. 4 is a rear view thereof;
FIG. 5 is a right side view thereof;
FIG. 6 is a left side view thereof; and,
FIG. 7 is a bottom view thereof.

The broken line showing portions of the faucet is included for the purpose of illustrating a portion of the faucet that forms no part of the claimed design.

1 Claim, 2 Drawing Sheets





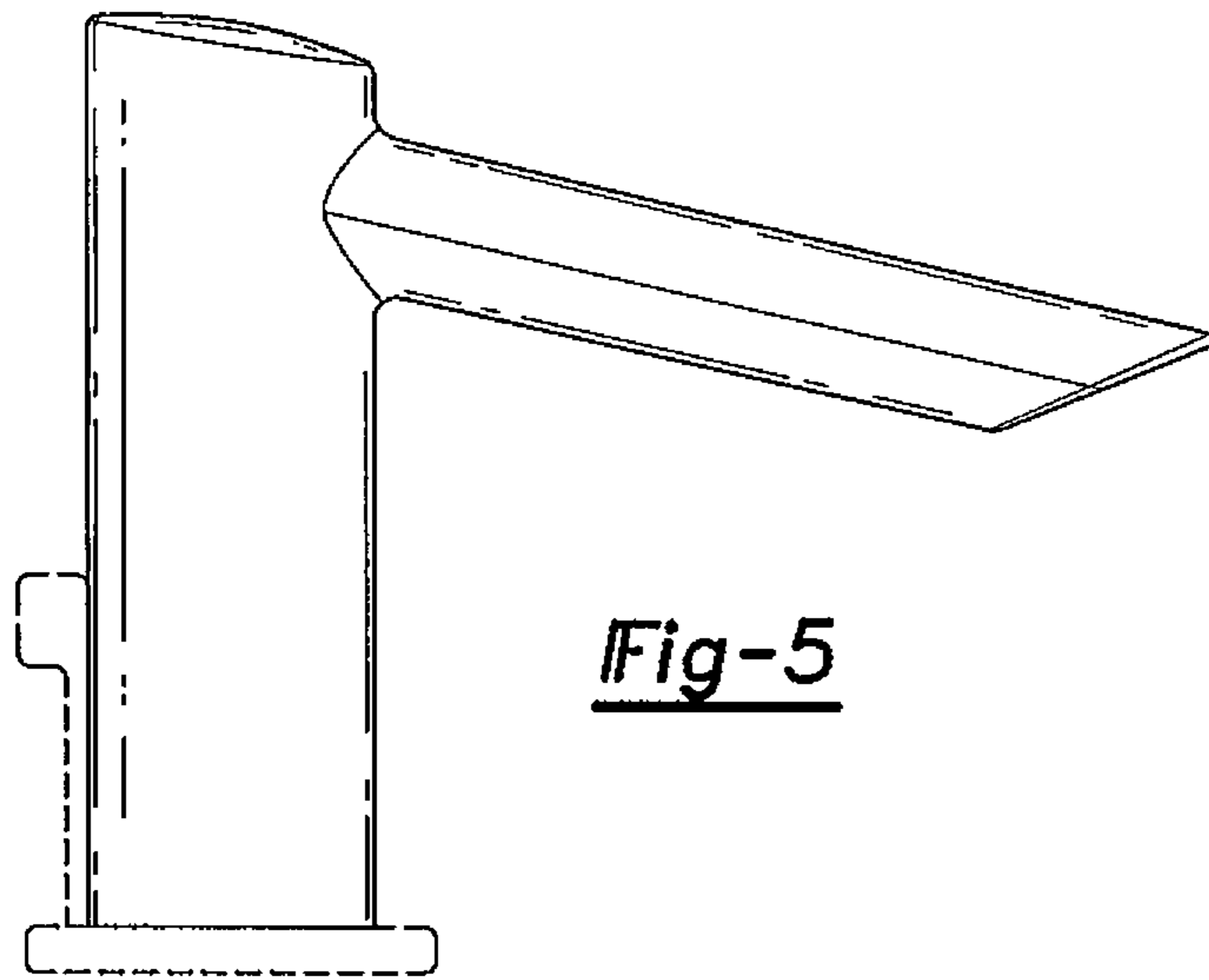


Fig-5

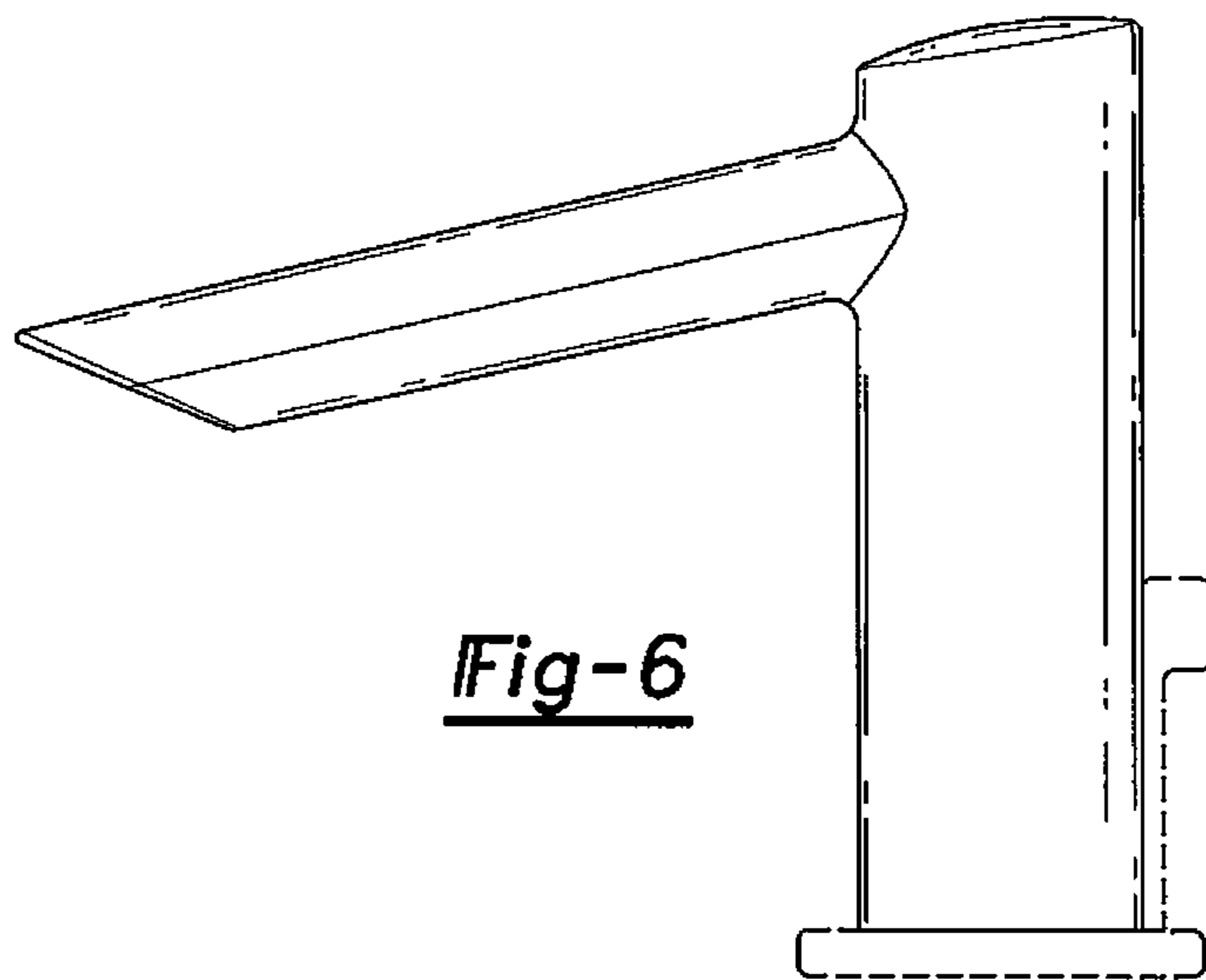


Fig-6

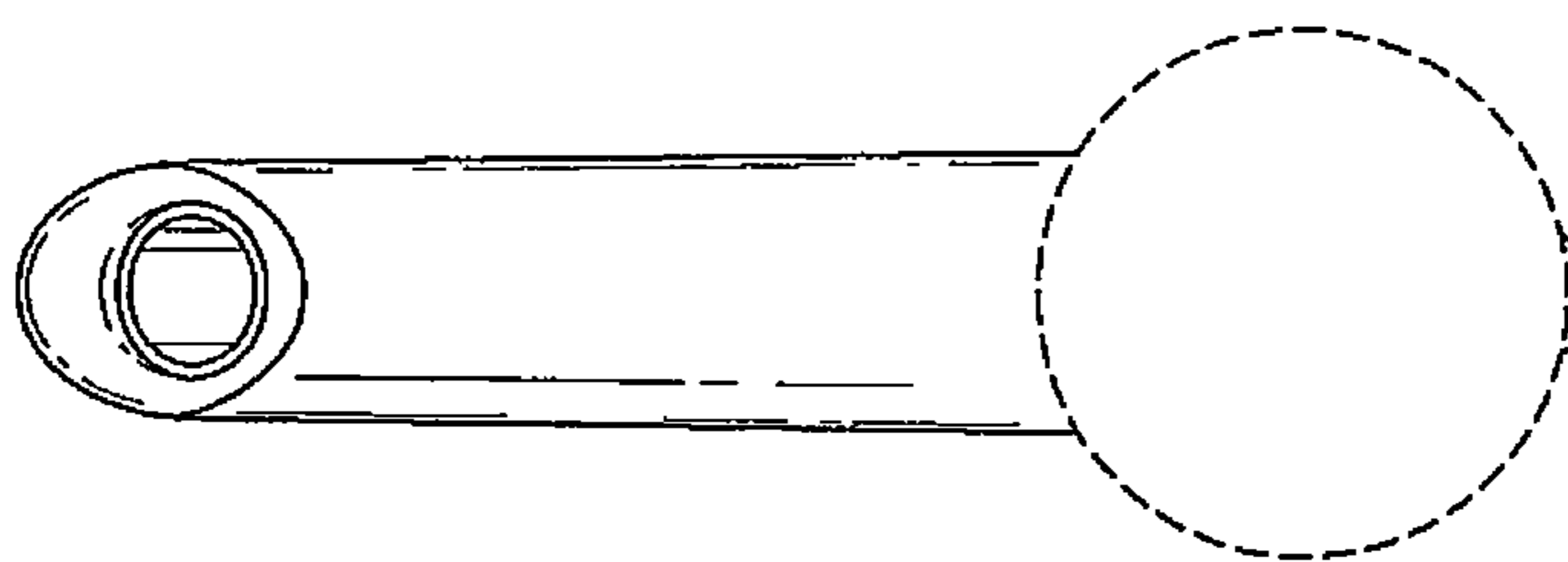


Fig-7