



US00D693439S

(12) **United States Design Patent**
Shieh

(10) **Patent No.:** **US D693,439 S**

(45) **Date of Patent:** **** Nov. 12, 2013**

(54) **SHOWER FAUCET**

(71) Applicant: **Ming-Dang Shieh**, Chang Hua Hsien
(TW)

(72) Inventor: **Ming-Dang Shieh**, Chang Hua Hsien
(TW)

(73) Assignee: **Horng Lai Industrial Co., Ltd.**, Chang
Hua Hsien (TW)

(**) Term: **14 Years**

(21) Appl. No.: **29/445,177**

(22) Filed: **Feb. 8, 2013**

(51) **LOC (9) Cl.** **23-01**

(52) **U.S. Cl.**
USPC **D23/241**

(58) **Field of Classification Search**
USPC D23/238, 241-243, 250, 255, 257, 252;
4/675-678; 137/801

See application file for complete search history.

(56) **References Cited**

U.S. PATENT DOCUMENTS

D235,099 S * 5/1975 Doman D23/257
D526,053 S * 8/2006 Schaffeld et al. D23/257

D540,918 S * 4/2007 Haug et al. D23/241
D567,910 S * 4/2008 Shieh D23/241
D620,560 S * 7/2010 Shieh D23/241
D680,196 S * 4/2013 Kwok D23/255

* cited by examiner

Primary Examiner — Robert Delehanty

(74) *Attorney, Agent, or Firm* — Alan Kamrath; Kamrath IP
Lawfirm, P.A.

(57) **CLAIM**

The ornamental design for a shower faucet, as shown and
described.

DESCRIPTION

FIG. 1 is a perspective view of a shower faucet showing my
design;

FIG. 2 is a front elevational view thereof;

FIG. 3 is a rear elevational view thereof;

FIG. 4 is a left side elevational view thereof;

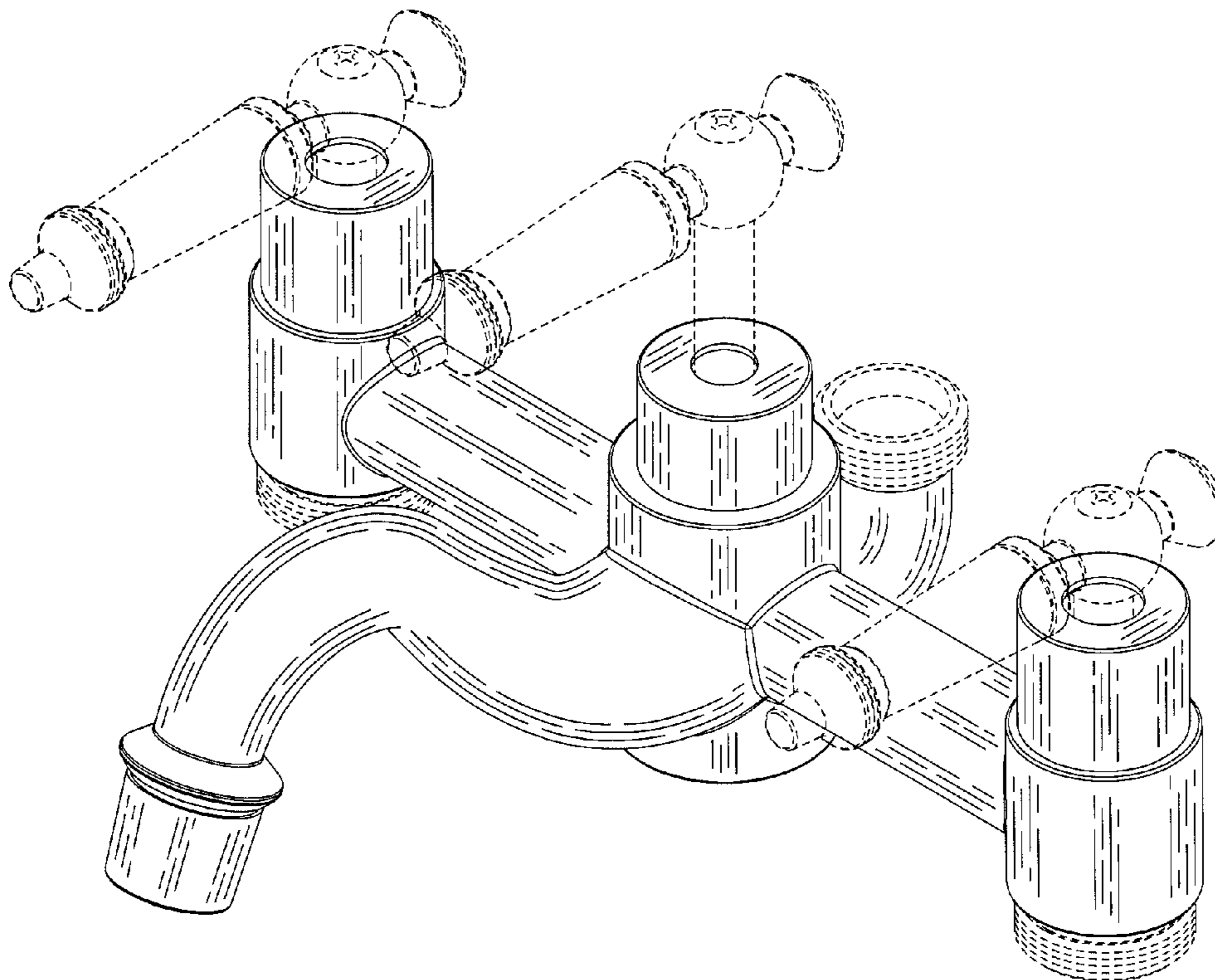
FIG. 5 is a right side elevational view thereof;

FIG. 6 is a top plan view thereof; and,

FIG. 7 is a bottom plan view thereof.

The broken lines shown in the drawings are included for the
purpose of illustrating a portion of the shower faucet that
forms no part of the claimed design.

1 Claim, 7 Drawing Sheets



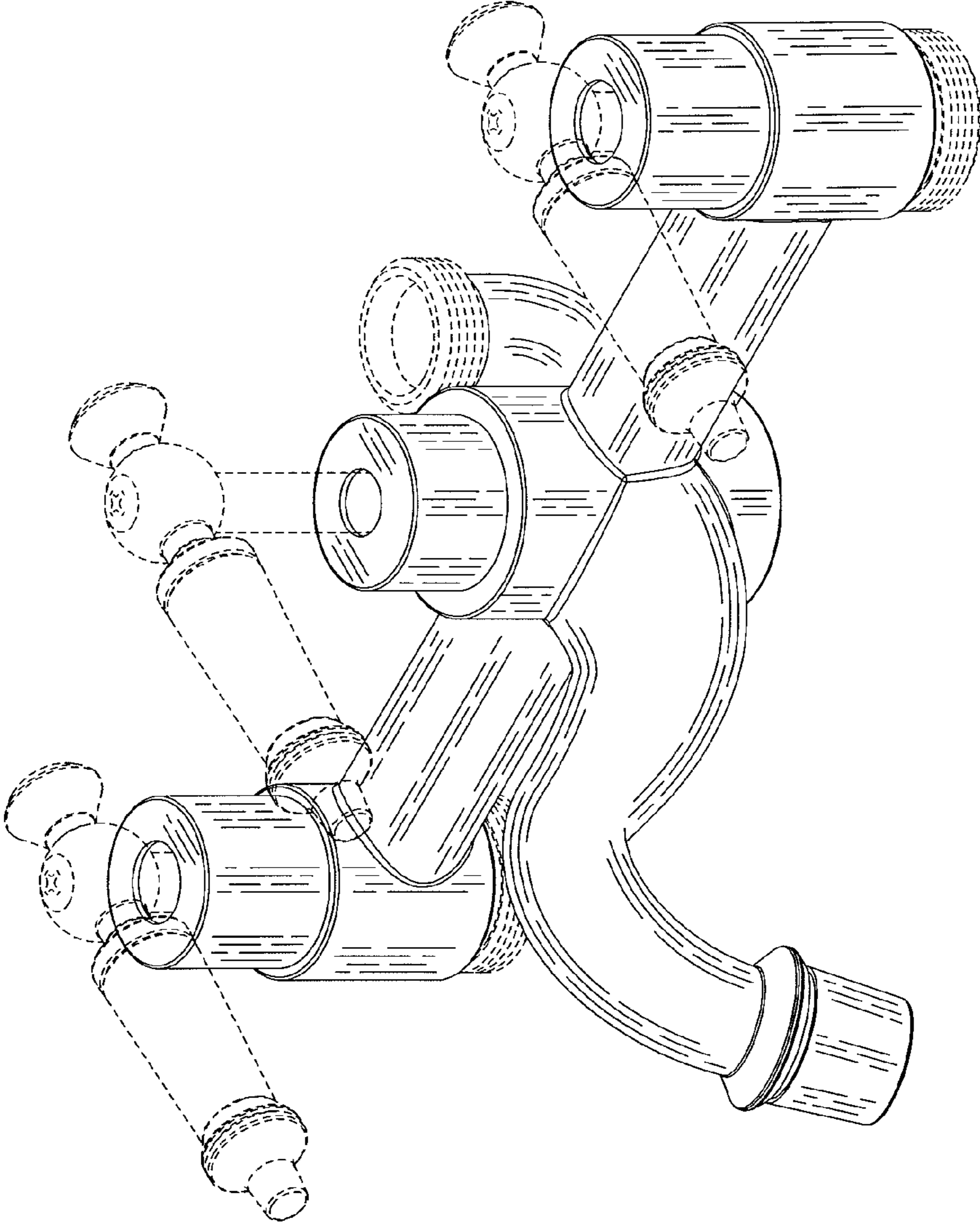


FIG. 1

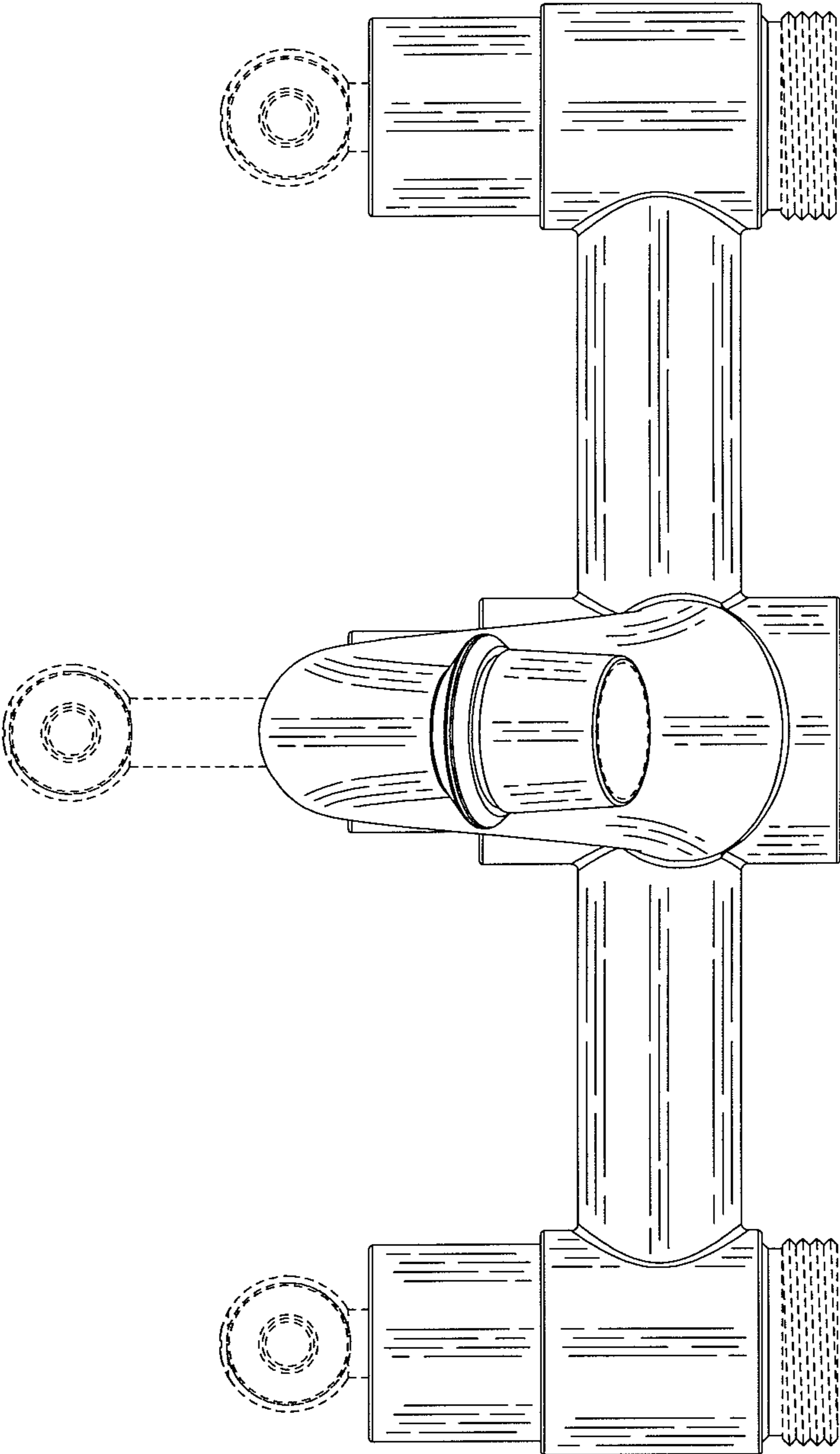


FIG. 2

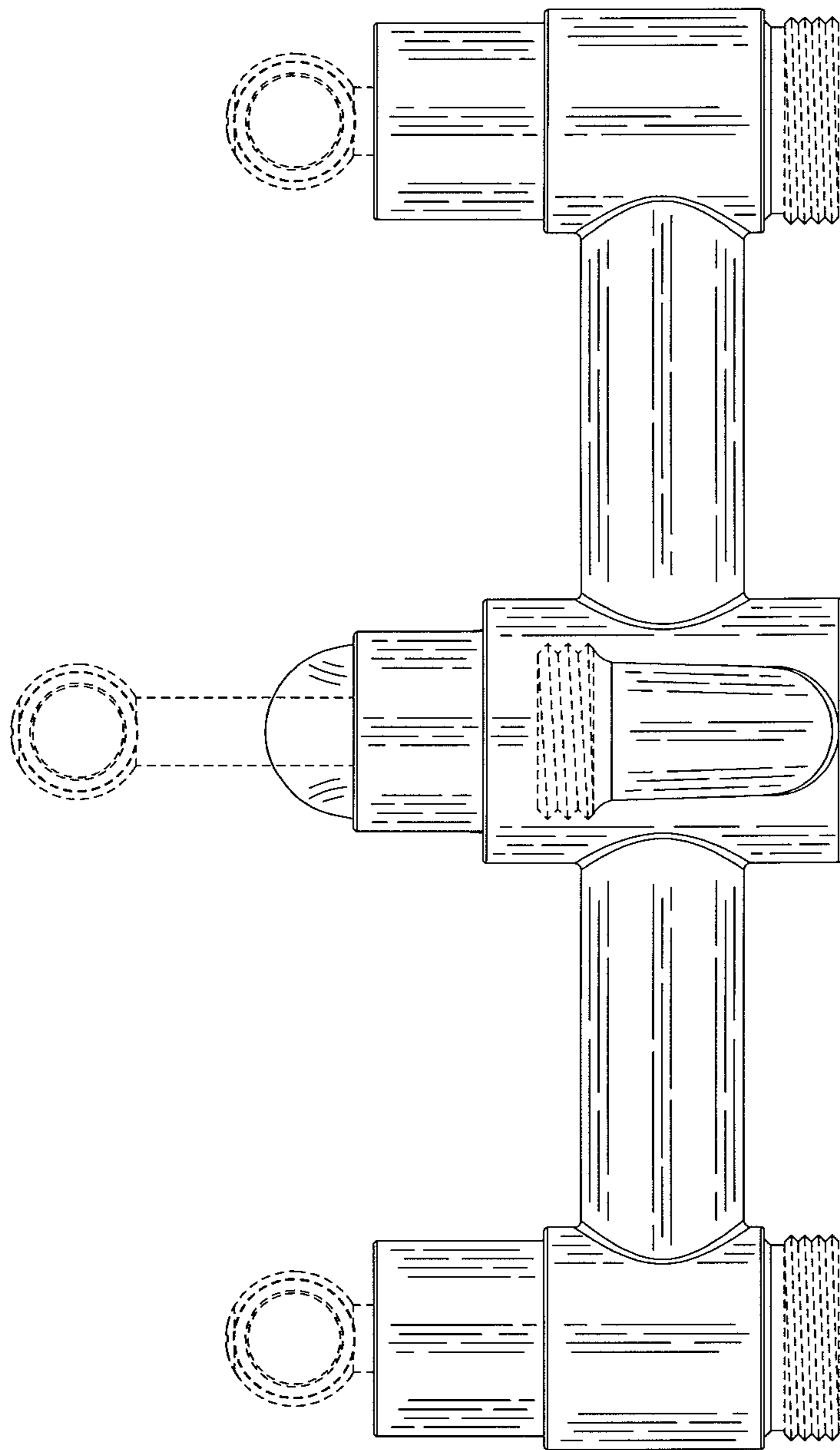


FIG. 3

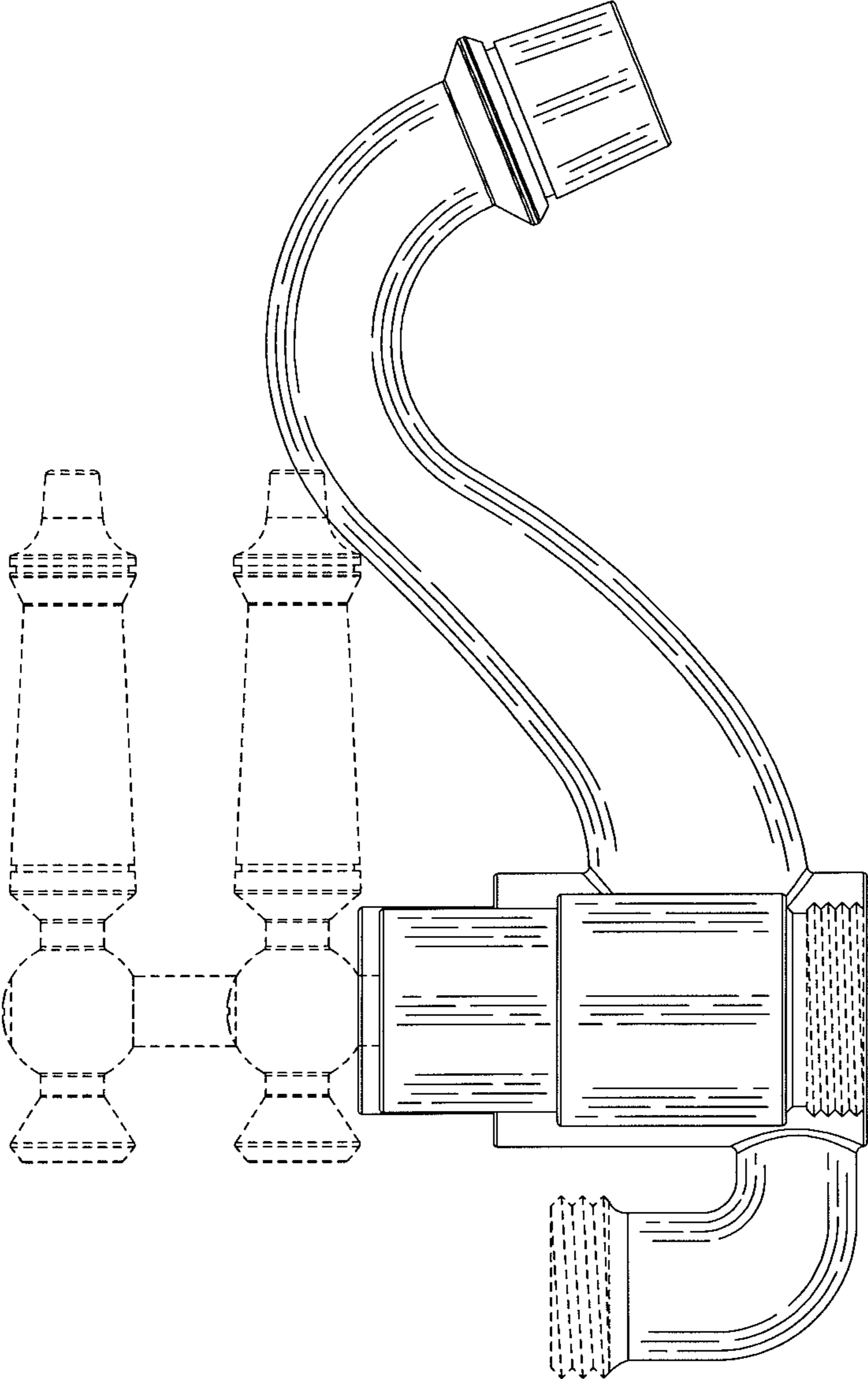


FIG. 4

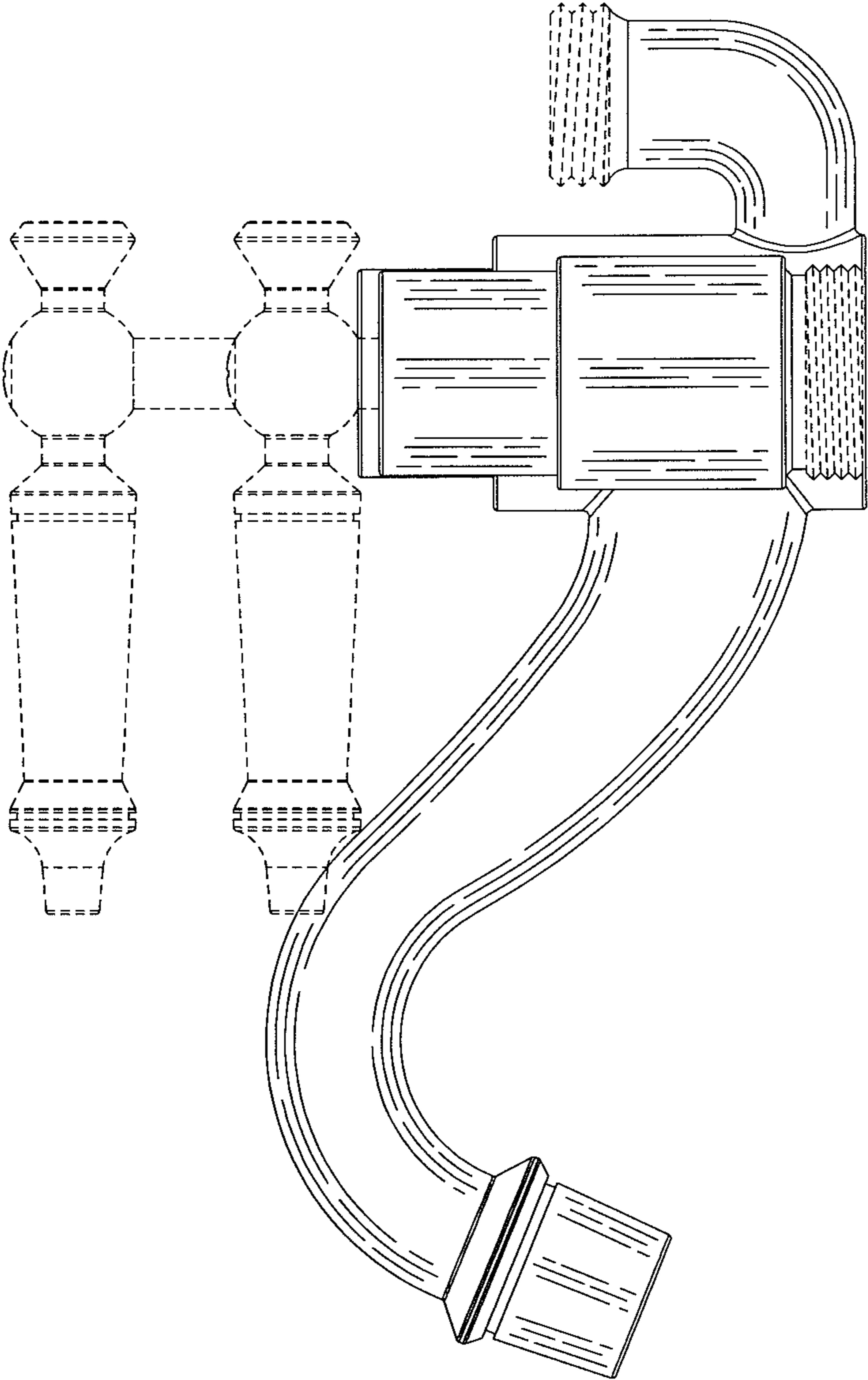


FIG. 5

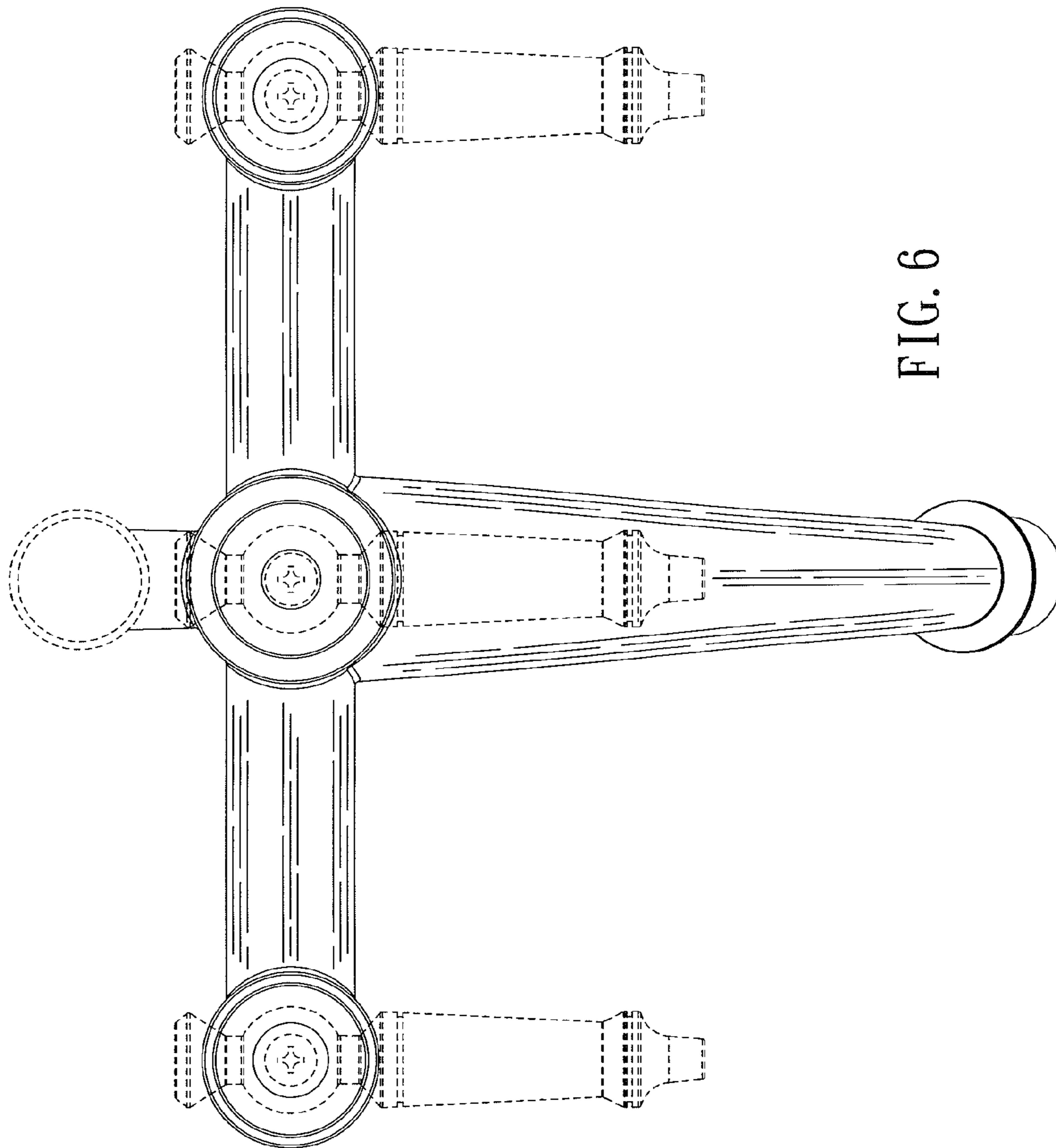


FIG. 6

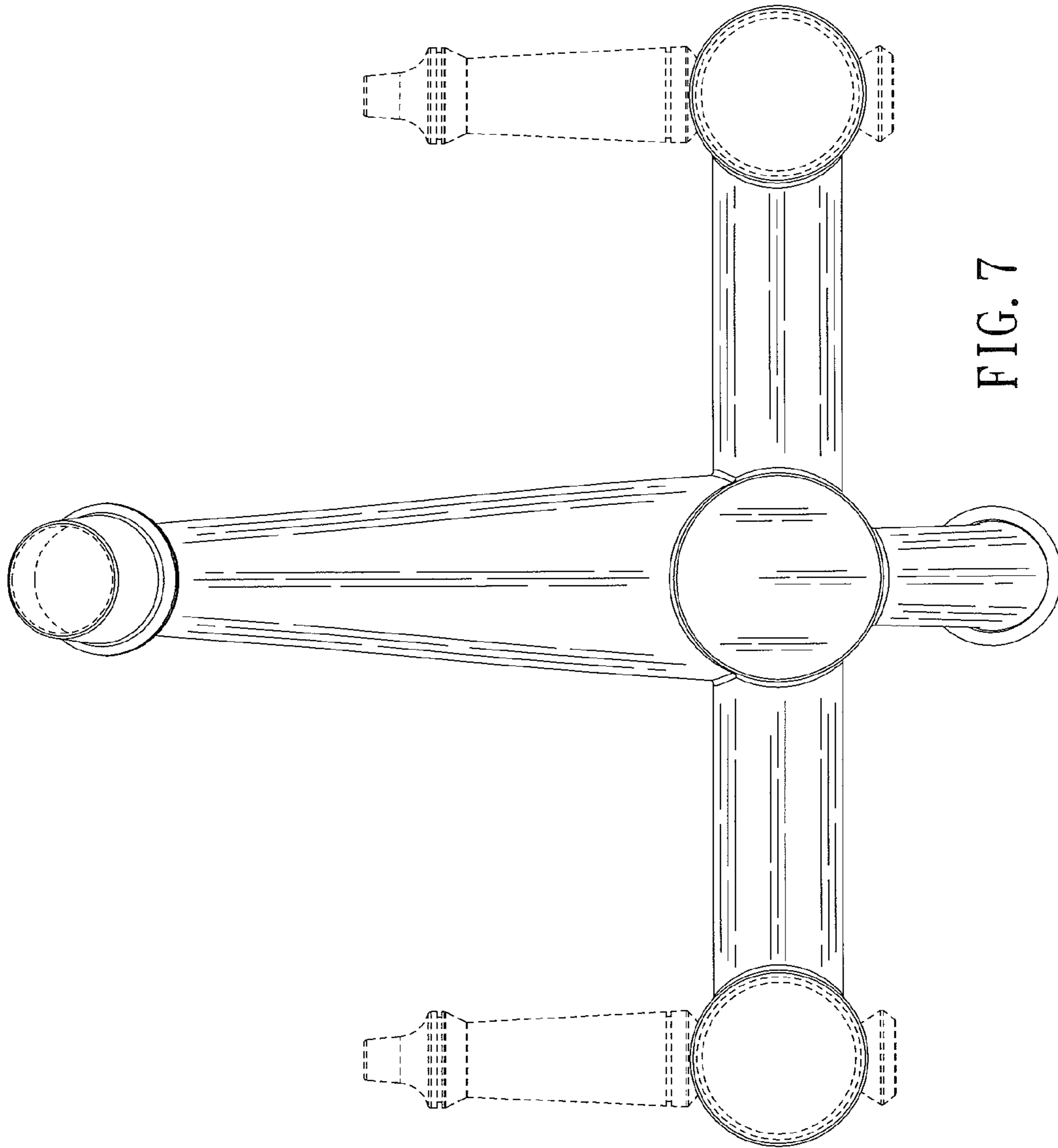


FIG. 7