



US00D693437S

(12) **United States Design Patent**
Starck

(10) **Patent No.:** **US D693,437 S**
(45) **Date of Patent:** **** Nov. 12, 2013**

(54) **FAUCET**

FOREIGN PATENT DOCUMENTS

(71) Applicant: **Hansgrohe SE**, Schiltach (DE)

CN 301978238 7/2012

(72) Inventor: **Philippe Starck**, Paris (FR)

OTHER PUBLICATIONS

(73) Assignee: **Hansgrohe SE**, Schiltach (DE)

Brochure, Roca 2012 DAS BAD, Roca London Gallery, 3 pgs., Roca Sanitario, S.A. AV., Barcelona, Spain (at least as early as Apr. 18, 2012).

(**) Term: **14 Years**

* cited by examiner

(21) Appl. No.: **29/444,057**

Primary Examiner — Robert Delehanty

(22) Filed: **Jan. 25, 2013**

(74) *Attorney, Agent, or Firm* — Nirav D. Parikh

(30) **Foreign Application Priority Data**

Jul. 31, 2012 (EM) 001337570-0001

(51) **LOC (9) Cl.** **23-01**

(52) **U.S. Cl.**
USPC **D23/238**

(58) **Field of Classification Search**
USPC D23/238–243, 249–250, 255, 257;
4/675–678; 138/801

See application file for complete search history.

(56) **References Cited**

U.S. PATENT DOCUMENTS

D266,864 S *	11/1982	Parise et al.	D23/248
D536,070 S *	1/2007	Gilbert	D23/255
D543,415 S *	5/2007	Duranti	D7/398
D680,623 S *	4/2013	Kronenbitter	D23/238
D685,454 S *	7/2013	Yu	D23/238

(57) **CLAIM**

The ornamental design for a faucet, as shown and described.

DESCRIPTION

FIG. 1 is a perspective view of a faucet showing my design;
FIG. 2 is a front elevational view thereof;
FIG. 3 is a rear elevational view thereof;
FIG. 4 is a left side elevational view thereof;
FIG. 5 is a right side elevational view thereof;
FIG. 6 is a top plan view thereof; and,
FIG. 7 is a bottom plan view thereof.

The broken-line disclosure in the views represents portions of the article in which the claimed design is embodied, but which form no part of the claimed design.

1 Claim, 7 Drawing Sheets

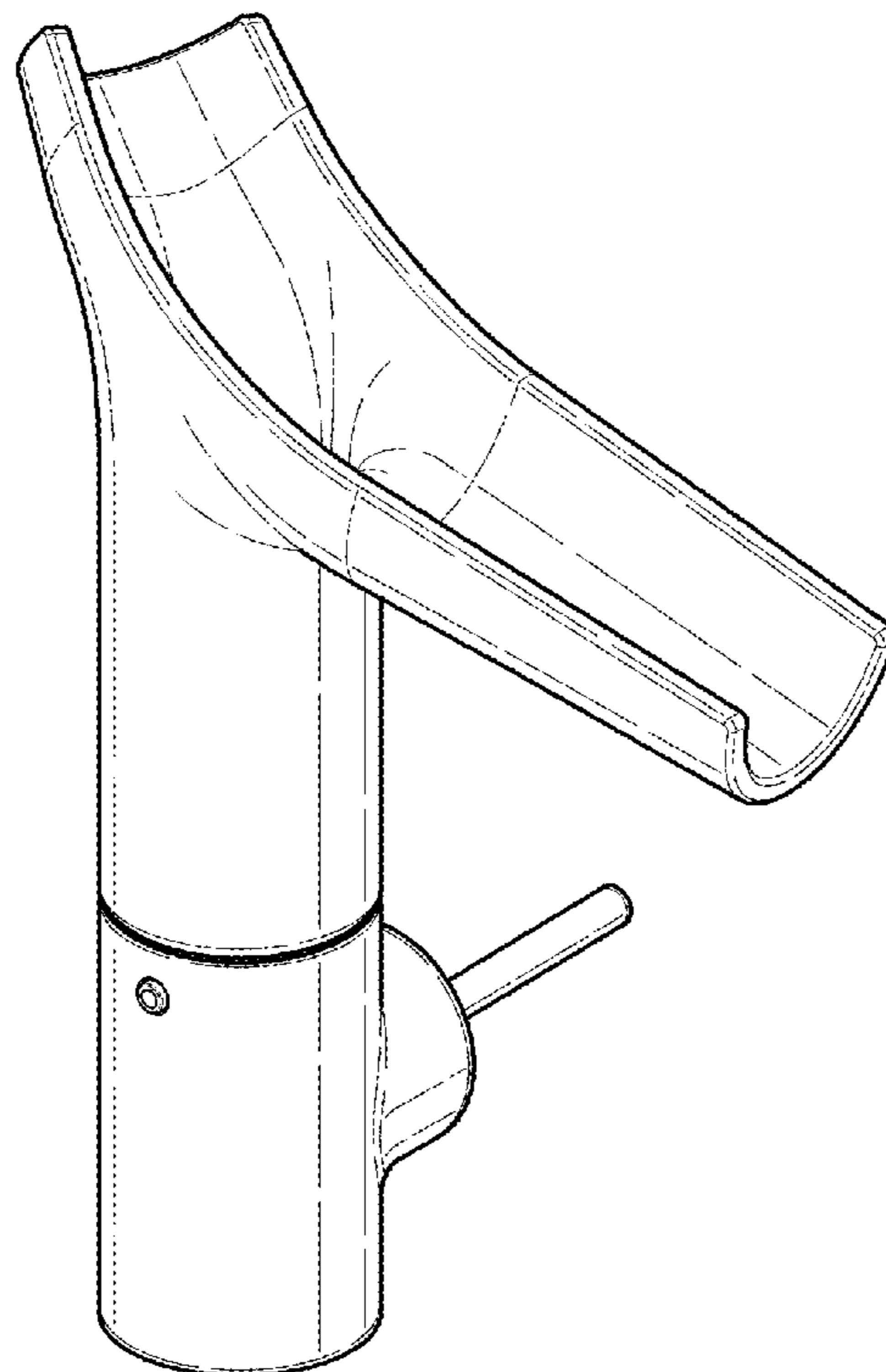


FIG. 1

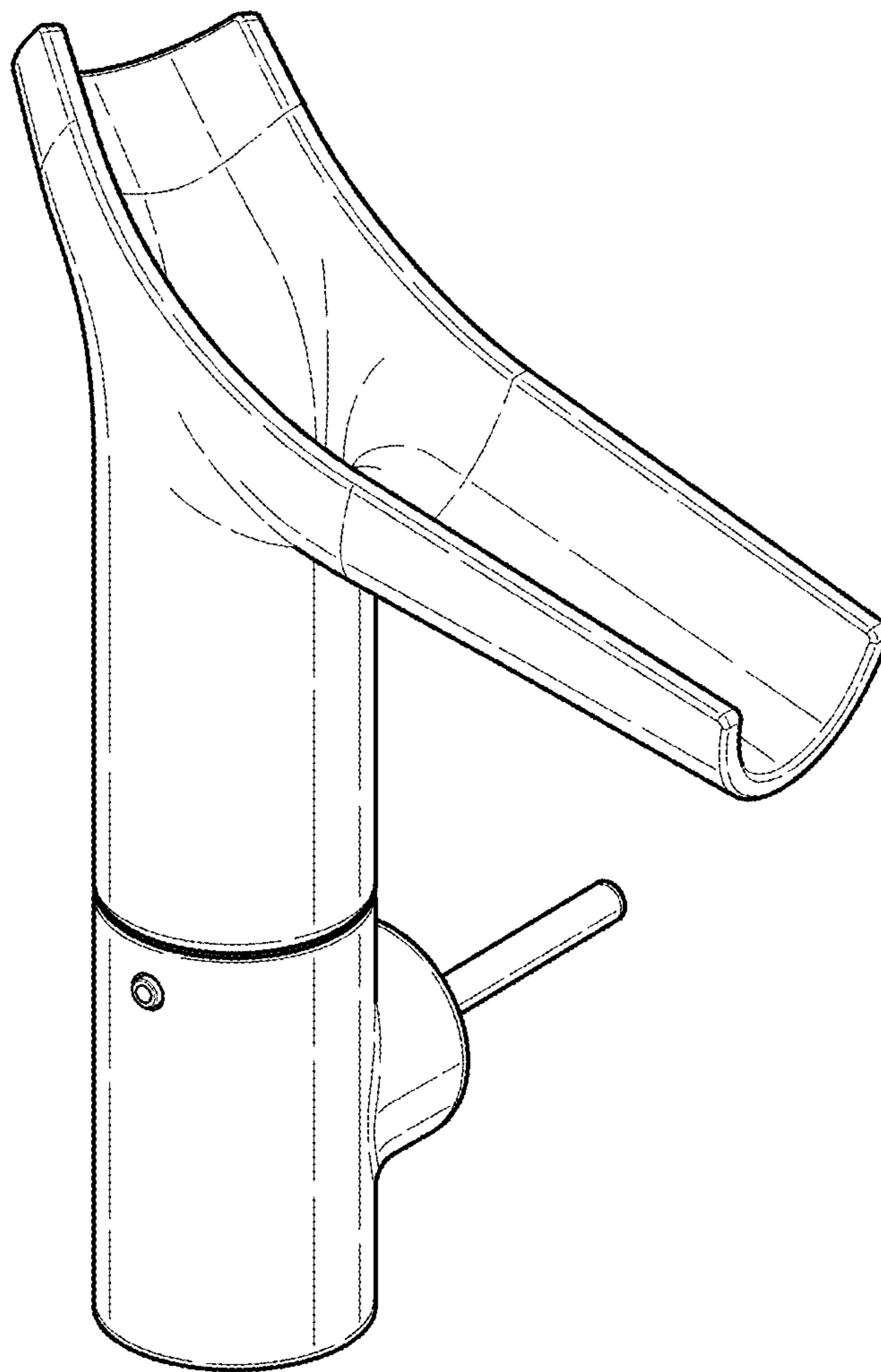


FIG. 2

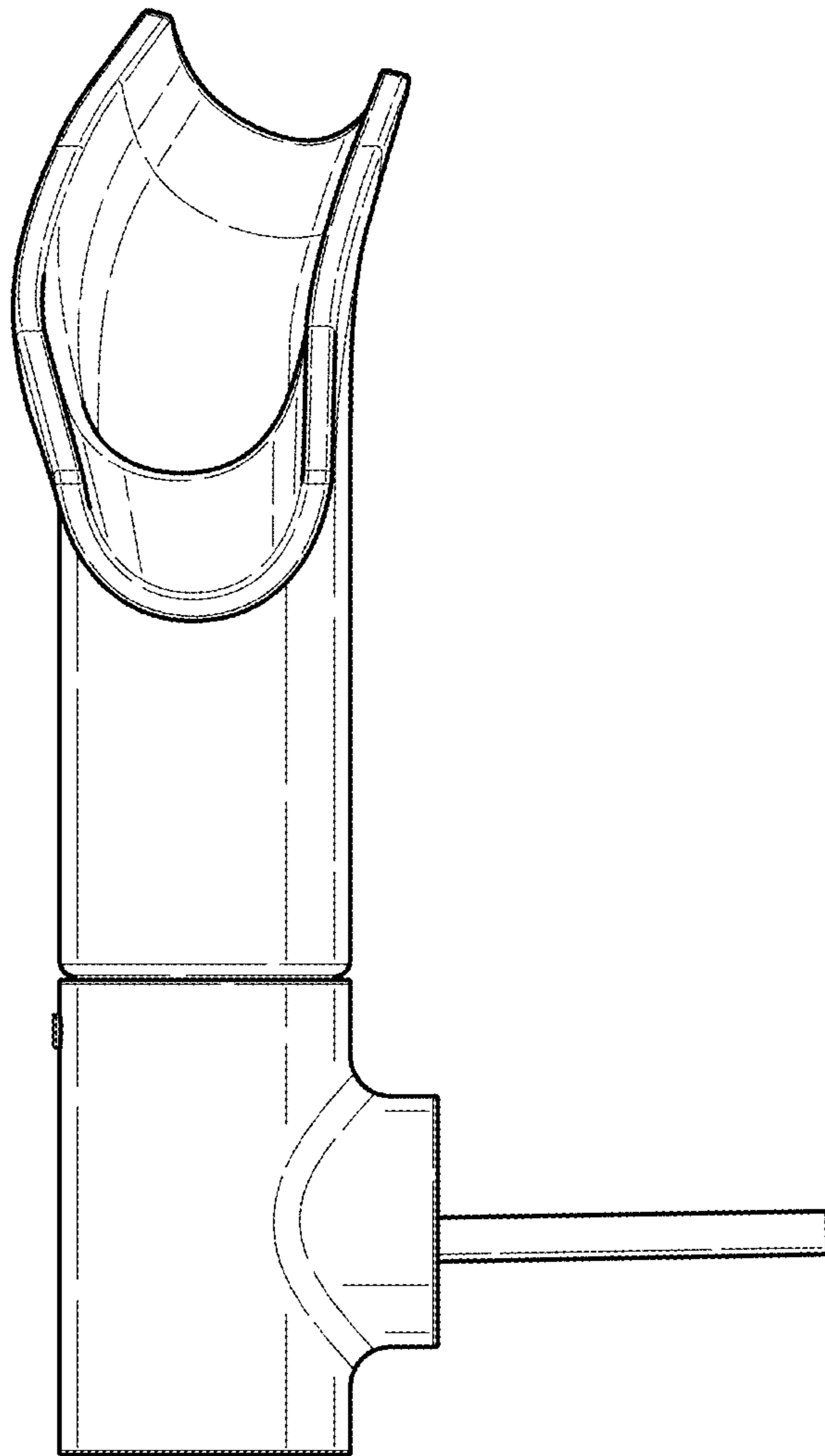


FIG. 3

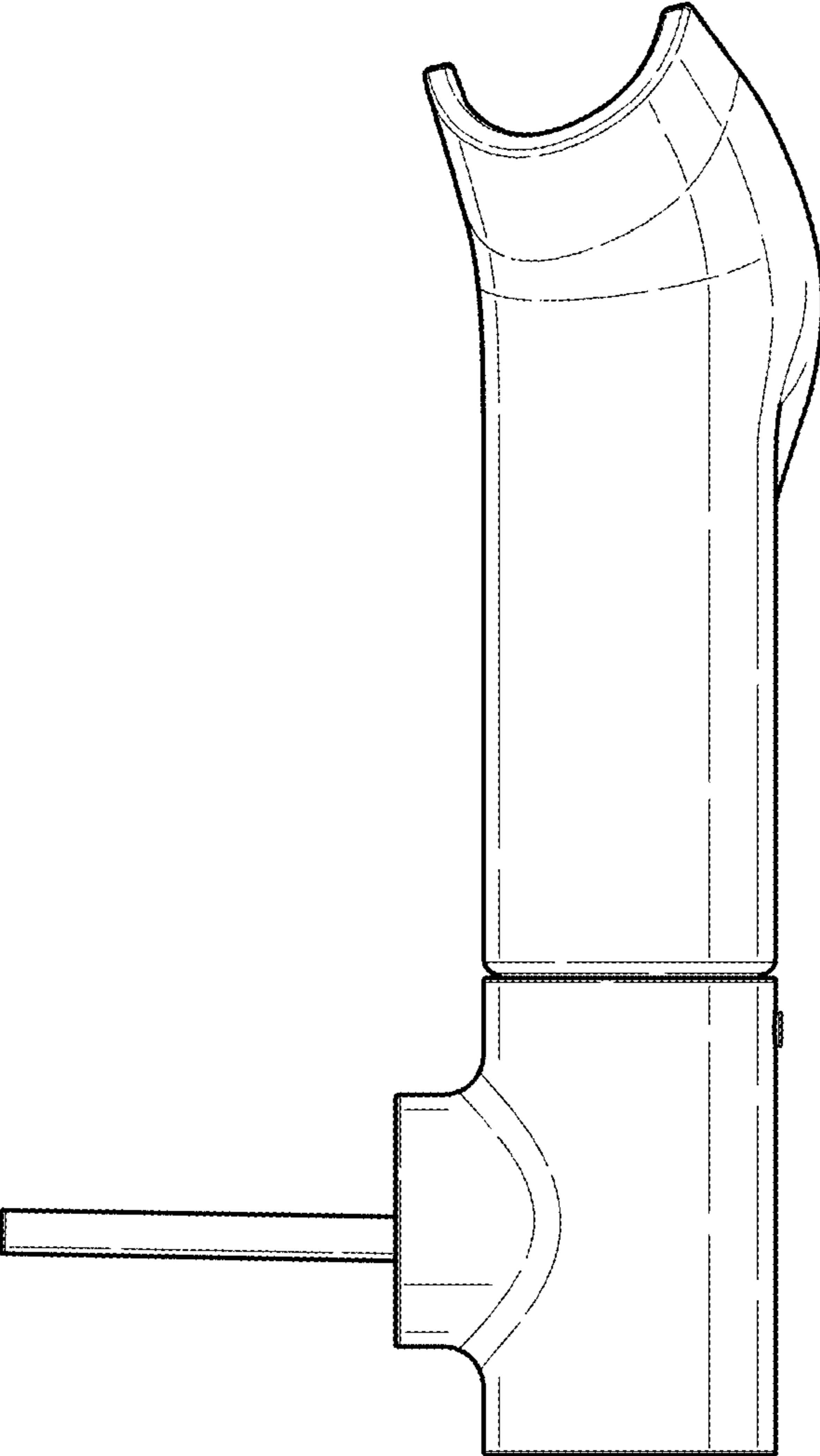


FIG. 4

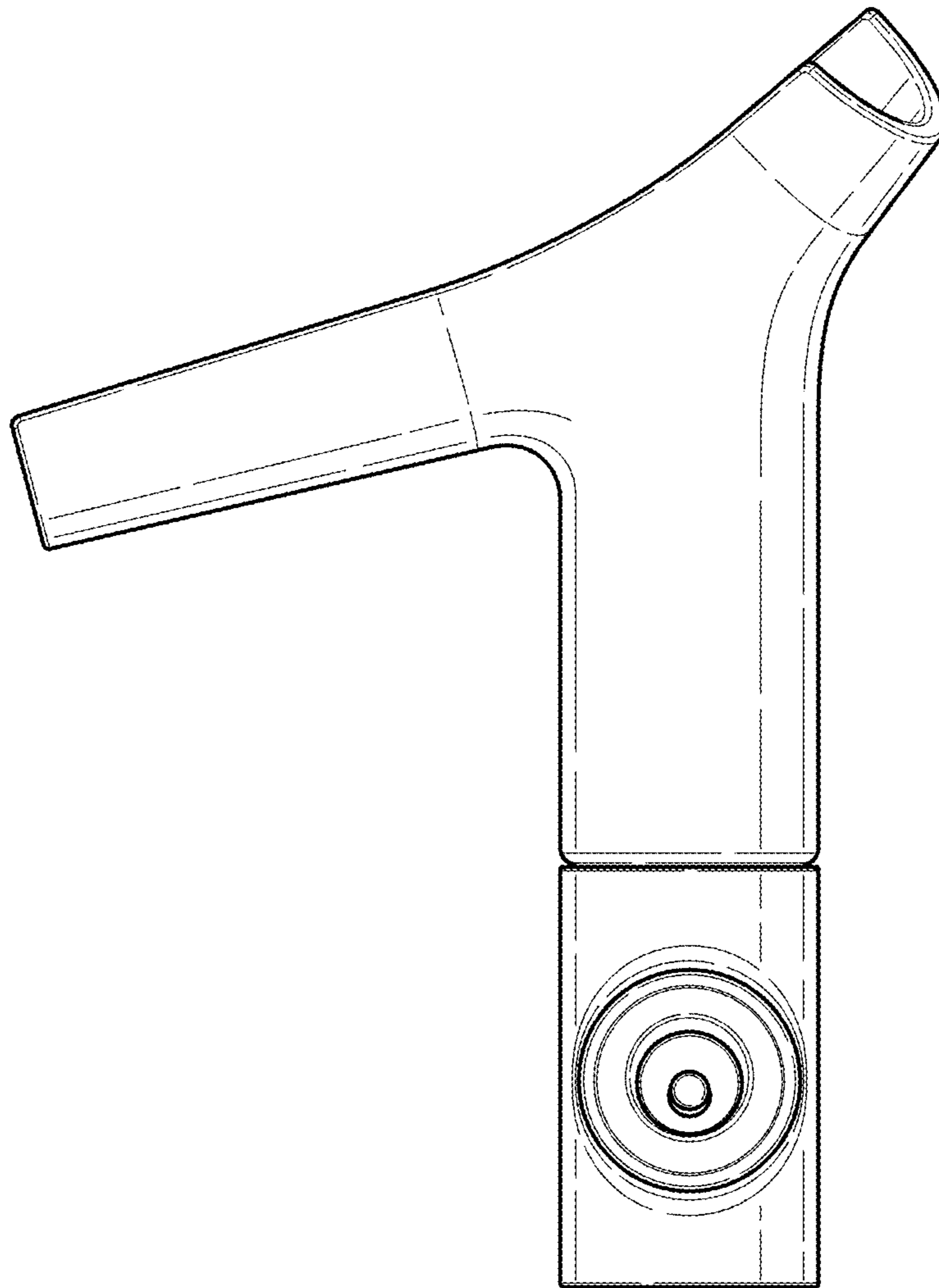


FIG. 5

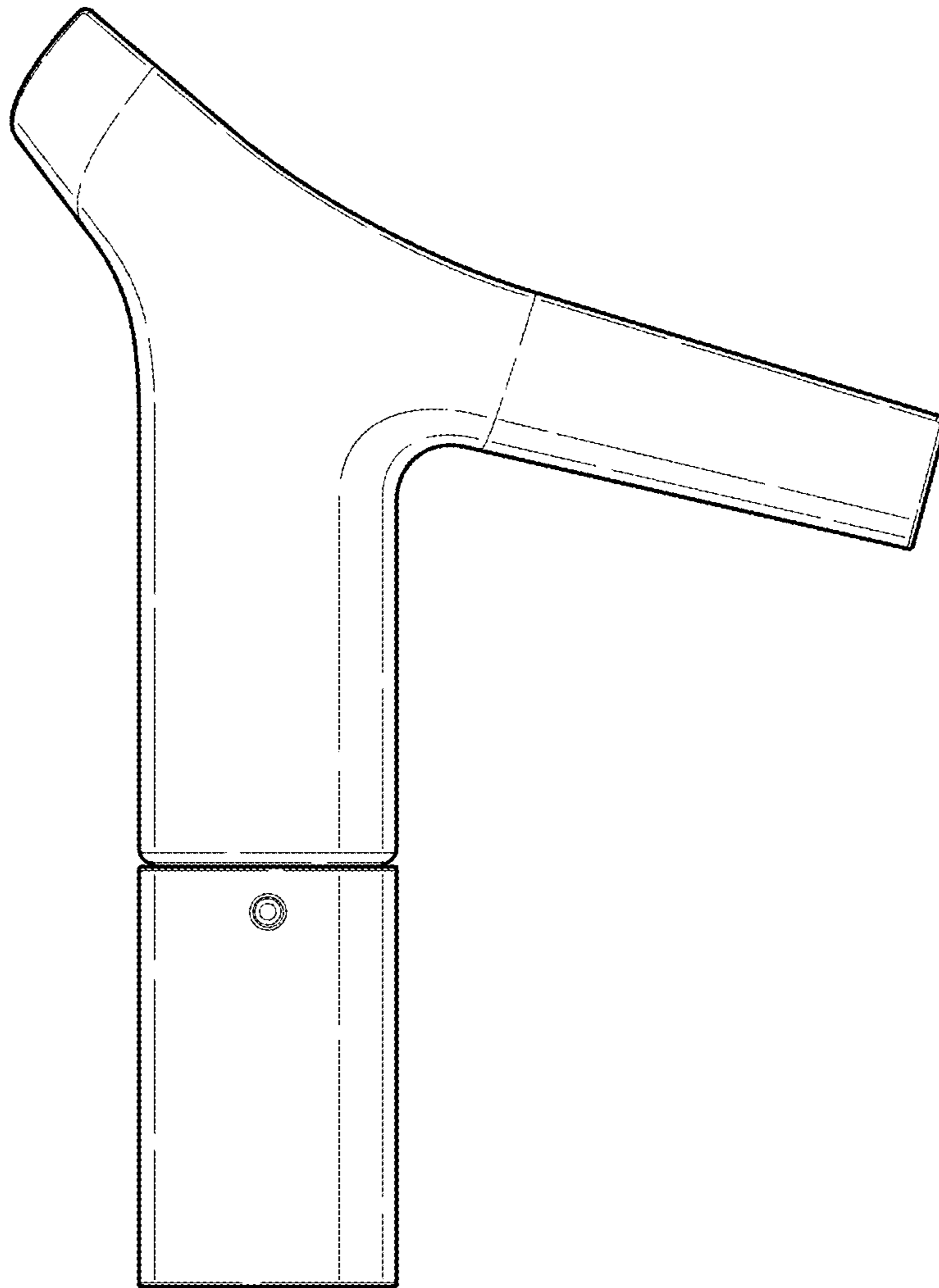


FIG. 6

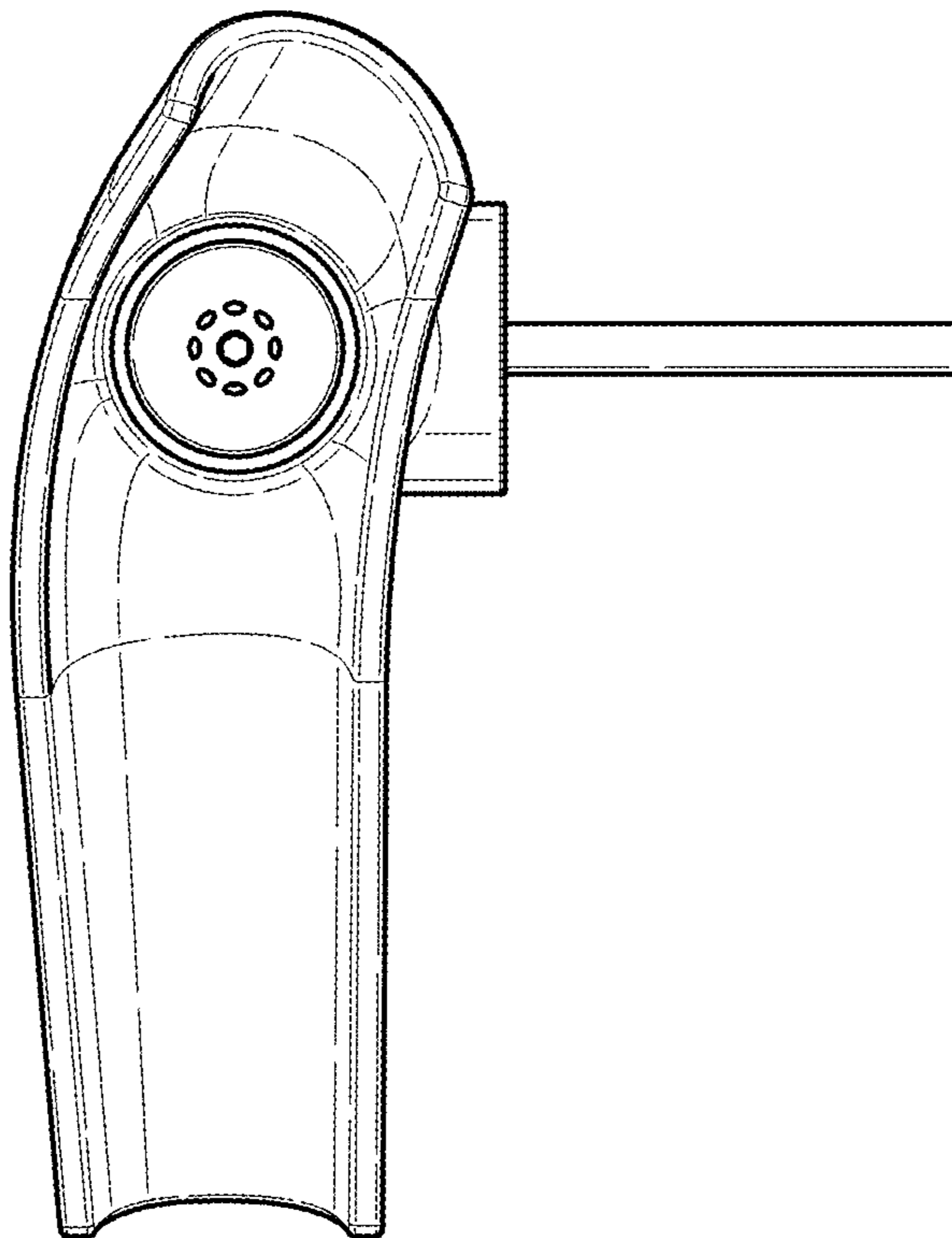


FIG. 7

