



US00D693434S

(12) **United States Design Patent**  
**Starck**

(10) **Patent No.:** **US D693,434 S**

(45) **Date of Patent:** **\*\* Nov. 12, 2013**

(54) **WALL-MOUNTED FAUCET**

FOREIGN PATENT DOCUMENTS

(75) Inventor: **Philippe Starck**, Paris (FR)

DE 40201581.9 2/2002

(73) Assignee: **Hansgrohe SE**, Schiltach (DE)

EM 000114103-0001 12/2003

EM 000114103-0002 12/2003

(\*\*) Term: **14 Years**

EM 000125000-0005 1/2004

\* cited by examiner

(21) Appl. No.: **29/431,598**

*Primary Examiner* — Robert Delehanty

(22) Filed: **Sep. 10, 2012**

(74) *Attorney, Agent, or Firm* — Nirav D. Parikh

(30) **Foreign Application Priority Data**

(57) **CLAIM**

The ornamental design for a wall-mounted faucet, as shown and described.

Mar. 16, 2012 (EM) ..... 001318273-0004

(51) **LOC (9) Cl.** ..... **23-01**

**DESCRIPTION**

(52) **U.S. Cl.**

USPC ..... **D23/238**

(58) **Field of Classification Search**

USPC ..... D23/238–243, 249–250, 255, 257;  
4/675–678; 138/801

See application file for complete search history.

FIG. 1 is a perspective view of a wall-mounted faucet showing my design;

FIG. 2 is a front elevational view thereof;

FIG. 3 is a rear elevational view thereof;

FIG. 4 is a left side elevational view thereof;

FIG. 5 is a right side elevational view thereof;

FIG. 6 is a top plan view thereof; and,

FIG. 7 is a bottom plan view thereof.

The broken-line disclosure in the views represents portions of the article in which the claimed design is embodied, but which form no part of the claimed design.

(56) **References Cited**

U.S. PATENT DOCUMENTS

D438,597 S \* 3/2001 Gottwald et al. .... D23/238

D560,759 S \* 1/2008 Heck et al. .... D23/238

D590,921 S \* 4/2009 Soulier ..... D23/255

D667,087 S \* 9/2012 Shieh ..... D23/239

**1 Claim, 7 Drawing Sheets**

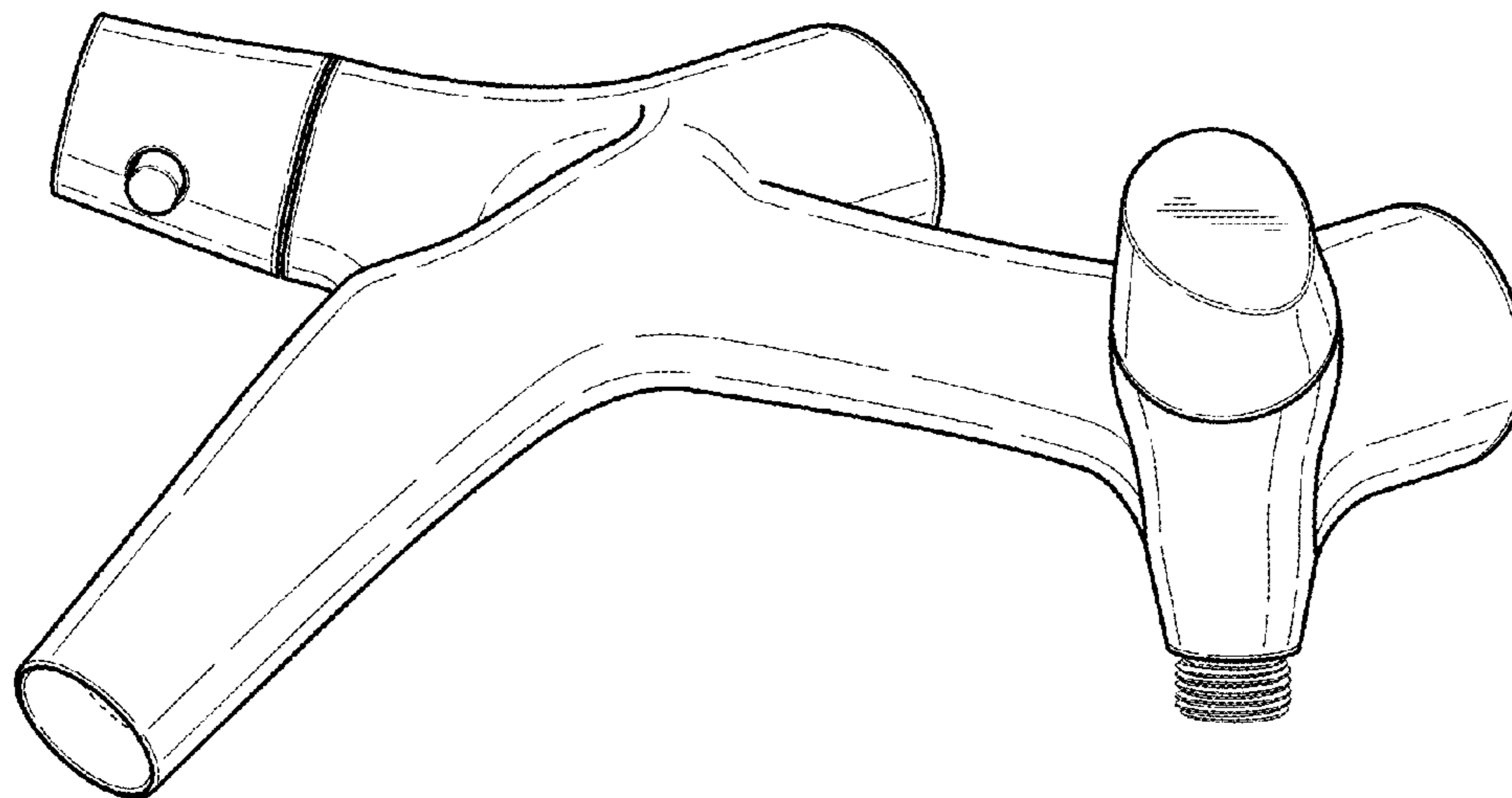


FIG. 1

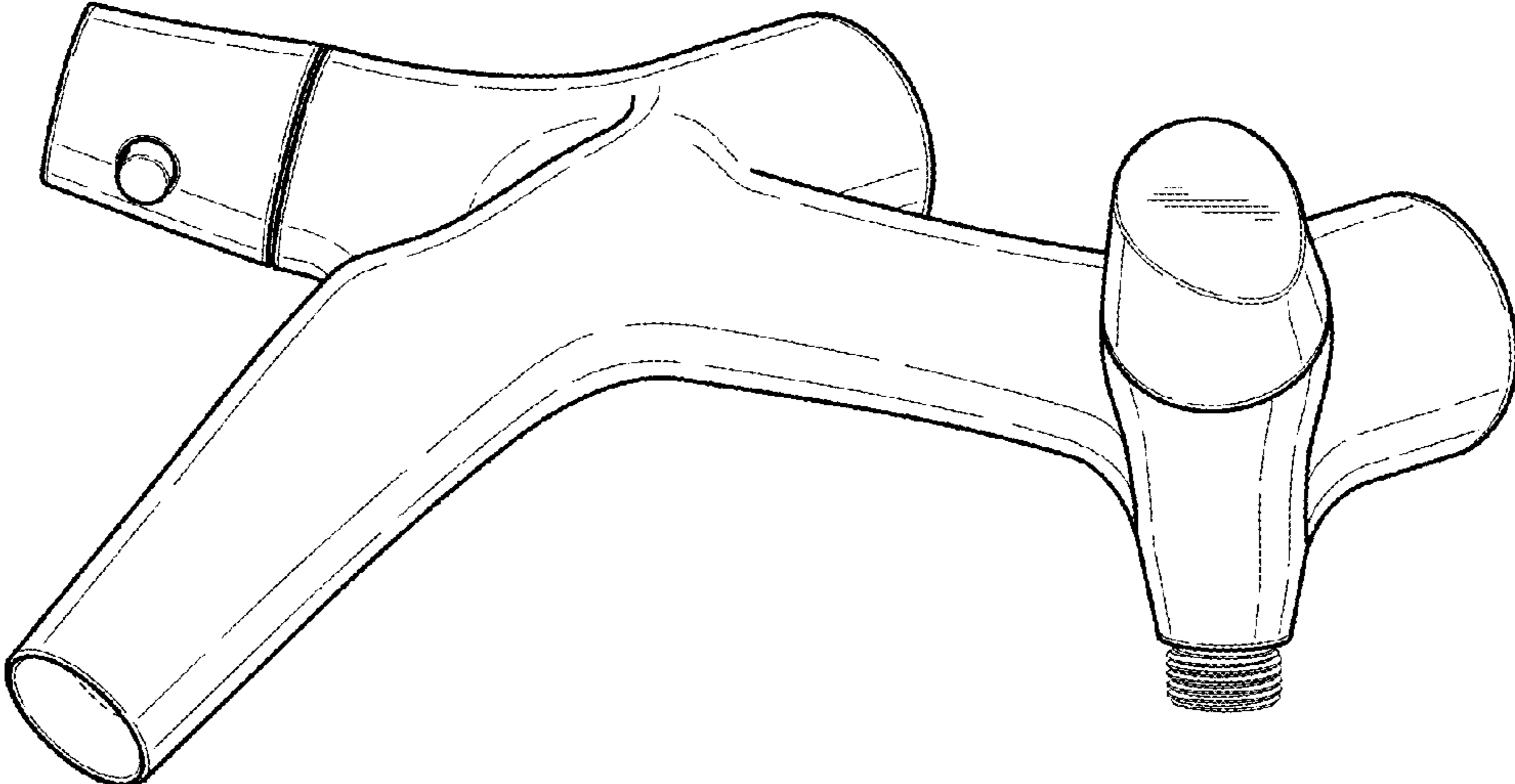


FIG. 2

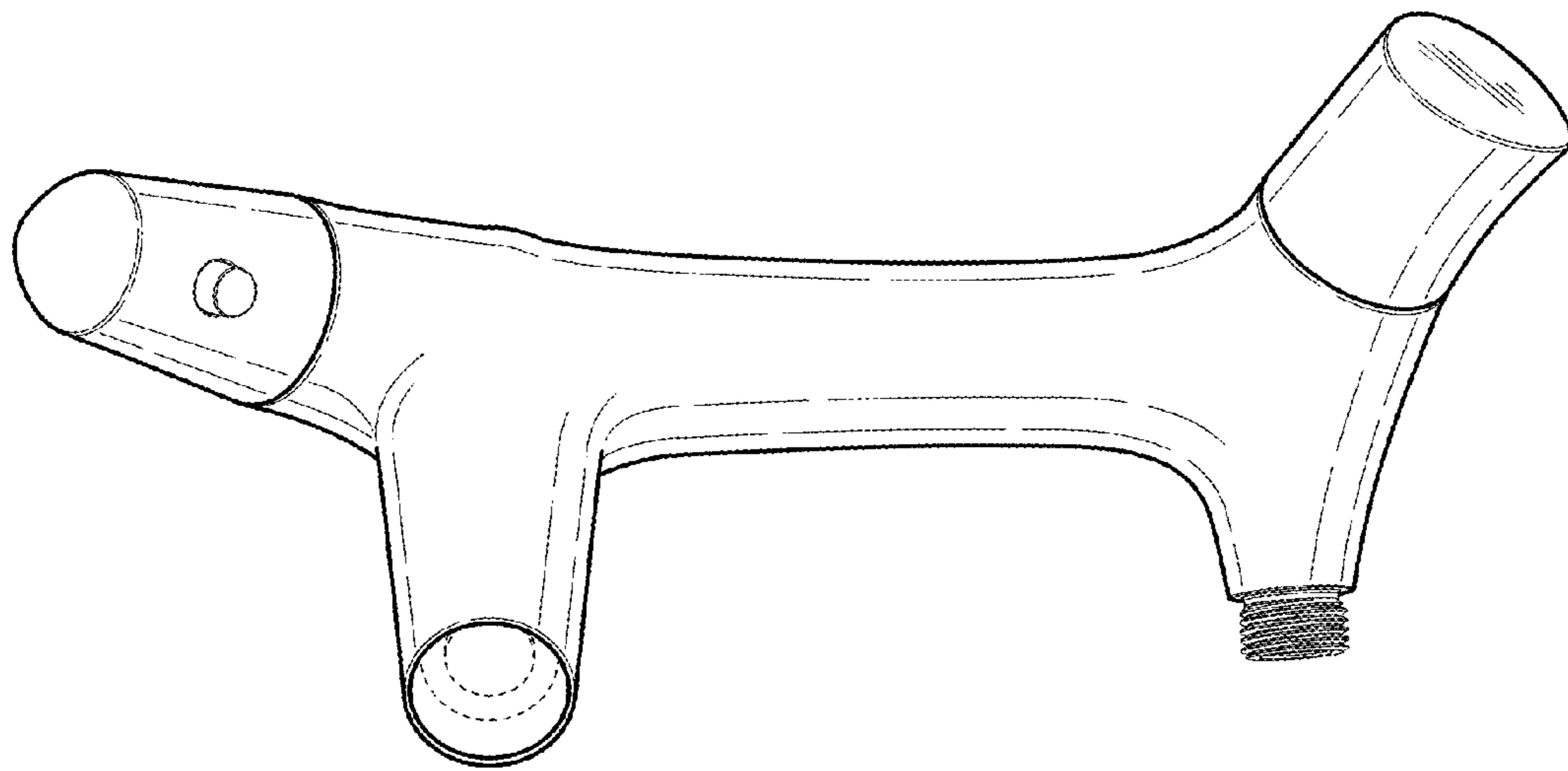


FIG. 3

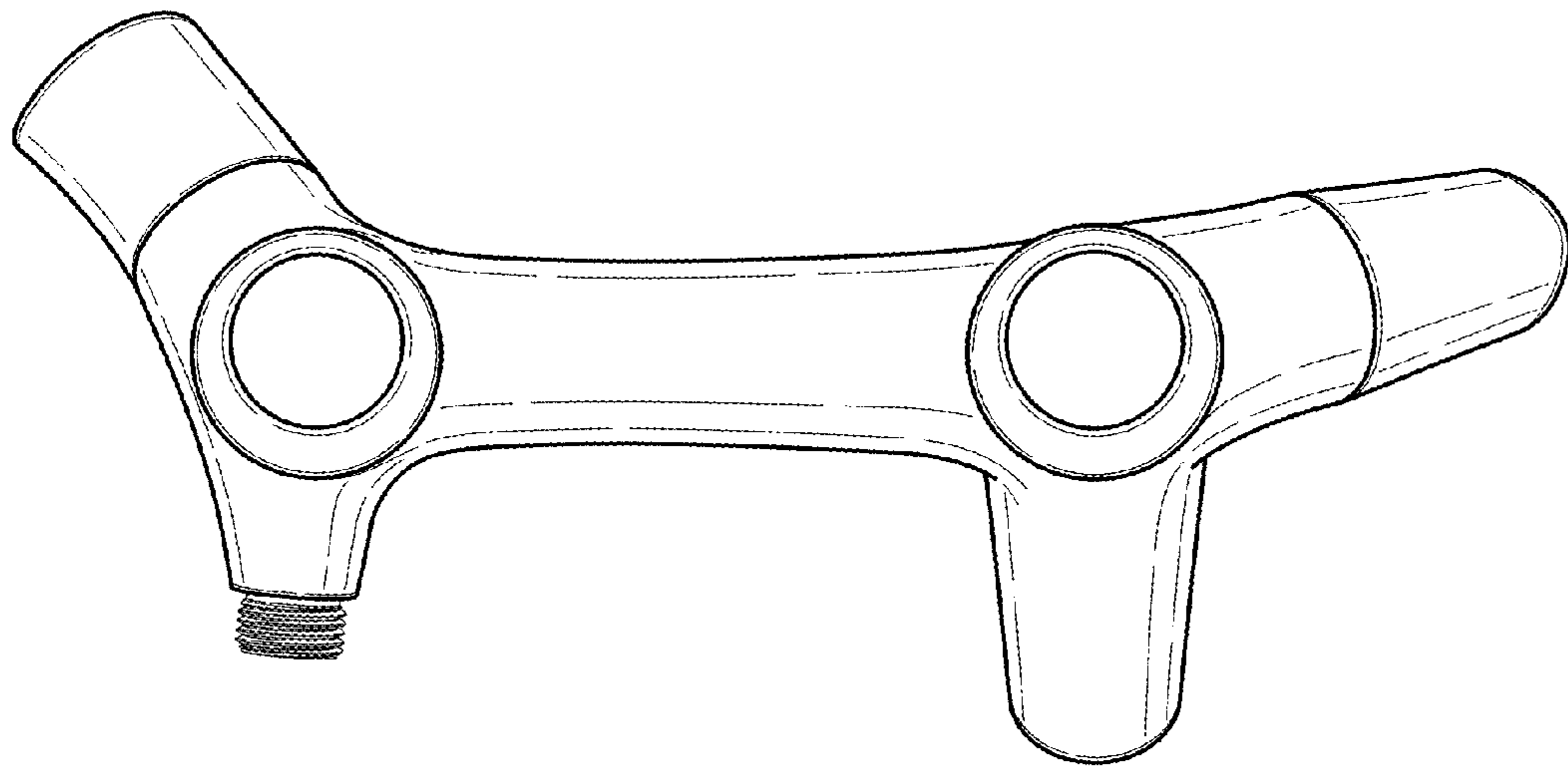


FIG. 4

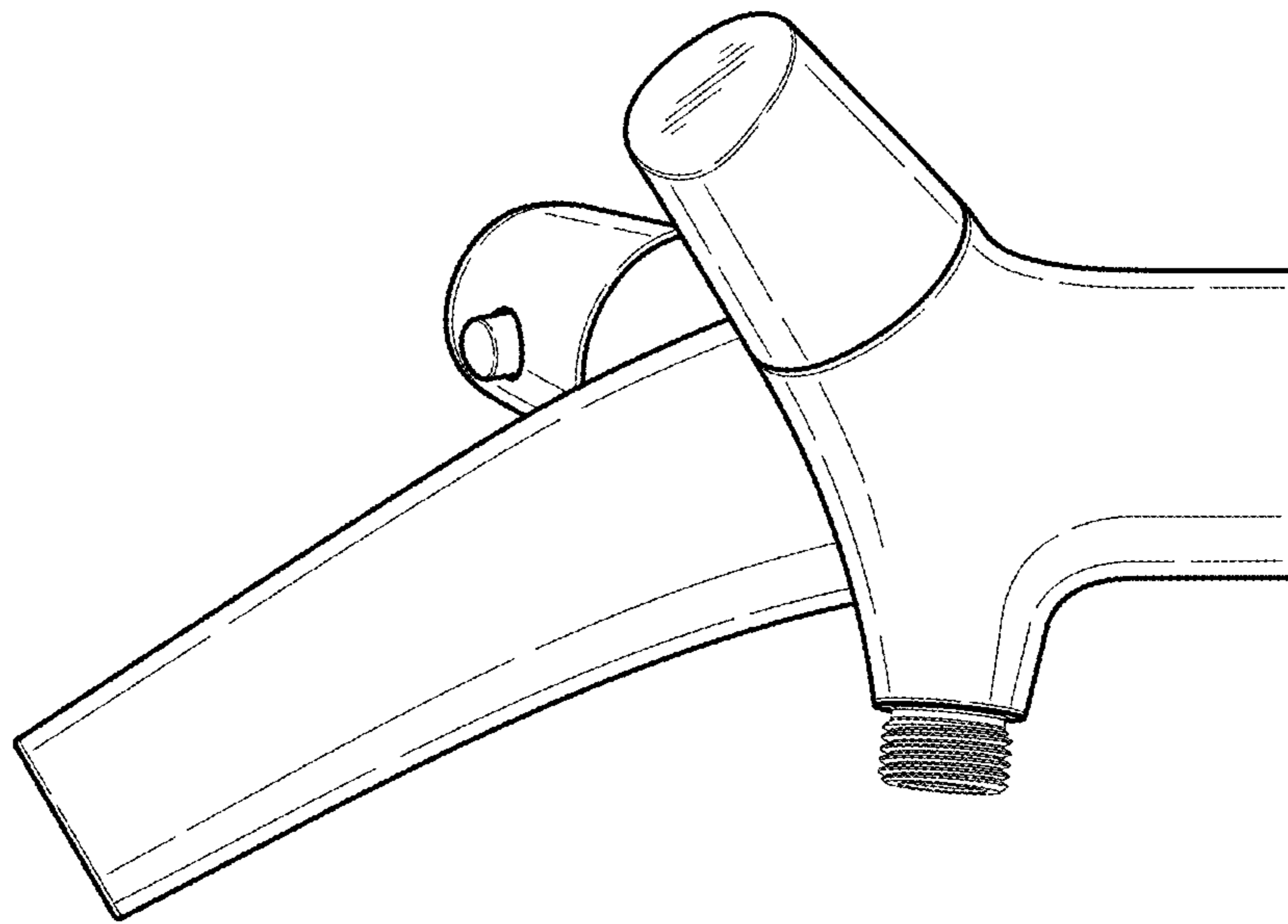


FIG. 5

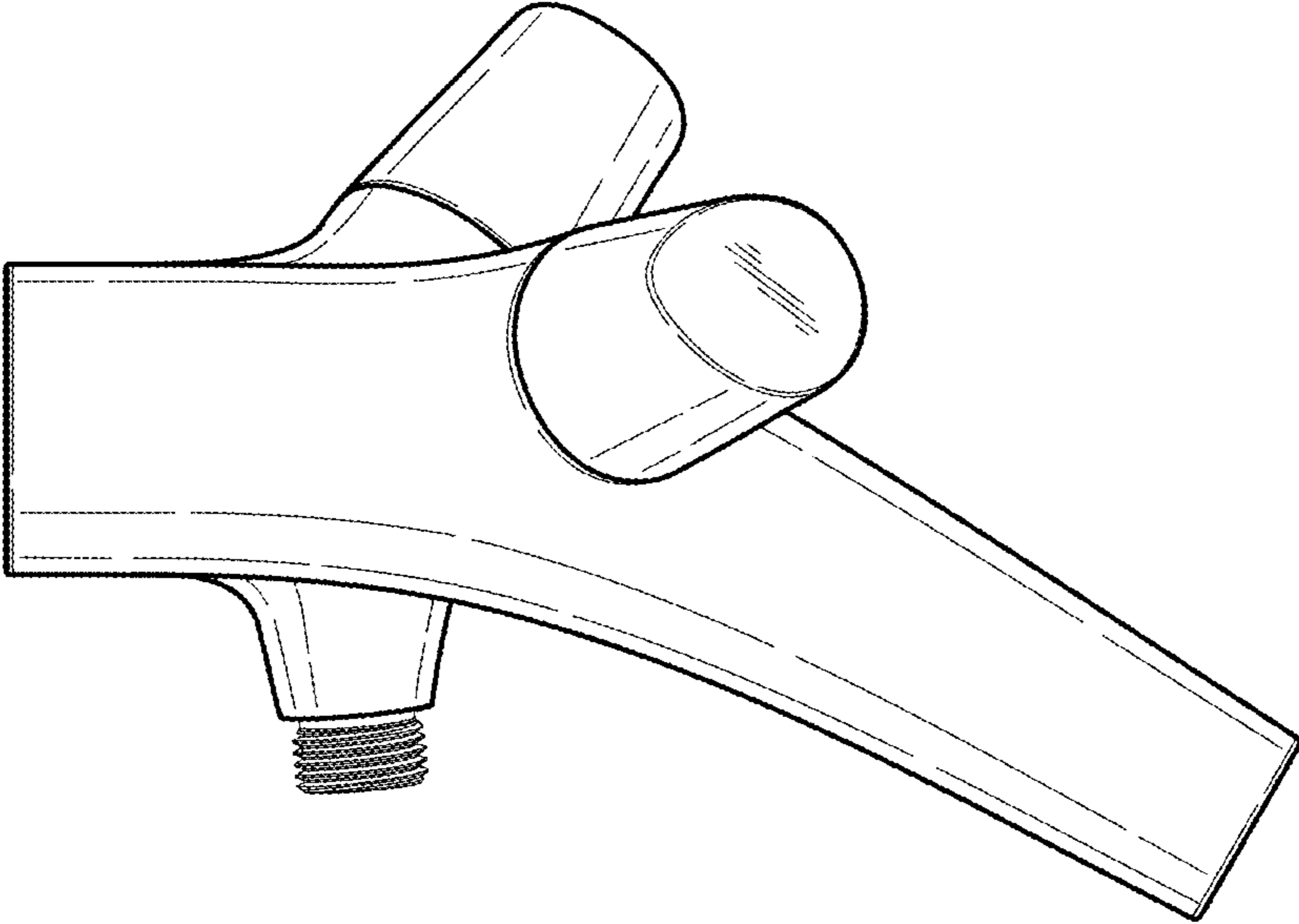


FIG. 6

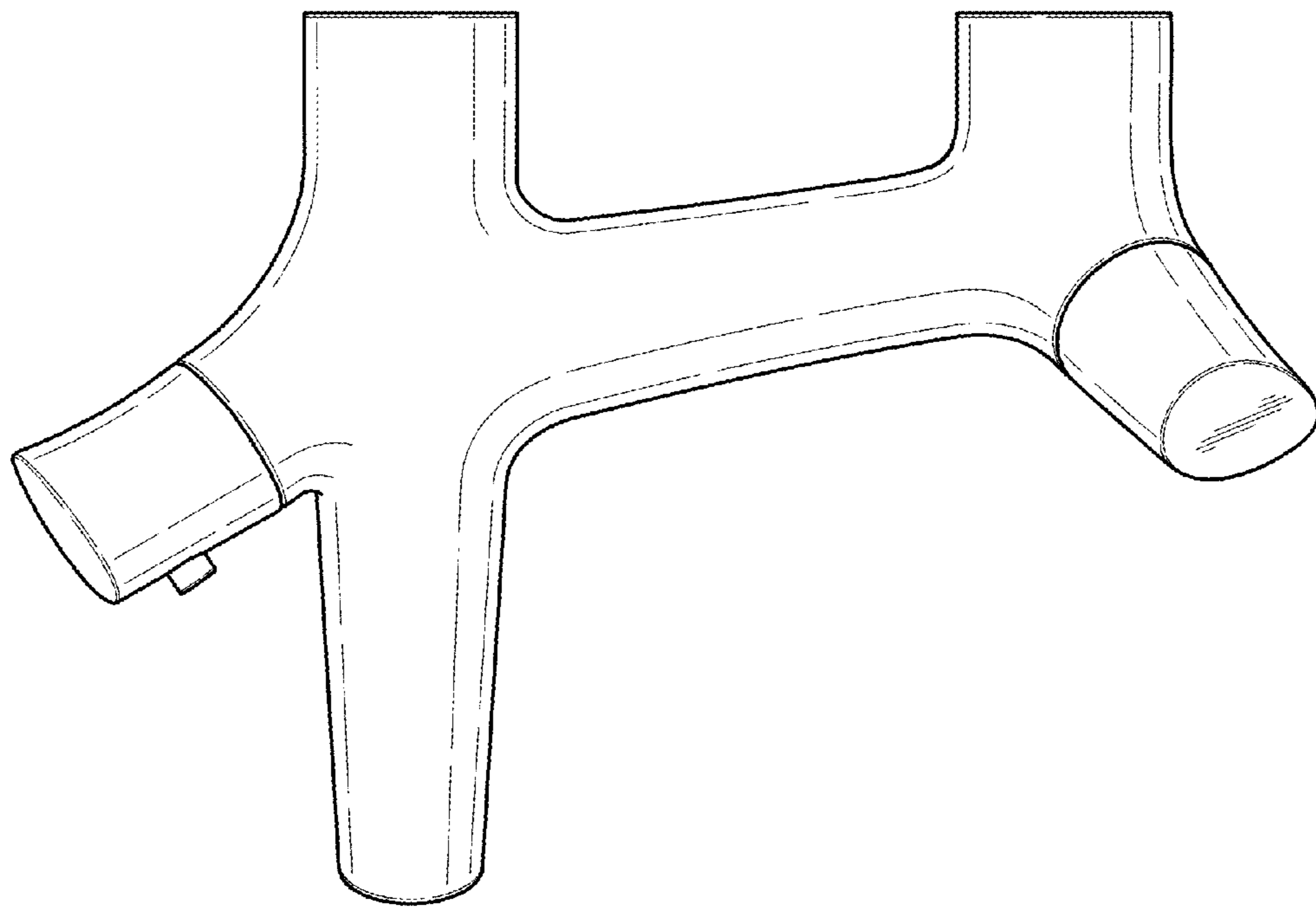


FIG. 7

