



US00D693429S

(12) **United States Design Patent**
Thibodeaux, Jr.

(10) **Patent No.:** **US D693,429 S**

(45) **Date of Patent:** **** Nov. 12, 2013**

(54) **SAFETY RELIEF VALVE**

(75) Inventor: **Albert W. Thibodeaux, Jr.**, Decatur, AL
(US)

(73) Assignee: **Reliance Worldwide Corporation**,
Cullman, AL (US)

(**) Term: **14 Years**

(21) Appl. No.: **29/416,470**

(22) Filed: **Mar. 22, 2012**

(51) **LOC (9) Cl.** **23-01**

(52) **U.S. Cl.**
USPC **D23/233**

(58) **Field of Classification Search**
USPC D23/233-237, 244-249; 251/315.01,
251/286, 174, 181, 180, 175, 192, 288;
137/544, 590

See application file for complete search history.

(56) **References Cited**

U.S. PATENT DOCUMENTS

2,673,571	A *	3/1954	Lerom	137/590
3,291,184	A *	12/1966	Varvel	431/121
D242,709	S	12/1976	Schourup	
D242,710	S	12/1976	Schourup	
4,250,921	A *	2/1981	Pingel et al.	137/625.41
D278,551	S	4/1985	Crossman	
D296,232	S	6/1988	Crossman	
4,957,138	A *	9/1990	Pingel et al.	137/549

D321,241	S	10/1991	Ingle	
D326,503	S *	5/1992	Ipsen	D23/233
5,115,837	A *	5/1992	Tupper	137/625.41
5,211,194	A *	5/1993	Scott et al.	137/590
D413,374	S *	8/1999	Tine, Jr.	D23/233
D417,905	S	12/1999	Kallenbach et al.	
6,510,867	B2	1/2003	LaFleur	
D633,179	S	2/2011	Geideman et al.	
D687,927	S *	8/2013	Ma	D23/233

* cited by examiner

Primary Examiner — Cynthia Ramirez

(74) *Attorney, Agent, or Firm* — Kenneth M. Bush; Gerald M. Walsh; Bush Intellectual Property Law

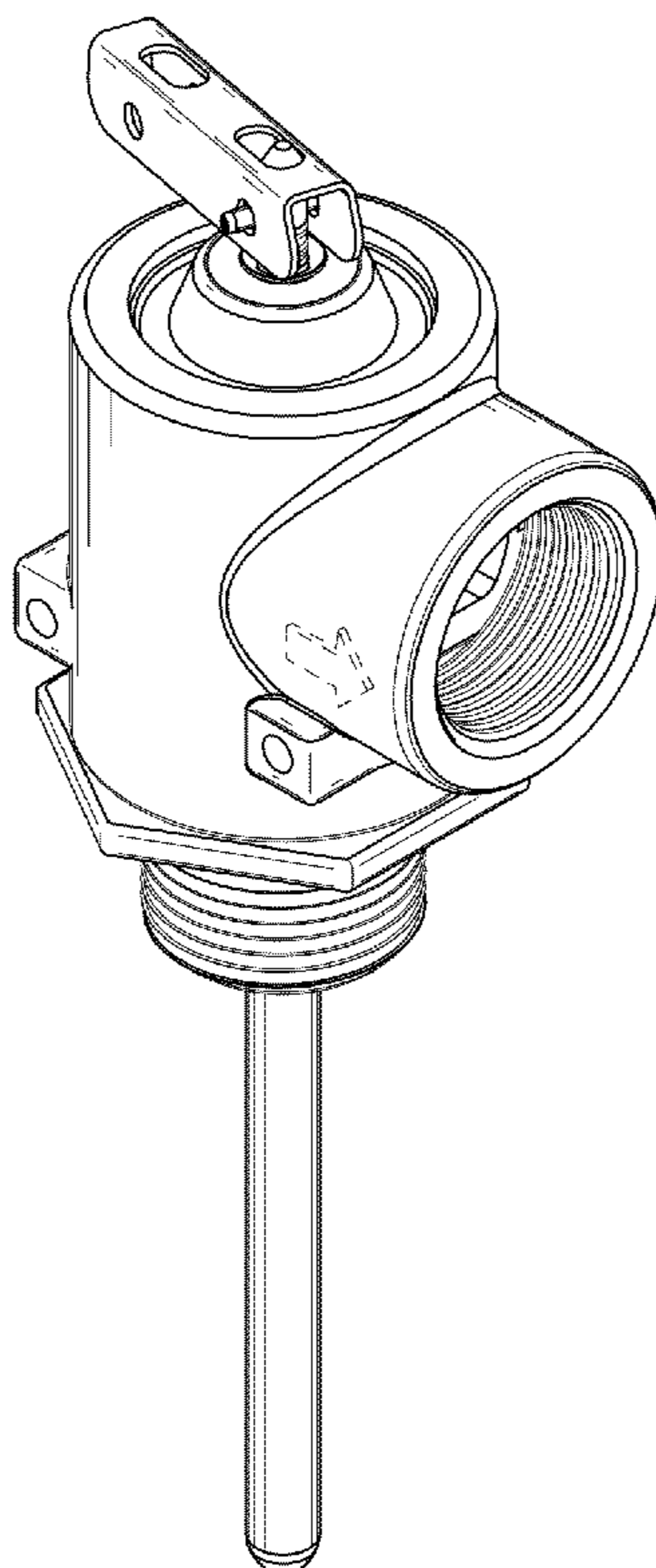
(57) **CLAIM**

I claim the ornamental design for a safety relief valve, as shown and described.

DESCRIPTION

FIG. 1 is a front, left, top perspective view of a safety relief valve showing my new design;
FIG. 2 is a front elevation view thereof;
FIG. 3 is a rear elevation view thereof;
FIG. 4 is a left side elevation view thereof;
FIG. 5 is a right side elevation view thereof;
FIG. 6 is a top plan view thereof; and,
FIG. 7 is a bottom plan view thereof.
In the drawings, the broken lines are for illustrative purposes only and form no part of the claimed design.

1 Claim, 3 Drawing Sheets



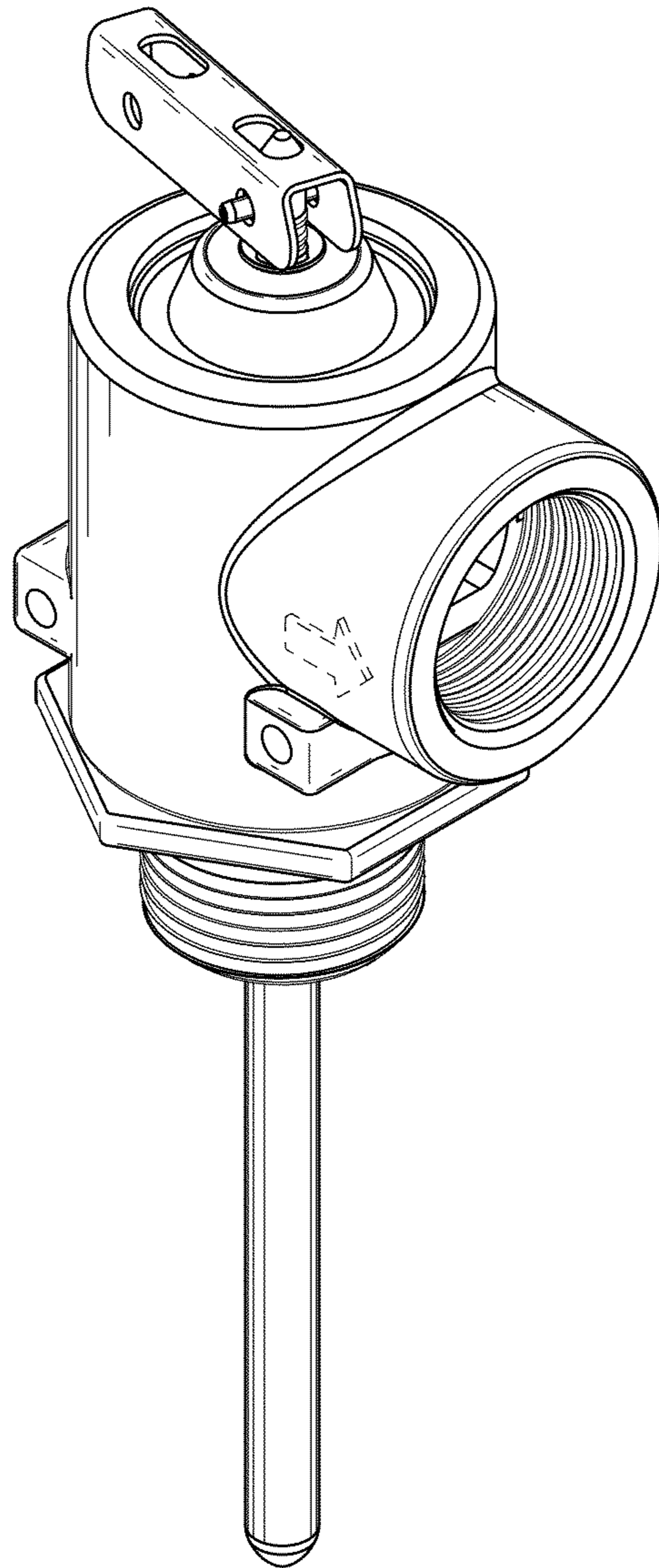


FIG. 1

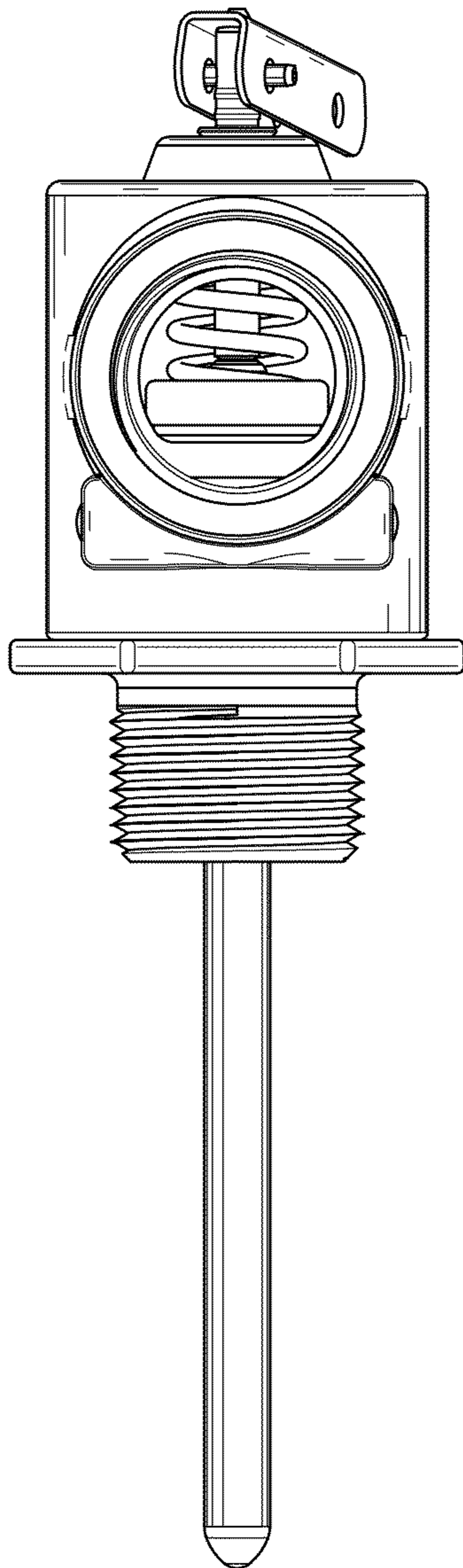


FIG. 2

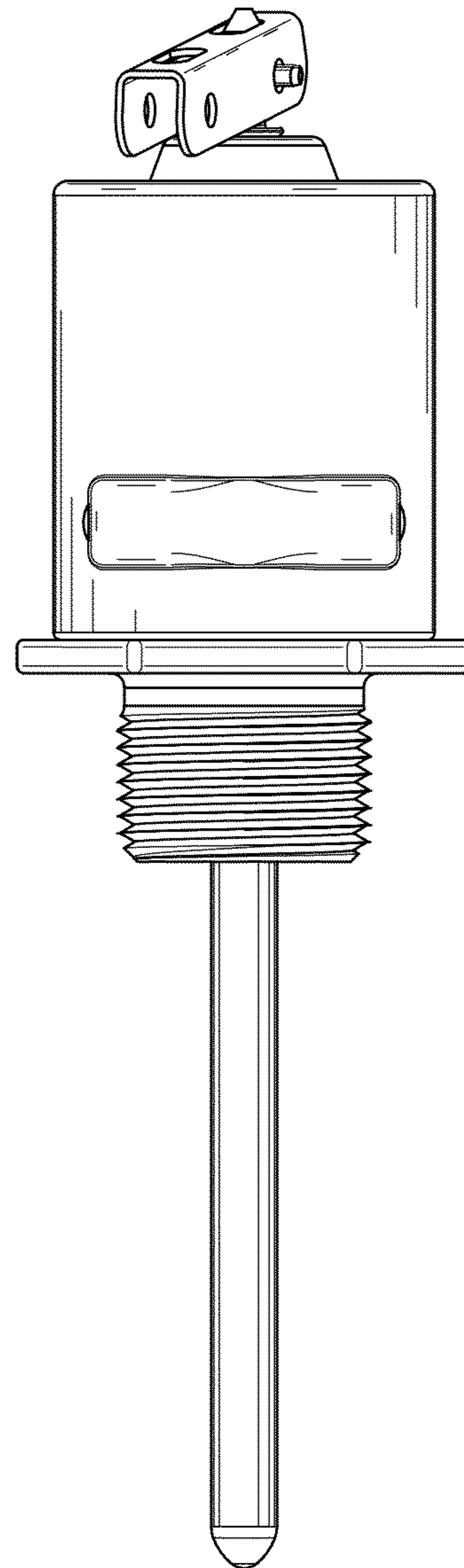


FIG. 3

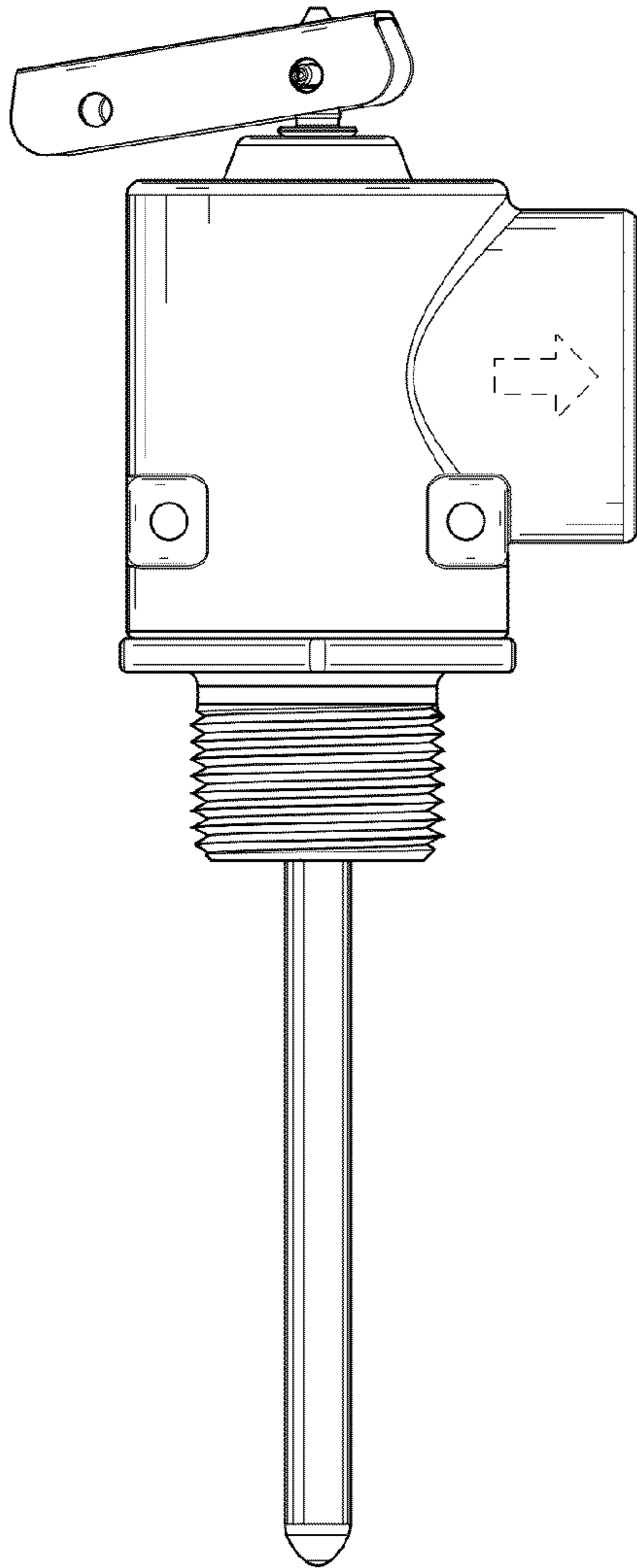


FIG. 4

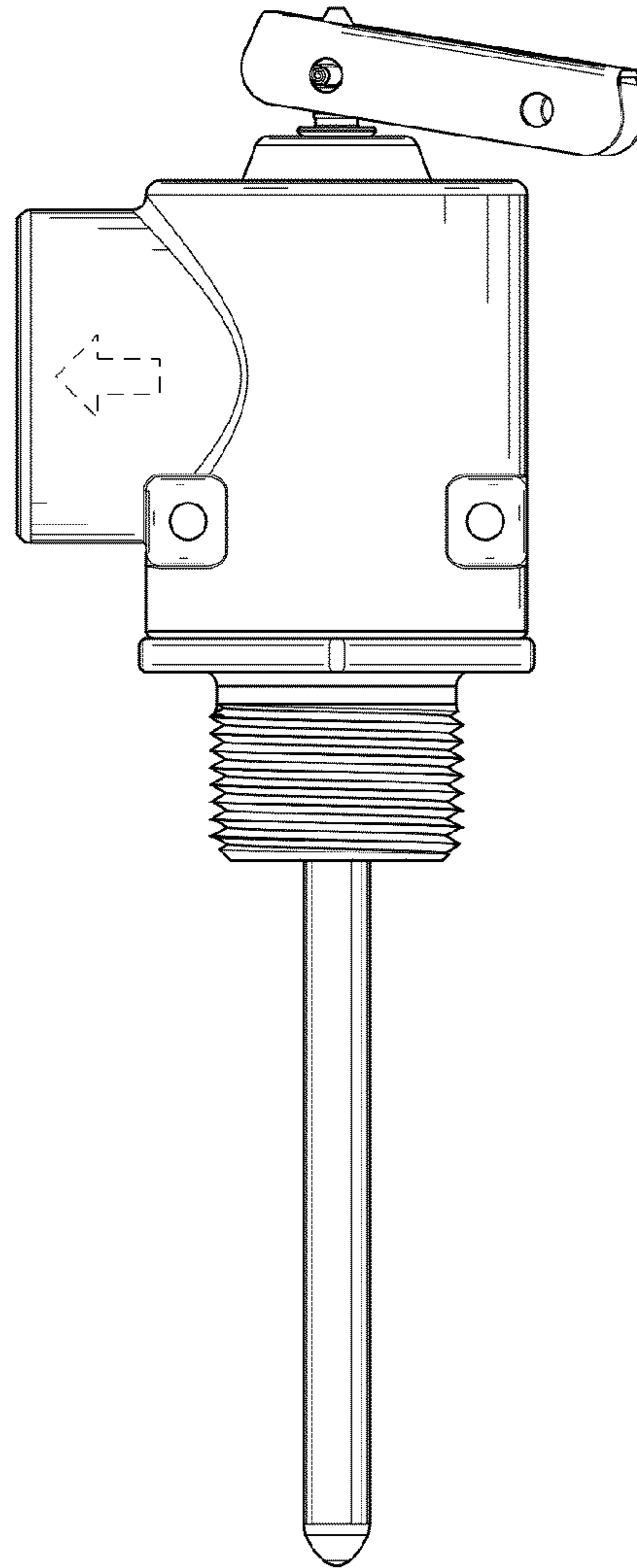


FIG. 5

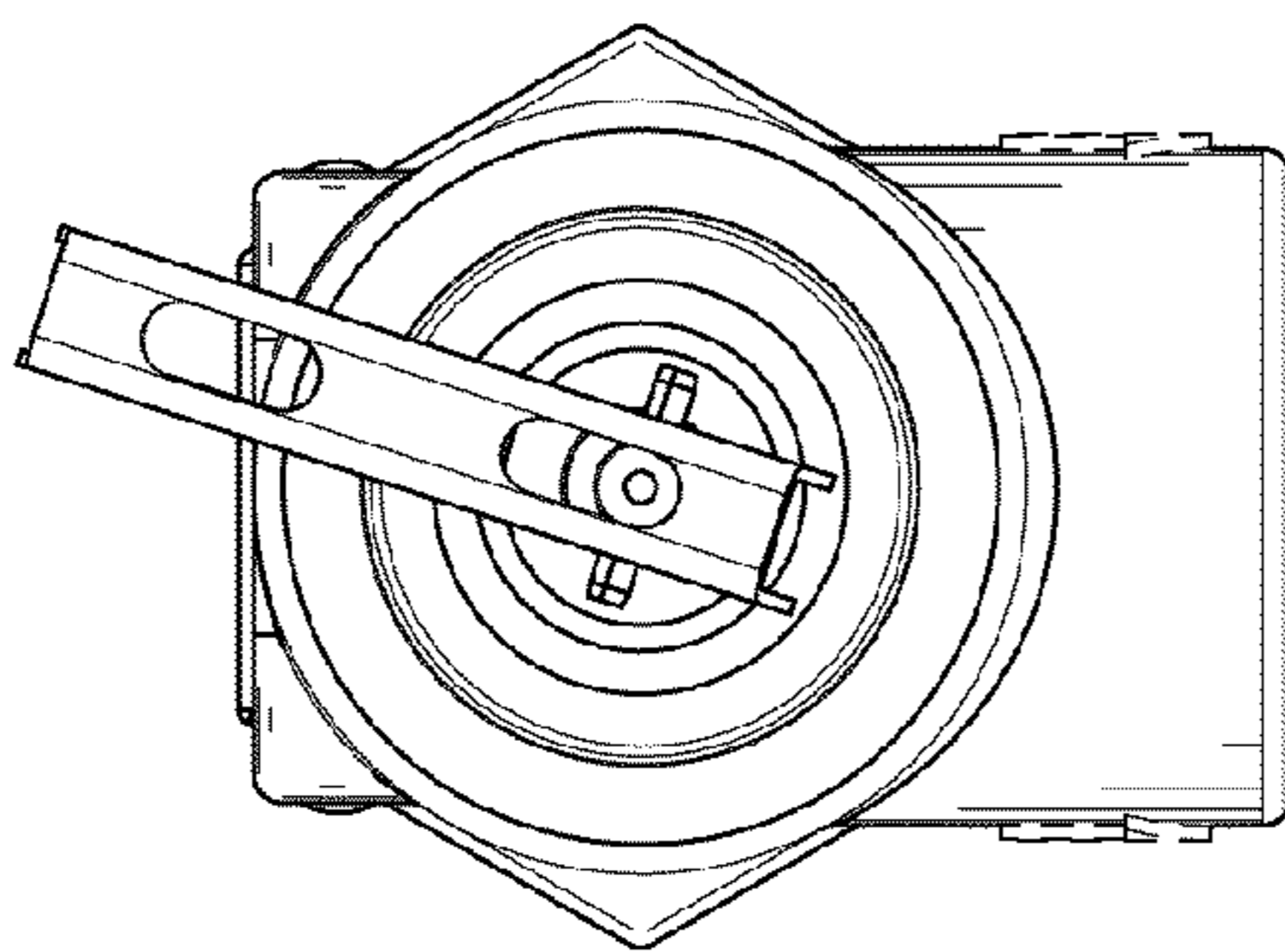


FIG. 6

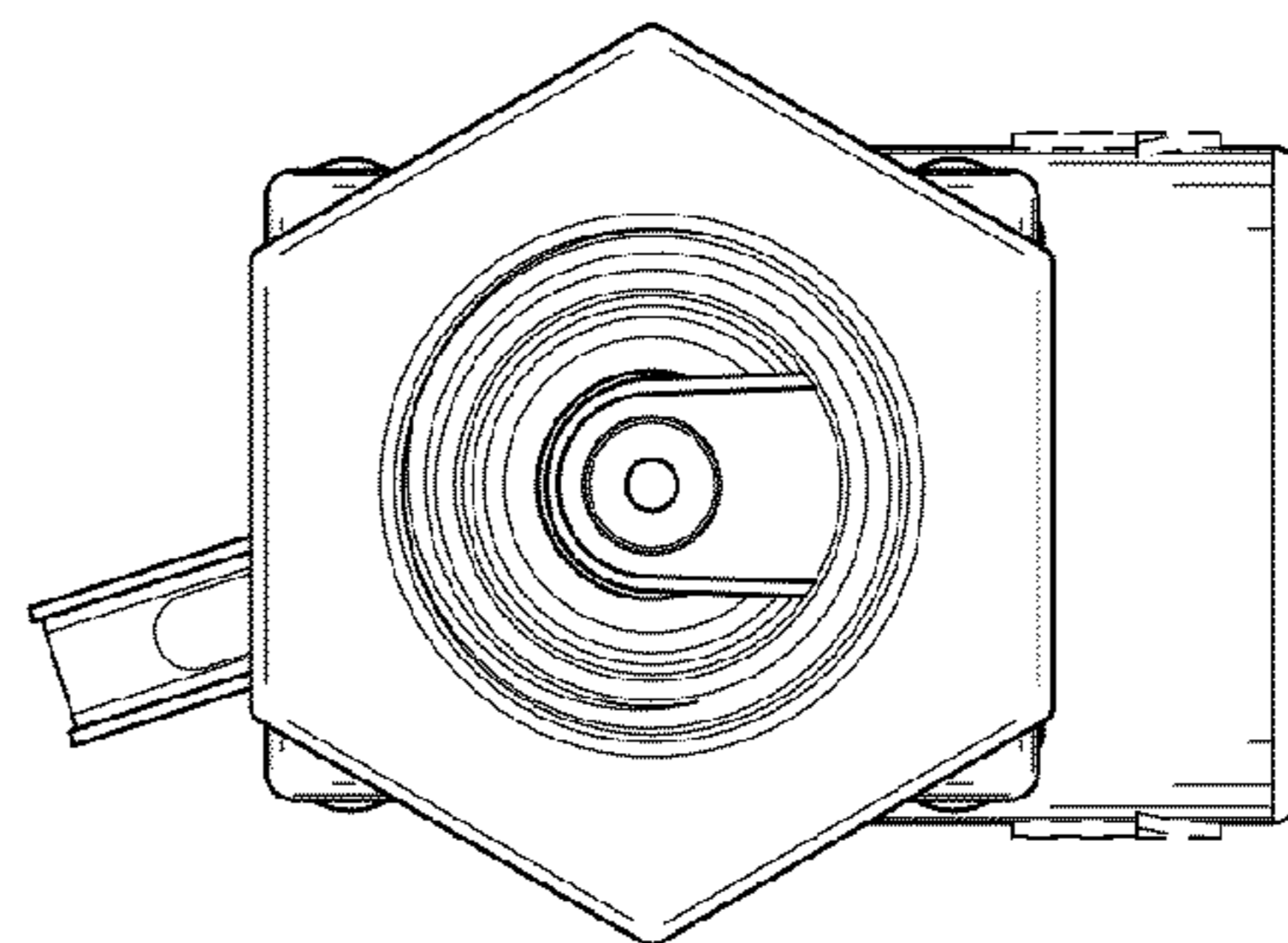


FIG. 7