



US00D693428S

(12) **United States Design Patent**
Tullney et al.

(10) **Patent No.:** **US D693,428 S**

(45) **Date of Patent:** **** Nov. 12, 2013**

(54) **PAINT SPRAYING DEVICE**

(56) **References Cited**

(71) Applicant: **J. Wagner GmbH**, Markdorf (DE)

U.S. PATENT DOCUMENTS

(72) Inventors: **Heiko Tullney**, Hamburg (DE); **Guenter Wissmann**, Schenefeld (DE)

D467,991 S *	12/2002	Ibele	D23/225
D568,962 S *	5/2008	Nathan et al.	D23/225
D633,176 S *	2/2011	Blenkush et al.	D23/225
D664,628 S *	7/2012	Zhou et al.	D23/225
D666,693 S *	9/2012	Perez	D23/225

(73) Assignee: **J. Wagner GmbH**, Markdorf (DE)

* cited by examiner

(**) Term: **14 Years**

Primary Examiner — Robin V Webster

(21) Appl. No.: **29/439,409**

(74) *Attorney, Agent, or Firm* — Burr & Brown

(22) Filed: **Dec. 11, 2012**

(57) **CLAIM**

The ornamental design for a paint spraying device, as shown and described.

(30) **Foreign Application Priority Data**

DESCRIPTION

Jun. 11, 2012 (EM) 002055467

(51) **LOC (9) Cl.** **23-01**

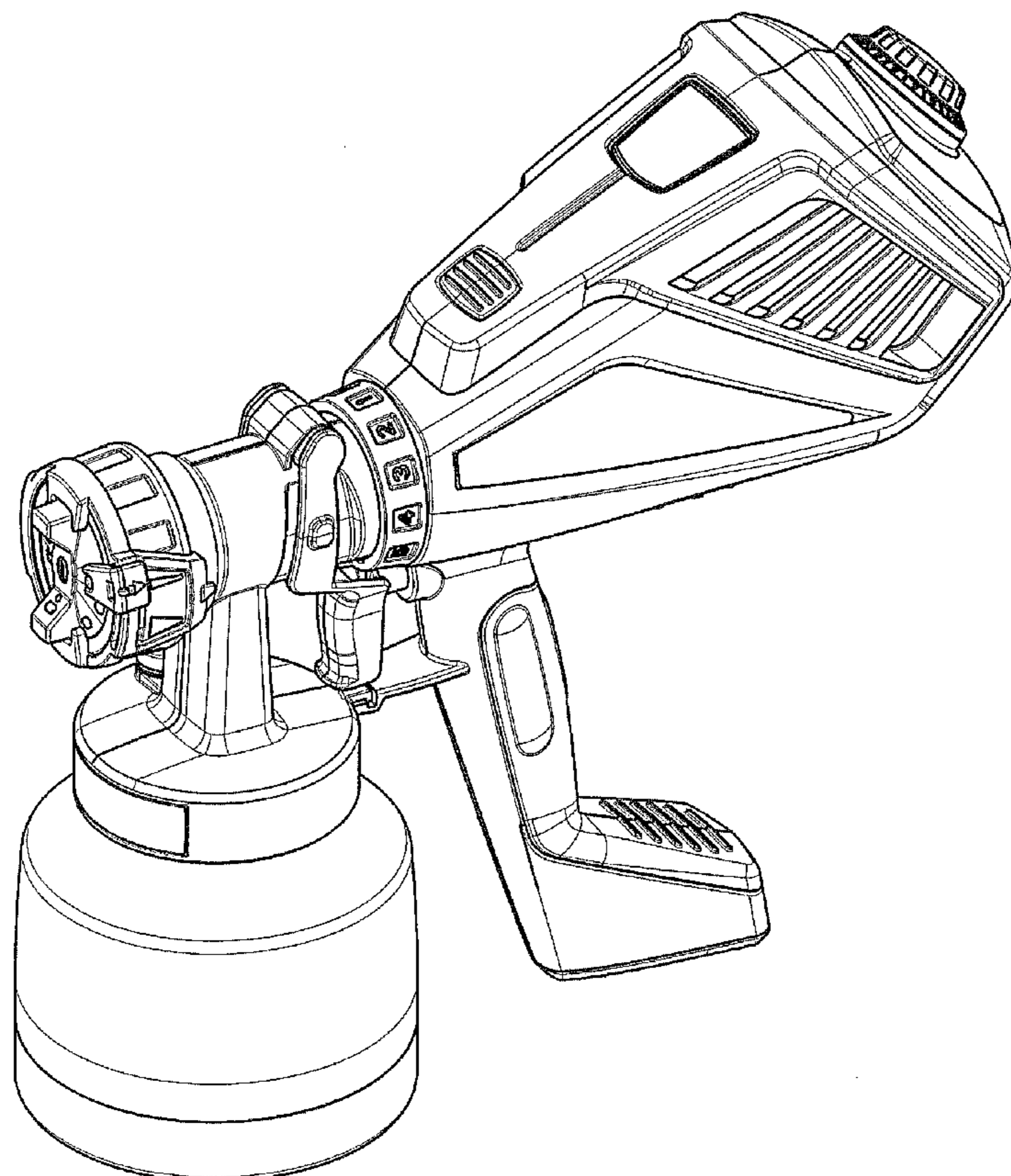
(52) **U.S. Cl.**
USPC **D23/225**

(58) **Field of Classification Search**
USPC D23/213, 223, 225; 222/383.1;
239/302, 332, 310, 308

FIG. 1 is a perspective view of a paint spraying device illustrating our new design;
FIG. 2 a right side view thereof;
FIG. 3 is a left side view thereof;
FIG. 4 is a front view thereof;
FIG. 5 is a rear view thereof;
FIG. 6 is a top view thereof; and,
FIG. 7 is a bottom view thereof.

See application file for complete search history.

1 Claim, 7 Drawing Sheets



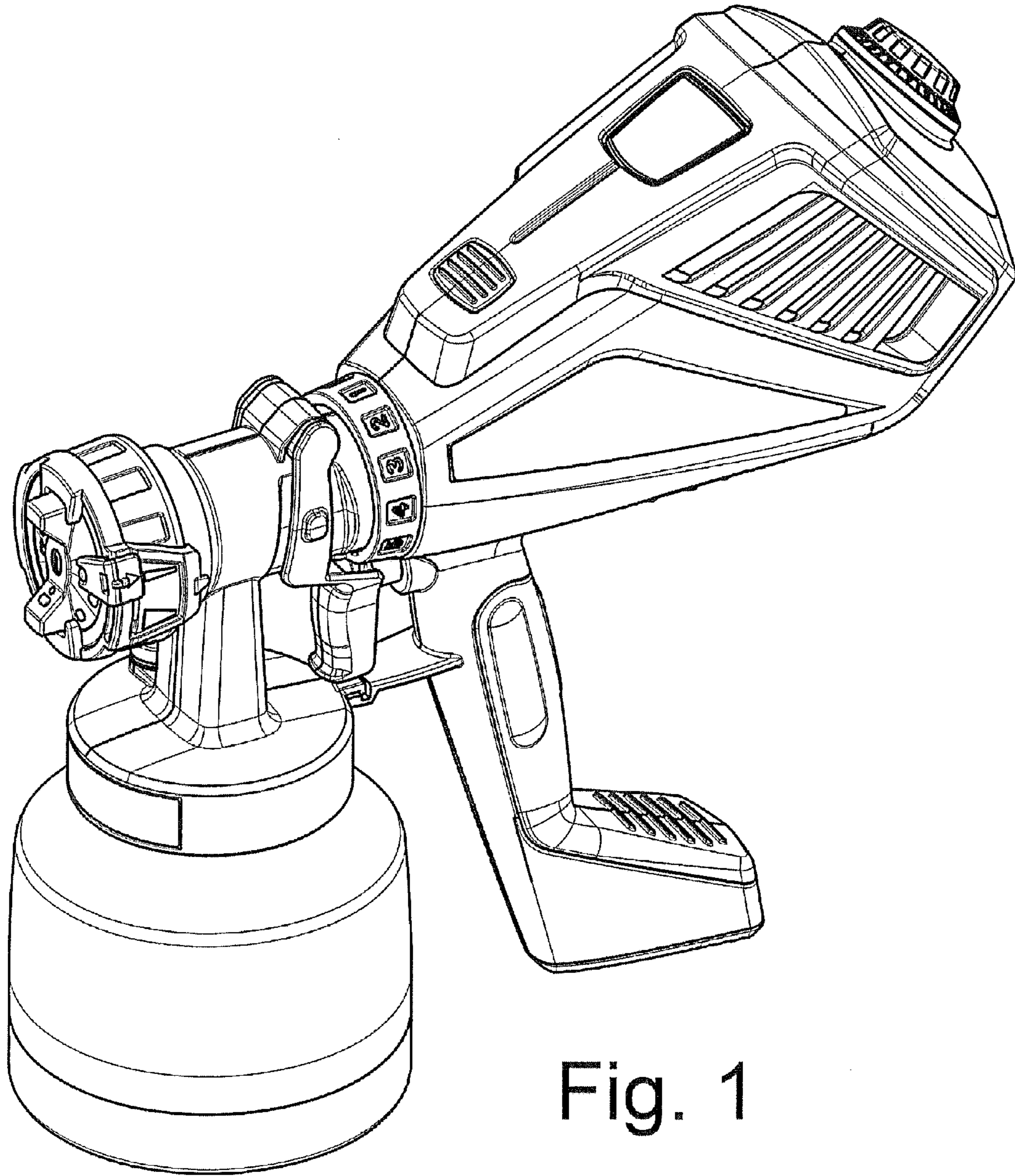


Fig. 1

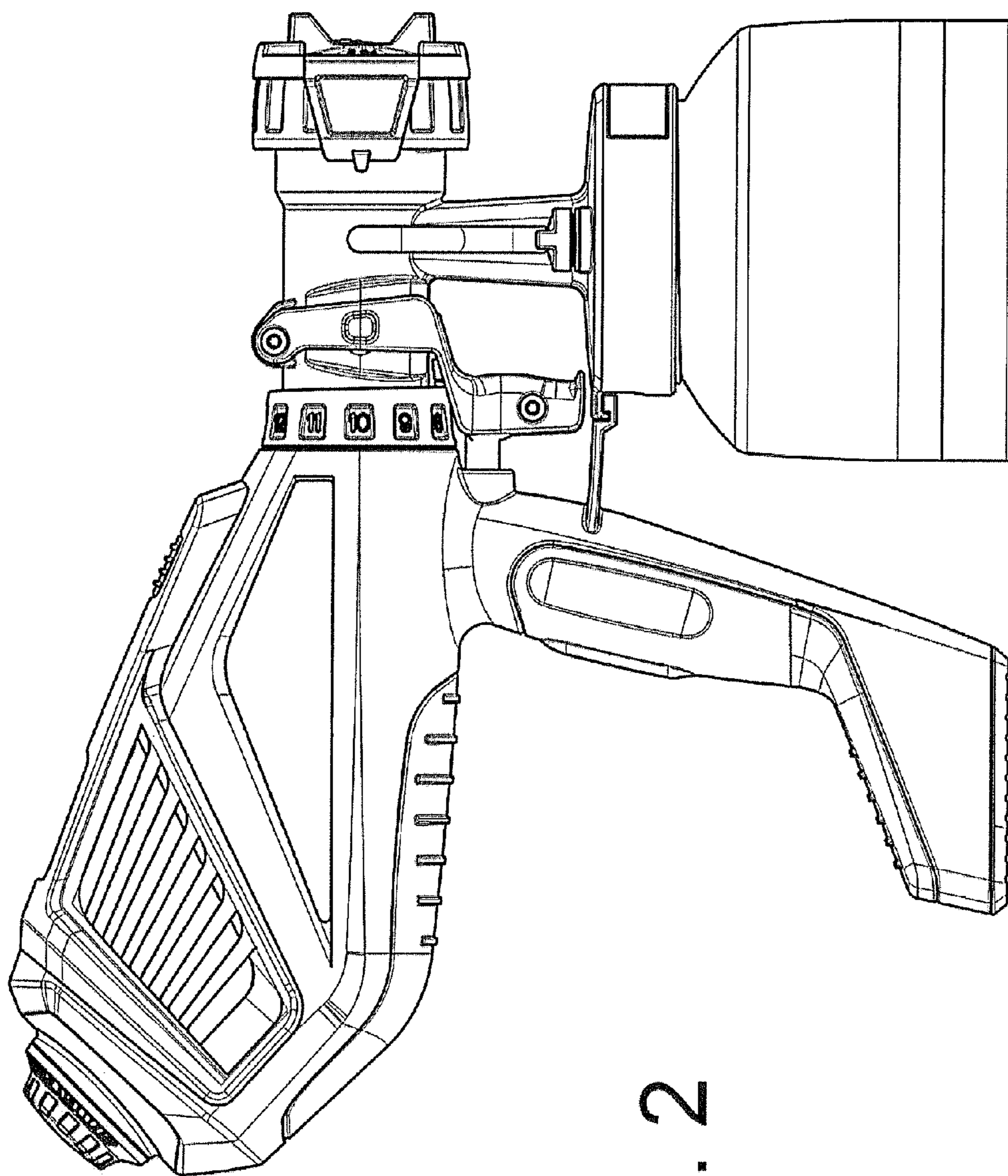


Fig. 2

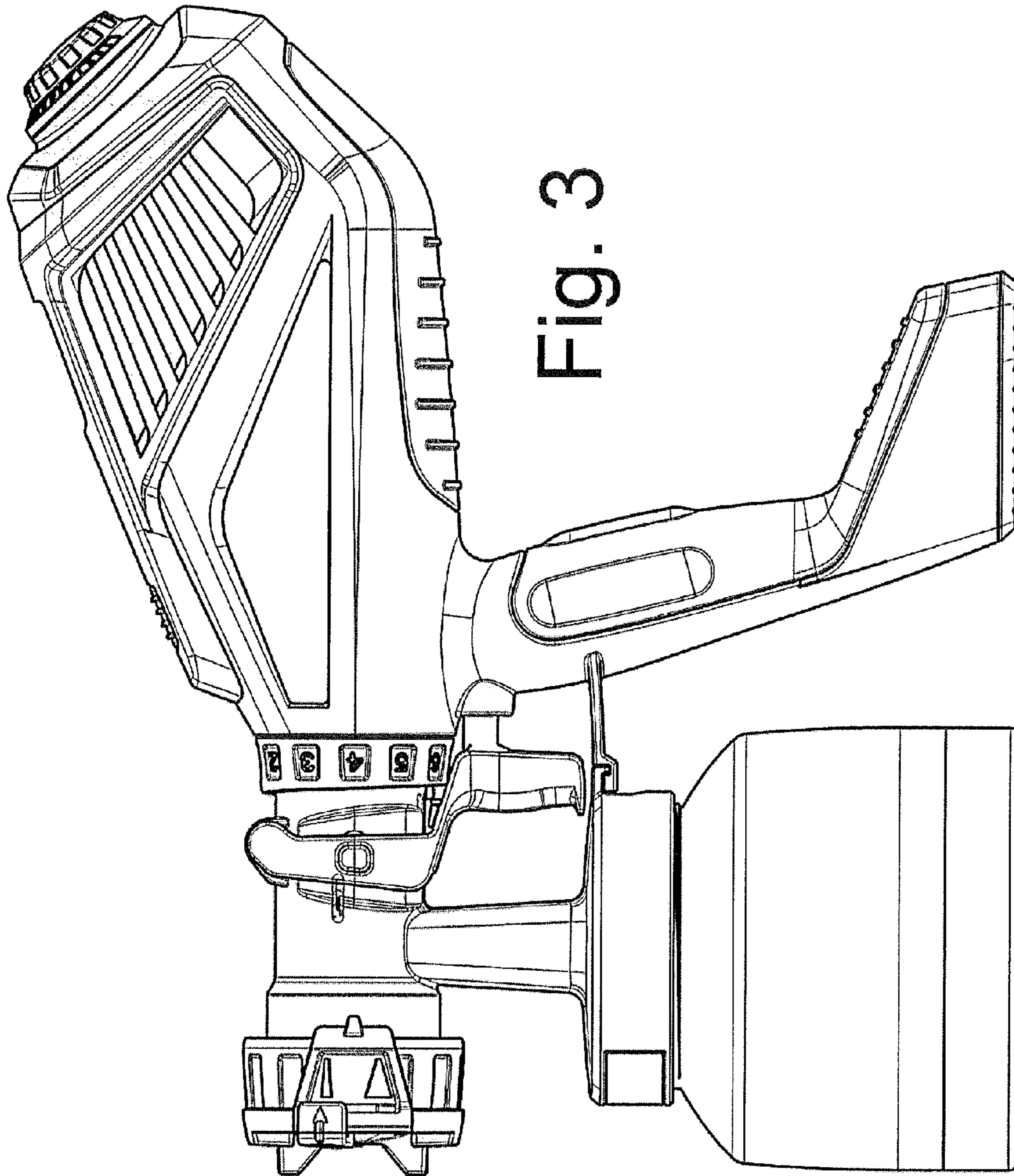


Fig. 3

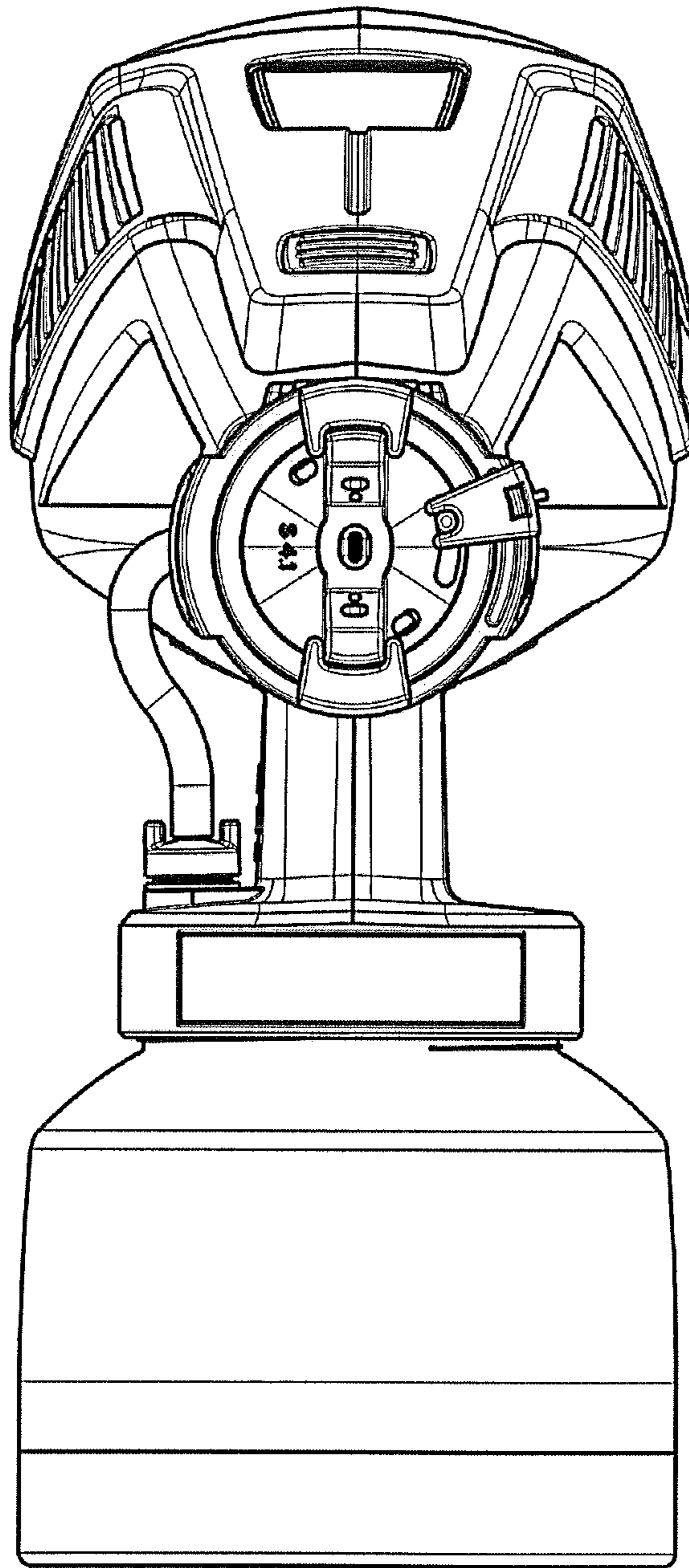


Fig. 4

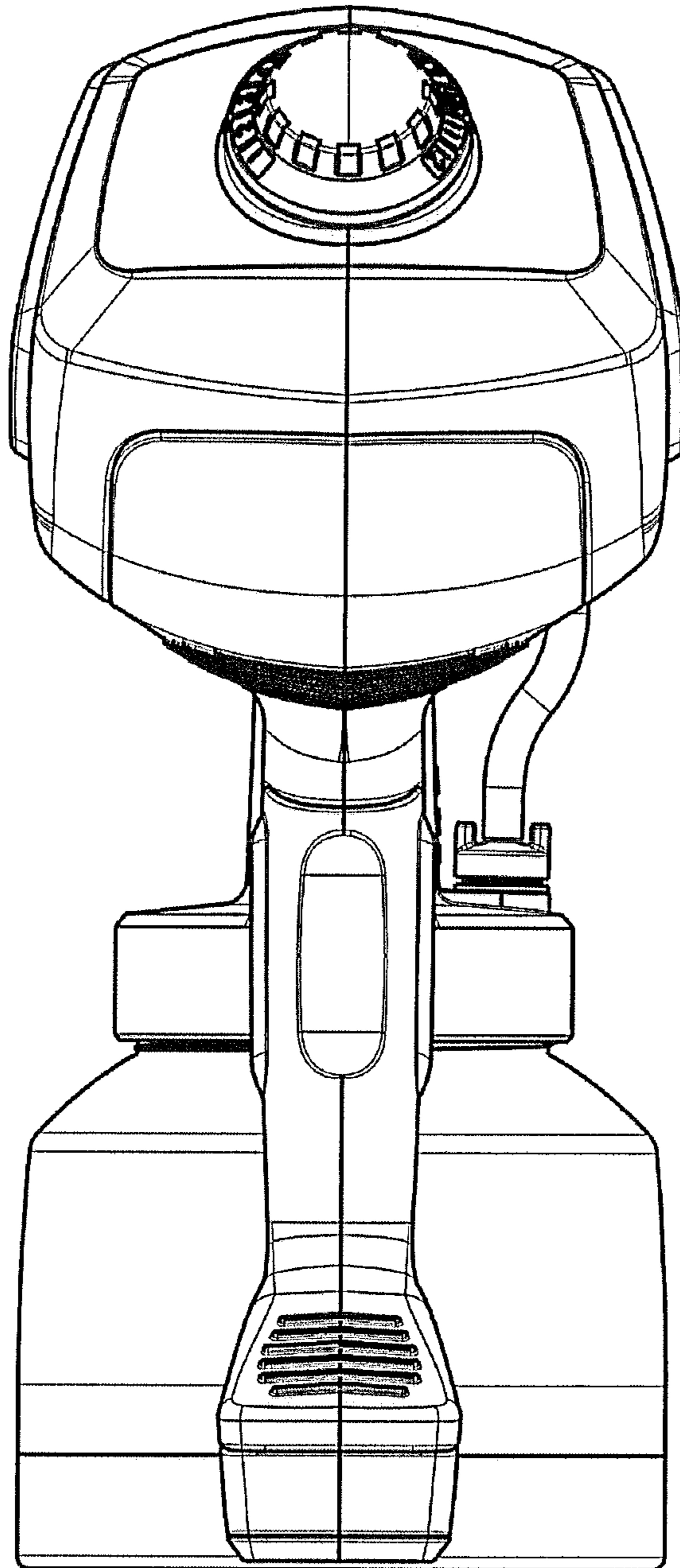


Fig. 5

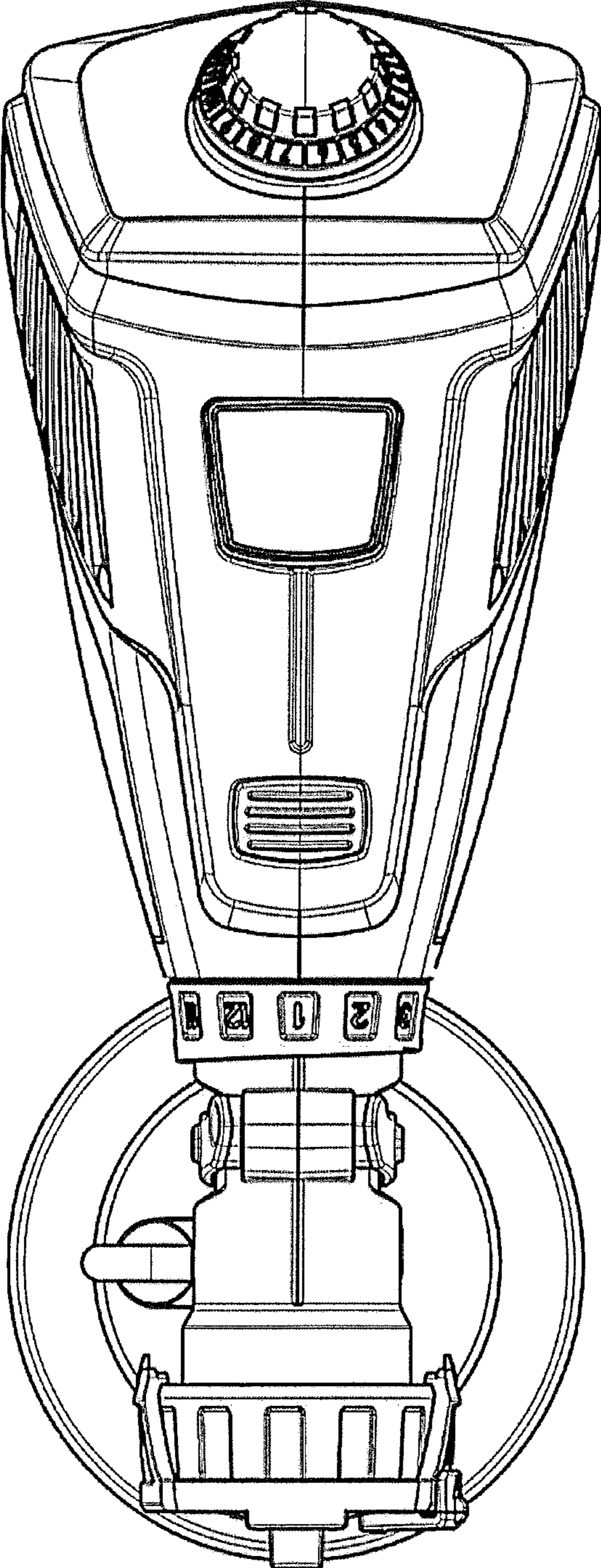


Fig. 6

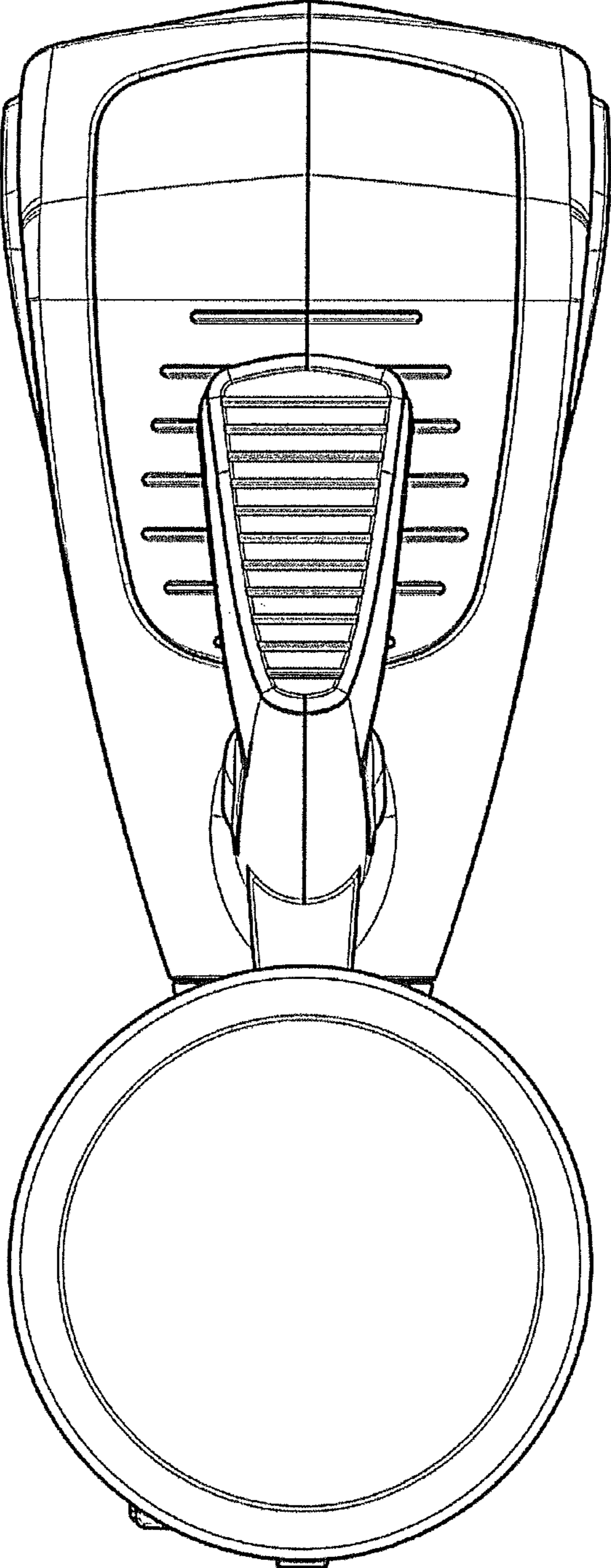


Fig. 7