



US00D693427S

(12) **United States Design Patent**
Jones et al.

(10) **Patent No.:** **US D693,427 S**

(45) **Date of Patent:** **** Nov. 12, 2013**

(54) **FILTER AERATOR**

(75) Inventors: **Chad H. Jones**, Frisco, TX (US); **Justin D. Pendleton**, The Colony, TX (US)

(73) Assignee: **Danco, Inc.**, Irving, TX (US)

(**) Term: **14 Years**

(21) Appl. No.: **29/420,685**

(22) Filed: **May 11, 2012**

(51) **LOC (9) Cl.** **23-01**

(52) **U.S. Cl.**
USPC **D23/213**

(58) **Field of Classification Search**
USPC D23/213, 249; 239/428.5, 437;
261/DIG. 22

See application file for complete search history.

(56) **References Cited**

U.S. PATENT DOCUMENTS

D191,975 S * 12/1961 Lehman D23/213
D195,324 S * 5/1963 Gloor D23/213

D231,929 S * 6/1974 Ranson D23/213
D322,837 S * 12/1991 Woodruff D23/213
D529,140 S * 9/2006 Grether D23/249
D539,872 S * 4/2007 Grether D23/249
D641,834 S * 7/2011 Blum D23/249

* cited by examiner

Primary Examiner — Robin V Webster

(74) *Attorney, Agent, or Firm* — Monty L. Ross; Robin L. Barnes; Ross Barnes LLP

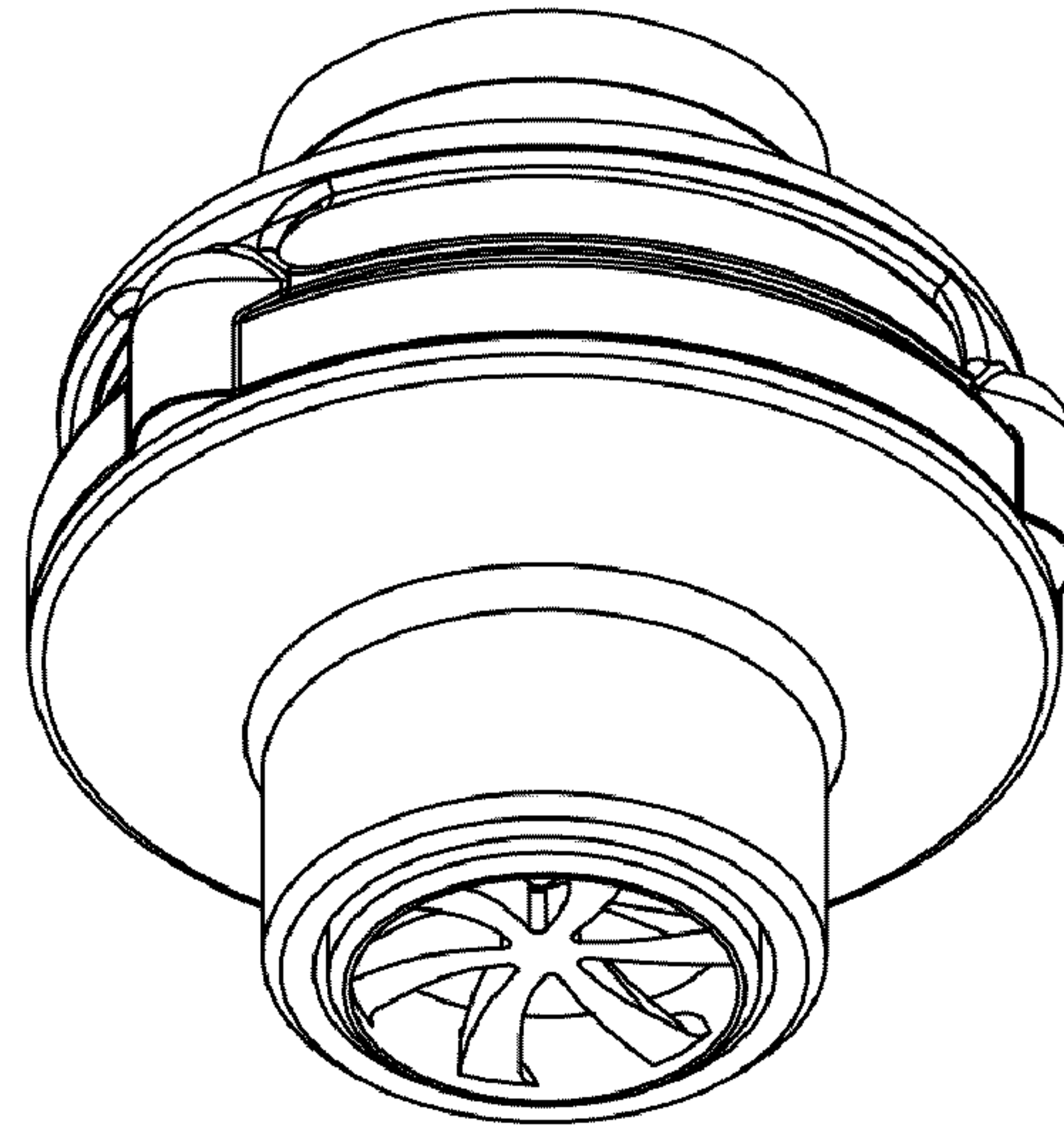
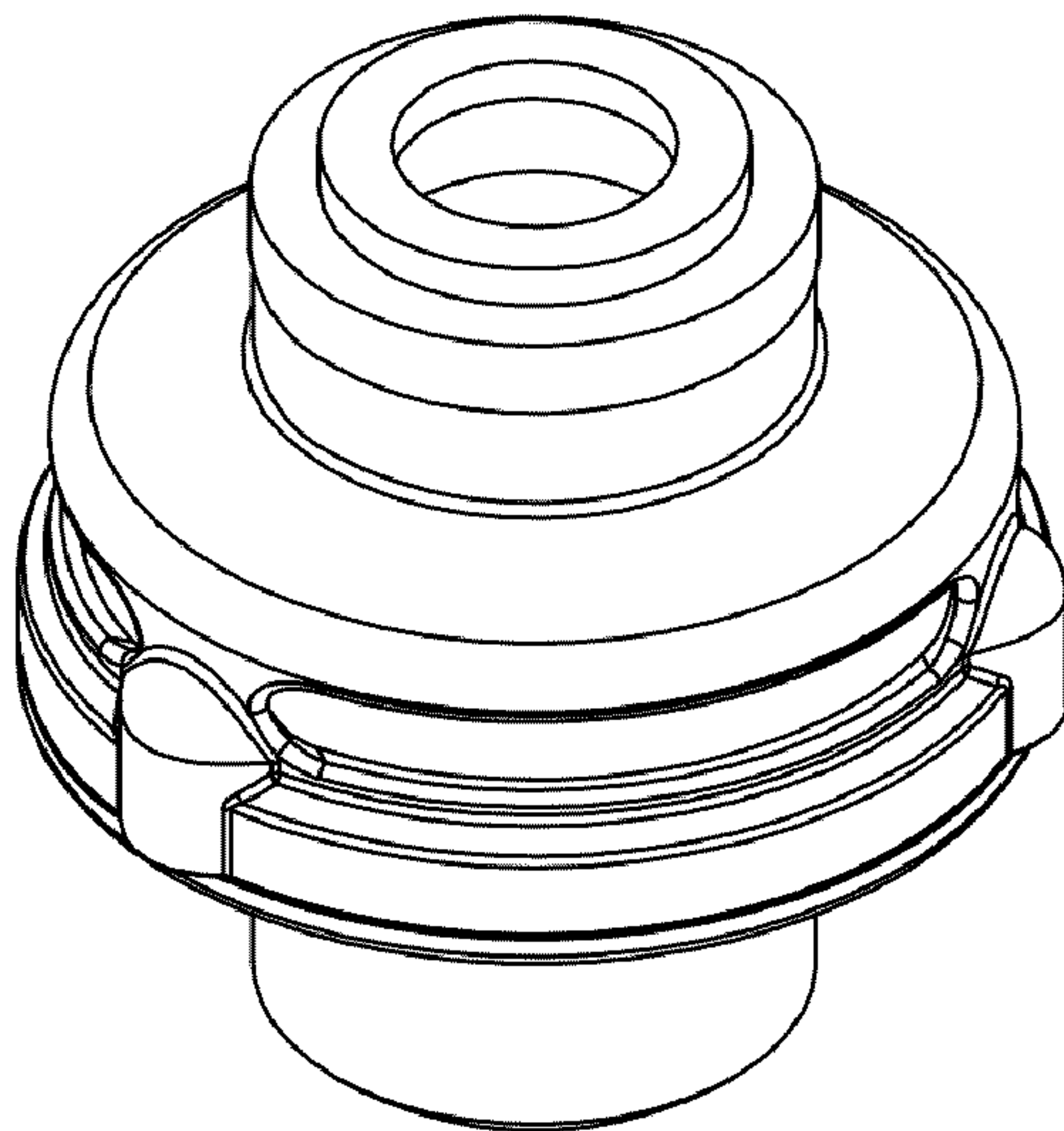
(57) **CLAIM**

The ornamental design for a filter aerator, as shown and described.

DESCRIPTION

FIG. 1 is a top front perspective view;
FIG. 2 is a bottom front perspective view;
FIG. 3 is a front elevation view;
FIG. 4 is a rear elevation view;
FIG. 5 is a left side elevation view; and,
FIG. 6 is a right side elevation view.

1 Claim, 4 Drawing Sheets



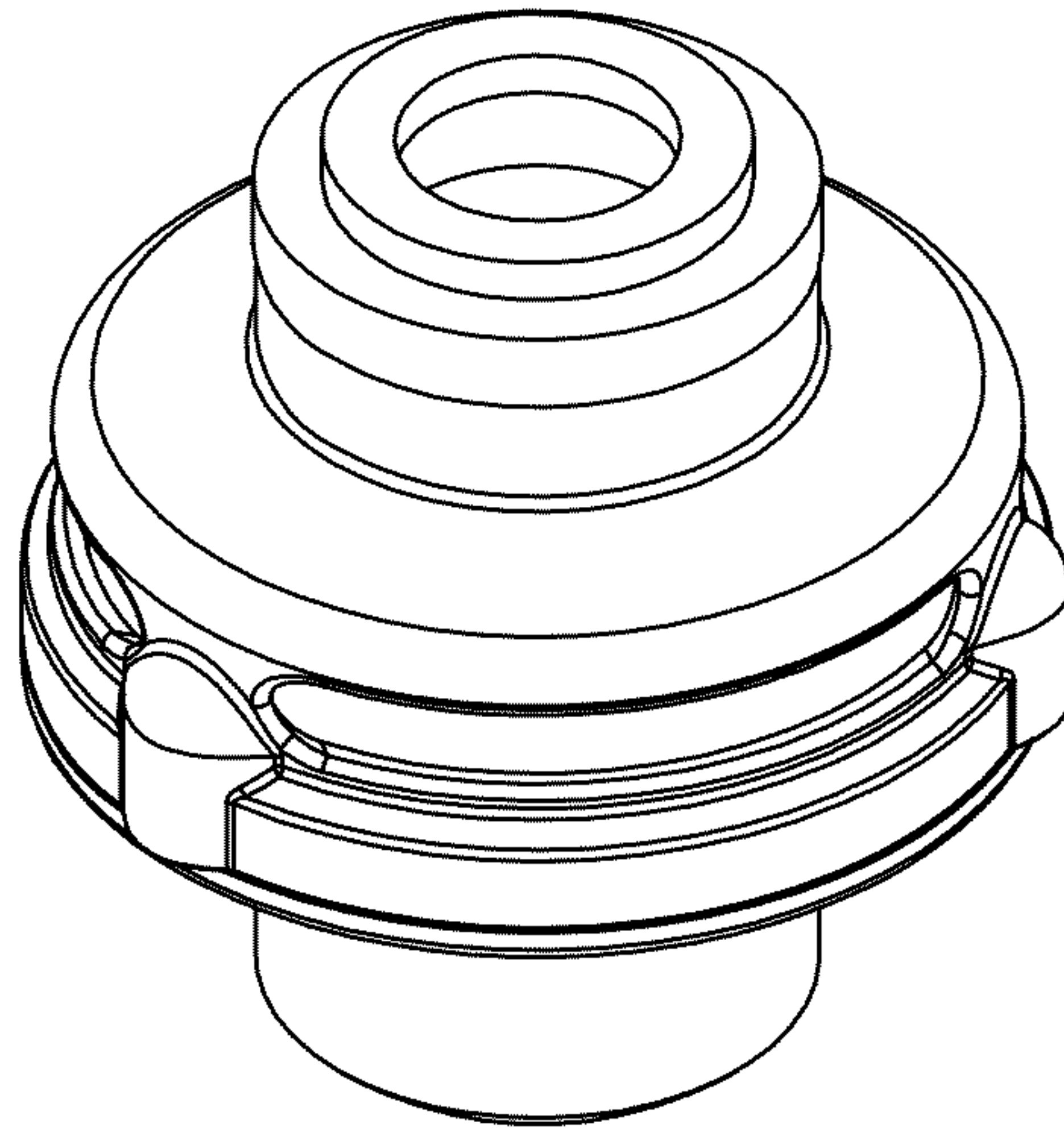


FIG. 1

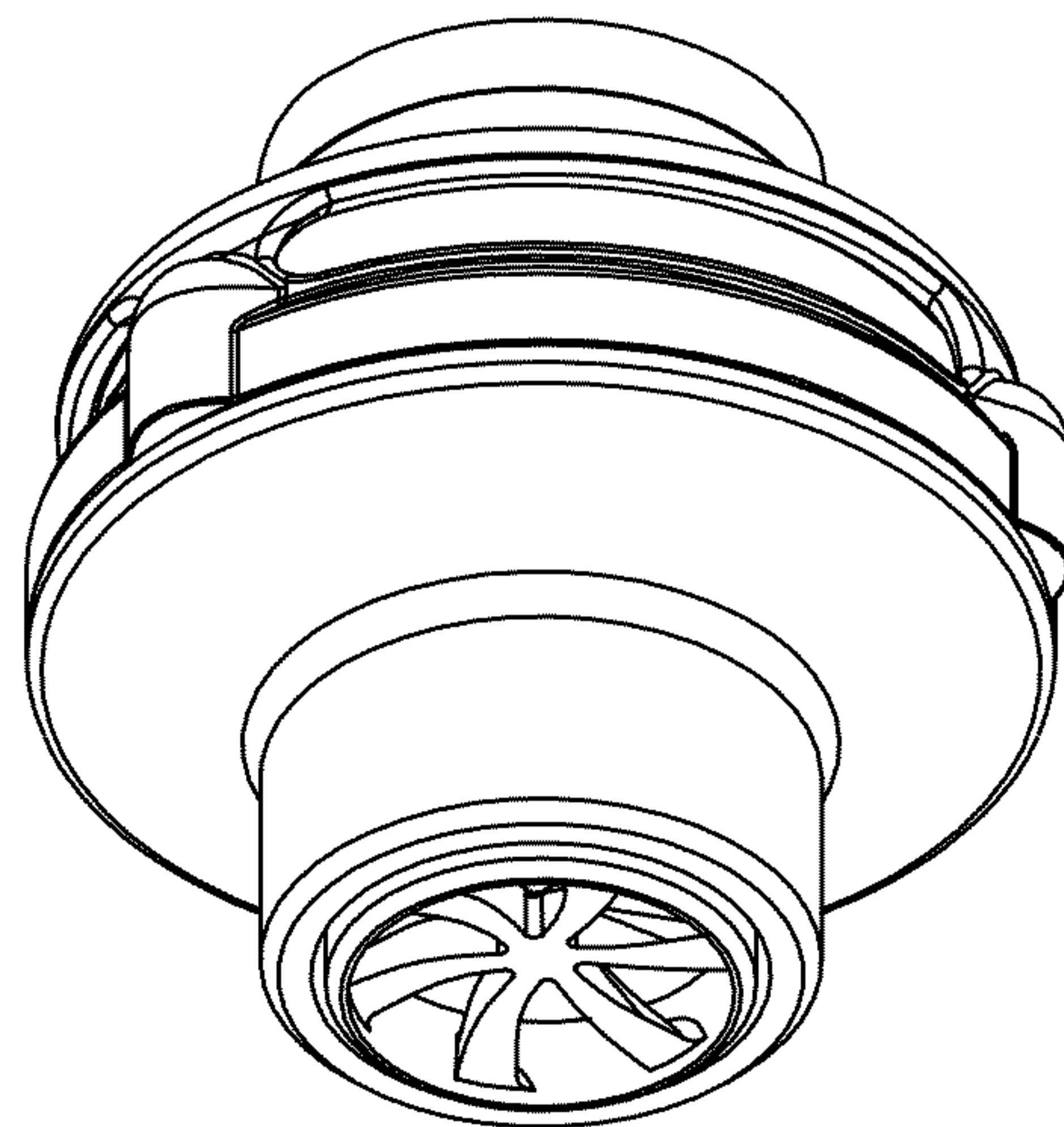


FIG. 2

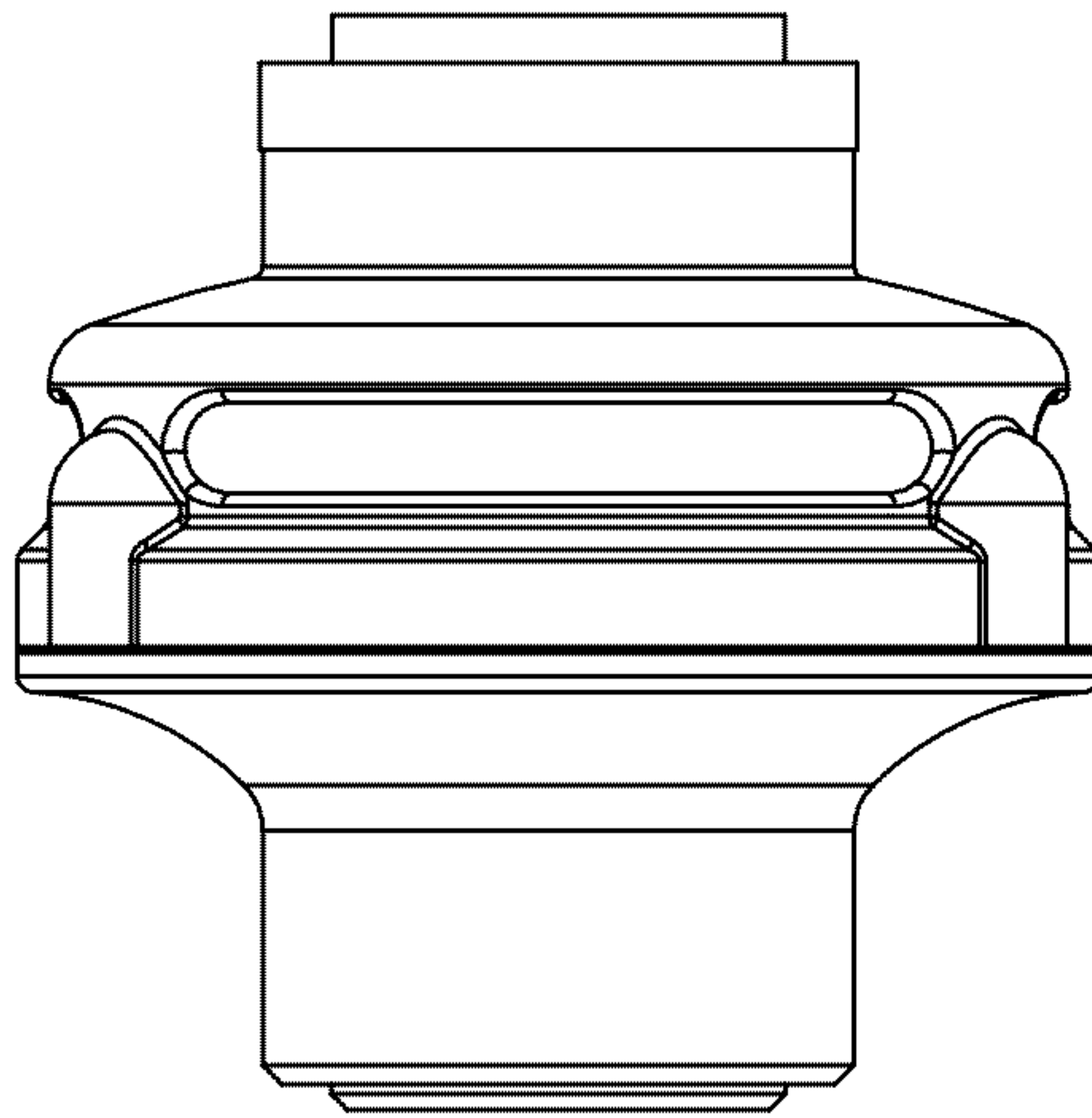


FIG. 3

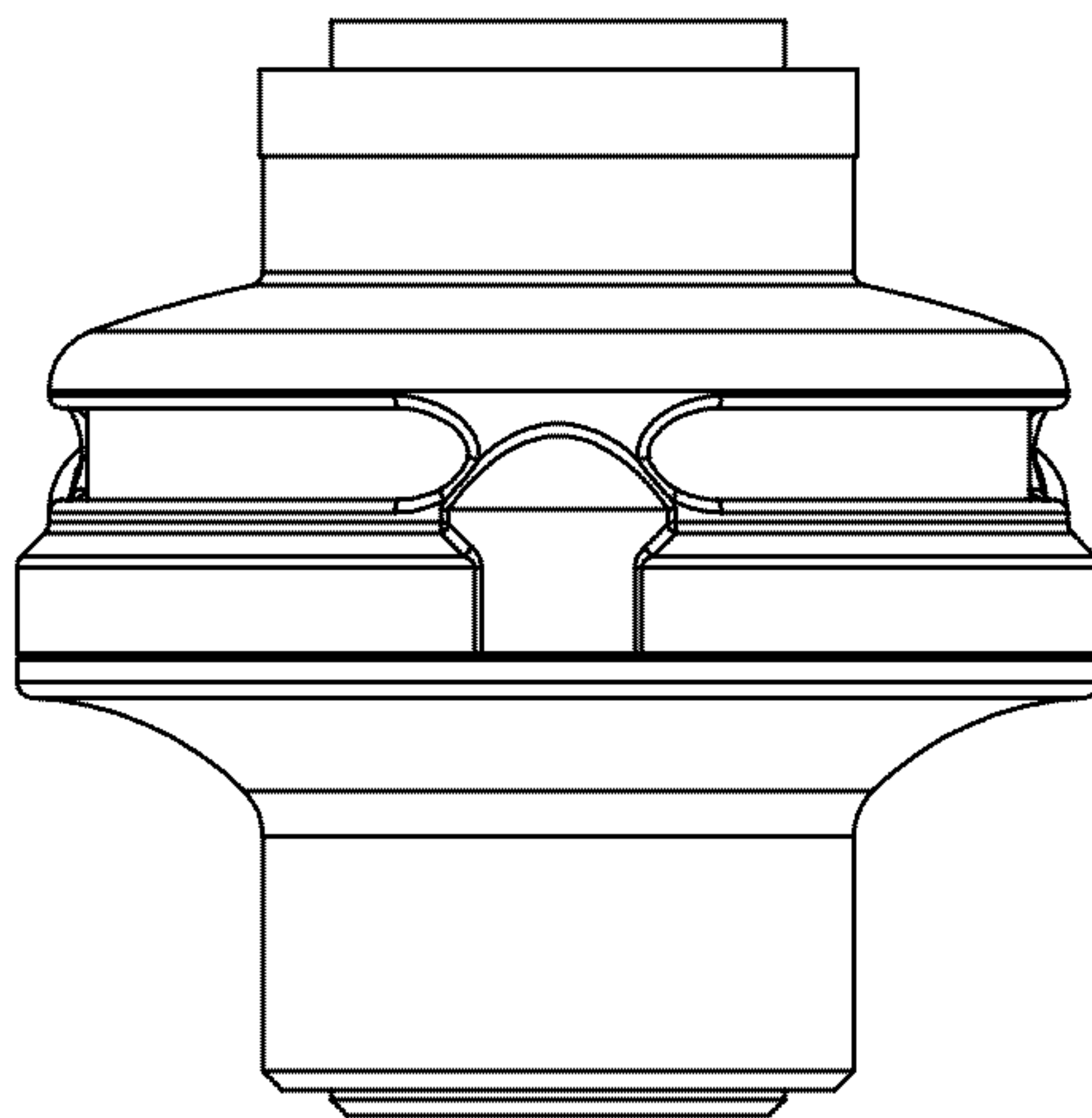


FIG. 4

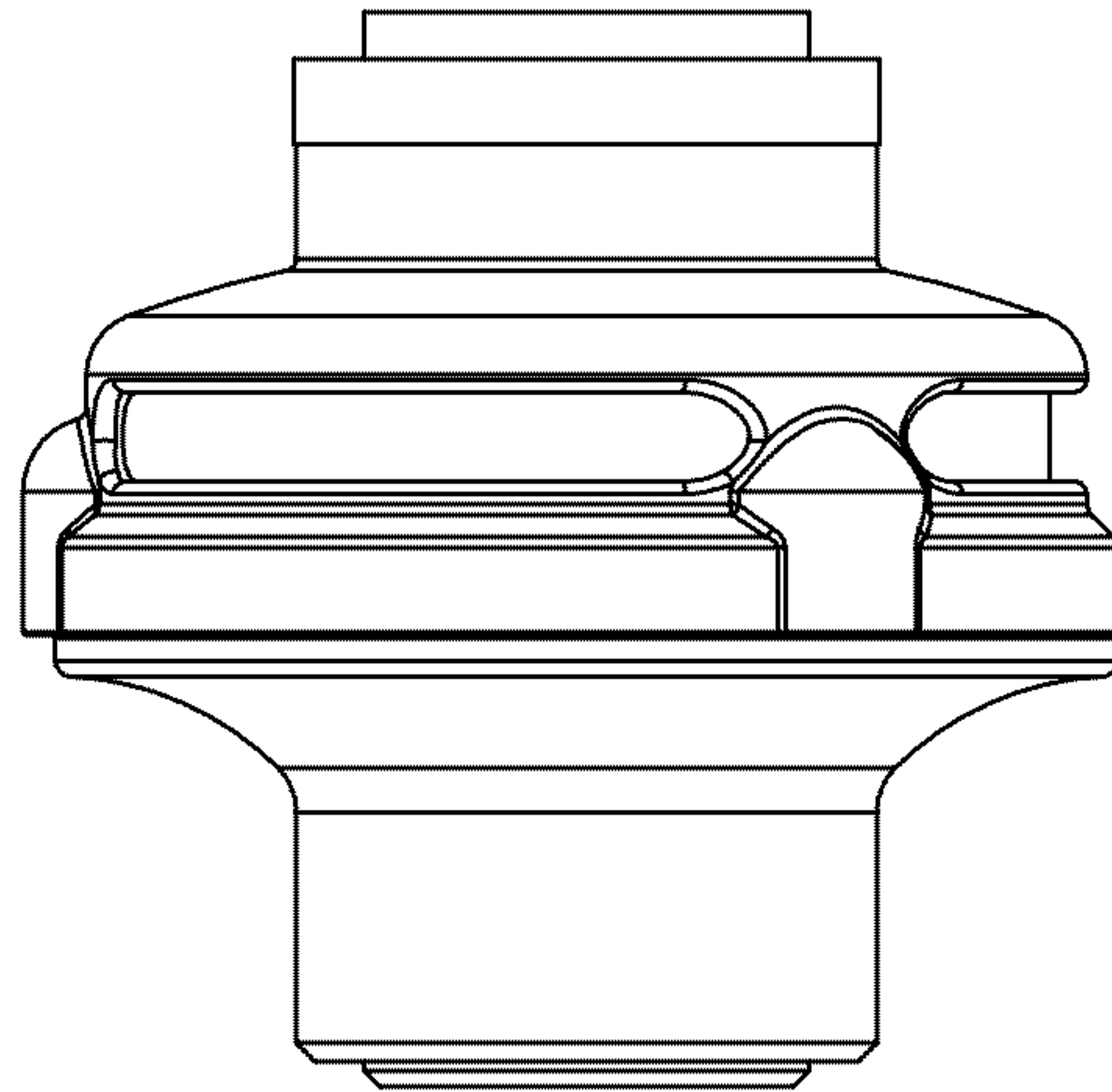


FIG. 5

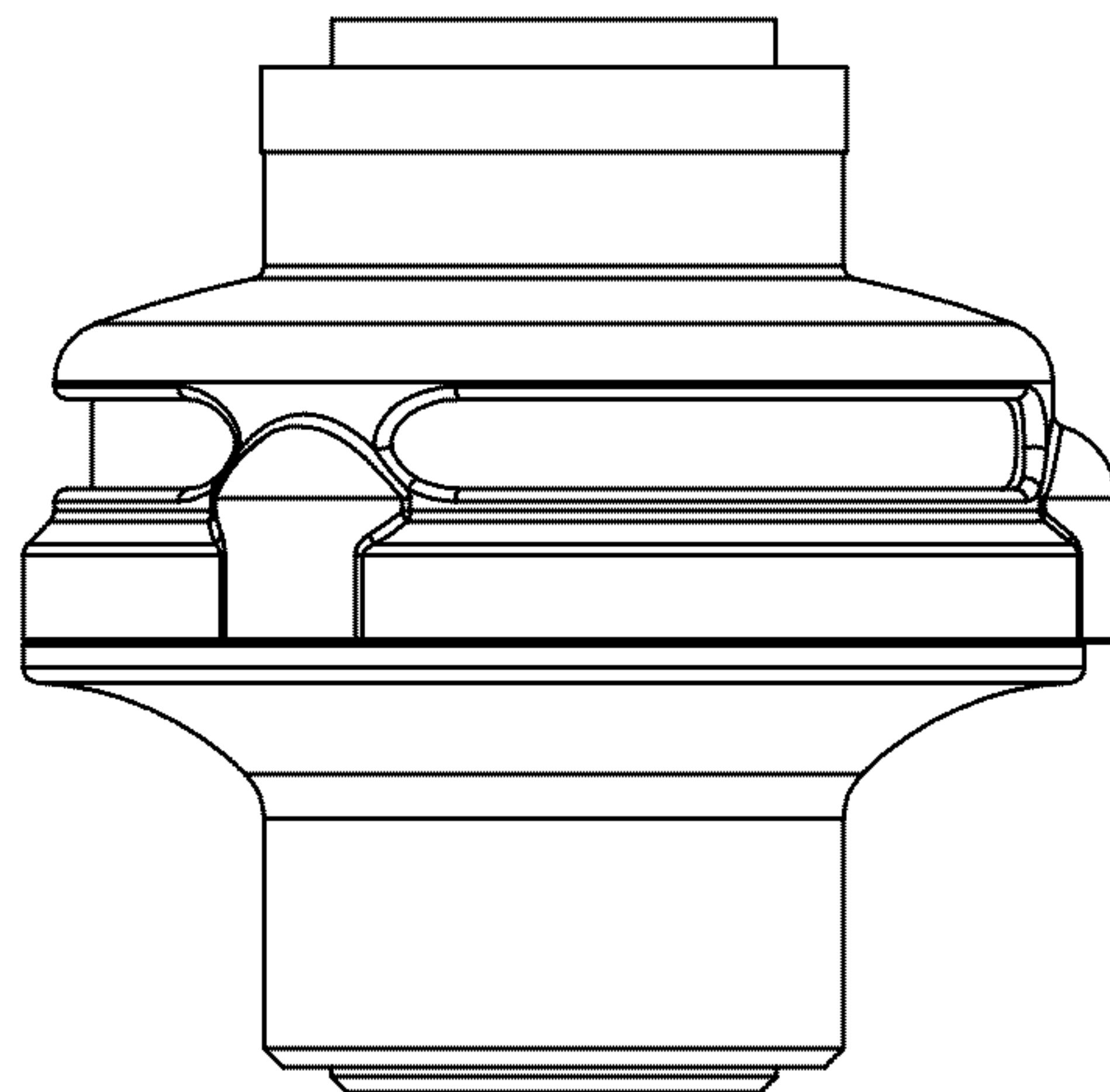


FIG. 6

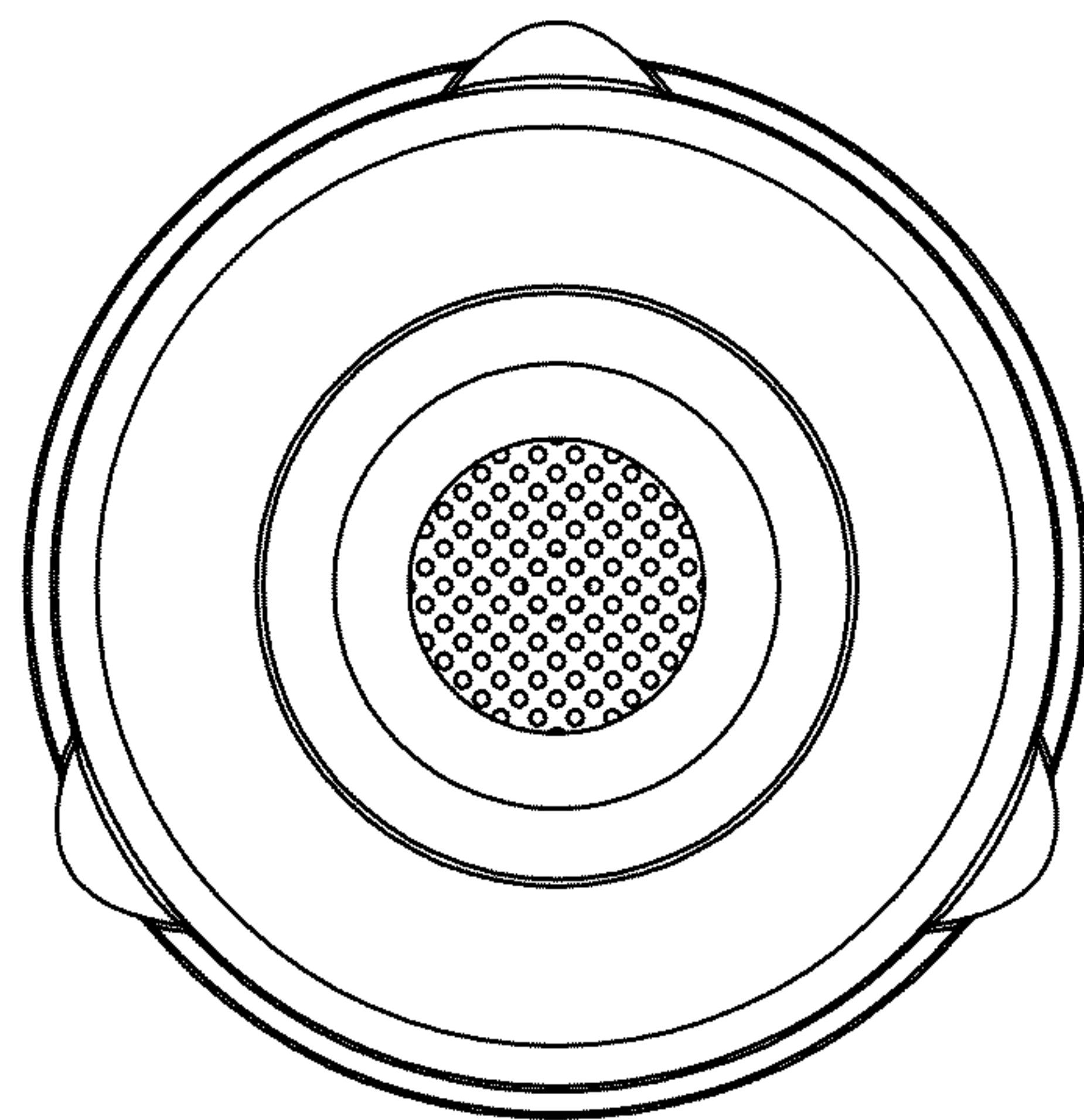


FIG. 7

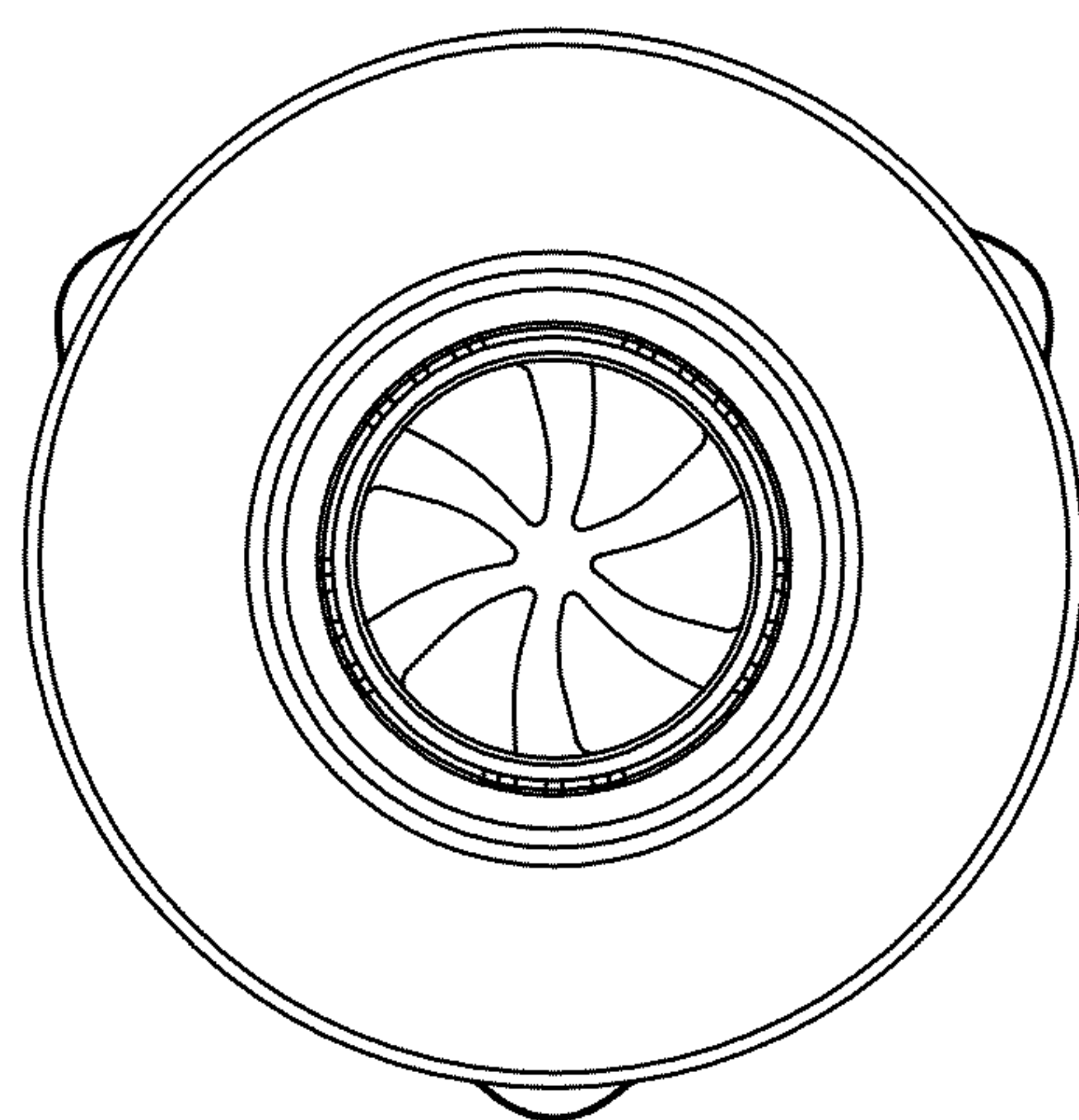


FIG. 8