



US00D693424S

(12) **United States Design Patent**  
**Wristen**

(10) **Patent No.:** **US D693,424 S**

(45) **Date of Patent:** **\*\* Nov. 12, 2013**

(54) **DETACHABLE FOREGRIP**

(76) **Inventor:** **James Charles Wristen**, Elverta, CA  
(US)

(\*\*) **Term:** **14 Years**

(21) **Appl. No.:** **29/427,442**

(22) **Filed:** **Jul. 18, 2012**

(51) **LOC (9) Cl.** ..... **22-01**

(52) **U.S. Cl.**  
USPC ..... **D22/108**

(58) **Field of Classification Search**  
USPC ..... D22/100, 108, 199; D8/68;  
42/71.01-74

See application file for complete search history.

(56) **References Cited**

**U.S. PATENT DOCUMENTS**

2,471,276	A	7/1946	Manville	
2,769,191	A *	11/1956	Hunt et al.	15/104.33
D470,379	S *	2/2003	Andriolo	D8/68
6,782,789	B2 *	8/2004	McNulty, Jr.	89/1.11
7,937,875	B1	5/2011	Berg	
D660,934	S *	5/2012	Faifer	D22/108
2009/0313873	A1	12/2009	Roth	

2010/0229448	A1	9/2010	Houde-Walter et al.
2011/0107643	A1	5/2011	Fitzpatrick
2012/0055061	A1	3/2012	Hartley
2012/0117844	A1	5/2012	Sweet

\* cited by examiner

*Primary Examiner* — Michael A Pratt

(74) *Attorney, Agent, or Firm* — QuickPatents; Kevin Prince

(57) **CLAIM**

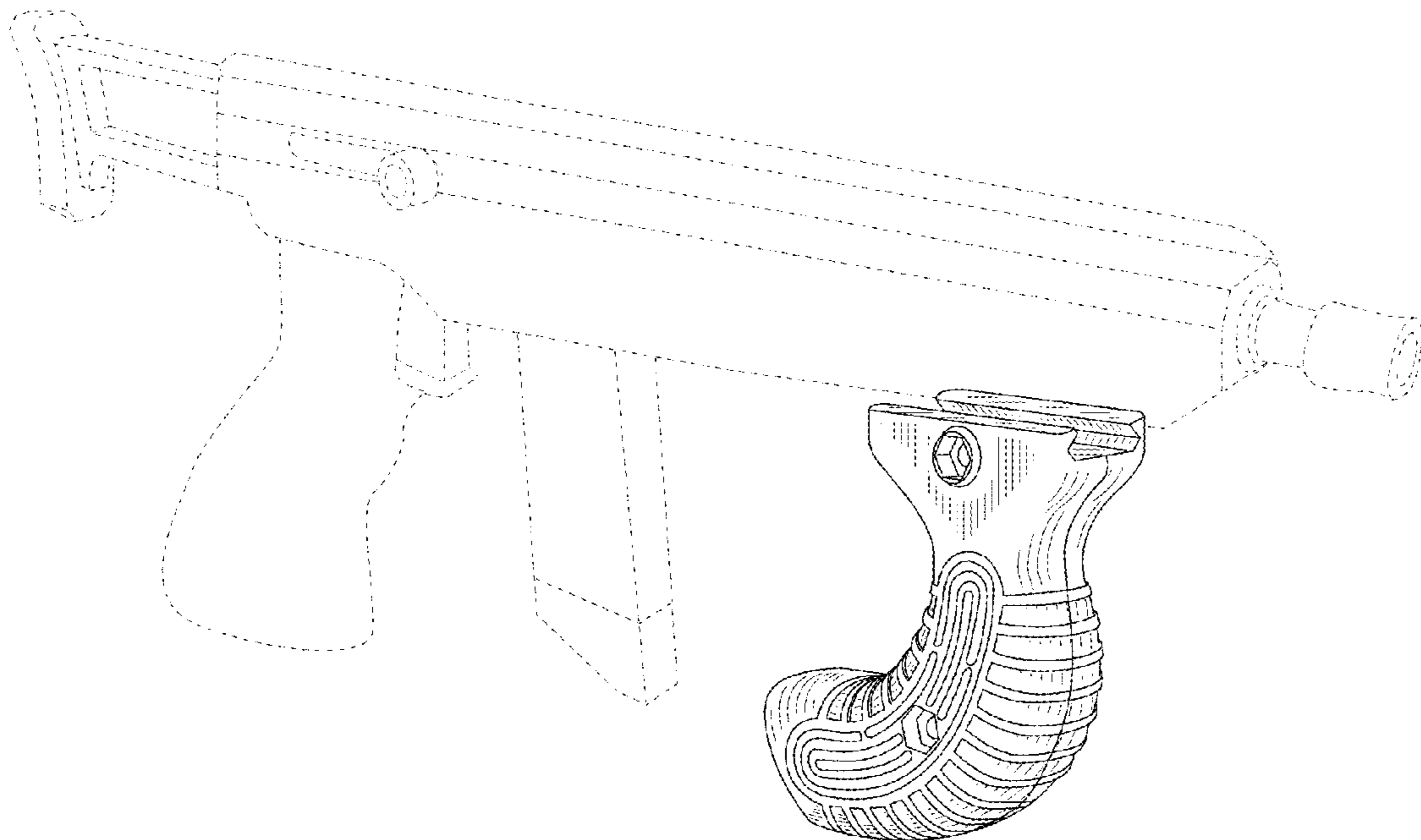
I claim the ornamental design for a detachable foregrip, as shown and described.

**DESCRIPTION**

FIG. 1 is a front perspective view of a detachable foregrip, showing my new design;  
 FIG. 2 is a front elevational view thereof;  
 FIG. 3 is a rear elevational view thereof;  
 FIG. 4 is a right-side elevational view thereof;  
 FIG. 5 is a left-side elevational view thereof;  
 FIG. 6 is a top plan view thereof;  
 FIG. 7 is a bottom plan view thereof; and,  
 FIG. 8 is a rear perspective view thereof.

The broken lines showing a gun in FIG. 1 depict environmental matter and form no part of the claimed design.

**1 Claim, 2 Drawing Sheets**



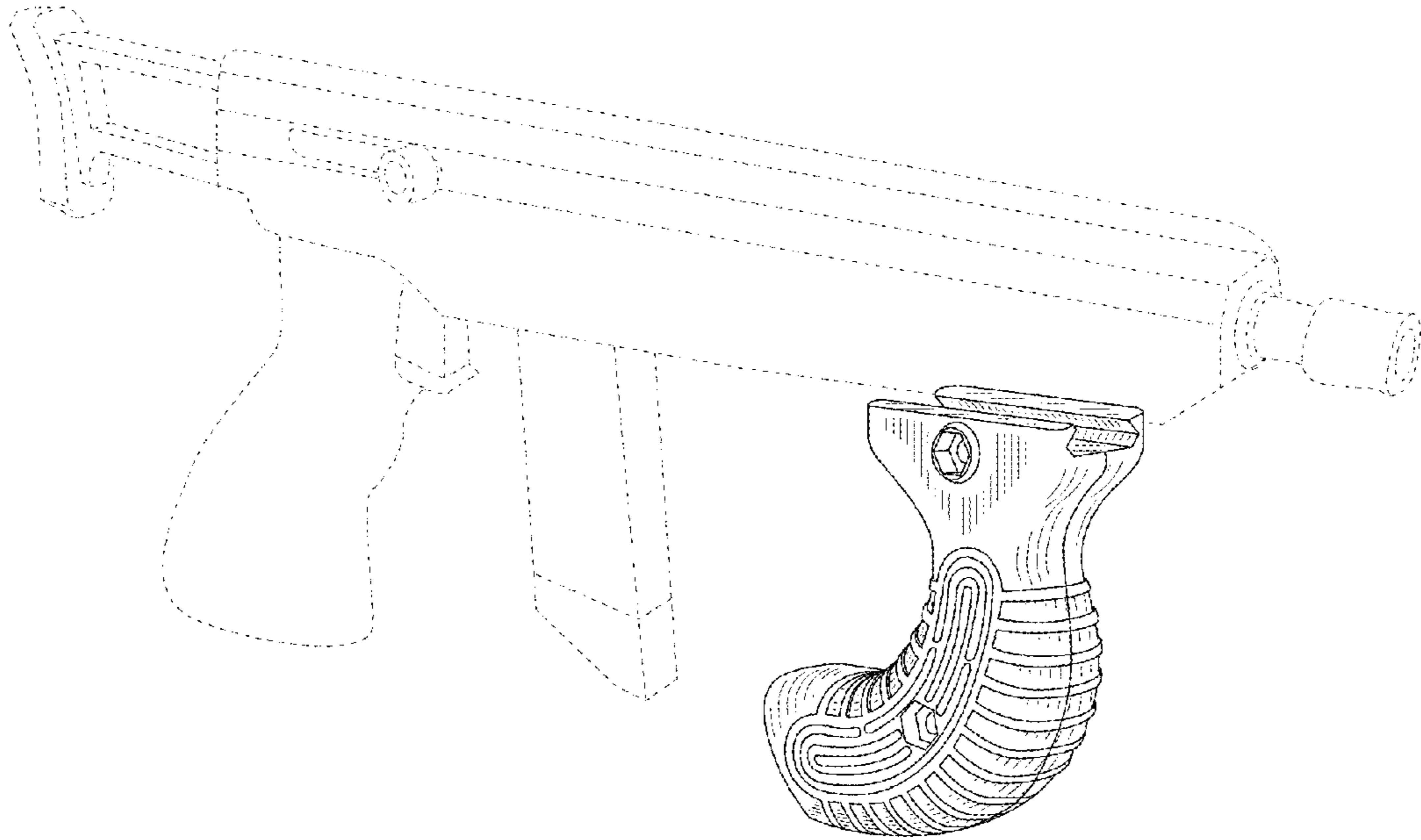


FIG. 1

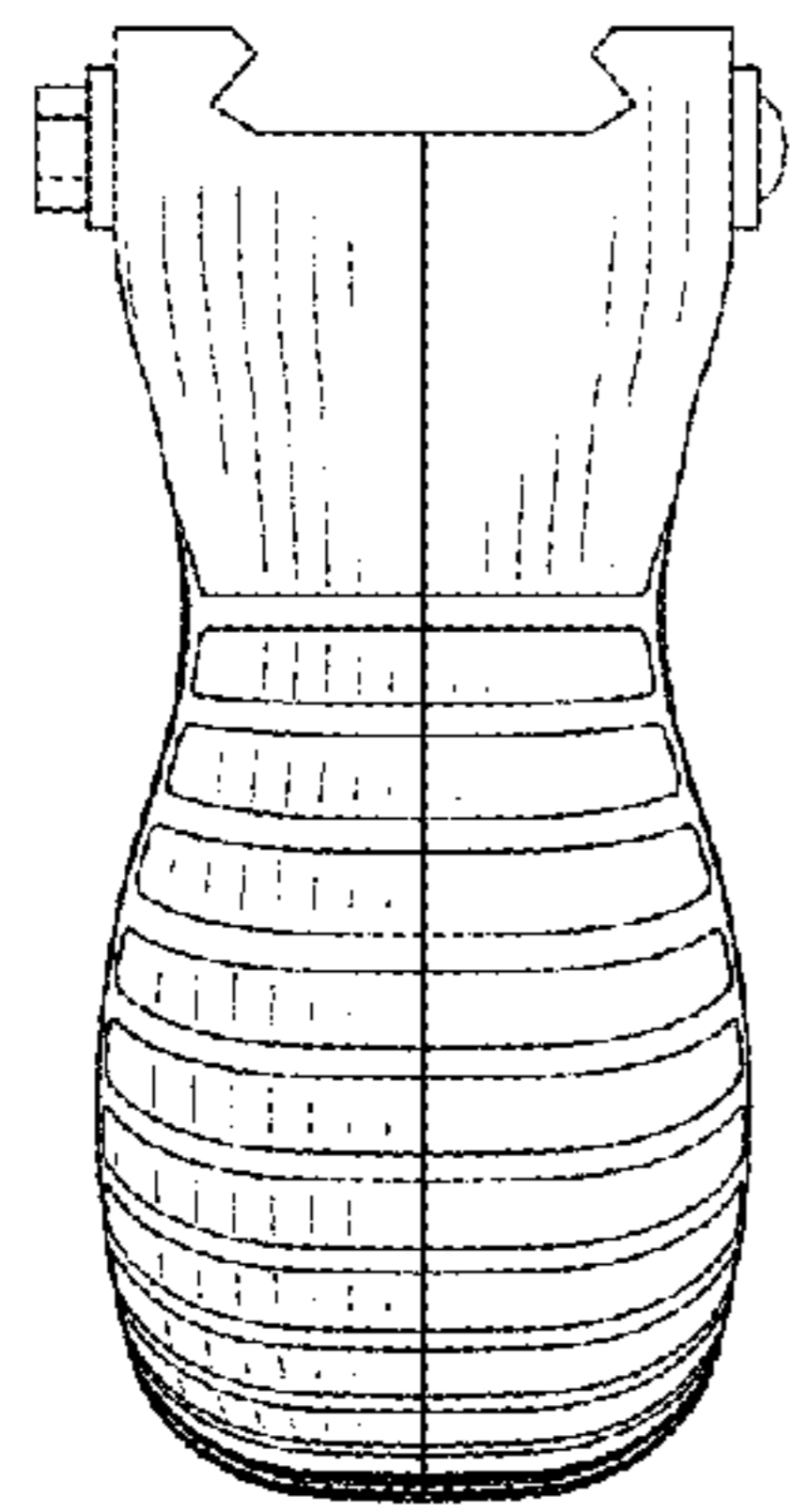


FIG. 2

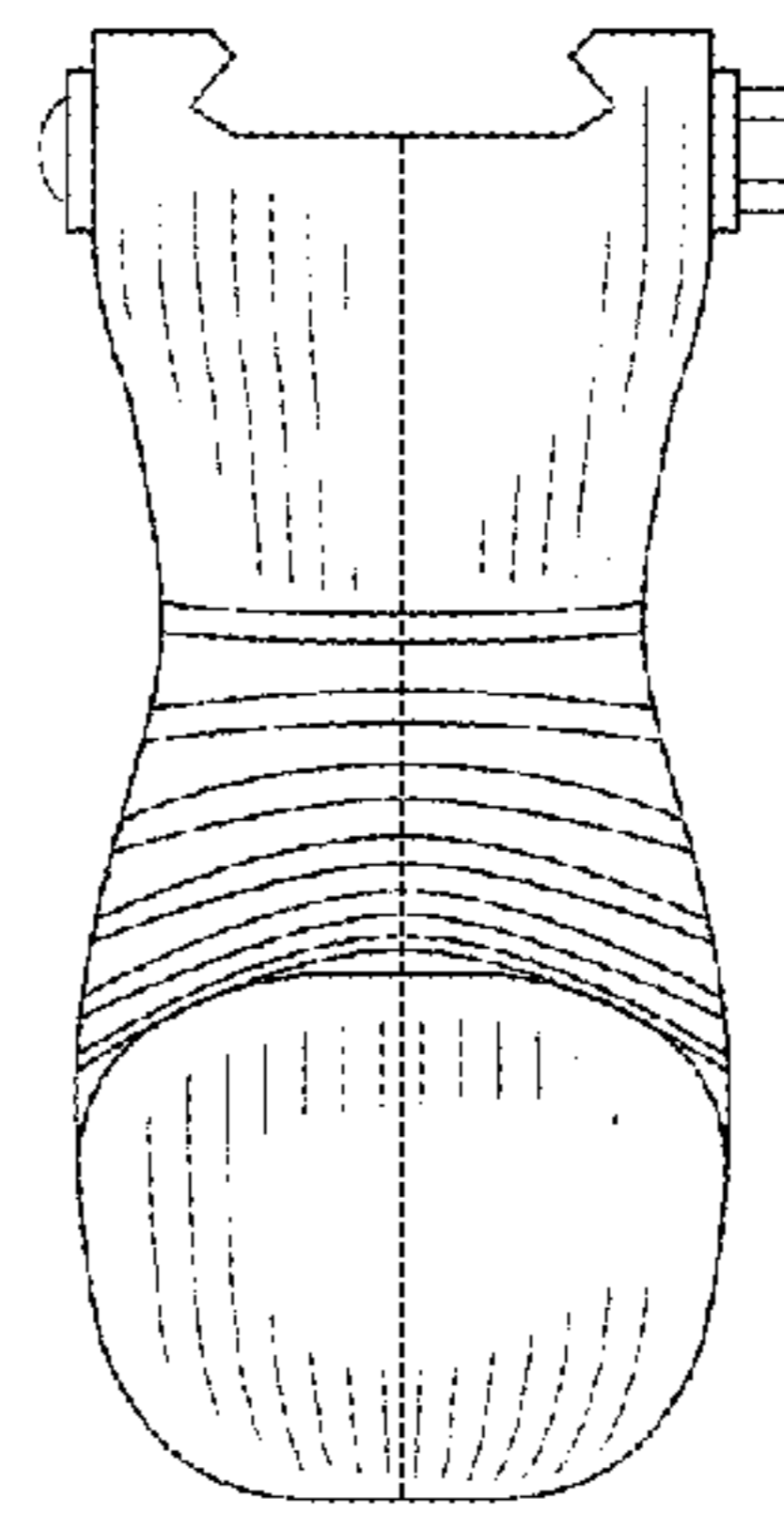


FIG. 3

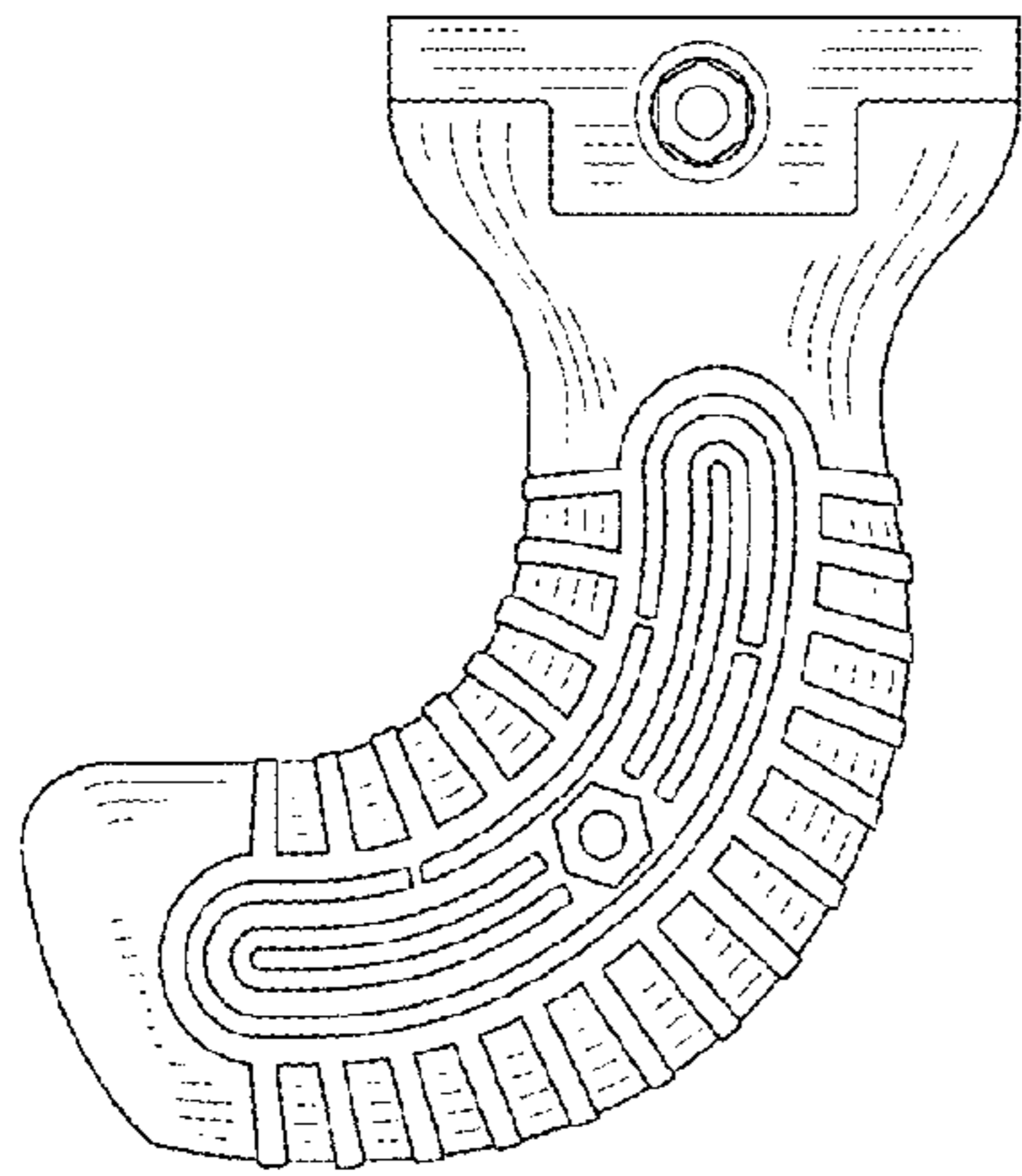


FIG. 4

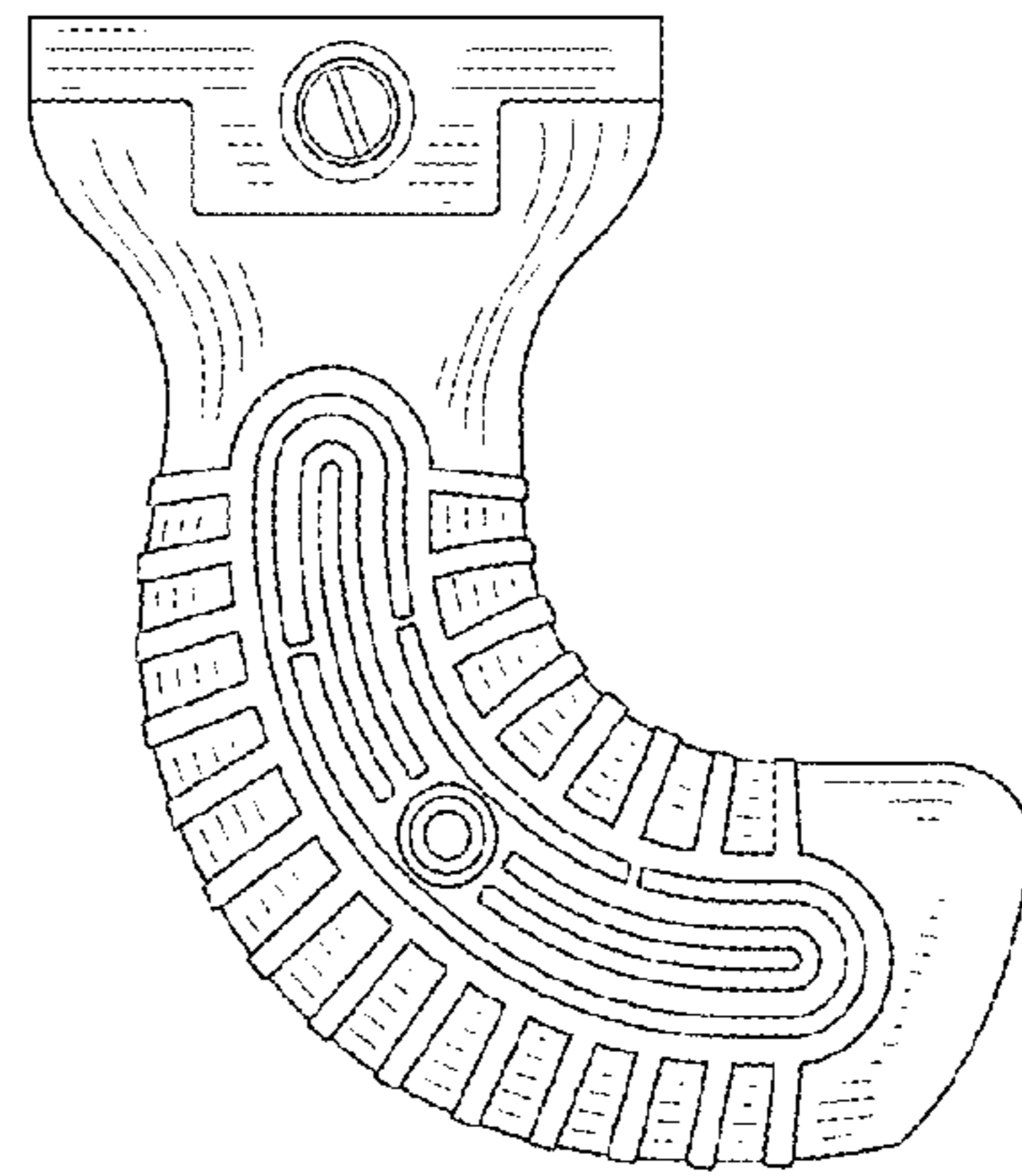


FIG. 5

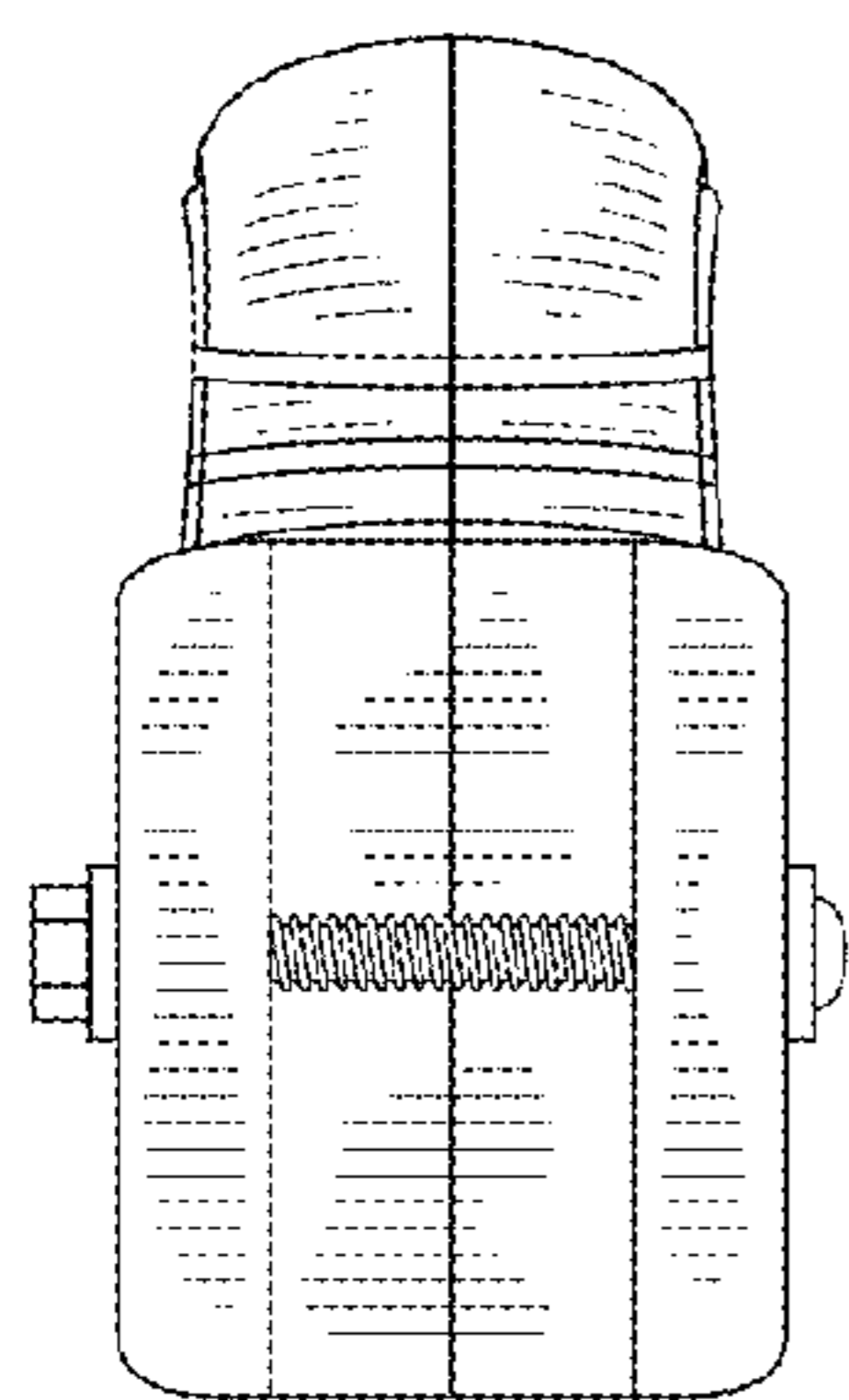


FIG. 6

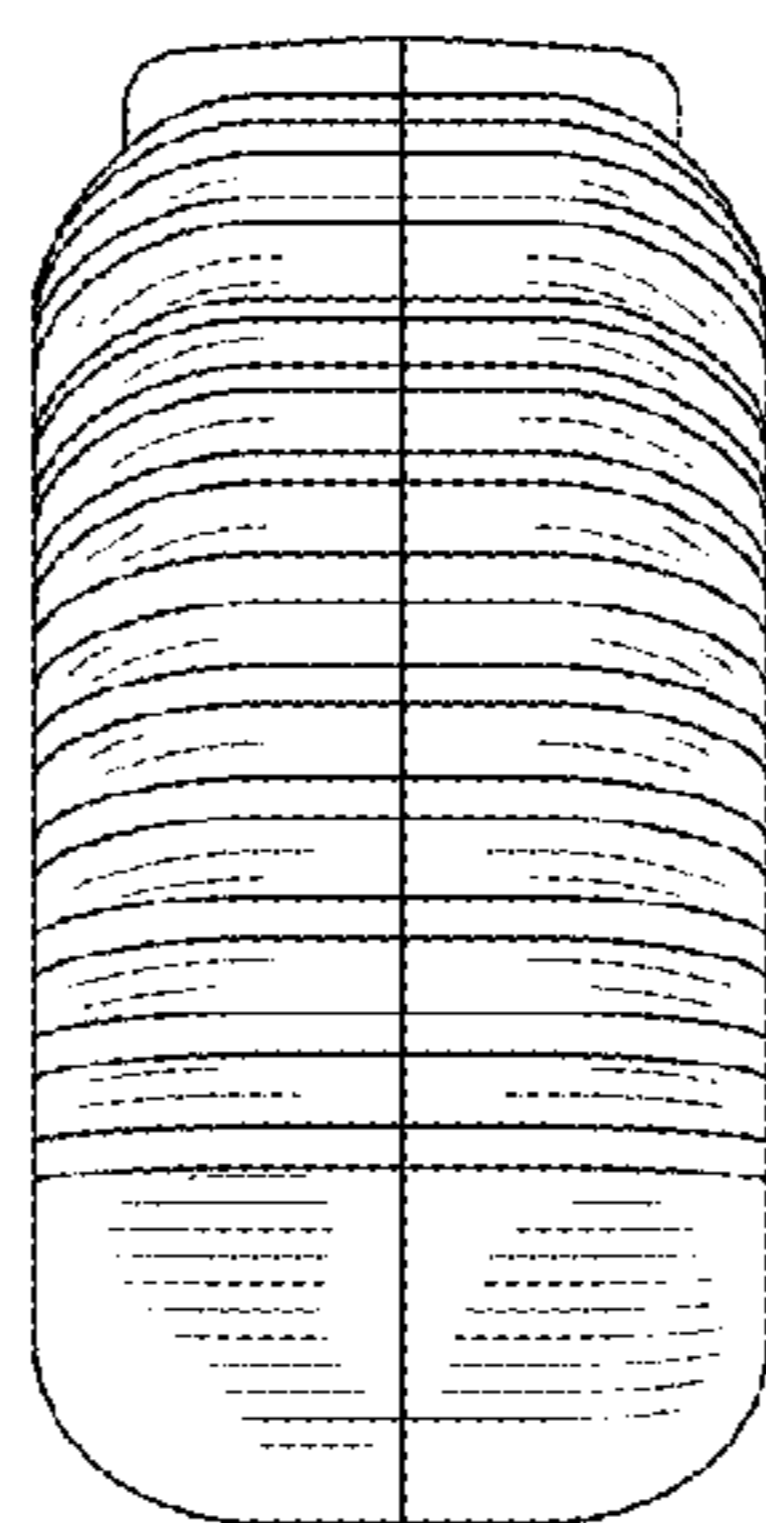


FIG. 7

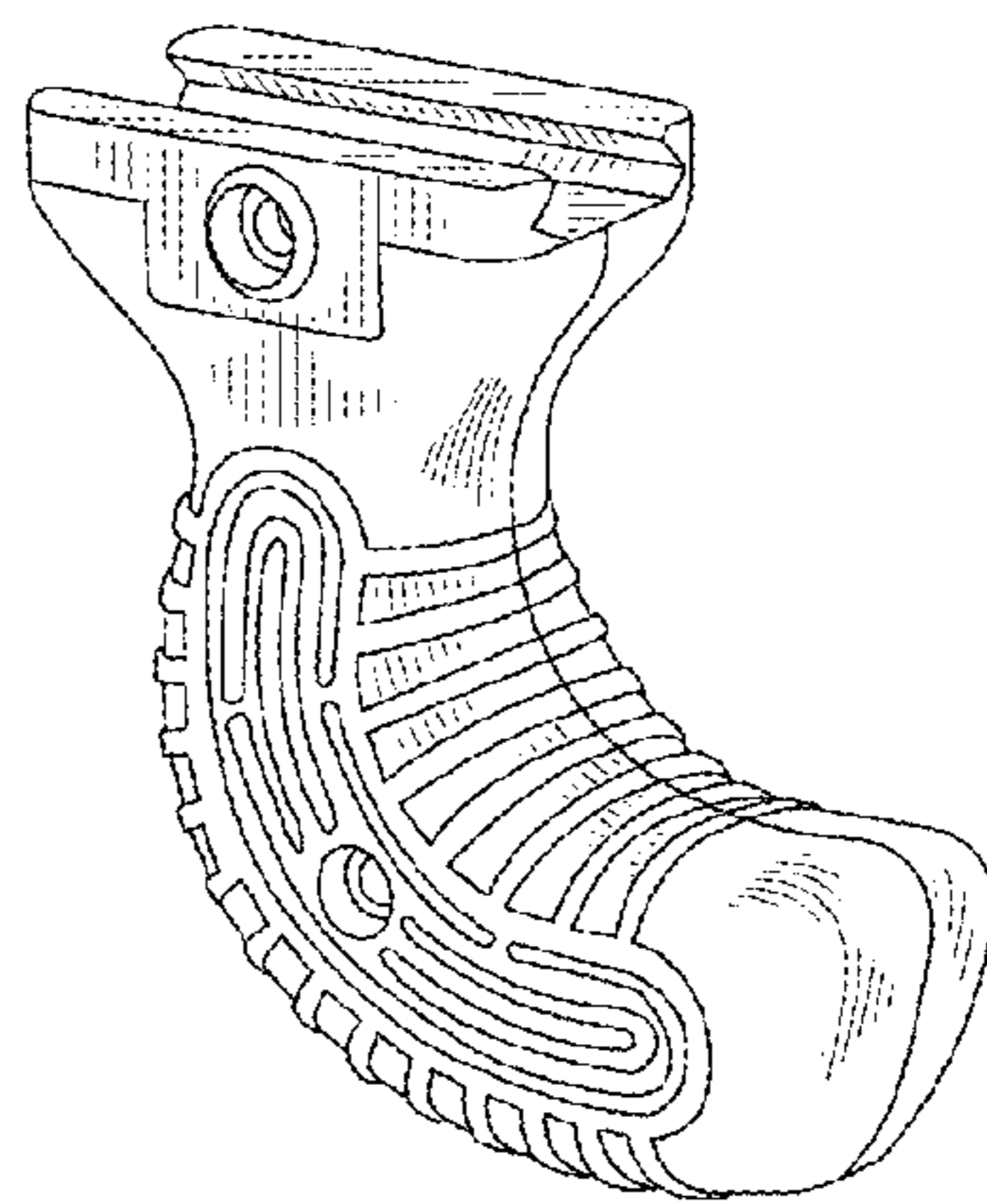


FIG. 8