



US00D693423S

(12) **United States Design Patent**
Beckett et al.

(10) **Patent No.:** **US D693,423 S**

(45) **Date of Patent:** **** Nov. 12, 2013**

(54) **OPTICAL DEVICE MOUNT**
(75) Inventors: **Patrick Beckett**, Greeley, CO (US); **Sky Leighton**, Firestone, CO (US)
(73) Assignee: **Burriss Corporation**, Greeley, CO (US)
(**) Term: **14 Years**
(21) Appl. No.: **29/420,430**

| | | | | |
|--------------|------|---------|-----------------|---------|
| D554,730 | S | 11/2007 | Coggins | |
| 7,543,405 | B1 * | 6/2009 | Ivey | 42/125 |
| D600,312 | S | 9/2009 | Swan | |
| D632,753 | S | 2/2011 | Leighton et al. | |
| D672,839 | S * | 12/2012 | Ding | D22/109 |
| 2004/0148842 | A1 | 8/2004 | Aalto et al. | |
| 2008/0034638 | A1 | 2/2008 | Spuhr | |
| 2010/0162611 | A1 * | 7/2010 | Samson et al. | 42/125 |
| 2011/0247255 | A1 * | 10/2011 | Ding et al. | 42/90 |
| 2012/0291331 | A1 * | 11/2012 | Troy et al. | 42/124 |

(22) Filed: **May 9, 2012**
(51) **LOC (9) Cl.** **22-01**
(52) **U.S. Cl.**
USPC **D22/108**
(58) **Field of Classification Search**
USPC D22/109-110; D16/132, 130, 133, 330,
D16/134; 42/111, 133, 119, 122; 359/399,
359/823, 744
See application file for complete search history.

OTHER PUBLICATIONS

Burriss Company, 2010 Catalog, Copyright 2009, Burriss Company, Greeley, CO., see pp. 43-45.

* cited by examiner

Primary Examiner — Michael A Pratt

(74) *Attorney, Agent, or Firm* — Merchant & Gould P.C.

(57) **CLAIM**

The ornamental design for an optical device mount, as shown.

(56) **References Cited**

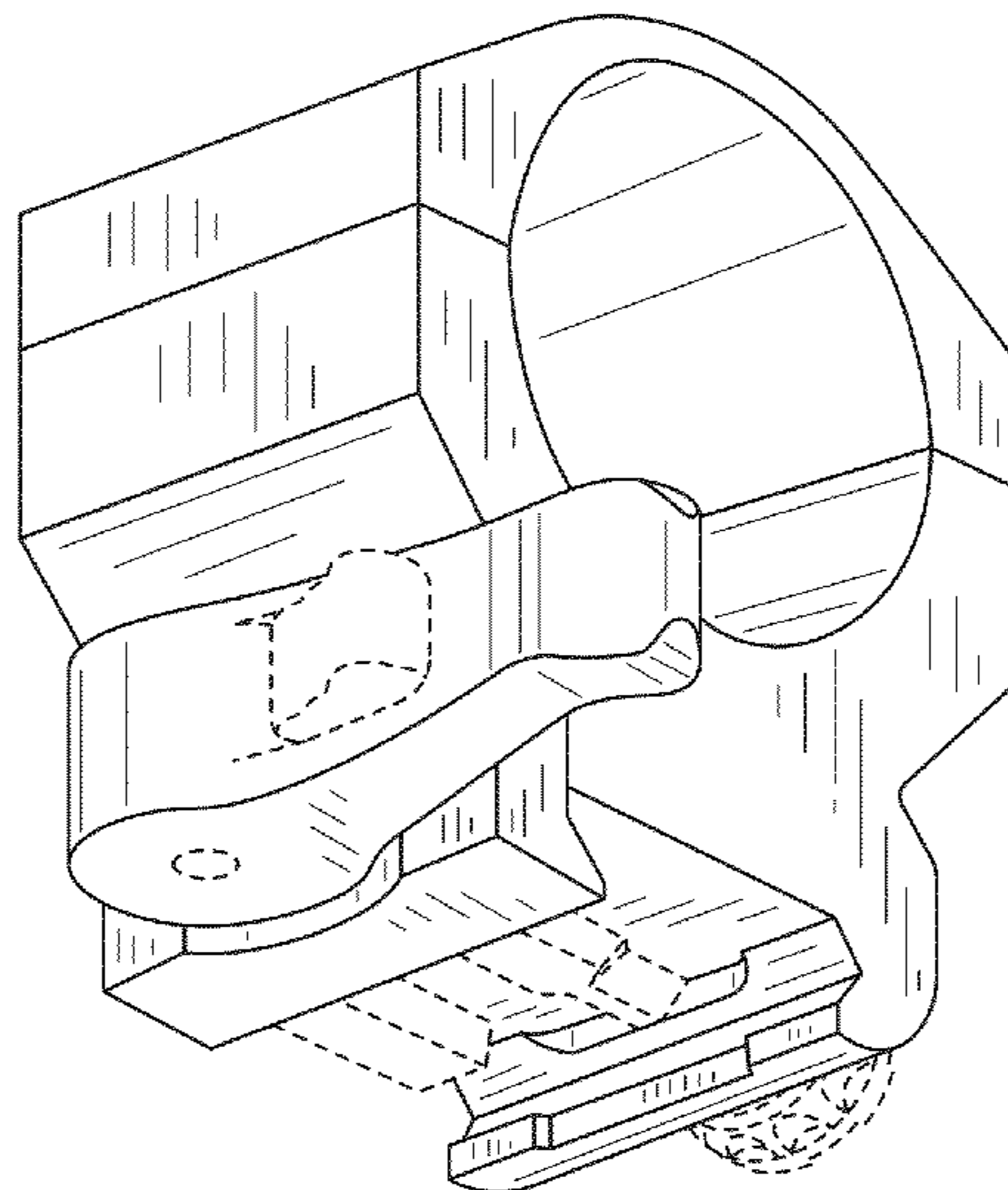
DESCRIPTION

U.S. PATENT DOCUMENTS

| | | | | |
|-----------|------|---------|----------------|---------|
| 2,743,526 | A * | 5/1956 | Ivy | 42/126 |
| 2,775,817 | A * | 1/1957 | Schuman | 42/125 |
| 2,887,668 | A * | 5/1959 | Sherno | 439/757 |
| D209,049 | S * | 10/1967 | Holden | D22/110 |
| D232,633 | S * | 9/1974 | Weast | D22/109 |
| 3,875,675 | A * | 4/1975 | Krisay | 42/127 |
| D259,944 | S | 7/1981 | Burriss | |
| 4,367,606 | A | 1/1983 | Bechtel | |
| 4,501,071 | A | 2/1985 | Manske | |
| 4,835,895 | A * | 6/1989 | Bowen | 42/127 |
| D317,344 | S | 6/1991 | Klumpp | |
| 5,033,219 | A | 7/1991 | Johnson et al. | |
| D346,198 | S * | 4/1994 | Herringshaw | D22/110 |
| D383,826 | S | 9/1997 | Weigand | |
| D391,335 | S * | 2/1998 | Bechtel | D22/110 |
| D403,393 | S * | 12/1998 | Weast | D22/110 |
| 6,874,269 | B2 | 4/2005 | Chen et al. | |
| D508,726 | S * | 8/2005 | Storch | D22/108 |
| 7,140,143 | B1 * | 11/2006 | Ivey | 42/125 |

FIG. 1 is a perspective view of an optical device mount showing our new design.
FIG. 2 is a front elevation view of the optical device mount of FIG. 1;
FIG. 3 is a rear elevation view of the optical device mount of FIG. 1;
FIG. 4 is a right elevation view of the optical device mount of FIG. 1;
FIG. 5 is a left elevation view of the optical device mount of FIG. 1;
FIG. 6 is a top plan view of the optical device mount of FIG. 1; and,
FIG. 7 is a bottom plan view of the optical device mount of FIG. 1.
The broken lines depict portions of the optical device mount that form no part of the claimed design.

1 Claim, 4 Drawing Sheets



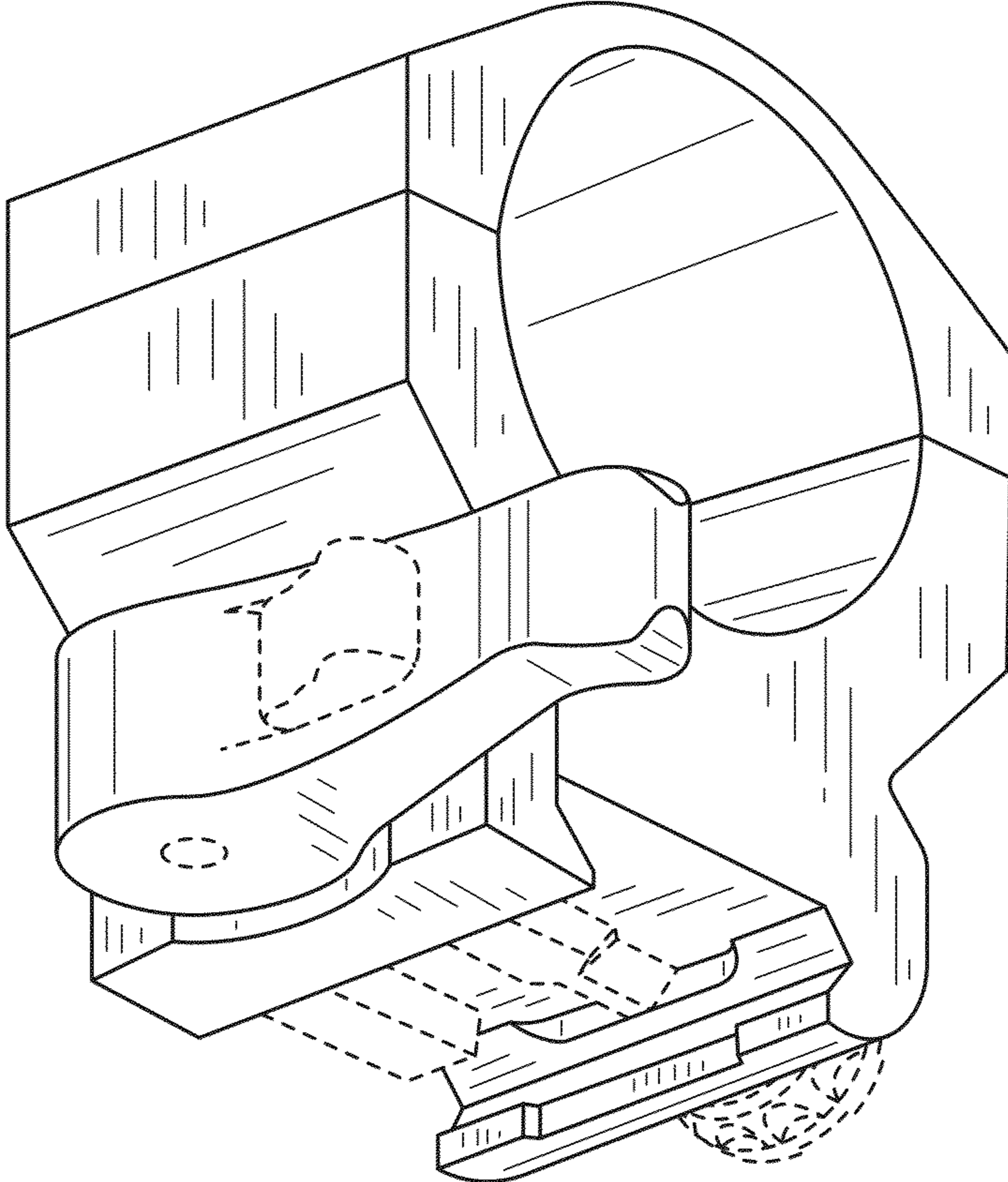


FIG.1

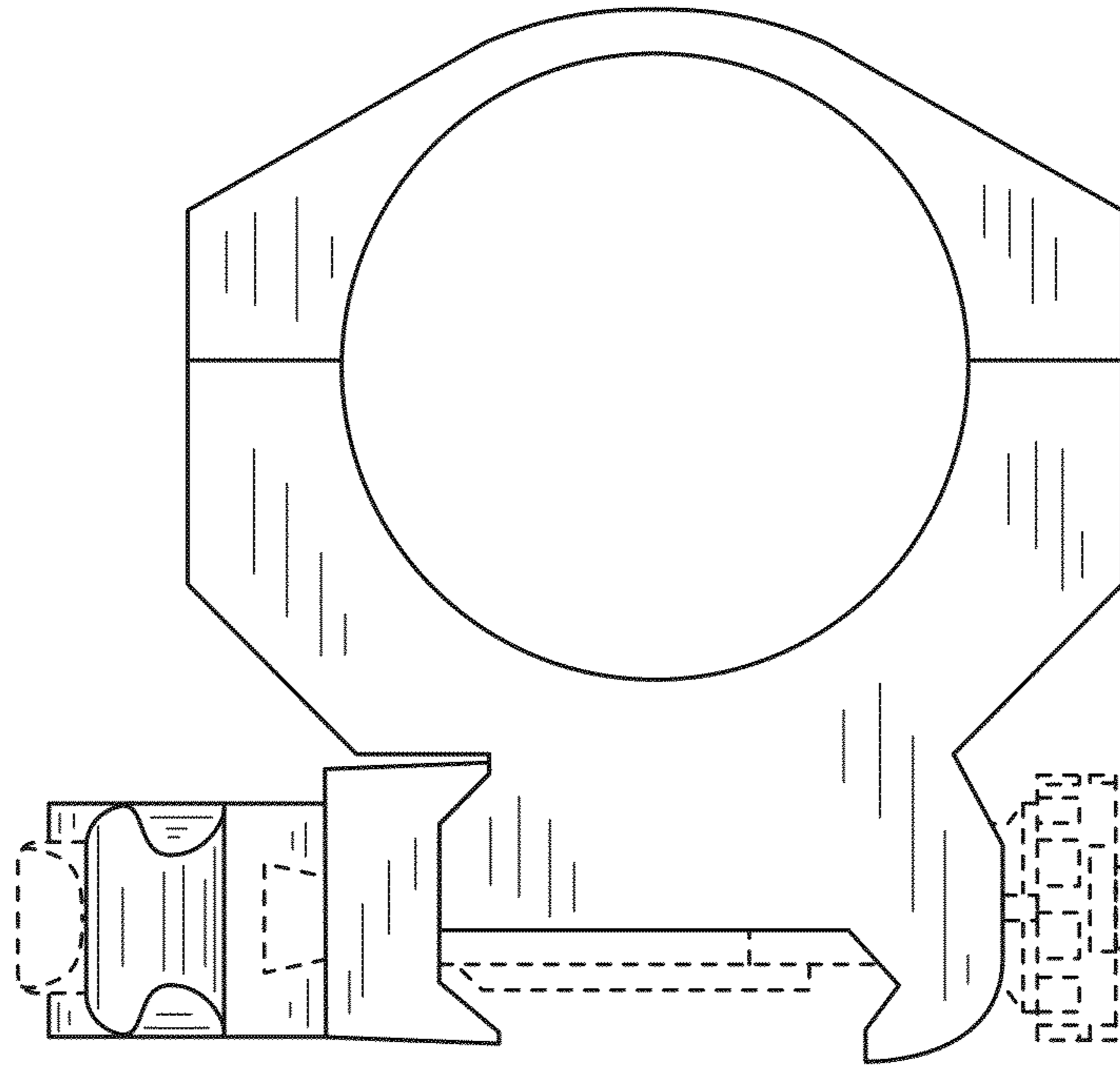


FIG.2

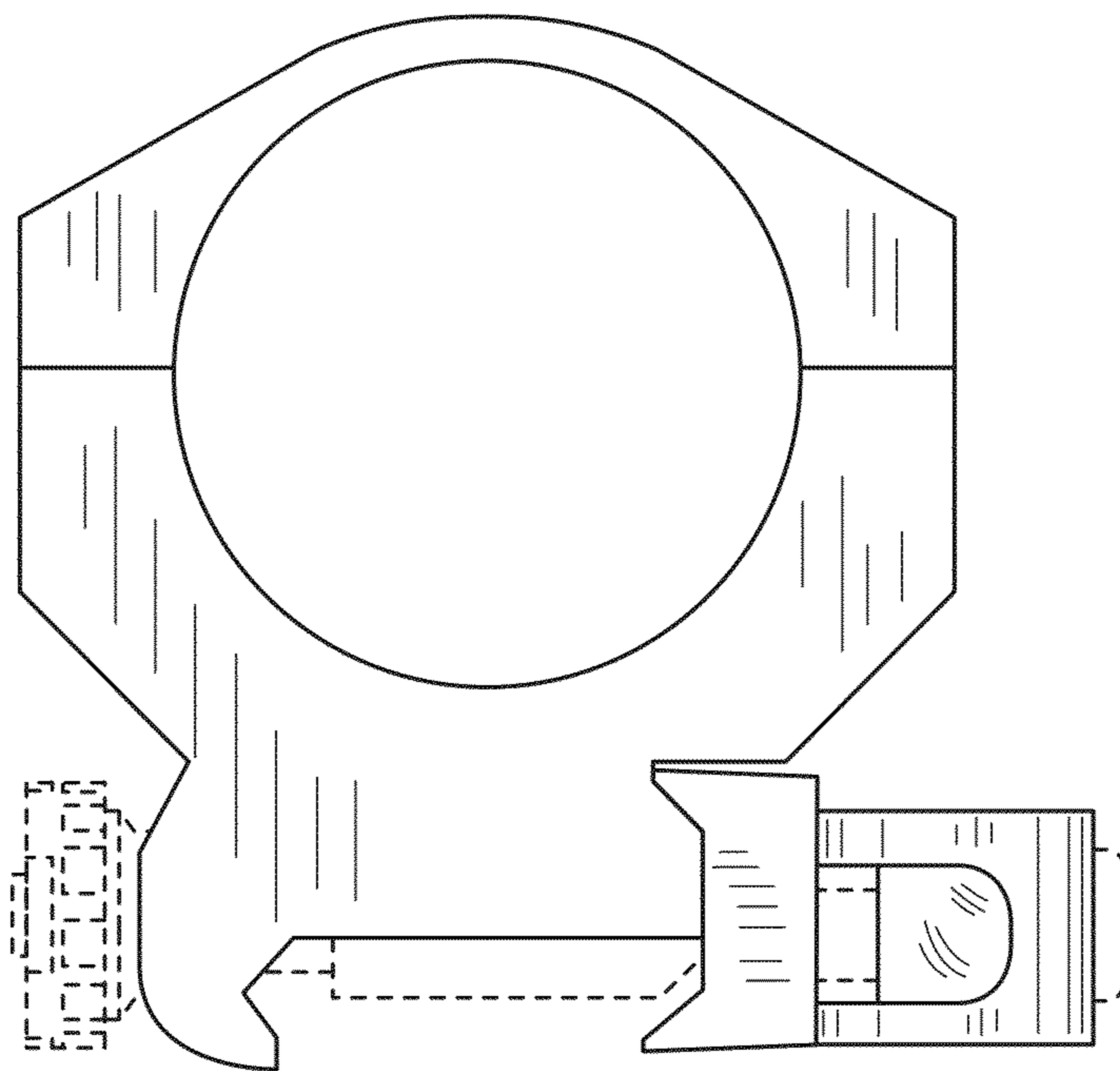


FIG.3

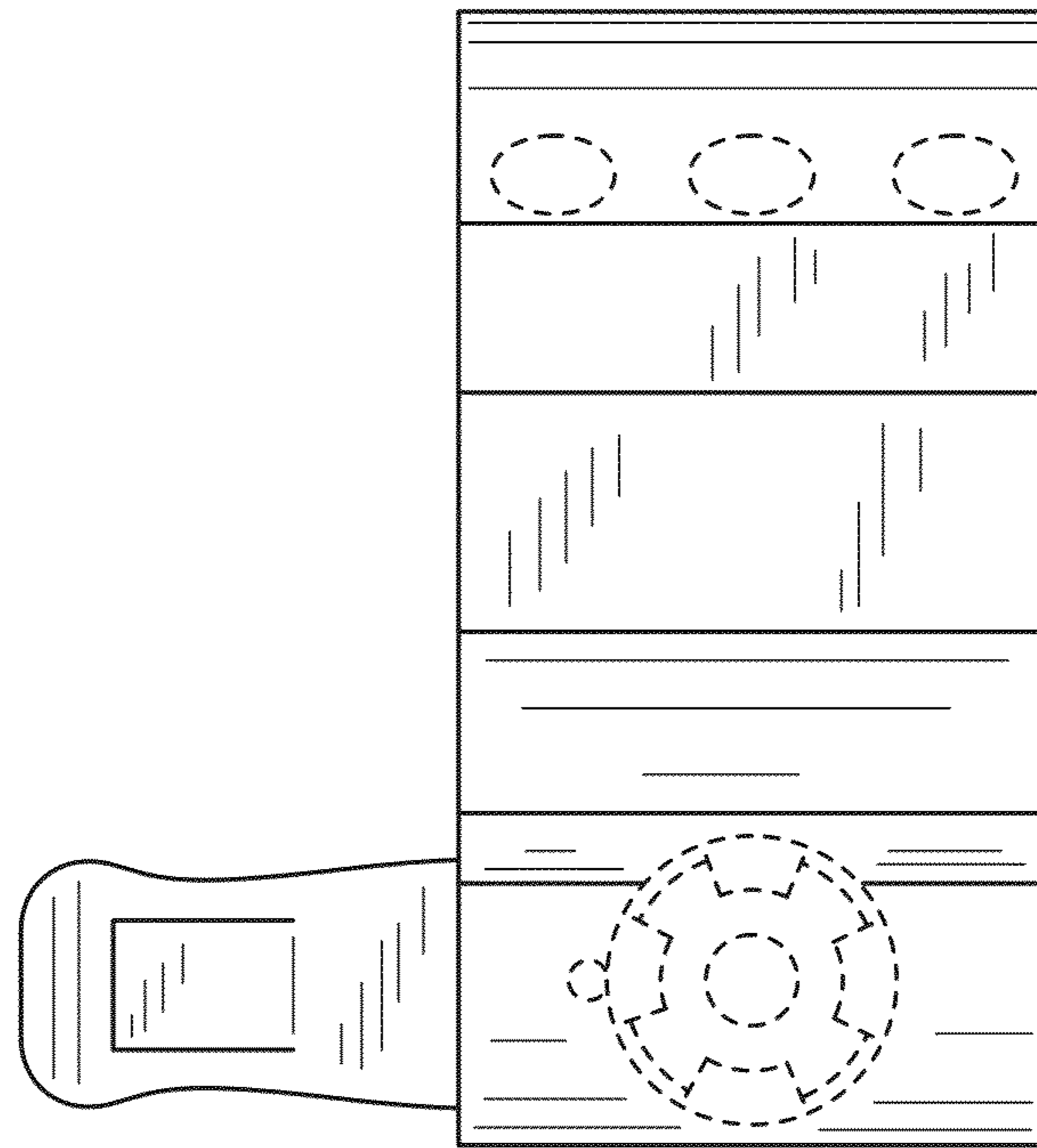


FIG. 4

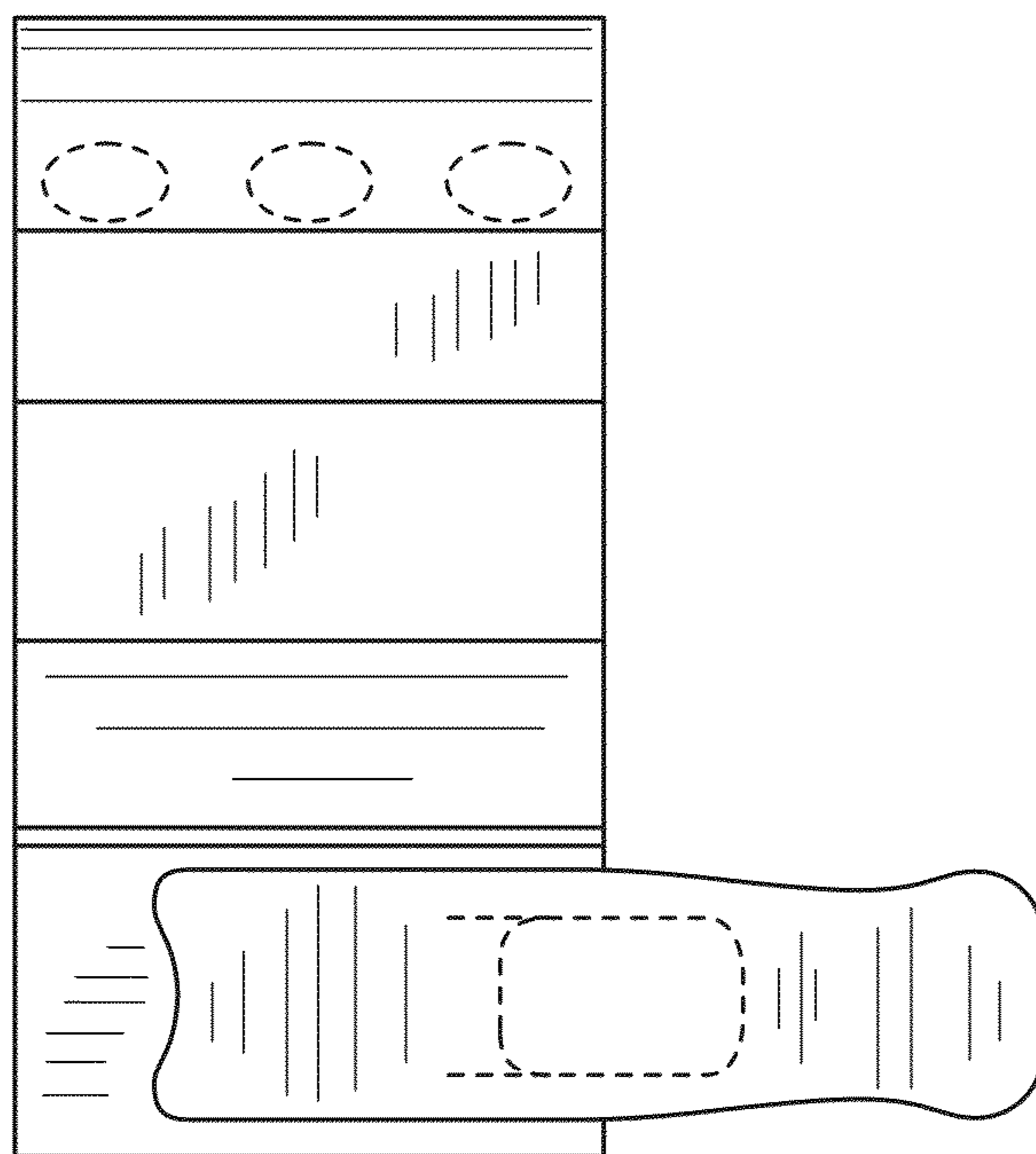


FIG. 5

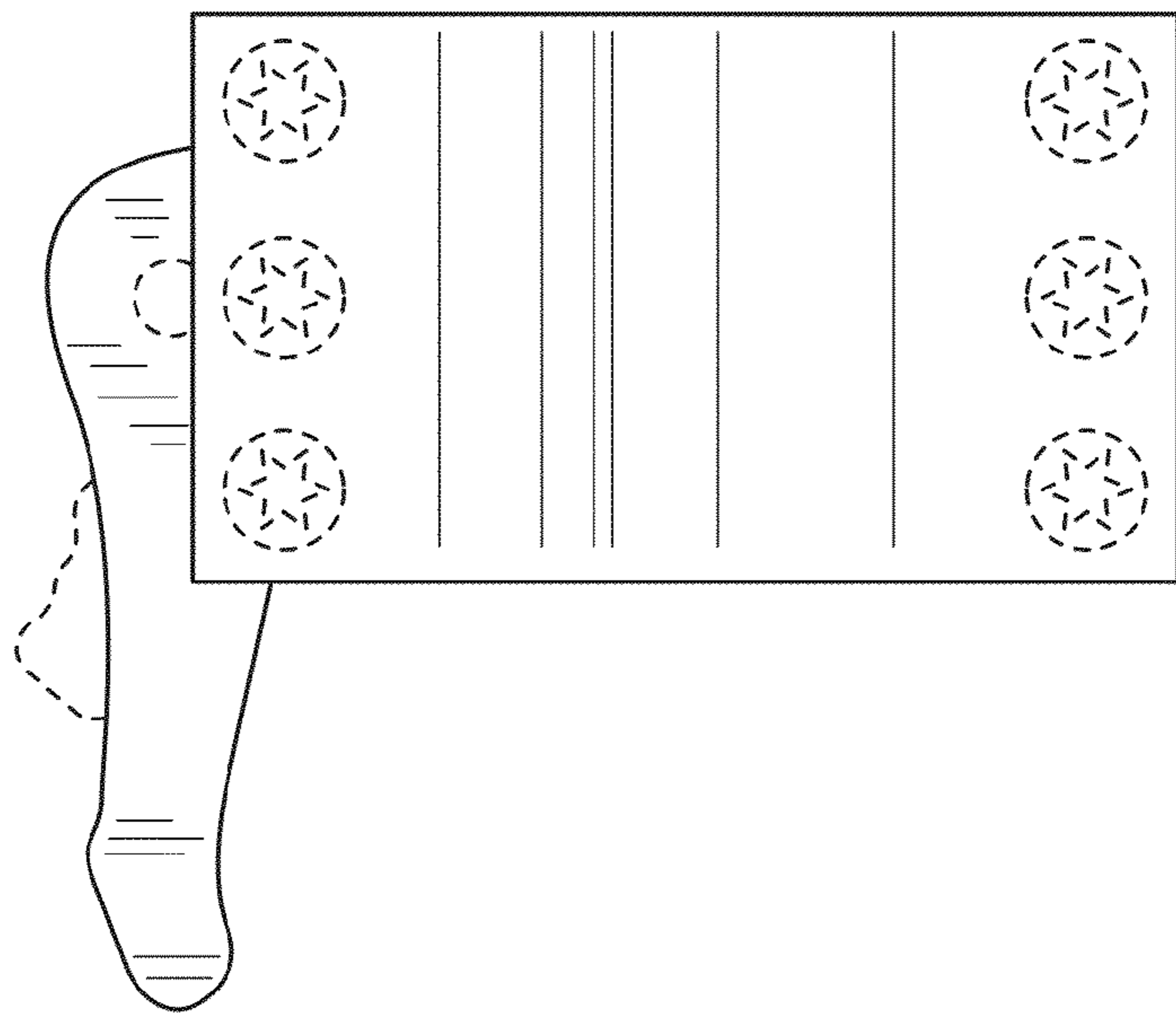


FIG. 6

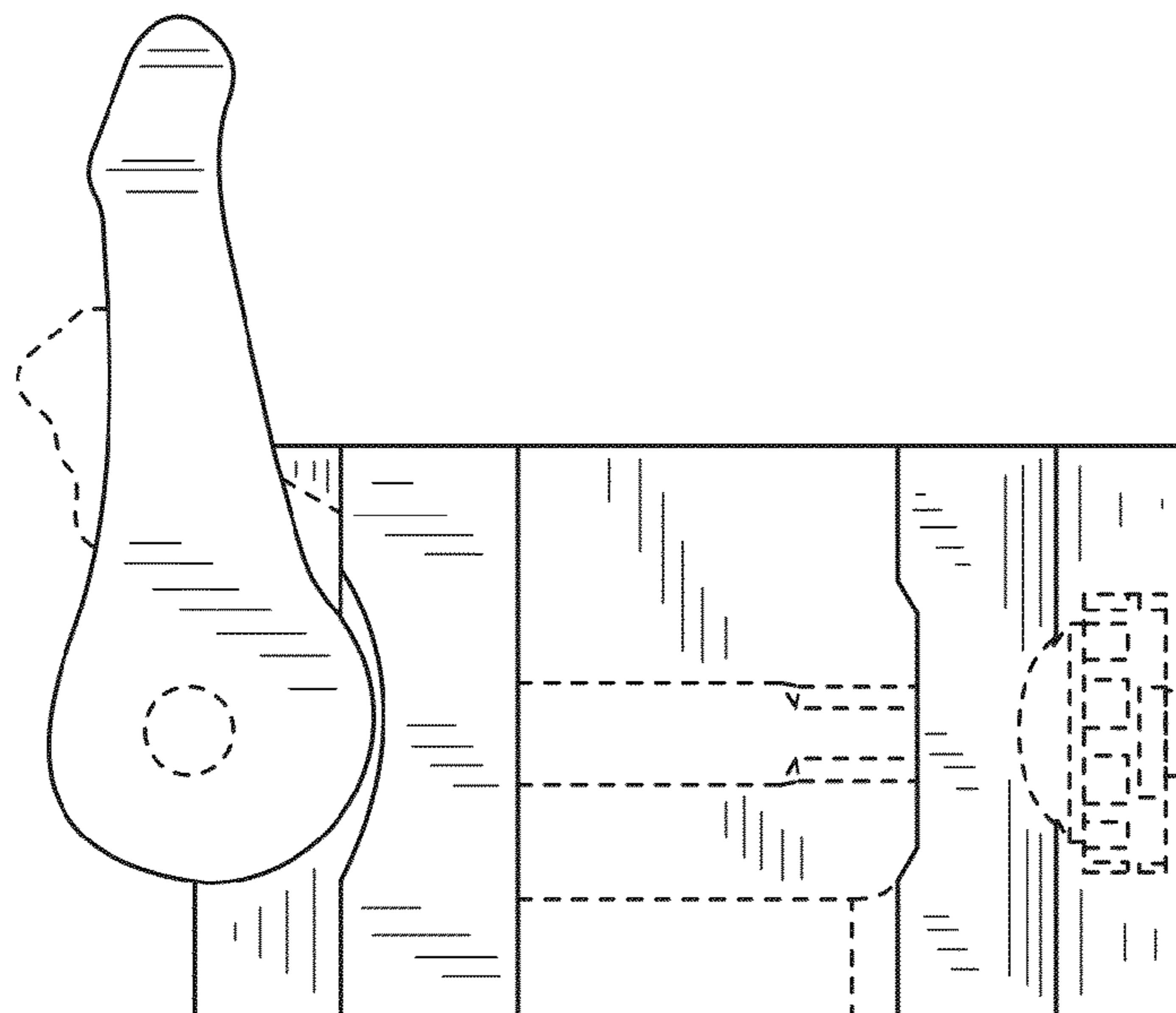


FIG. 7