

US00D693422S

(12) **United States Design Patent**  
**Vera et al.**

(10) **Patent No.:** **US D693,422 S**

(45) **Date of Patent:** **\*\* Nov. 12, 2013**

(54) **RIFLE BARREL**

(75) Inventors: **Julian Arnedo Vera**, Sant Boi de Llobregat (ES); **Victor Tresserras Torre**, Sant Boi de Llobregat (ES)

(73) Assignee: **Gamo Outdoor S.L.**, Barcelona (ES)

(\*\*) Term: **14 Years**

(21) Appl. No.: **29/418,635**

(22) Filed: **Apr. 18, 2012**

(30) **Foreign Application Priority Data**

Oct. 18, 2011 (WO) ..... 631742401

(51) **LOC (9) Cl.** ..... **22-01**

(52) **U.S. Cl.**  
USPC ..... **D22/108**

(58) **Field of Classification Search**  
USPC ..... D22/108; 89/14.05, 14.1–14.8;  
42/8–12, 44, 63–64, 75.01–75.04,  
42/76.01, 76.02–76.1

See application file for complete search history.

(56) **References Cited**

**U.S. PATENT DOCUMENTS**

D285,235 S \* 8/1986 Cellini ..... D22/108  
D592,271 S \* 5/2009 Salva ..... D22/108  
D593,630 S \* 6/2009 Salva ..... D22/108  
D593,631 S \* 6/2009 Salva ..... D22/108  
D606,154 S \* 12/2009 Casas Salva ..... D22/108  
7,966,762 B2 \* 6/2011 Barrett ..... 42/75.03

D662,169 S \* 6/2012 Arnedo Vera et al. .... D22/108

\* cited by examiner

*Primary Examiner* — Michael A Pratt

(74) *Attorney, Agent, or Firm* — Kilpatrick Townsend & Stockton LLP

(57) **CLAIM**

The ornamental design for a rifle barrel, as shown and described.

**DESCRIPTION**

FIG. 1 is a perspective view of a first embodiment of a rifle barrel showing our new design;

FIG. 2 is a top plan view thereof;

FIG. 3 is a bottom plan view thereof;

FIG. 4 is a left side plan view thereof;

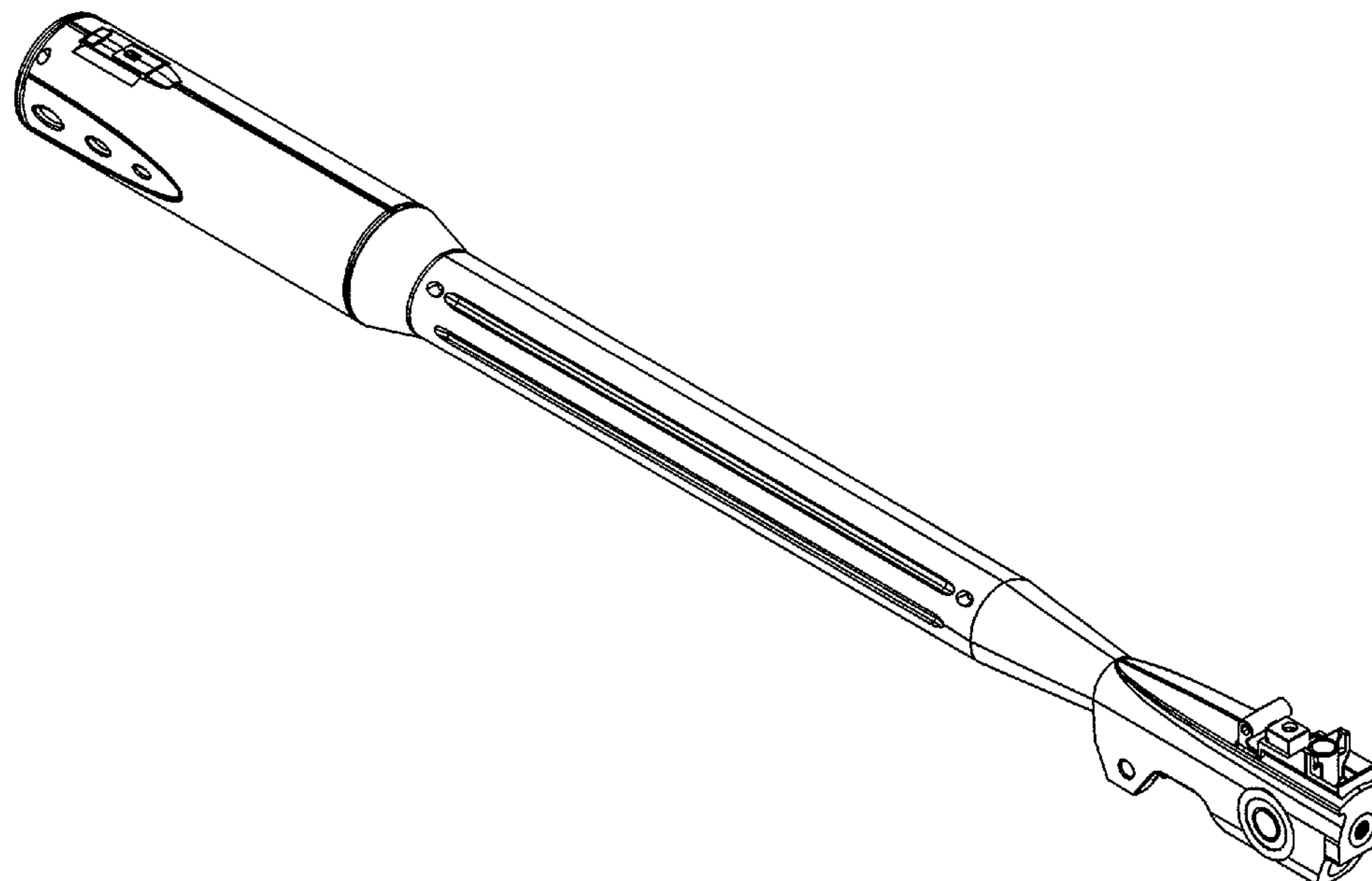
FIG. 5 is a right side plan view thereof;

FIG. 6 is a front elevational view; and,

FIG. 7 is a rear elevational view.

The submitted drawings show some additional solid lines on the rifle barrel; some of these solid lines are not meant to convey actual solidly drawn lines, such as actual surface markings or ornamentation, on the rifle barrel. As is generally recognized by persons skilled in the art of preparing digital drawings, such solid lines are meant to convey the boundaries for curved surfaces on the rifle barrel. Such curved surfaces are also defined by the non-line-drawn versions, also known as solid-shaded images, disclosed in the present application's priority application, which is incorporated by reference herein. The specific color of the solid-shaded images disclosed in the priority application forms no part of the claimed design.

**1 Claim, 7 Drawing Sheets**



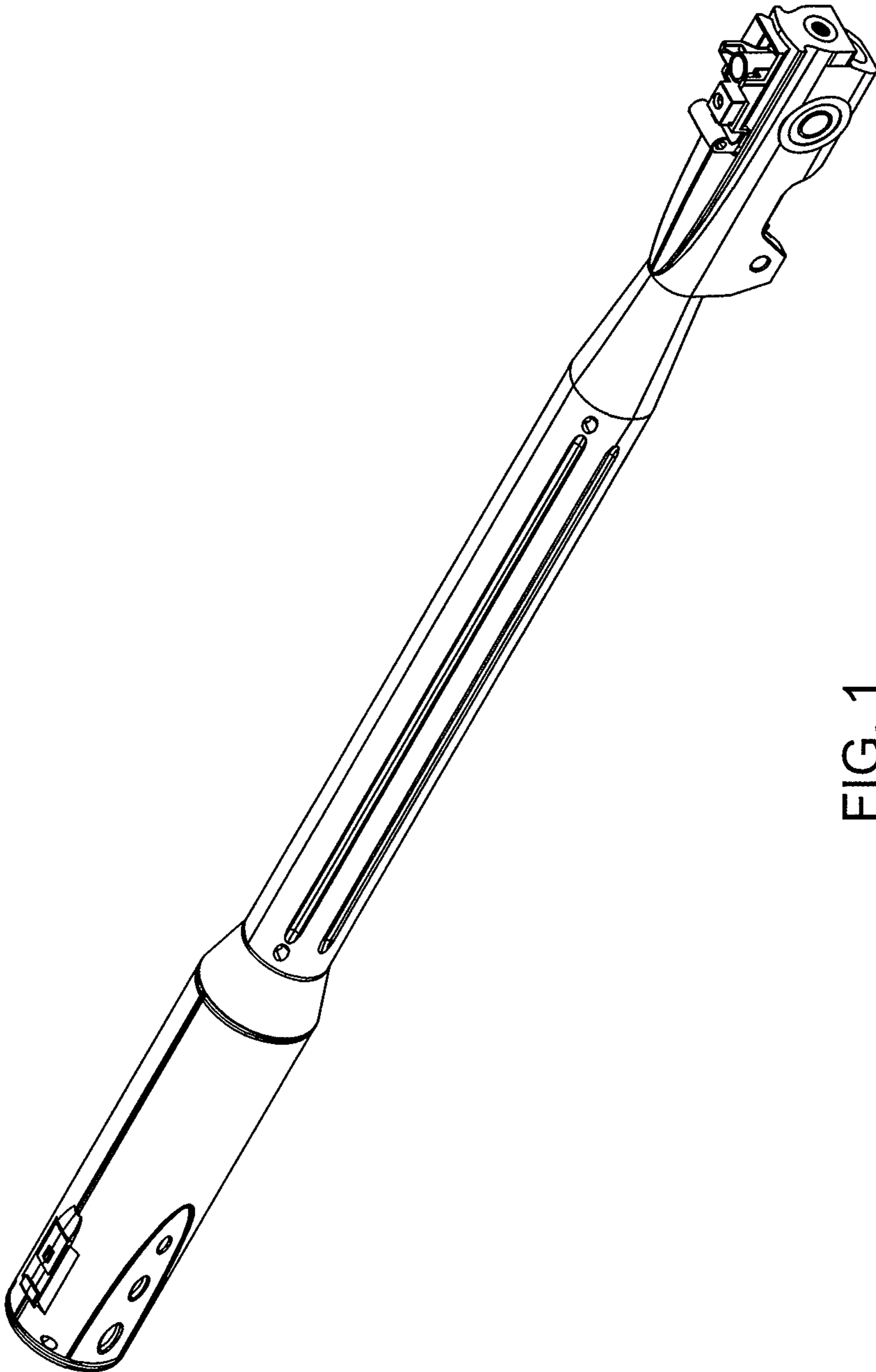


FIG. 1

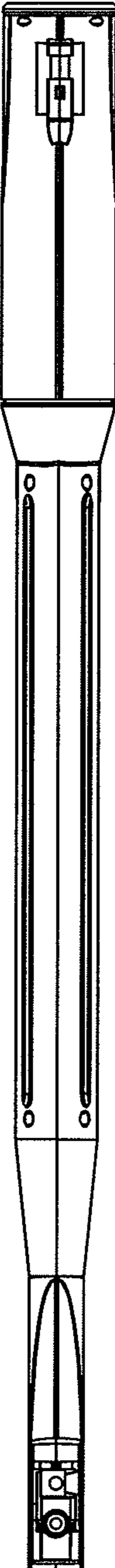


FIG. 2

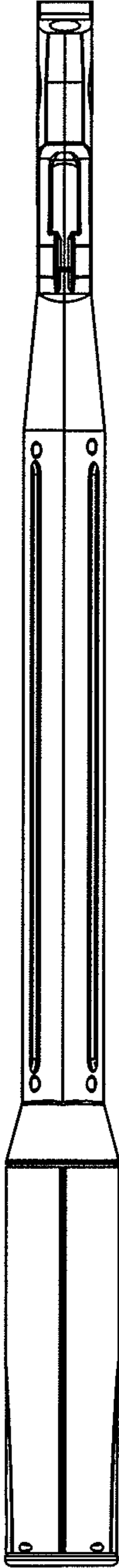


FIG. 3

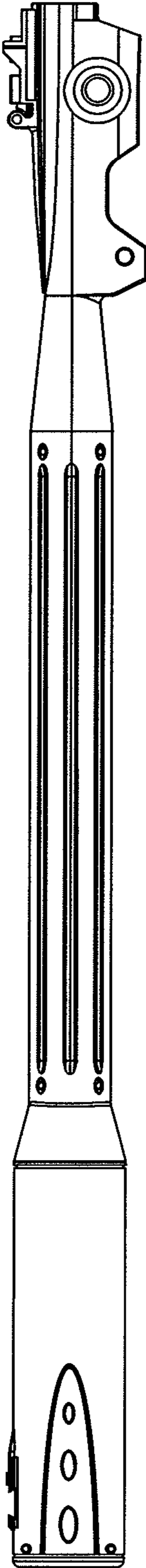


FIG. 4

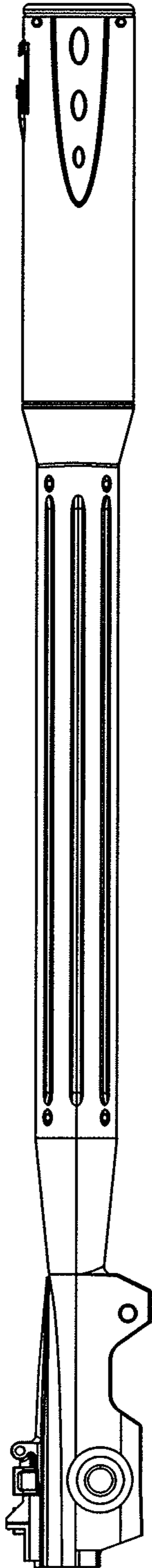


FIG. 5

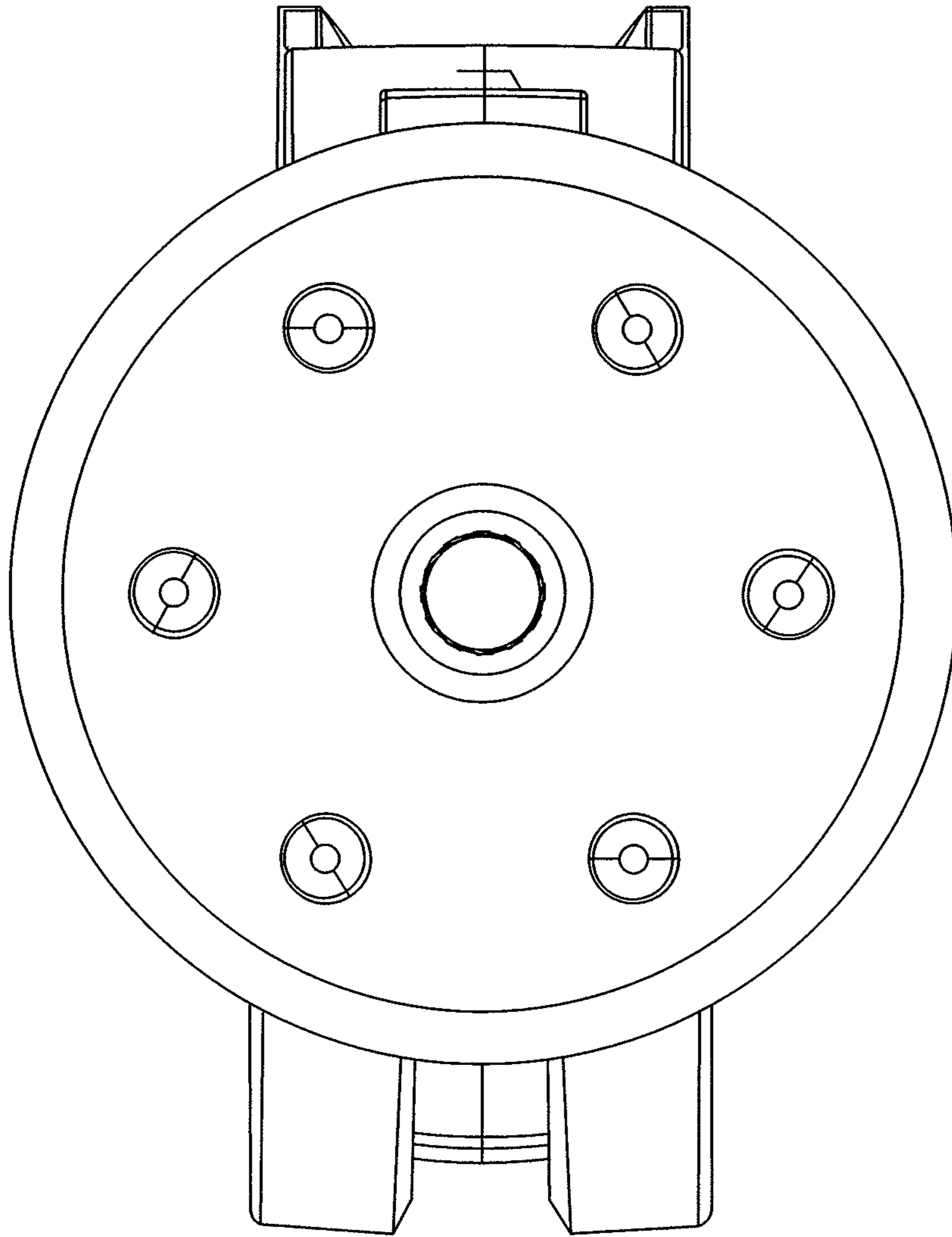


FIG. 6

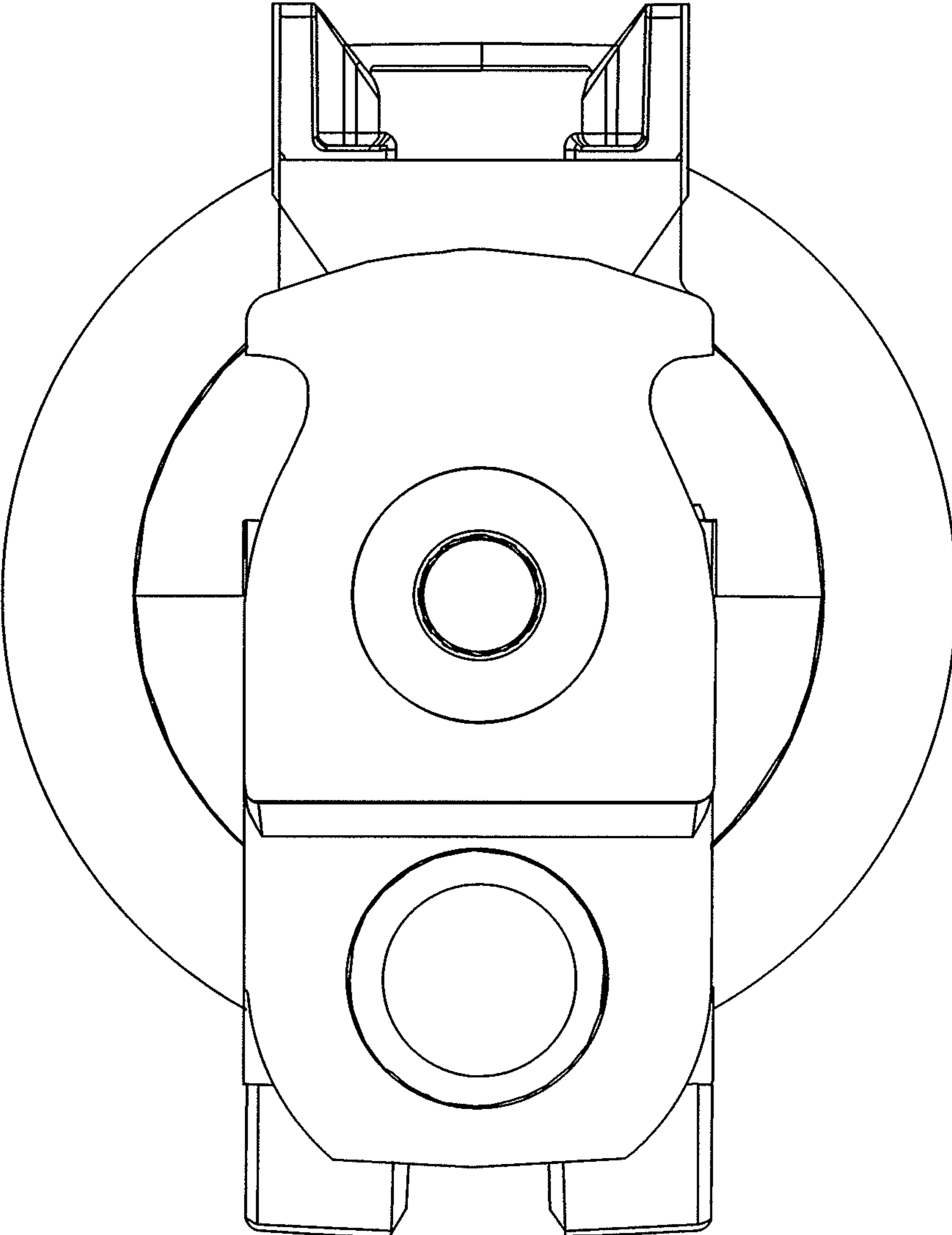


FIG. 7