



US00D693421S

(12) **United States Design Patent**
Acarreta

(10) **Patent No.:** **US D693,421 S**

(45) **Date of Patent:** **** Nov. 12, 2013**

(54) **ADAPTER FOR FIREARMS**

(76) Inventor: **Raul Delgado Acarreta**, Tudela (ES)

(**) Term: **14 Years**

(21) Appl. No.: **29/416,938**

(22) Filed: **Mar. 28, 2012**

(51) **LOC (9) Cl.** **22-01**

(52) **U.S. Cl.**
USPC **D22/108**

(58) **Field of Classification Search**
USPC D22/108; 362/110; 124/45, 66, 67, 74;
89/33.1, 40.06, 37.04, 33.04, 191.01;
42/6, 7, 49.01–49.02, 50, 49.1;
D21/572–573

See application file for complete search history.

(56) **References Cited**

U.S. PATENT DOCUMENTS

5,899,013	A *	5/1999	Hauser et al.	42/6
7,131,228	B2 *	11/2006	Hochstrate et al.	42/75.01
7,963,062	B1 *	6/2011	Rotharmel et al.	42/69.01
8,127,480	B1 *	3/2012	McManus et al.	42/49.02
8,342,075	B2 *	1/2013	Gomez 89/191.01	
2010/0281731	A1 *	11/2010	Stone 42/6	

2012/0167433	A1 *	7/2012	Robbins et al.	42/75.02
2012/0255209	A1 *	10/2012	Klassen 42/6	
2012/0297656	A1 *	11/2012	Langevin et al.	42/16
2013/0014418	A1 *	1/2013	Dextraze et al.	42/16

* cited by examiner

Primary Examiner — Michael A Pratt

(74) *Attorney, Agent, or Firm* — Blank Rome LLP

(57) **CLAIM**

The ornamental design for an adapter for firearms, as shown and described.

DESCRIPTION

FIG. 1 is a front perspective view of an adapter for firearms showing my new design.

FIG. 2 is a bottom plan view thereof.

FIG. 3 is a rear elevation view thereof.

FIG. 4 is a top plan view thereof.

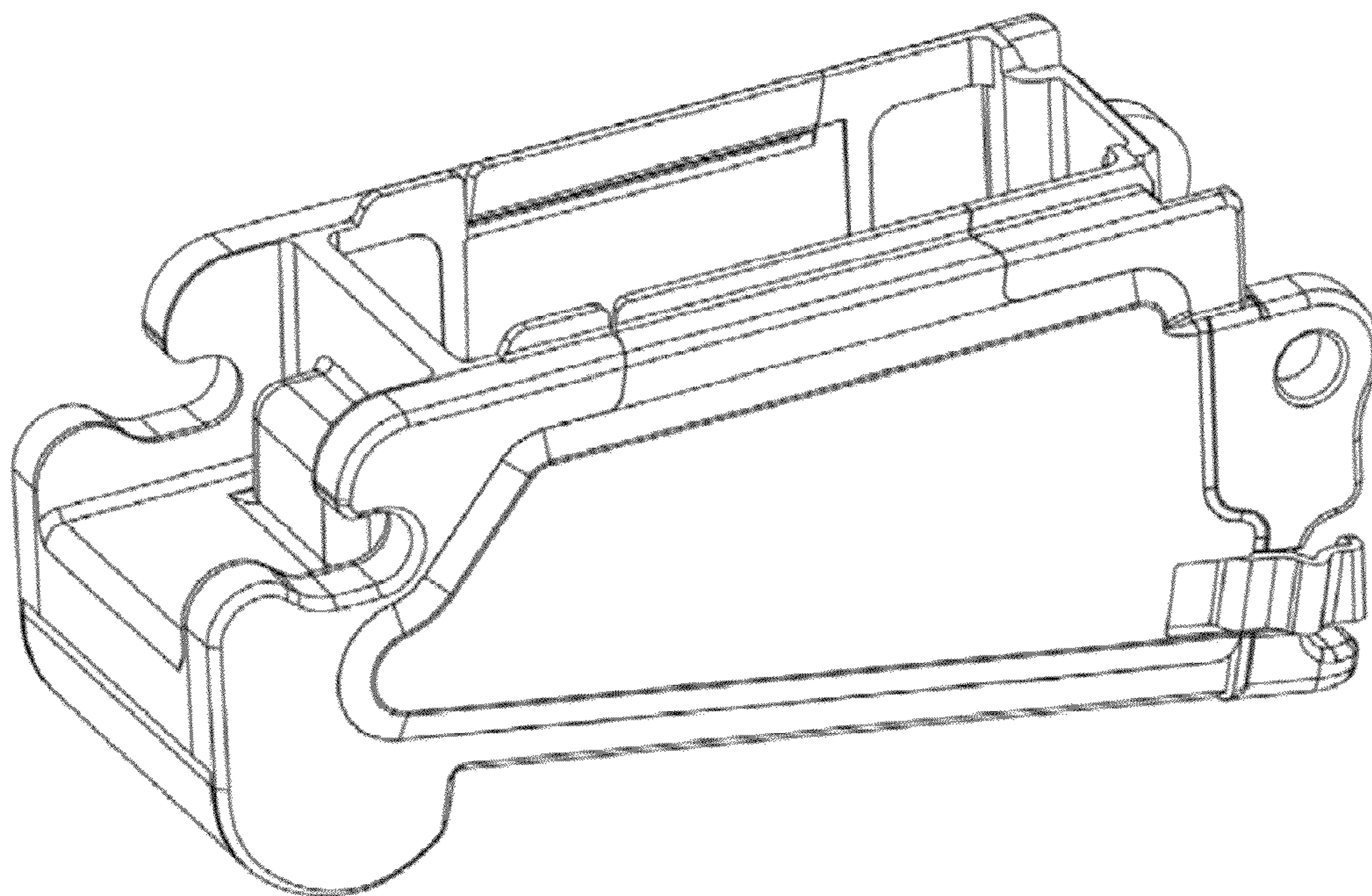
FIG. 5 is a right side elevation view thereof.

FIG. 6 is a front elevation view thereof; and,

FIG. 7 is a left side elevation view thereof.

The broken lines in FIGS. 2 and 6 are included for the purpose of illustrating a portion of the adapter for firearms that forms no part of the claimed design.

1 Claim, 3 Drawing Sheets



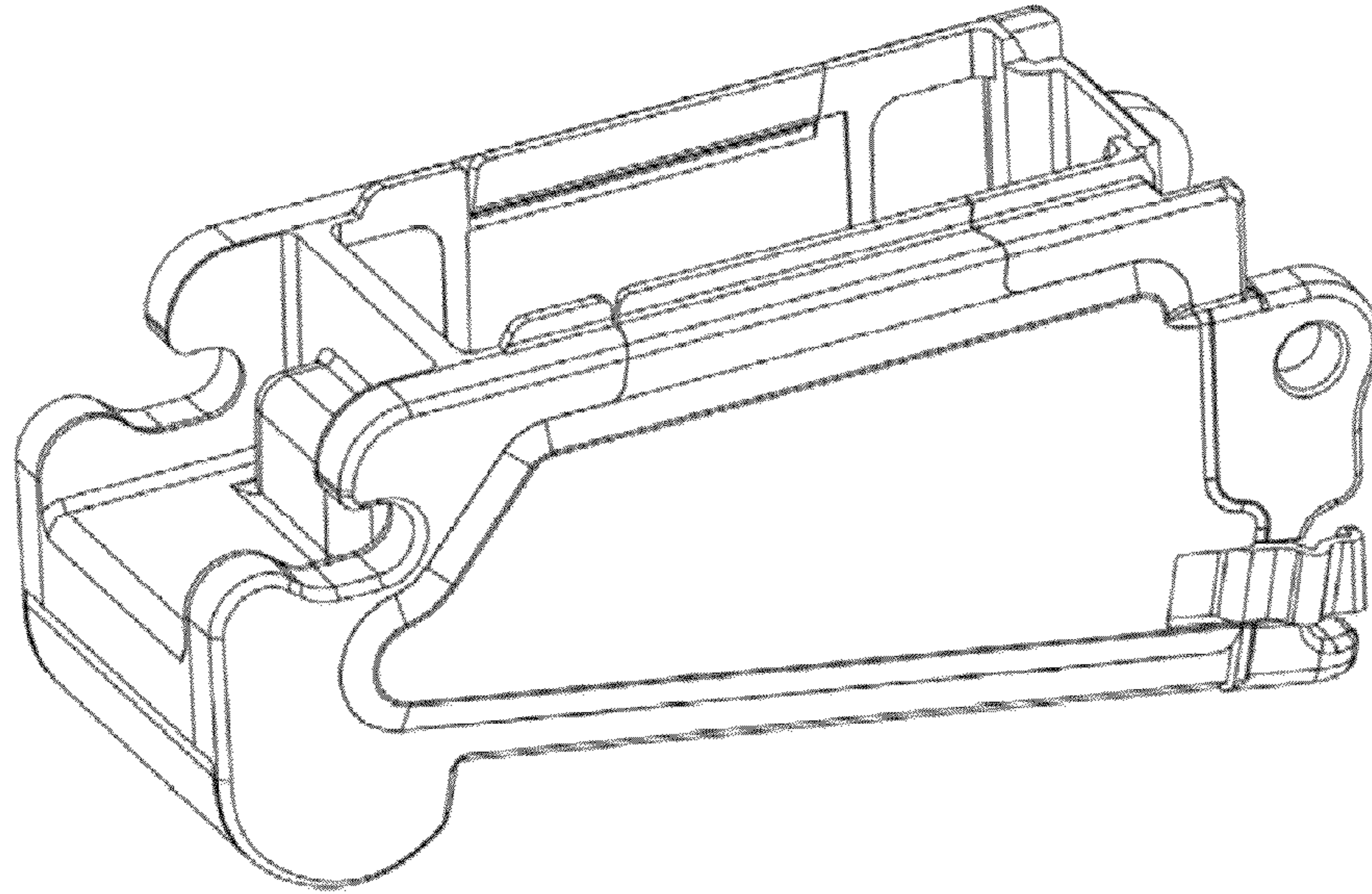


FIG. 1

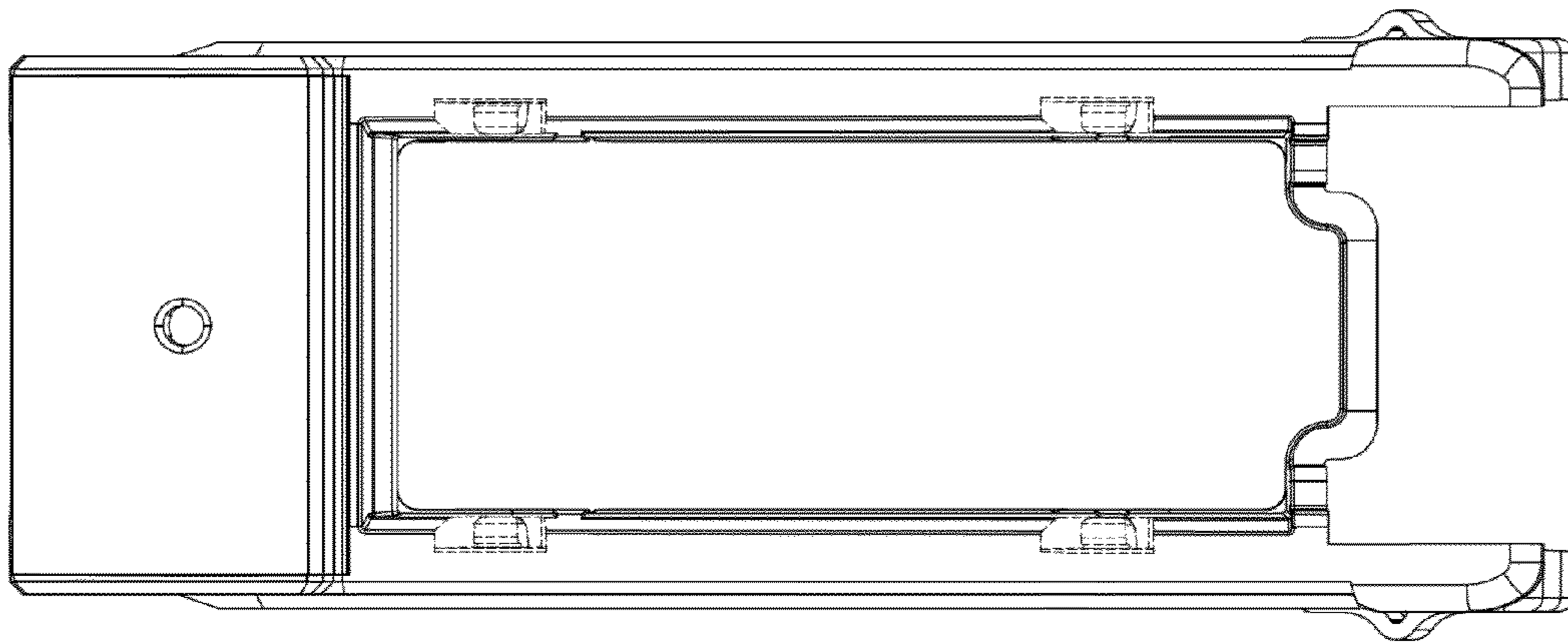


FIG. 2

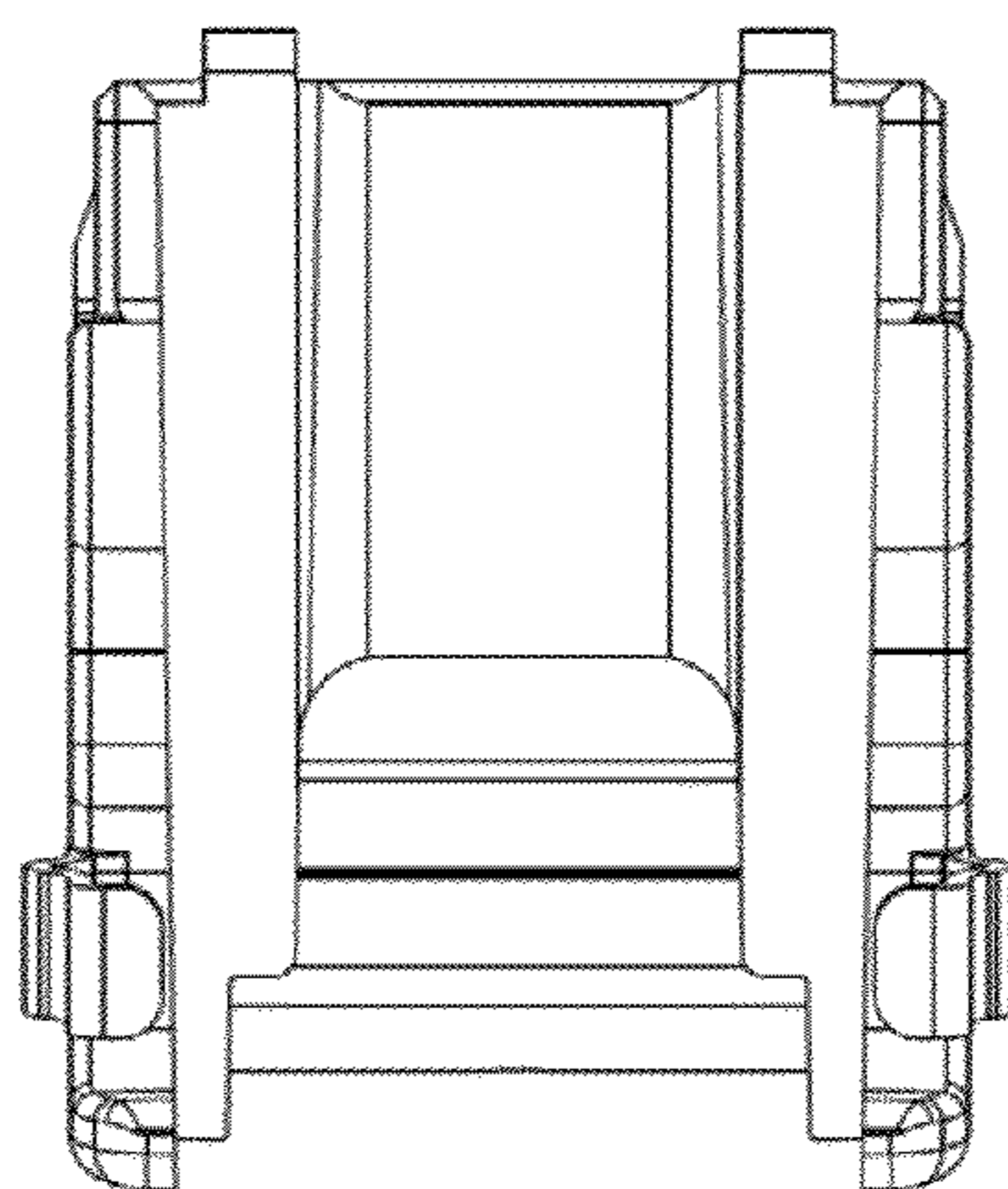


FIG. 3

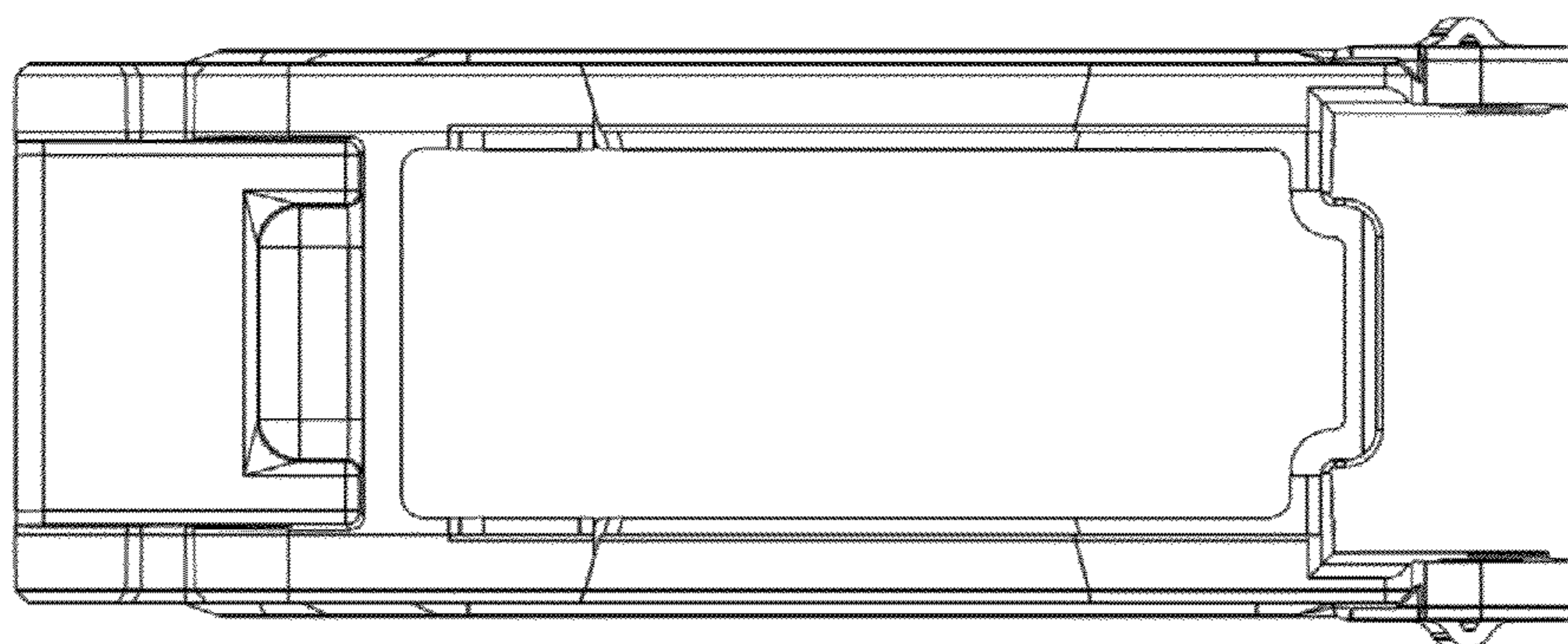


FIG. 4

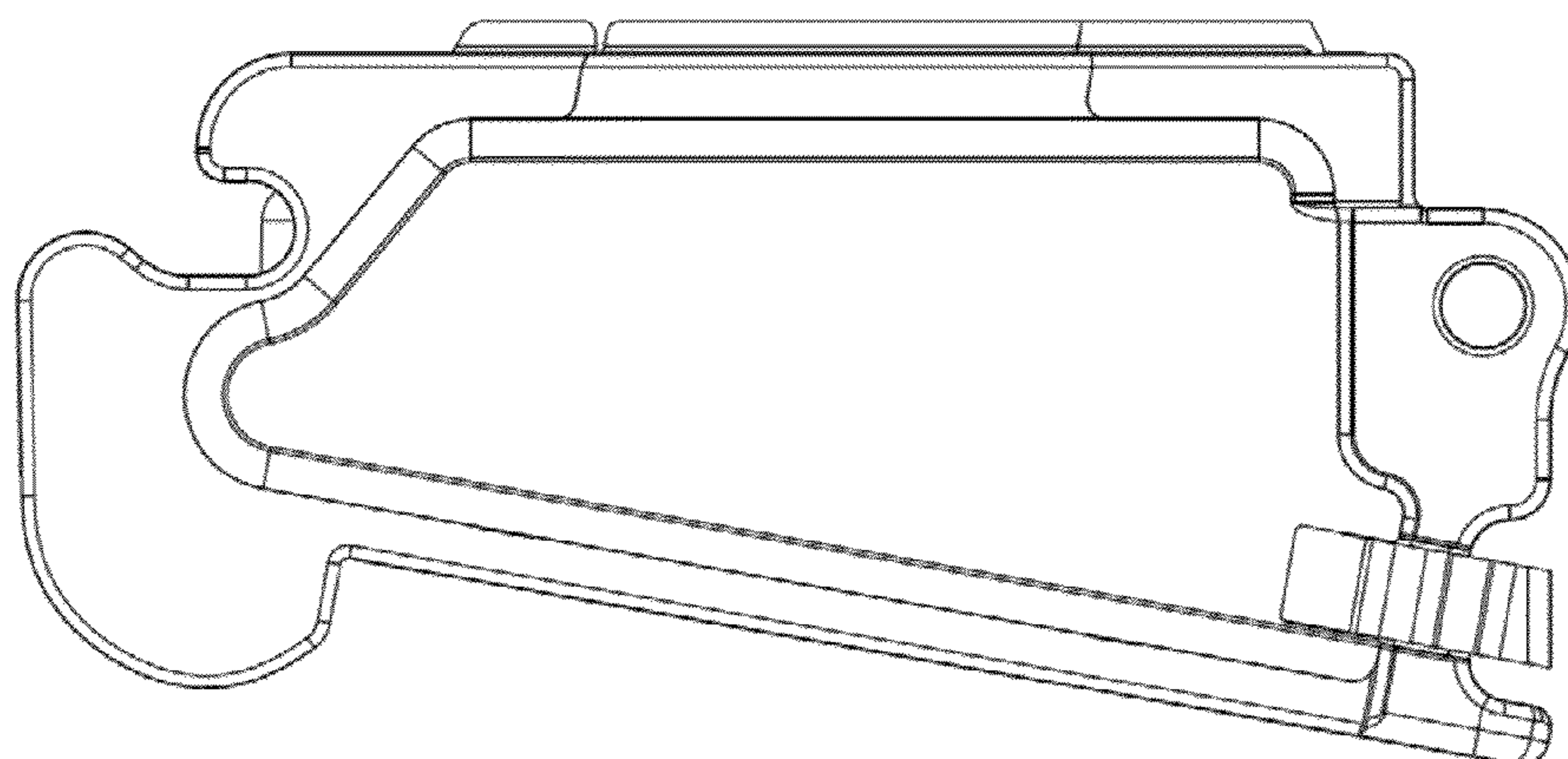


FIG. 5

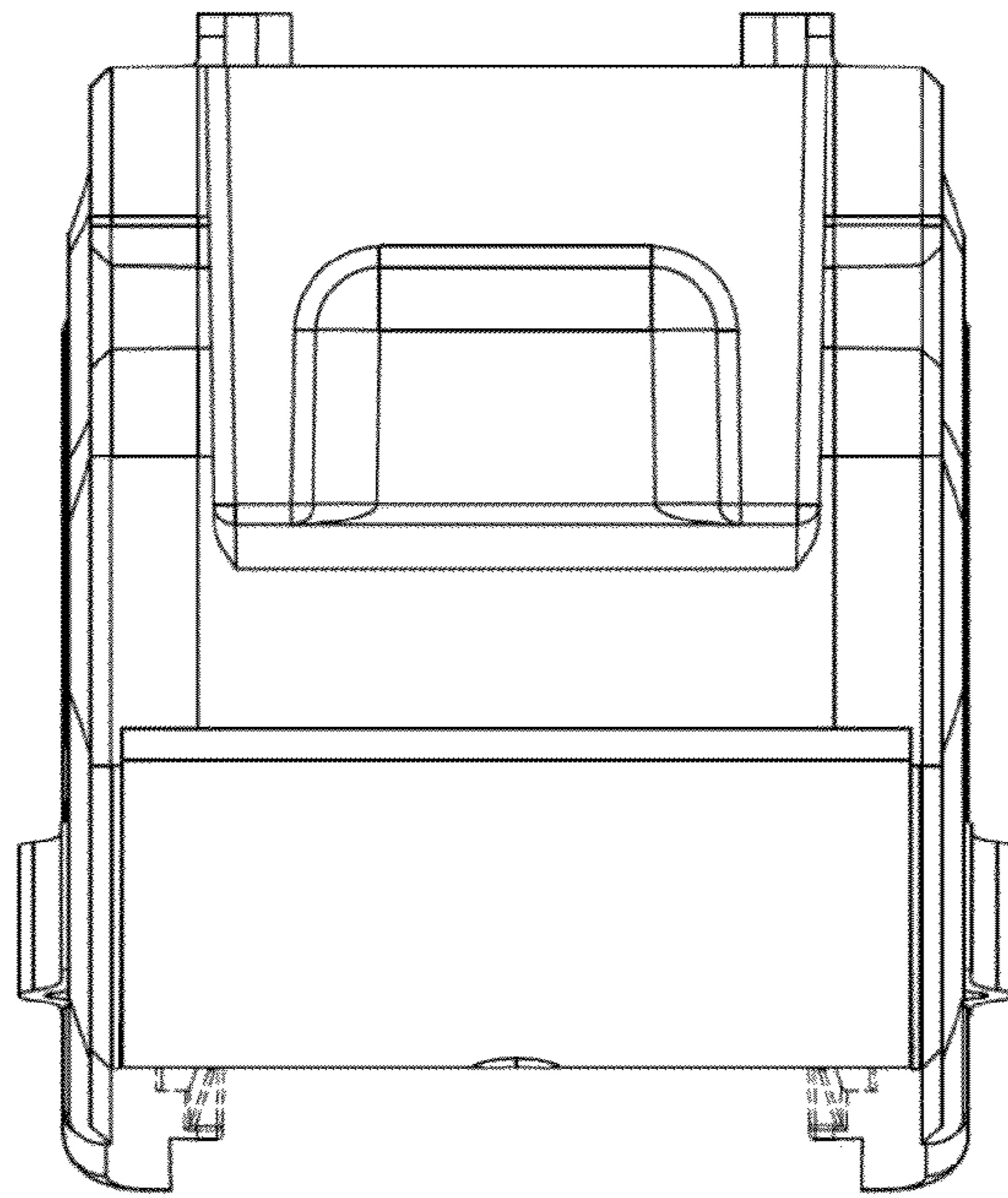


FIG. 6

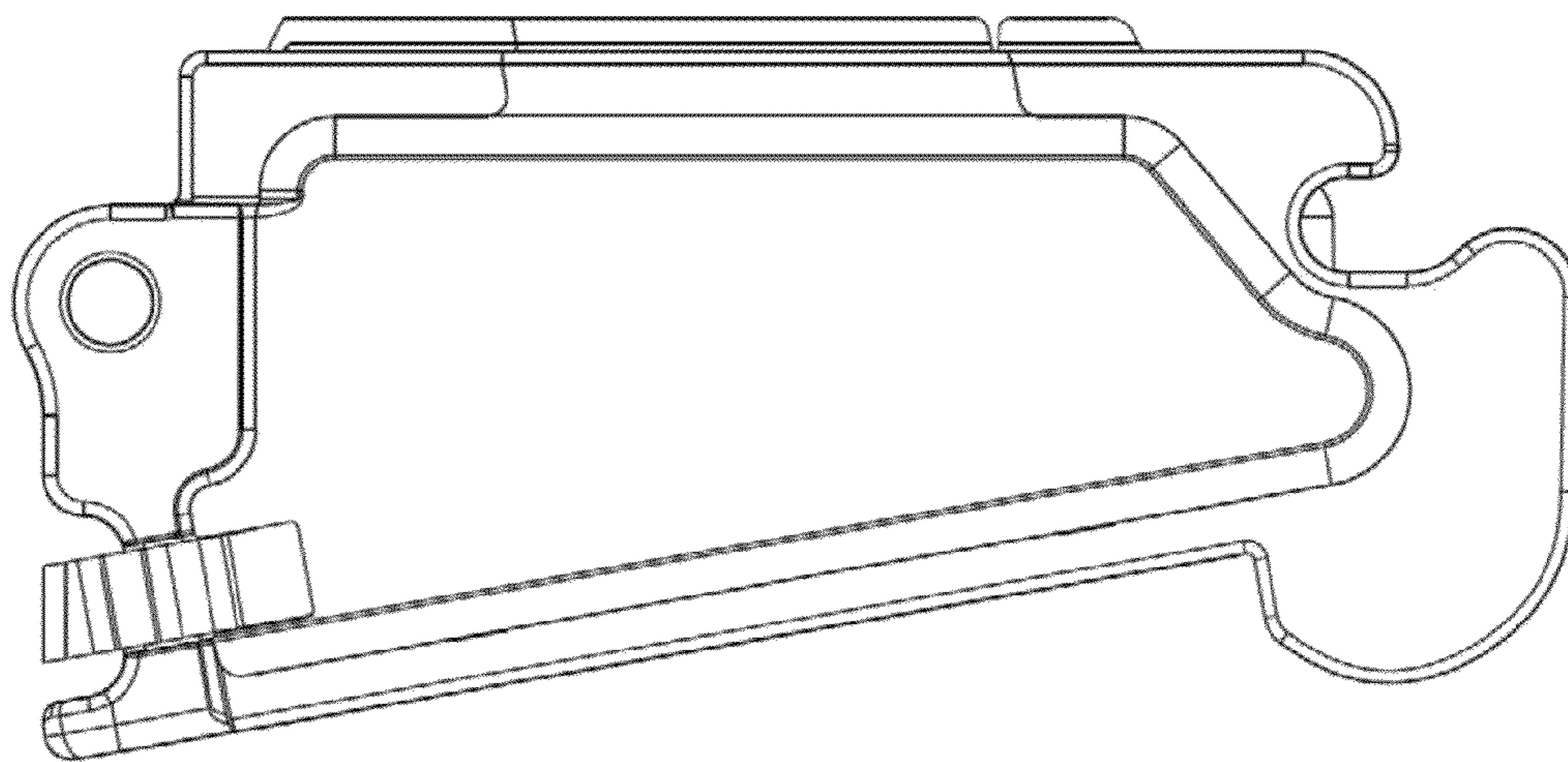


FIG. 7