



US00D693414S

(12) **United States Design Patent**
Hadley et al.

(10) **Patent No.:** **US D693,414 S**

(45) **Date of Patent:** **** Nov. 12, 2013**

(54) **ELECTRIC SCOOTER**

(75) Inventors: **Robert Hadley**, Yorba Linda, CA (US);
Robert Chen, San Marino, CA (US)

(73) Assignee: **Razor USA LLC**, Cerritos, CA (US)

(**) Term: **14 Years**

(21) Appl. No.: **29/415,919**

(22) Filed: **Mar. 15, 2012**

(51) **LOC (9) Cl.** **21-01**

(52) **U.S. Cl.**
USPC **D21/423**

(58) **Field of Classification Search**
USPC D21/419, 421, 423, 426-428, 435,
D21/668-671, 760, 765, 771; D12/1, 8,
D12/108, 112, 113; 280/8, 14.21, 14.25,
280/14.26, 87.041, 87.042, 200, 214, 220,
280/221, 239, 263, 288.1, 288.2, 288.4,
280/809; 180/180, 181, 227, 228

See application file for complete search history.

(56) **References Cited**

U.S. PATENT DOCUMENTS

4,094,372	A	6/1978	Notter	
5,662,187	A	9/1997	McGovern	
6,139,035	A	10/2000	Tsai	
6,273,205	B1	8/2001	Tsai	
6,298,952	B1	10/2001	Tsai	
D456,460	S *	4/2002	Tseng D21/423
6,394,213	B1	5/2002	Tsai	
6,462,493	B2	10/2002	Lan	
6,619,416	B2	9/2003	Lan	

6,739,421	B1	5/2004	Miya	
D497,397	S *	10/2004	Sramek D21/423
6,832,660	B2	12/2004	Dodd	
D516,132	S *	2/2006	Sramek D21/423
D569,447	S *	5/2008	Thomas D21/423
D672,400	S *	12/2012	Pizzi D21/423
2003/0221888	A1	12/2003	McKinney, Jr. et al.	

FOREIGN PATENT DOCUMENTS

CH 598051 4/1978

* cited by examiner

Primary Examiner — Cynthia M Chin

(74) *Attorney, Agent, or Firm* — Knobbe, Martens, Olson & Bear, LLP

(57) **CLAIM**

The ornamental design for an electric scooter, as shown and described.

DESCRIPTION

FIG. 1 is a perspective view showing top, left and rear sides of an electric scooter.

FIG. 2 is a right side view of the electric scooter of FIG. 1.

FIG. 3 is a left side view of the electric scooter of FIG. 1.

FIG. 4 is a front view of the electric scooter of FIG. 1.

FIG. 5 is a rear view of the electric scooter of FIG. 1.

FIG. 6 is a top view of the electric scooter of FIG. 1; and,

FIG. 7 is a bottom view of the electric scooter of FIG. 1.

Where utilized, the broken lines show portions of the electric scooter that form no part of the claimed design.

1 Claim, 5 Drawing Sheets



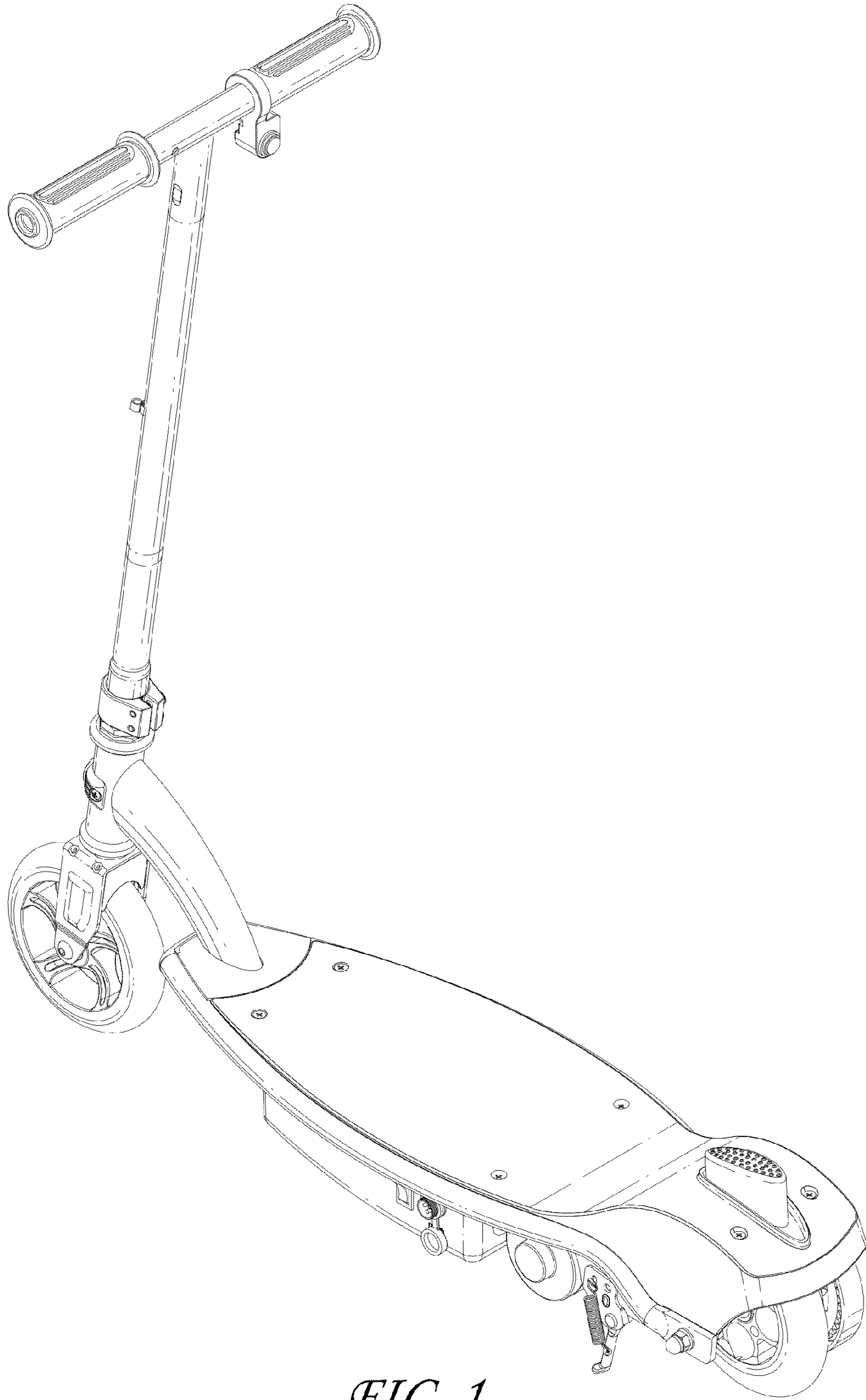


FIG. 1

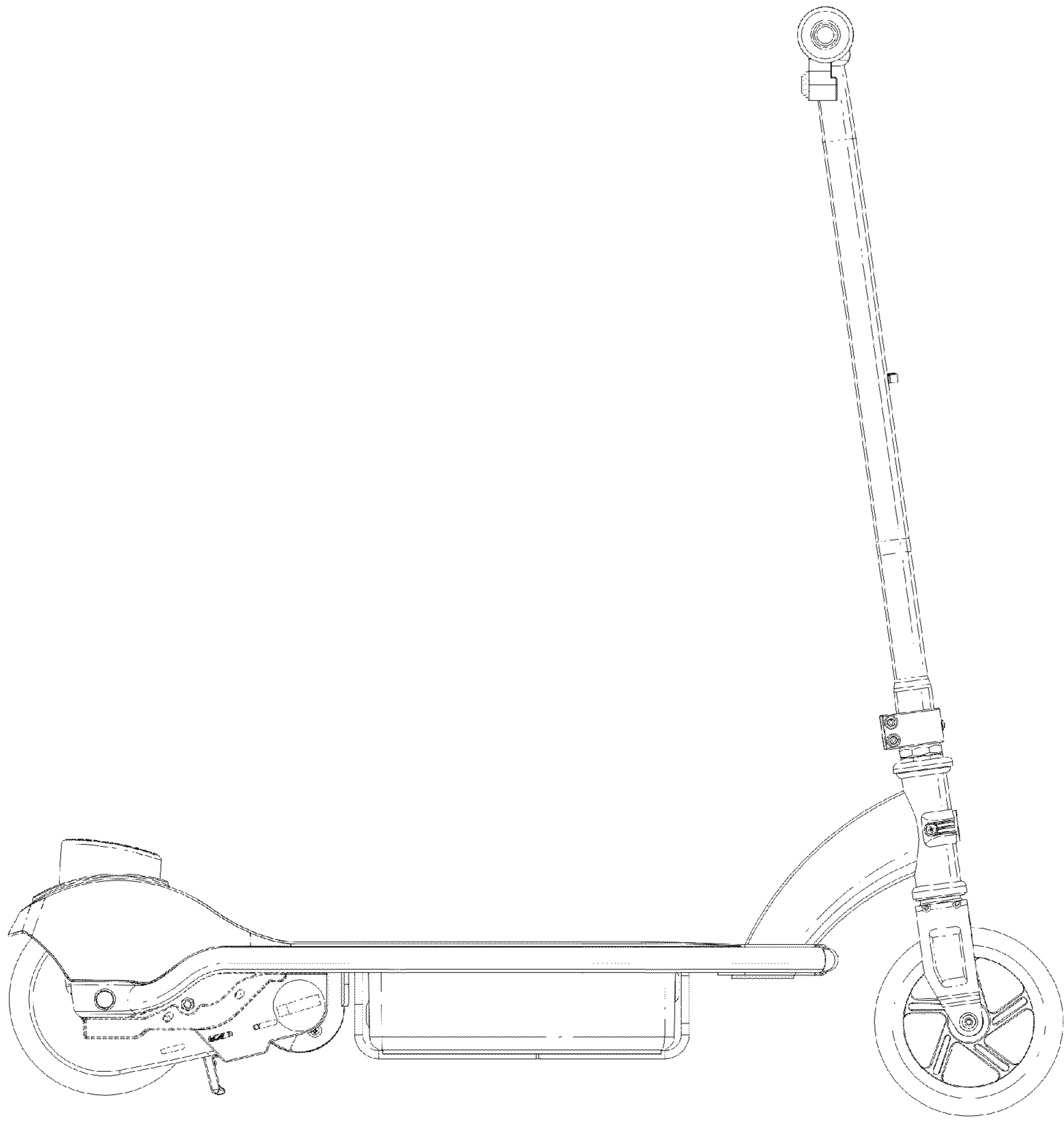


FIG. 2

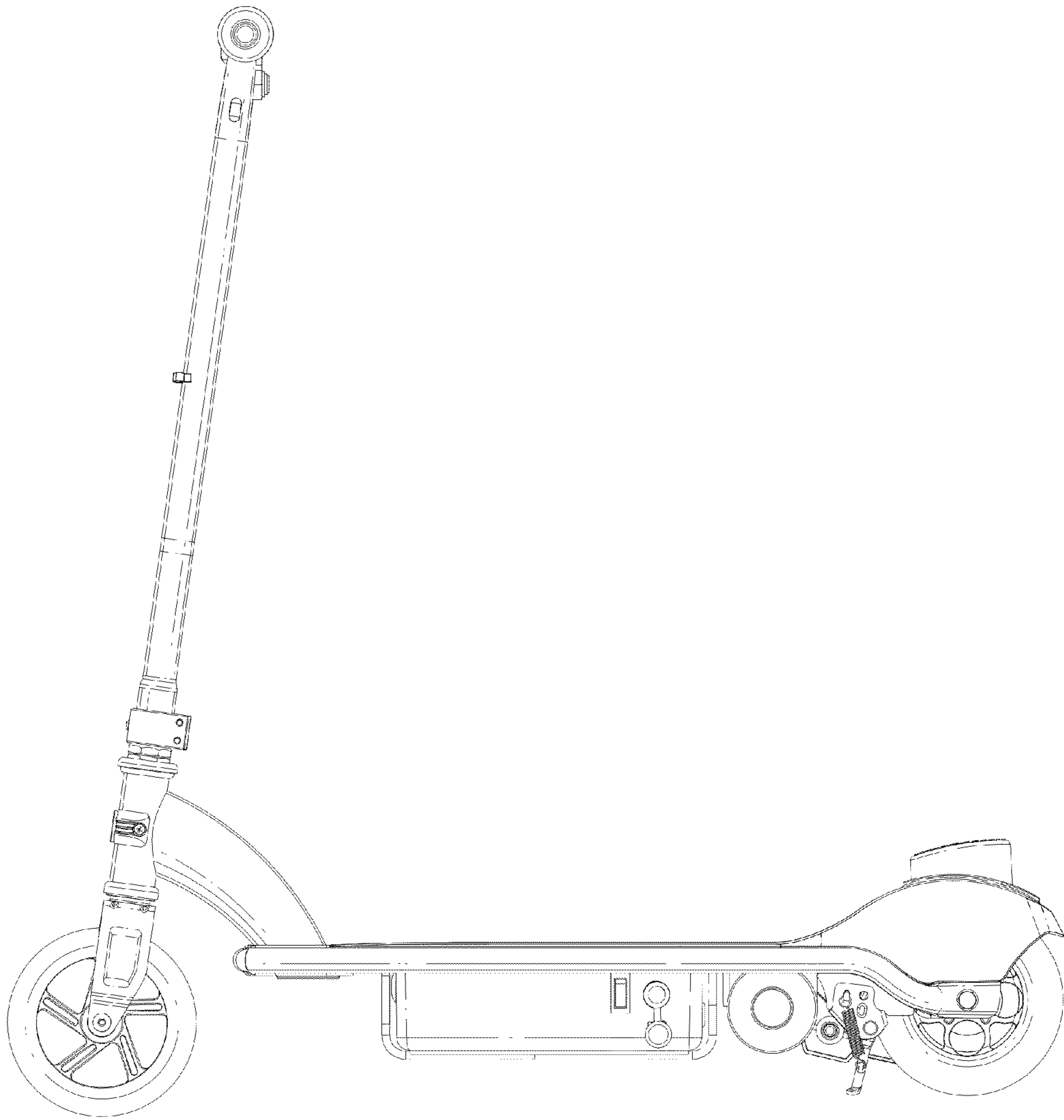


FIG. 3

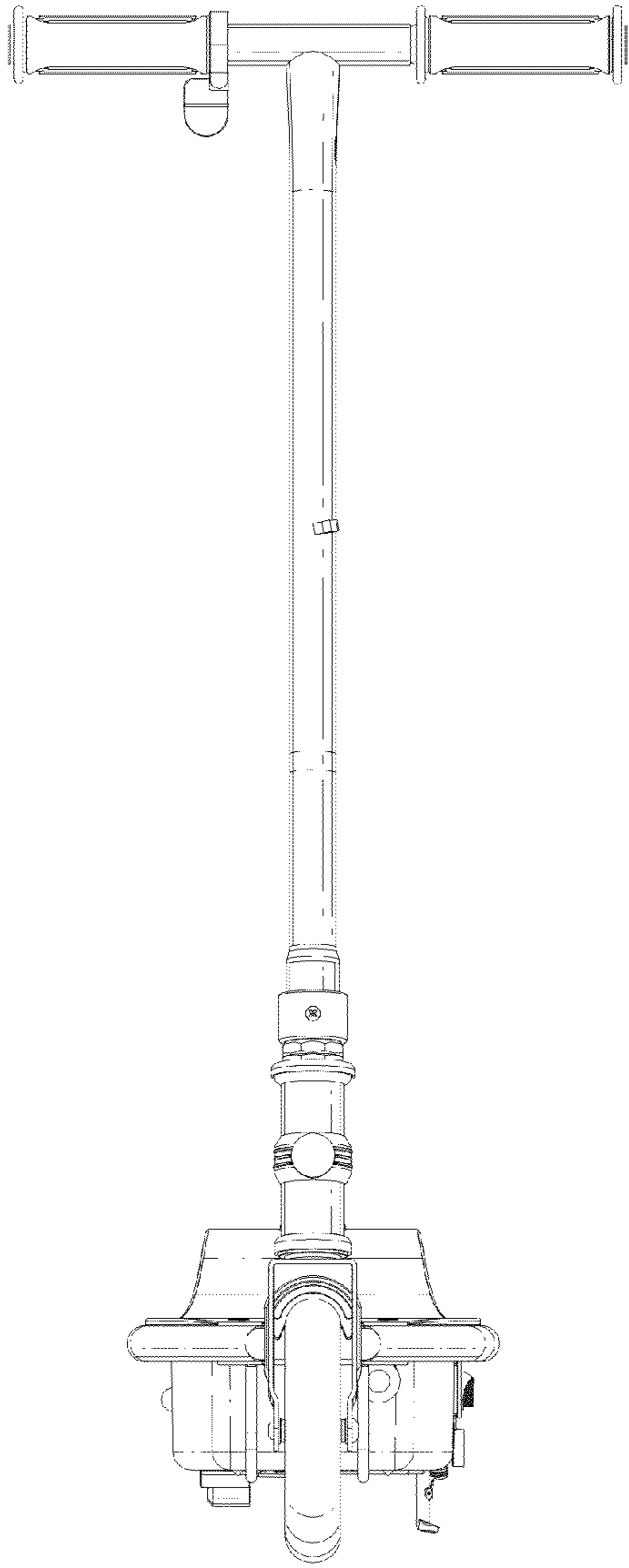


FIG. 4

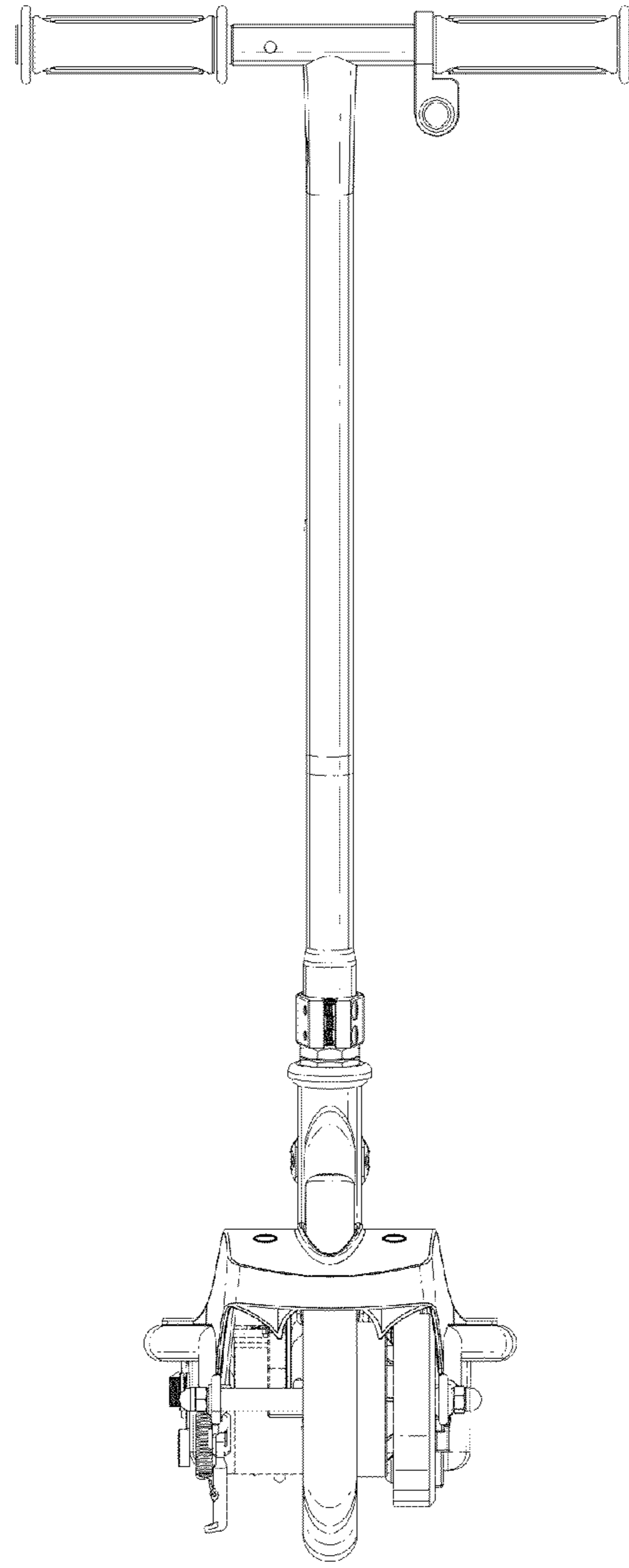


FIG. 5

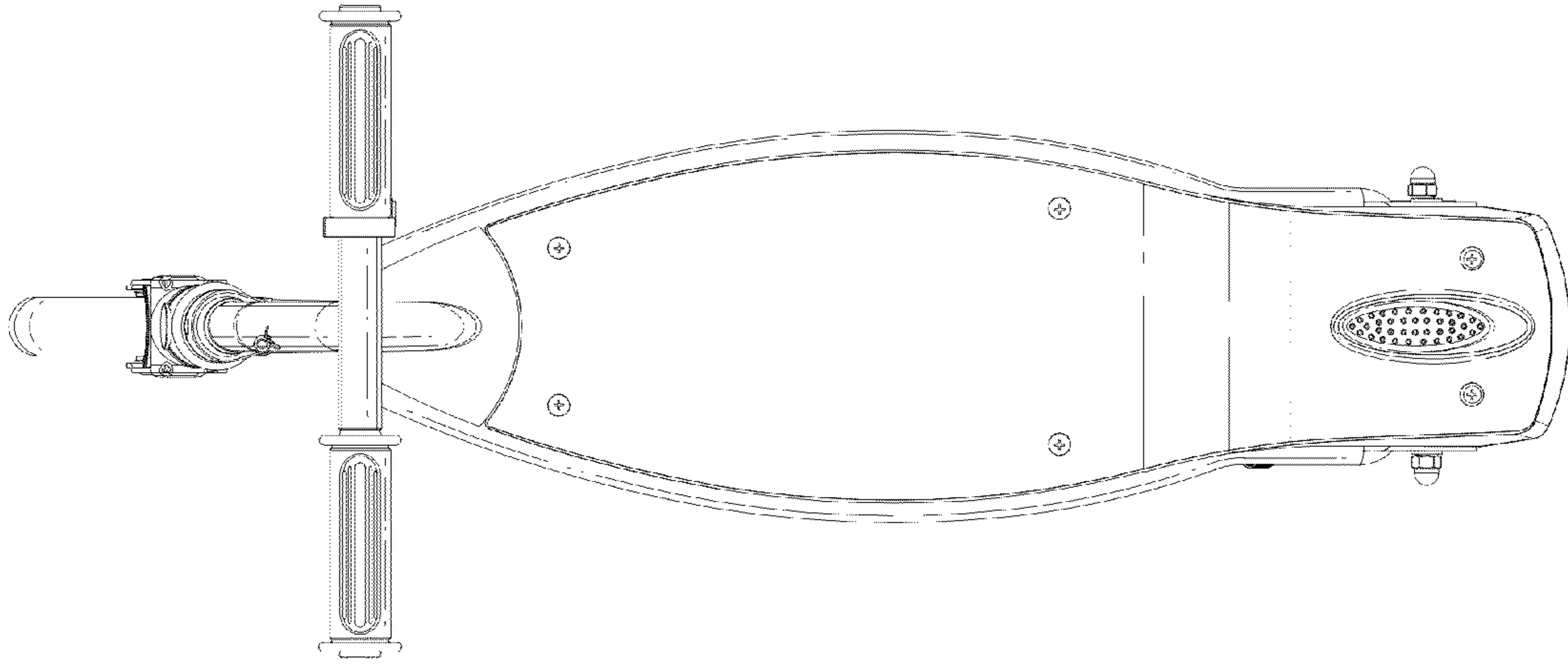


FIG. 6

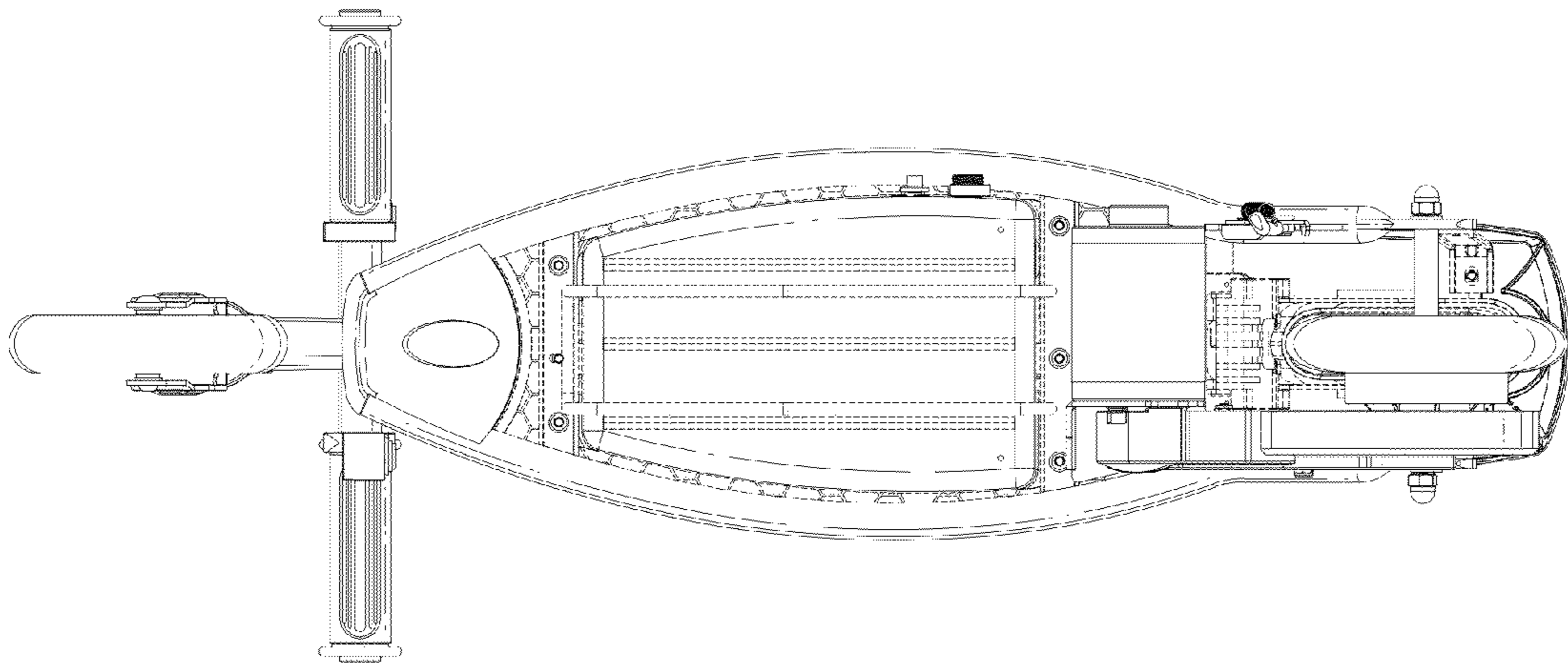


FIG. 7