



US00D693410S

(12) **United States Design Patent**
Dunbar

(10) **Patent No.:** **US D693,410 S**

(45) **Date of Patent:** **** Nov. 12, 2013**

(54) **MOLD FOR ICE SHOOTING TARGETS**

(75) Inventor: **Matthew Gene Dunbar**, Jonesville, MI (US)

(73) Assignee: **Eco-Target, L.L.C.**, Hillsdale, MI (US)

(**) Term: **14 Years**

(21) Appl. No.: **29/420,003**

(22) Filed: **May 3, 2012**

(51) **LOC (9) Cl.** **21-01**

(52) **U.S. Cl.**
USPC **D21/318; D21/333**

(58) **Field of Classification Search**
USPC D21/318, 312, 314, 338; 273/108, 273/108.1, 110, 236, 277, 284, 285, 287
See application file for complete search history.

(56) **References Cited**

U.S. PATENT DOCUMENTS

D245,718	S	*	9/1977	Maloney, II	D21/318
5,074,556	A	*	12/1991	Loeppky et al.	273/108.5
5,242,164	A	*	9/1993	Nicoll	273/317.1
5,312,109	A	*	5/1994	Cagle	473/446
D446,250	S	*	8/2001	Quiroga et al.	D21/318

7,147,225	B2	*	12/2006	Navarro	273/242
7,204,487	B1	*	4/2007	Pohl	273/108.5
D587,318	S	*	2/2009	Bossio et al.	D21/318
D604,772	S	*	11/2009	Tower et al.	D21/318

* cited by examiner

Primary Examiner — Prabhakar Deshmukh

(74) *Attorney, Agent, or Firm* — Dykema Gossett PLLC

(57) **CLAIM**

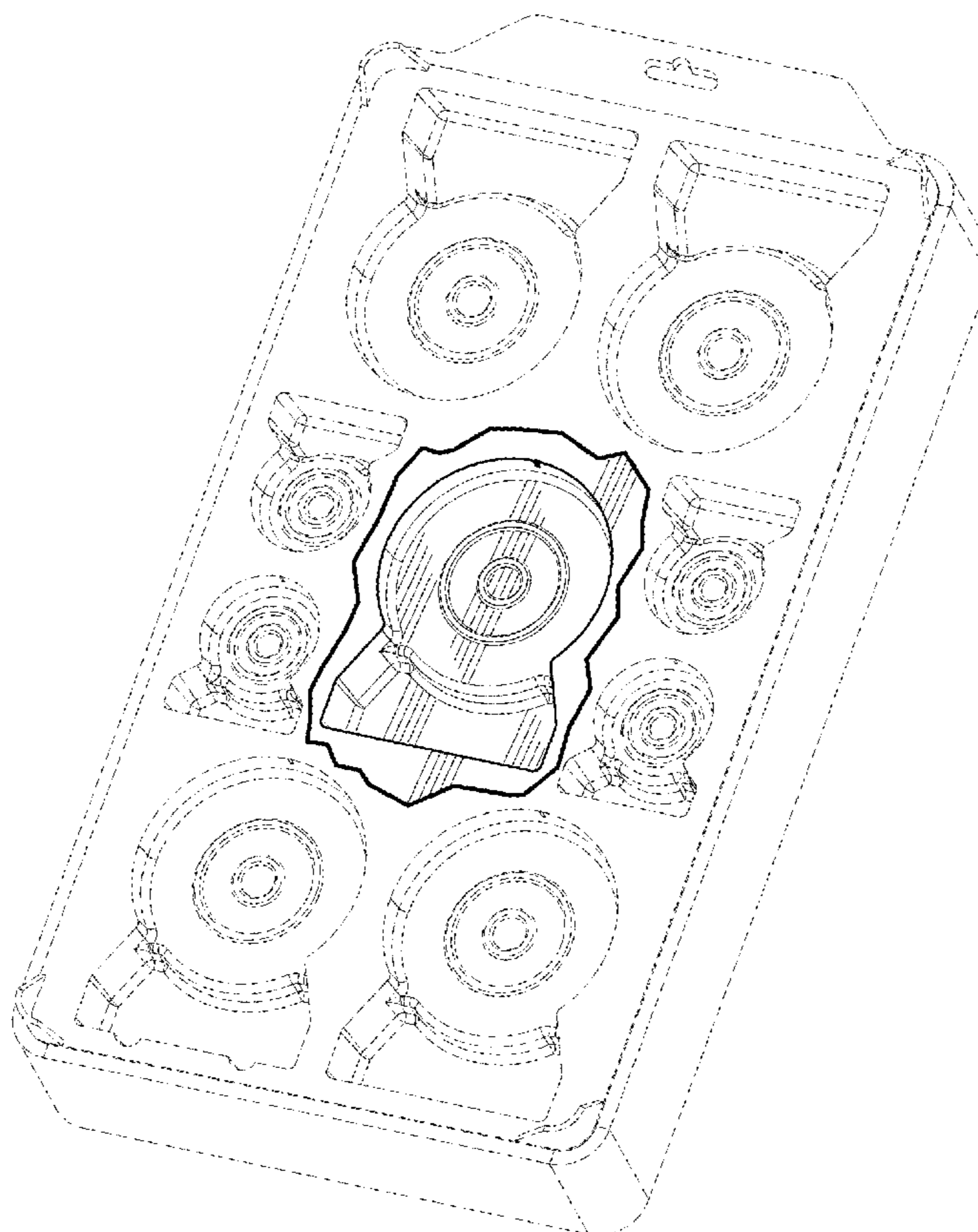
The ornamental design for a mold for ice shooting targets, as shown and described.

DESCRIPTION

FIG. 1 is a perspective view of a mold for ice shooting targets showing my new design;
FIG. 2 is a top plan view thereof;
FIG. 3 is a right side elevational view thereof;
FIG. 4 is front elevational view thereof;
FIG. 5 is a rear elevational view thereof;
FIG. 6 is a bottom plan view thereof; and,
FIG. 7 is an enlarged cross sectional view taken along line 7-7 of FIG. 2.

The broken lines associated with the molds are for illustrative purpose only and form no part of the claimed design.

1 Claim, 3 Drawing Sheets



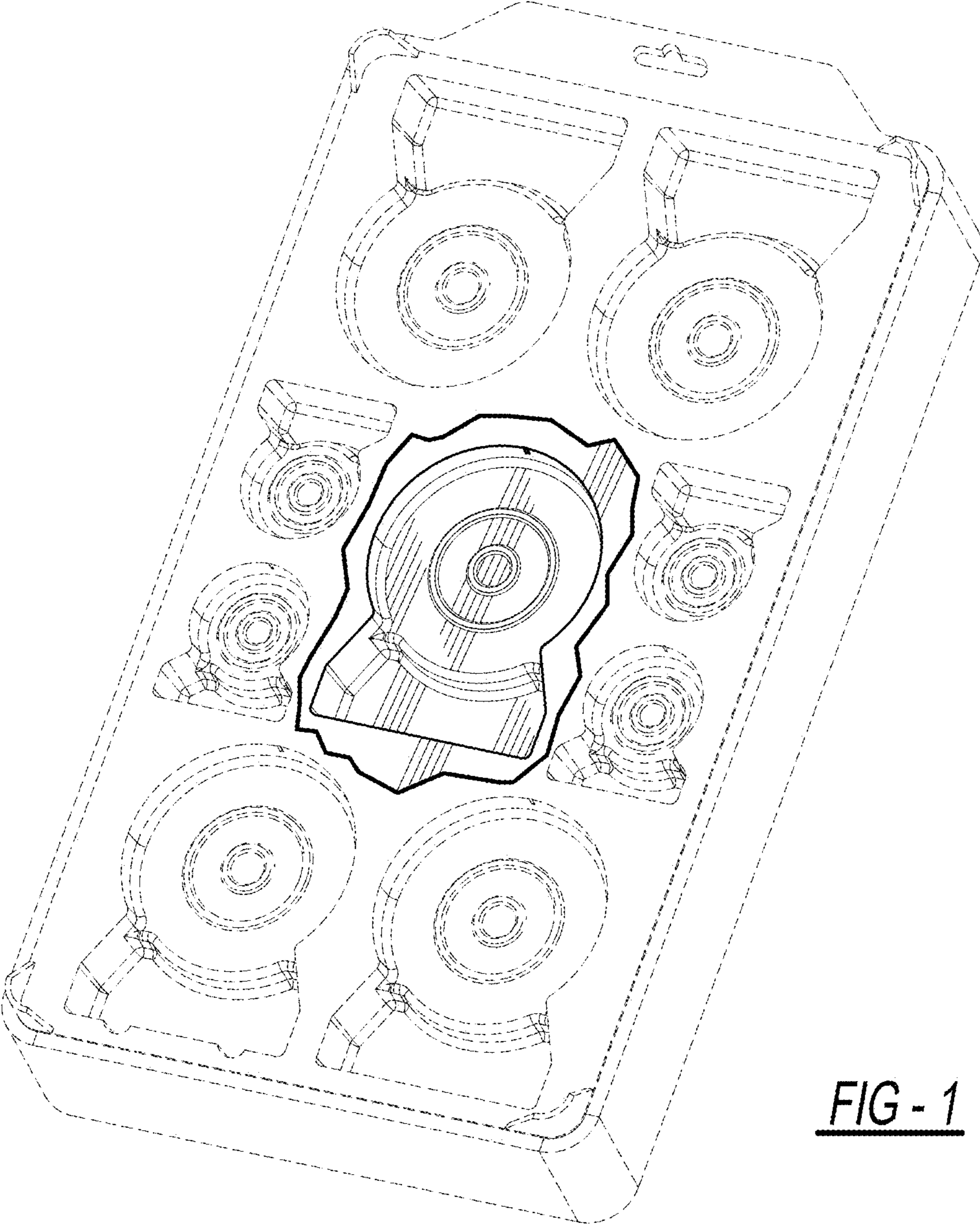


FIG - 1

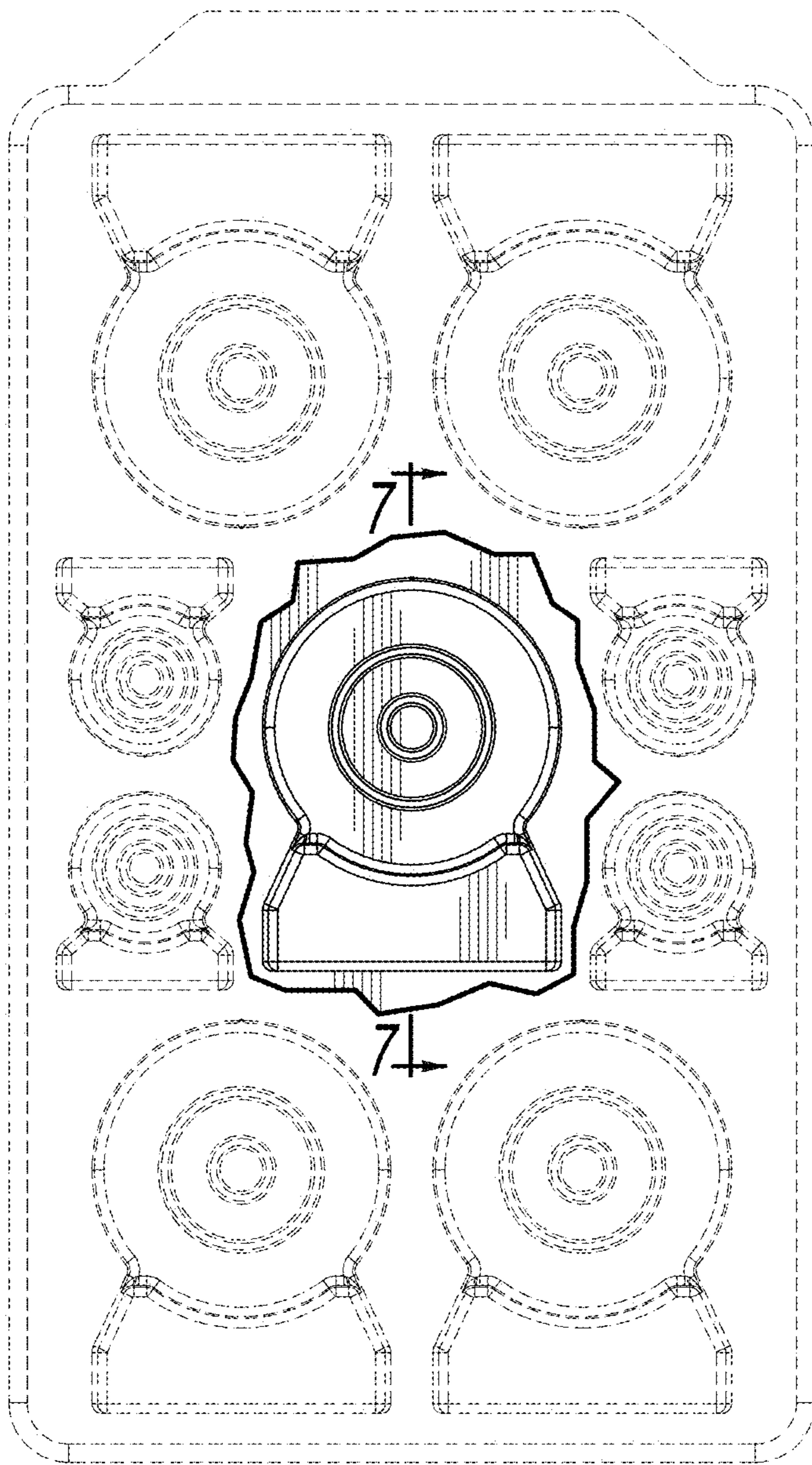


FIG - 2

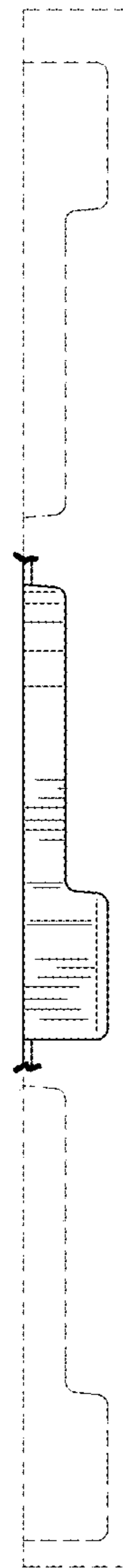


FIG - 3

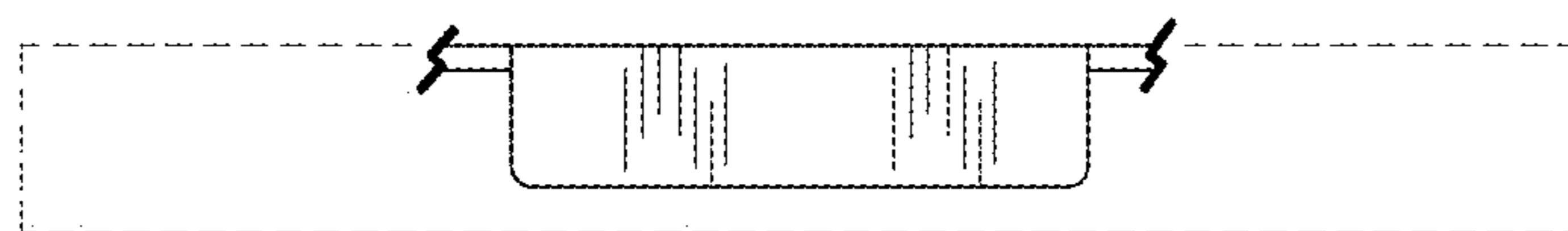


FIG - 4

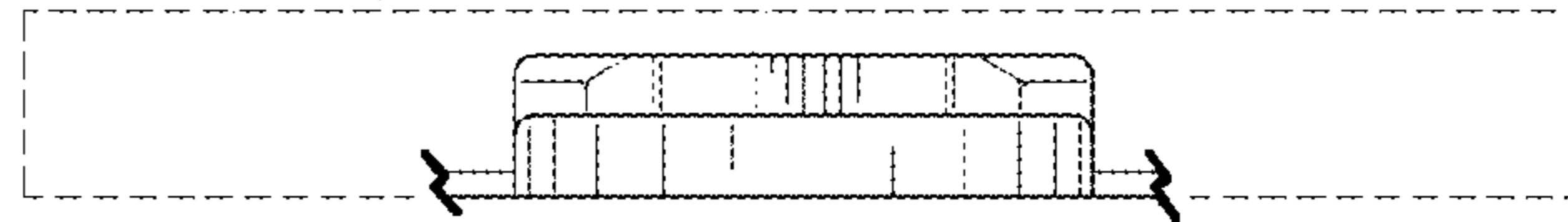


FIG - 5

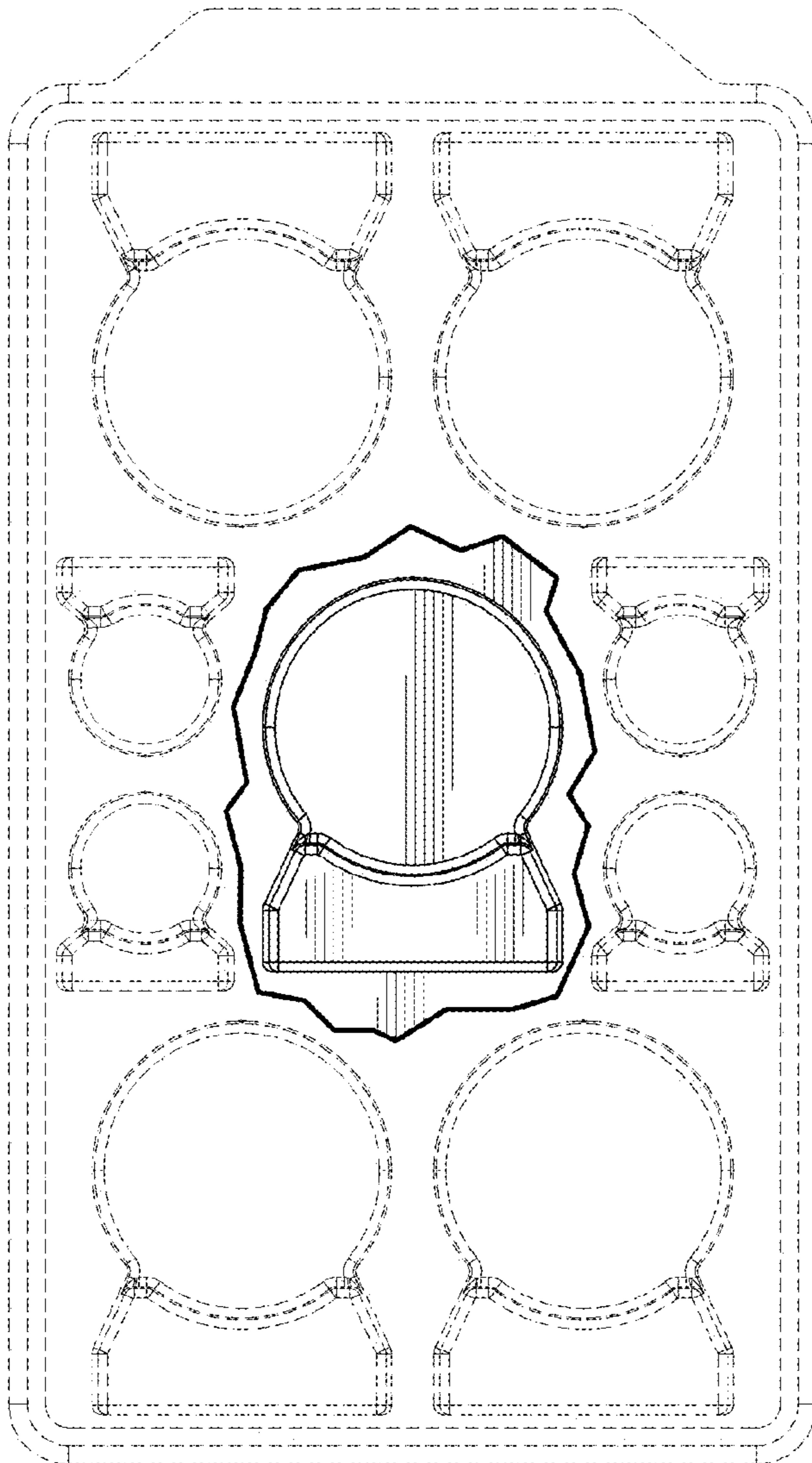


FIG - 6

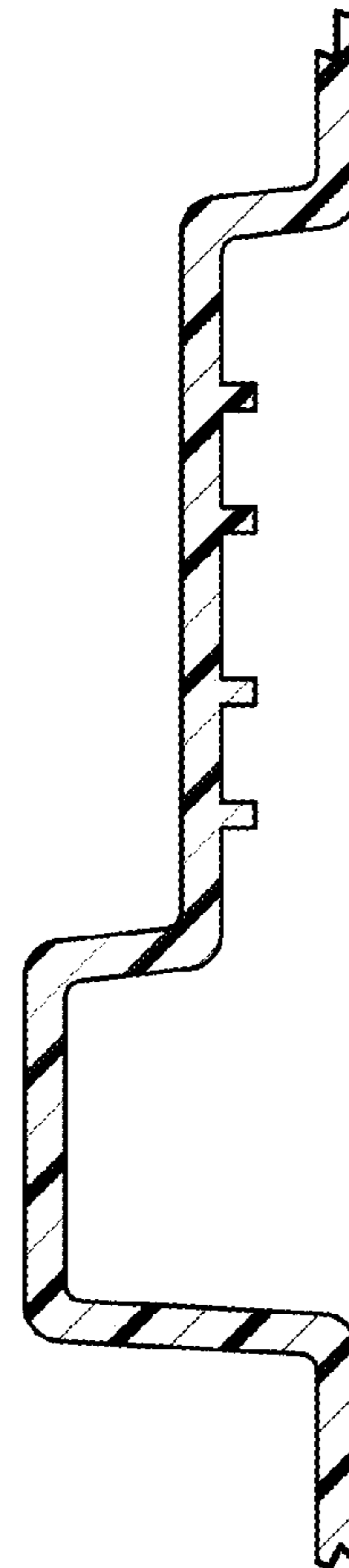


FIG - 7