



US00D693409S

(12) **United States Design Patent**
Clark et al.

(10) **Patent No.:** **US D693,409 S**
(45) **Date of Patent:** **** Nov. 12, 2013**

(54) **SIGN HOLDER**

(75) Inventors: **Jeremy A. Clark**, Minneapolis, MN (US); **Robert G. Logan**, Blaine, MN (US); **David Cheney**, St. Paul, MN (US)

(73) Assignee: **Target Brands, Inc.**, Minneapolis, MN (US)

(**) Term: **14 Years**

(21) Appl. No.: **29/417,399**

(22) Filed: **Apr. 3, 2012**

(51) **LOC (9) Cl.** **20-03**

(52) **U.S. Cl.**
USPC **D20/43**

(58) **Field of Classification Search**
USPC D20/10, 19, 41-44, 99; 40/546, 591, 40/607.11, 606.15, 607.12, 611.01, 40/611.05-611.07, 611.13, 617, 618, 620, 40/622, 642.01, 642.02, 649-651, 658, 40/659, 661, 661.02, 661.03; D6/300, D6/314; 211/57.1, 87.01; 248/201, 220.22, 248/220.42, 222.12, 223.41, 231.71, 282.1
See application file for complete search history.

(56) **References Cited**

U.S. PATENT DOCUMENTS

339,061	A *	3/1886	Joseph	248/231.71
795,311	A	7/1905	Shepley		
D78,442	S	5/1929	Carson		
1,729,417	A	9/1929	Courtenay		
1,741,118	A	12/1929	Rosenfeld et al.		
1,798,199	A	3/1931	Gans		

(Continued)

OTHER PUBLICATIONS

Southern Imperial, Inc., "Chrome Sign Holders," www.southernimperial.com/sign-holders-chrome-c-90_225.html, avail-

able at least as early as Jan. 16, 2010 per www.internetarchive.org (2 pages).

(Continued)

Primary Examiner — Mary Ann Calabrese
(74) *Attorney, Agent, or Firm* — Griffiths & Seaton PLLC; JoAnn M. Seaton

(57) **CLAIM**

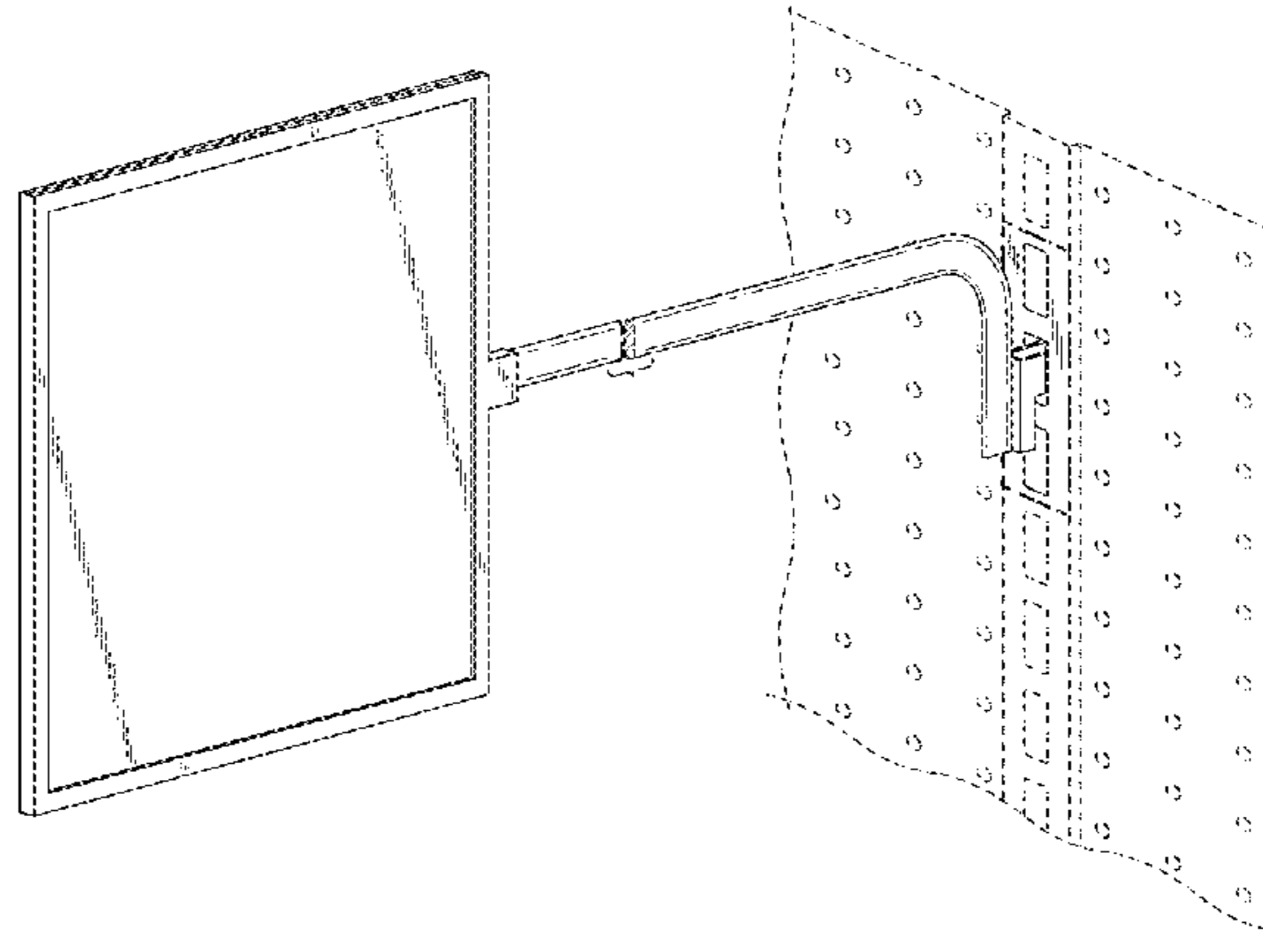
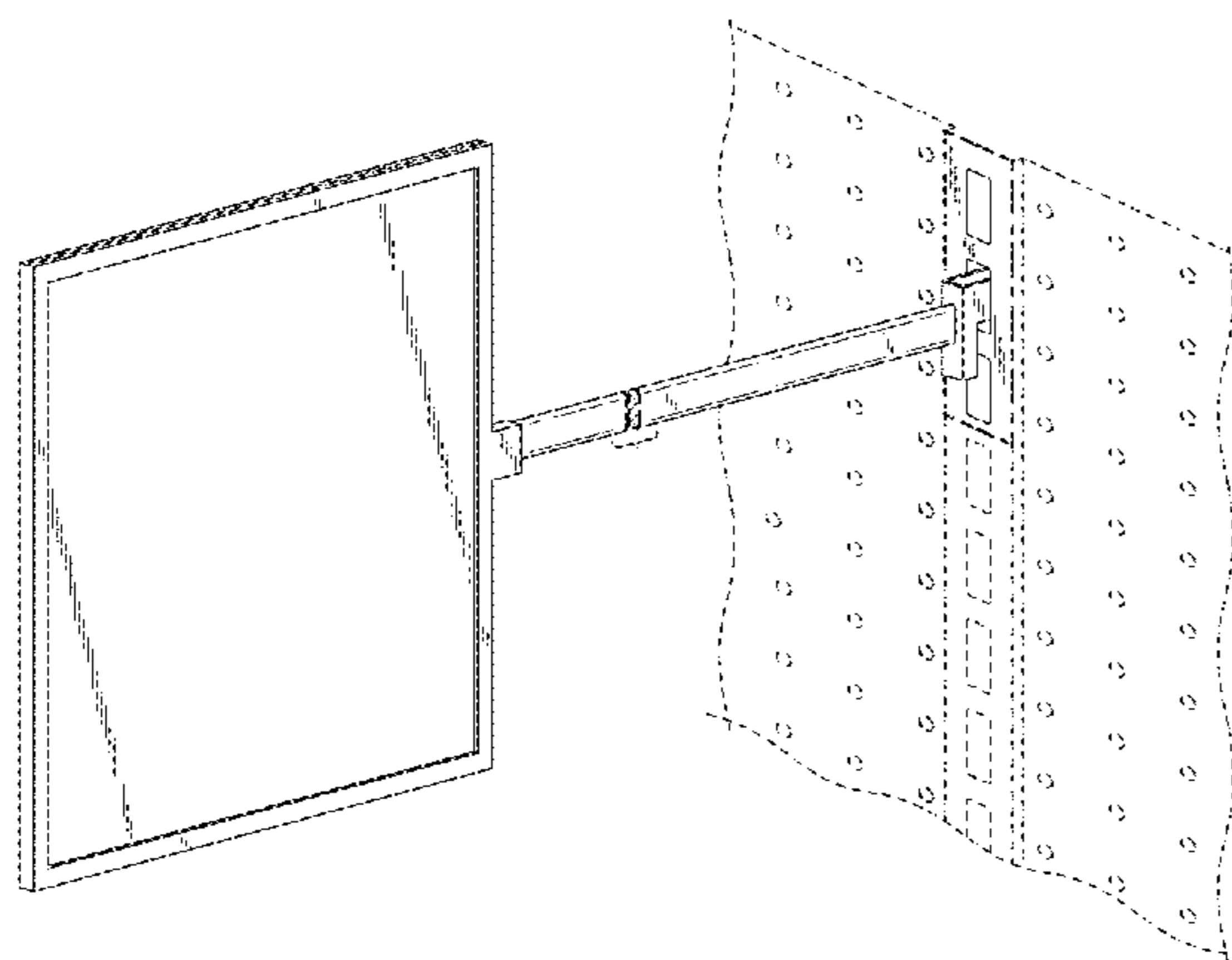
The ornamental design for a sign holder, as shown and described.

DESCRIPTION

FIG. 1 is a front, perspective view of a sign holder showing a first embodiment of our new design;
FIG. 2 is a right side view thereof; the left side view being identical to the right side view;
FIG. 3 is a cross-sectional rear view taken along the line 3-3 in FIG. 2; it being understood that any rear surfaces not illustrated in FIGS. 1-6 are unclaimed;
FIG. 4 is a front view thereof;
FIG. 5 is a top view thereof; and
FIG. 6 is a bottom view thereof.
FIG. 7 is a front, perspective view of a sign holder showing a second embodiment of our new design;
FIG. 8 is a right side view thereof; the left side view being identical to the right side view;
FIG. 9 is a cross-sectional rear view taken along the line 9-9 in FIG. 8; it being understood that any rear surfaces not illustrated in FIGS. 7-12 are unclaimed;
FIG. 10 is a front view thereof;
FIG. 11 is a top view thereof; and
FIG. 12 is a bottom view thereof.

The broken away and bracketed portions shown in the Figures represent no specific length for those portions. The features shown in broken lines depict environmental subject matter only and form no part of the claimed design. Bolded, long dash-short dash lines indicate the boundaries of the claimed subject matter and otherwise form no part of the claimed design.

1 Claim, 10 Drawing Sheets



(56)

References Cited

U.S. PATENT DOCUMENTS

1,854,145 A 4/1932 Wright
 1,866,723 A * 7/1932 Powers 248/282.1
 1,906,668 A 5/1933 Valk
 1,947,341 A 2/1934 Hallowell
 1,952,250 A 3/1934 Hallowell et al.
 2,070,652 A * 2/1937 Elmer 40/651
 2,091,053 A 8/1937 Perkins
 2,130,945 A 9/1938 Brownell
 2,172,787 A 9/1939 Brownell
 D124,524 S 1/1941 Benioff
 2,787,433 A * 4/1957 Slavsky et al. 248/231.71
 2,850,820 A 9/1958 Lersch
 2,915,944 A 12/1959 Butts
 2,916,839 A 12/1959 Wheaton
 2,921,393 A 1/1960 Wood
 2,923,078 A 2/1960 Slavsky
 2,941,321 A 6/1960 Wood
 2,983,475 A 5/1961 Slavsky
 3,041,760 A 7/1962 Slavsky
 3,070,911 A 1/1963 Slavsky
 3,071,880 A 1/1963 Taub
 3,226,072 A 12/1965 Johnson
 3,250,235 A 5/1966 McDonnell
 4,209,928 A 7/1980 Kraayvanger
 4,384,418 A 5/1983 Alley
 D270,046 S 8/1983 Burkheimer
 4,660,310 A 4/1987 Farmer
 4,706,400 A * 11/1987 Howard et al. 40/617
 4,909,464 A 3/1990 Levin et al.
 D307,448 S 4/1990 Akard
 5,103,581 A 4/1992 Novak
 5,111,606 A * 5/1992 Reynolds 40/661.02
 5,271,593 A * 12/1993 Kinner et al. 248/442.2
 5,617,661 A 4/1997 Mason
 5,655,271 A 8/1997 Maxwell-Trumble et al.
 5,678,791 A 10/1997 Maeng

5,722,623 A * 3/1998 Gibson 248/201
 5,832,644 A 11/1998 Mason
 D413,543 S 9/1999 Behr
 D419,604 S 1/2000 Emmett
 6,019,328 A 2/2000 Allen
 6,094,849 A 8/2000 Phillips et al.
 D441,402 S 5/2001 Chesler
 6,338,212 B1 * 1/2002 Santa Cruz et al. 40/607.12
 6,354,546 B1 3/2002 Mueller
 6,363,643 B1 4/2002 Padiak et al.
 6,581,312 B2 6/2003 Padiak et al.
 6,651,369 B1 11/2003 Keating et al.
 D514,165 S 1/2006 McCudden et al.
 D526,362 S 8/2006 Priegel
 7,401,430 B2 7/2008 Lindquist et al.
 D574,989 S 8/2008 Rodzwell
 D586,861 S * 2/2009 Noble D20/43
 D601,833 S 10/2009 Stukenberg
 D602,092 S 10/2009 Tonnessen et al.
 7,814,692 B2 10/2010 Wiltfang et al.
 2002/0104246 A1 * 8/2002 Reynolds 40/642.02
 2002/0174582 A1 11/2002 Garfinkle et al.
 2003/0019988 A1 1/2003 Barber
 2009/0255157 A1 * 10/2009 Kim 40/546
 2013/0042511 A1 * 2/2013 Schwartz 40/611.01

OTHER PUBLICATIONS

Excerpt from 2011 Display & Fixture Solutions Guide by Southern Imperial, Inc., publicly available at www.southernimperial.com more than one year prior to Apr. 3, 2012 (1 page).
 Southern Imperial, Inc., "Modular Sign Holders," www.southernimperial.com/sign-holders-modular-c-90_224.html, available at least as early as Apr. 14, 2011 per www.internetarchive.org (2 pages).
 Office Action from Canadian Patent Application No. 147,563, mailed Apr. 12, 2013 (12 pages).

* cited by examiner

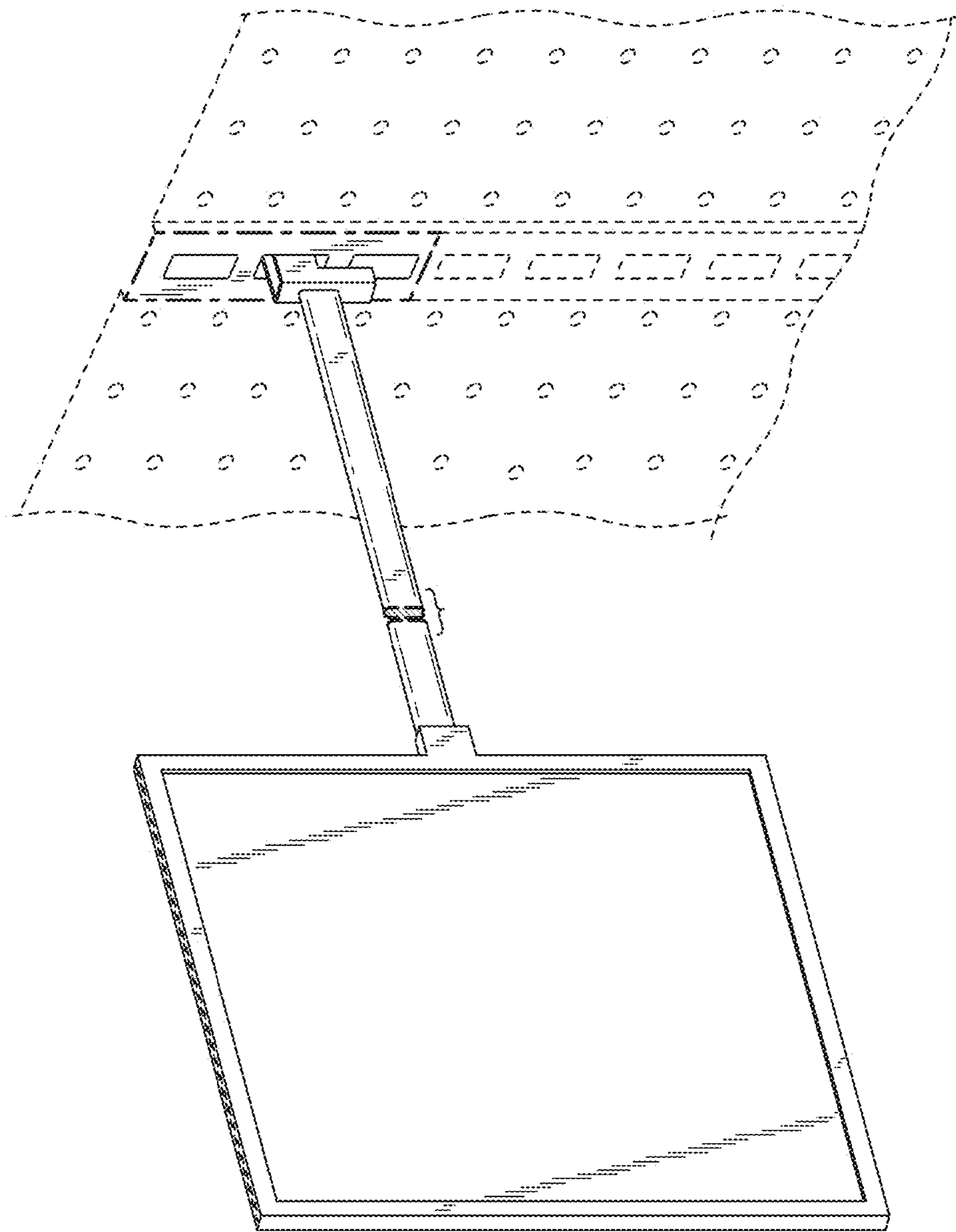


FIG. 1

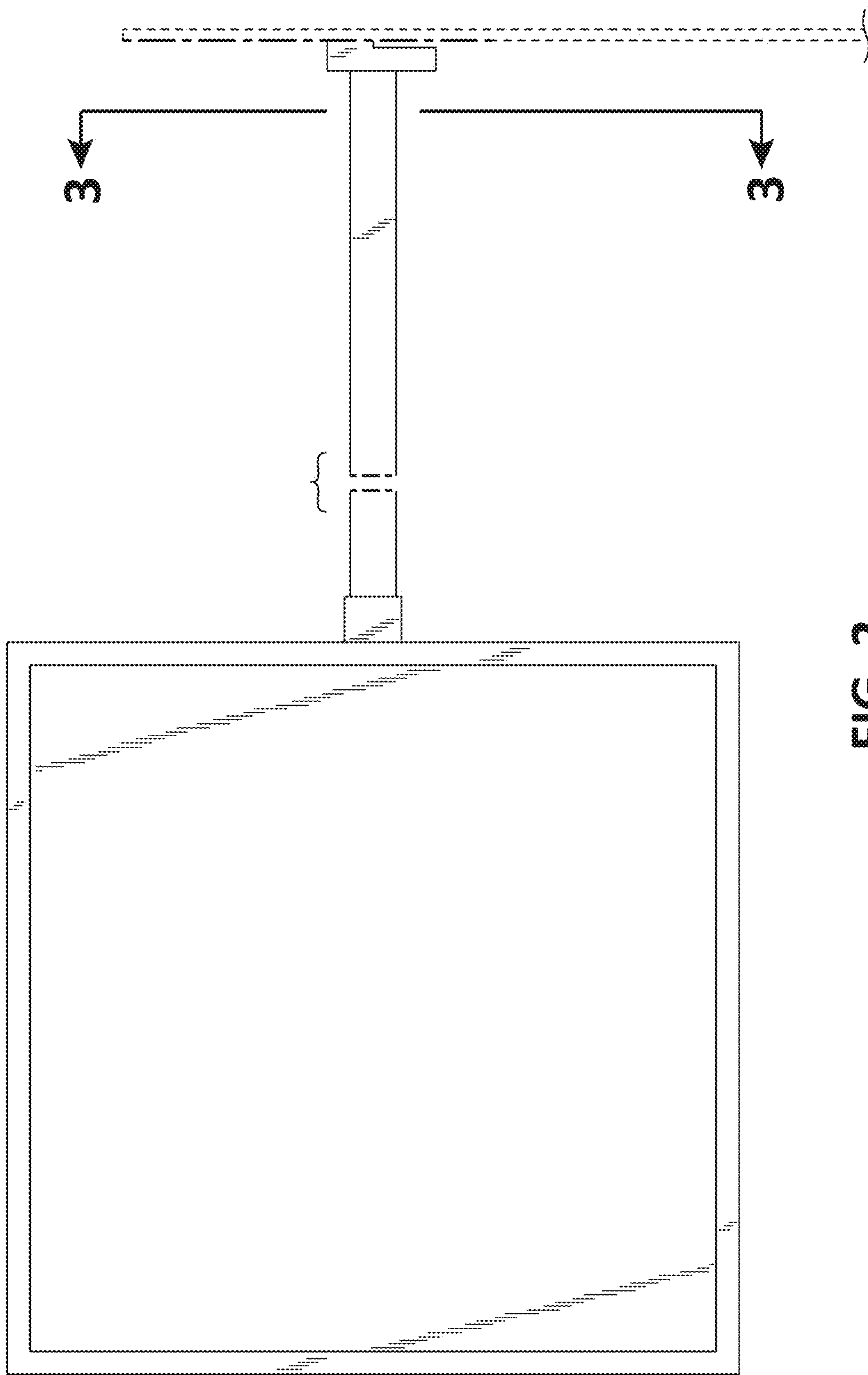


FIG. 2

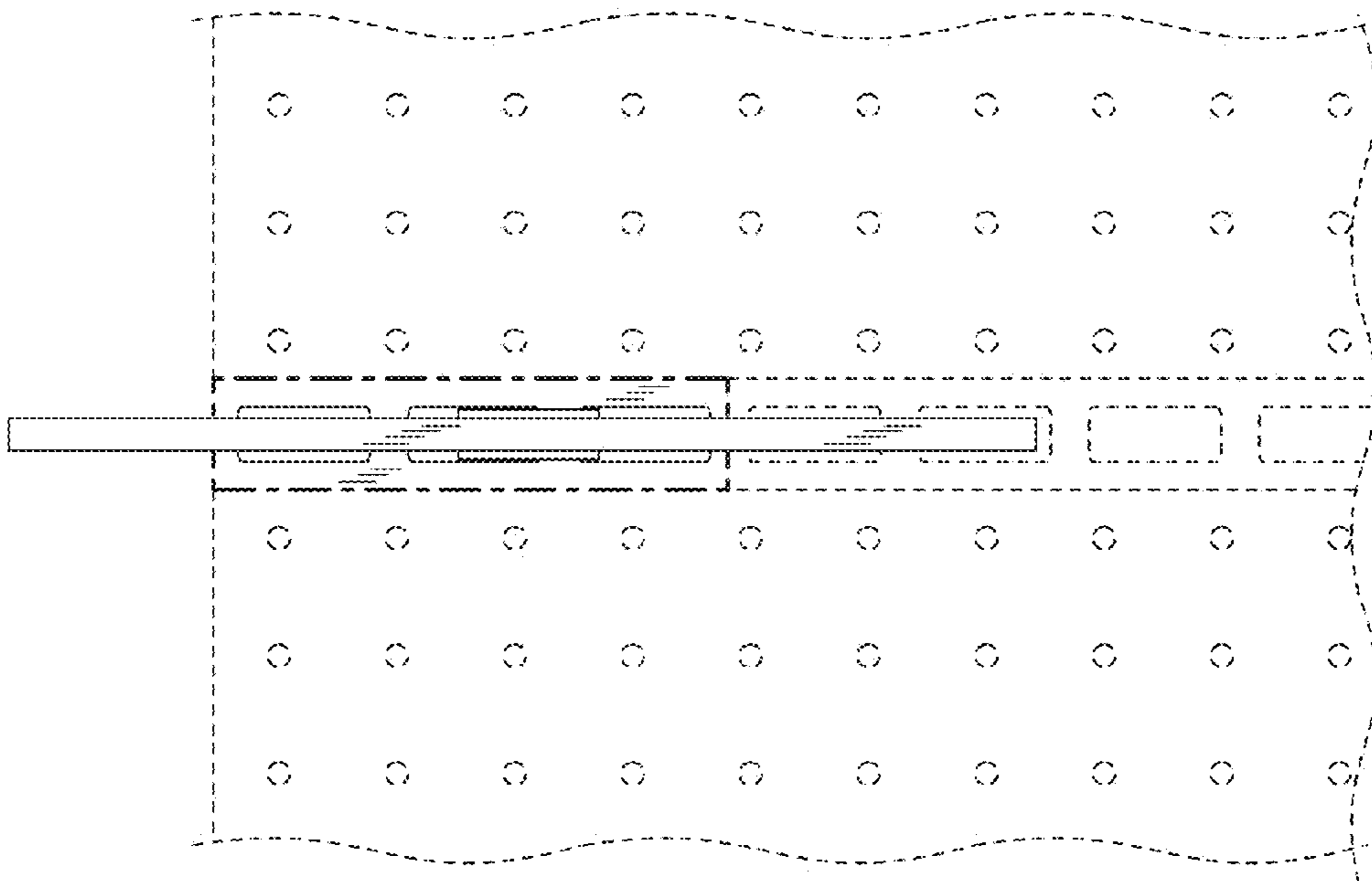


FIG. 4



FIG. 3

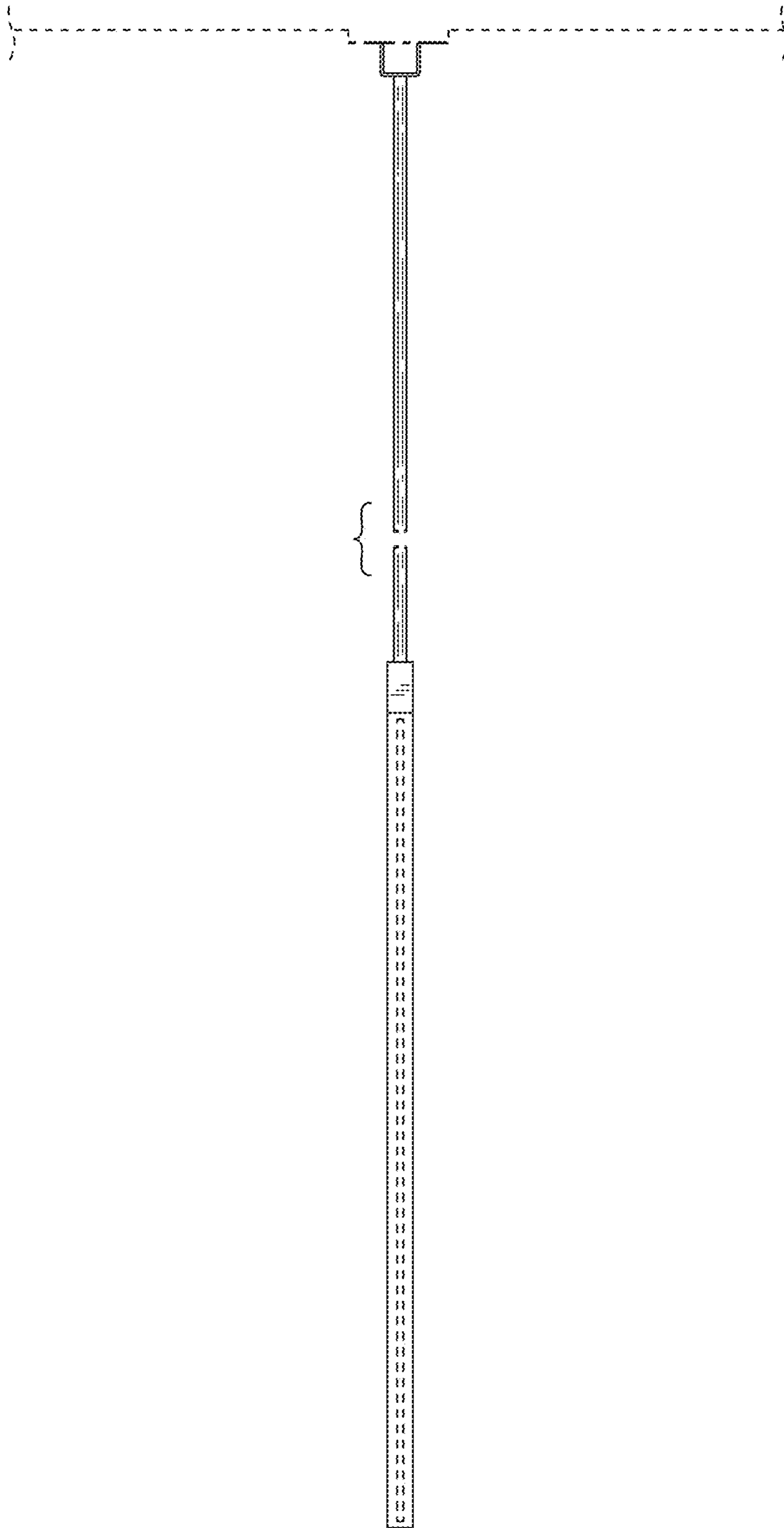


FIG. 5

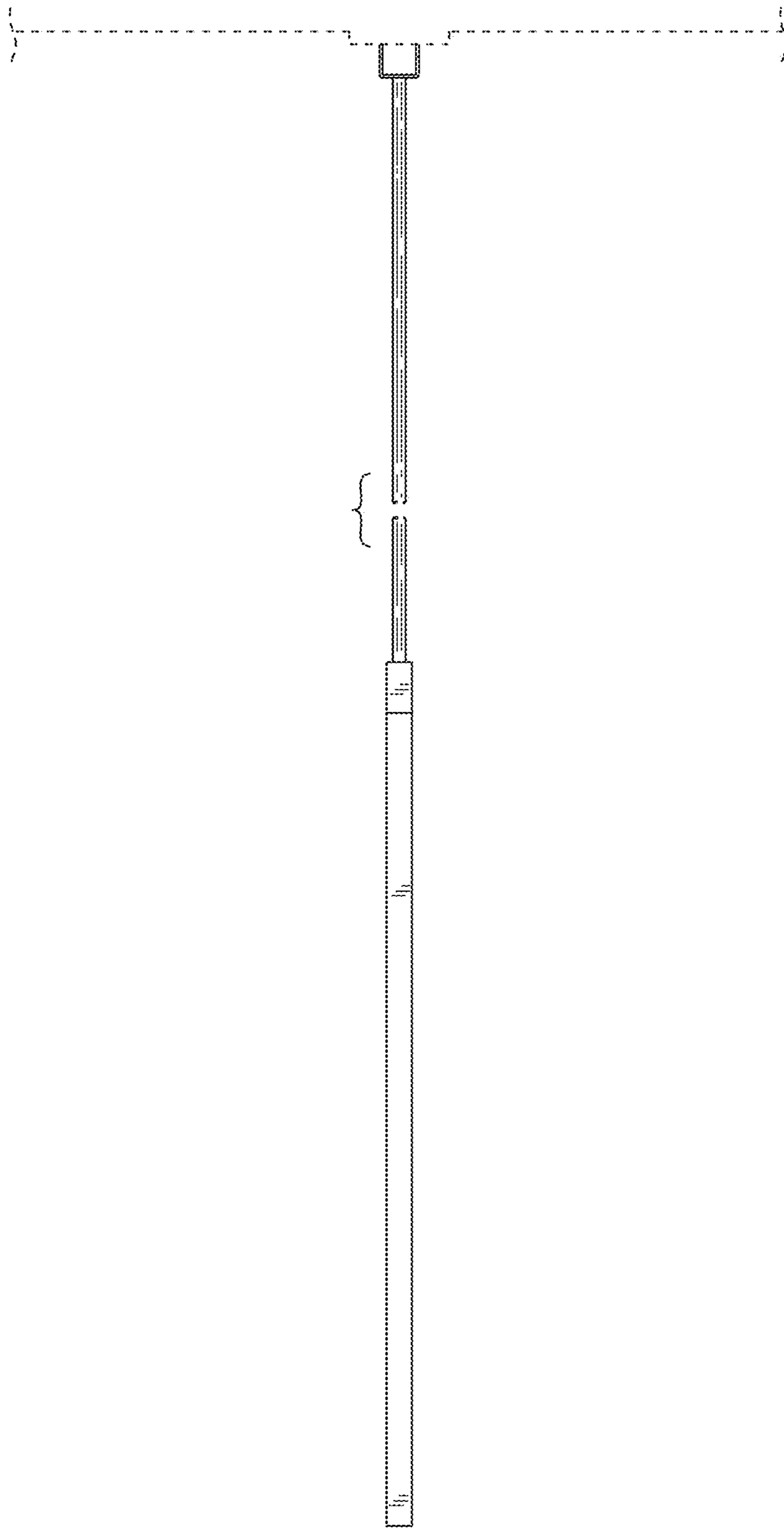


FIG. 6

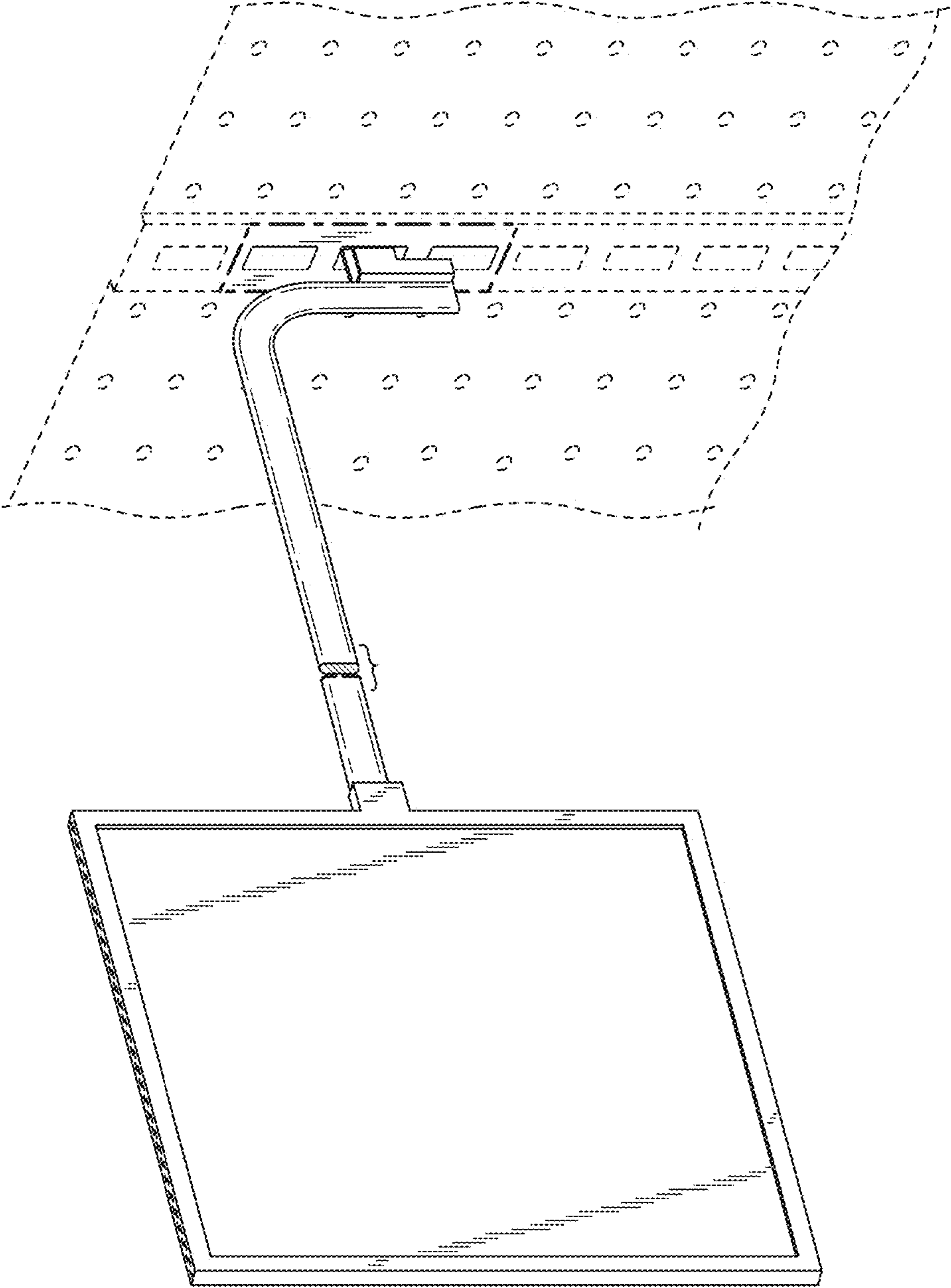


FIG. 7

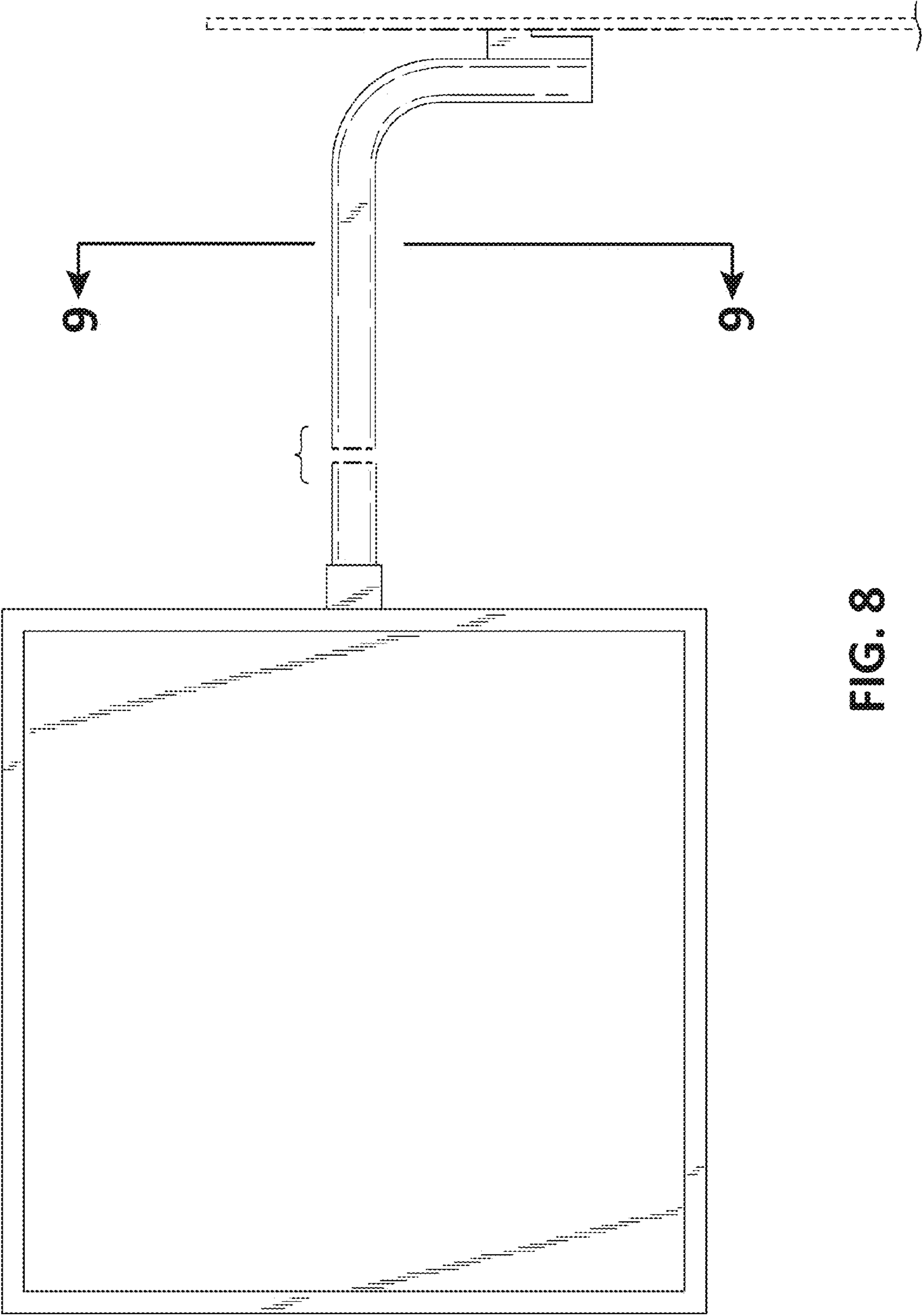


FIG. 8

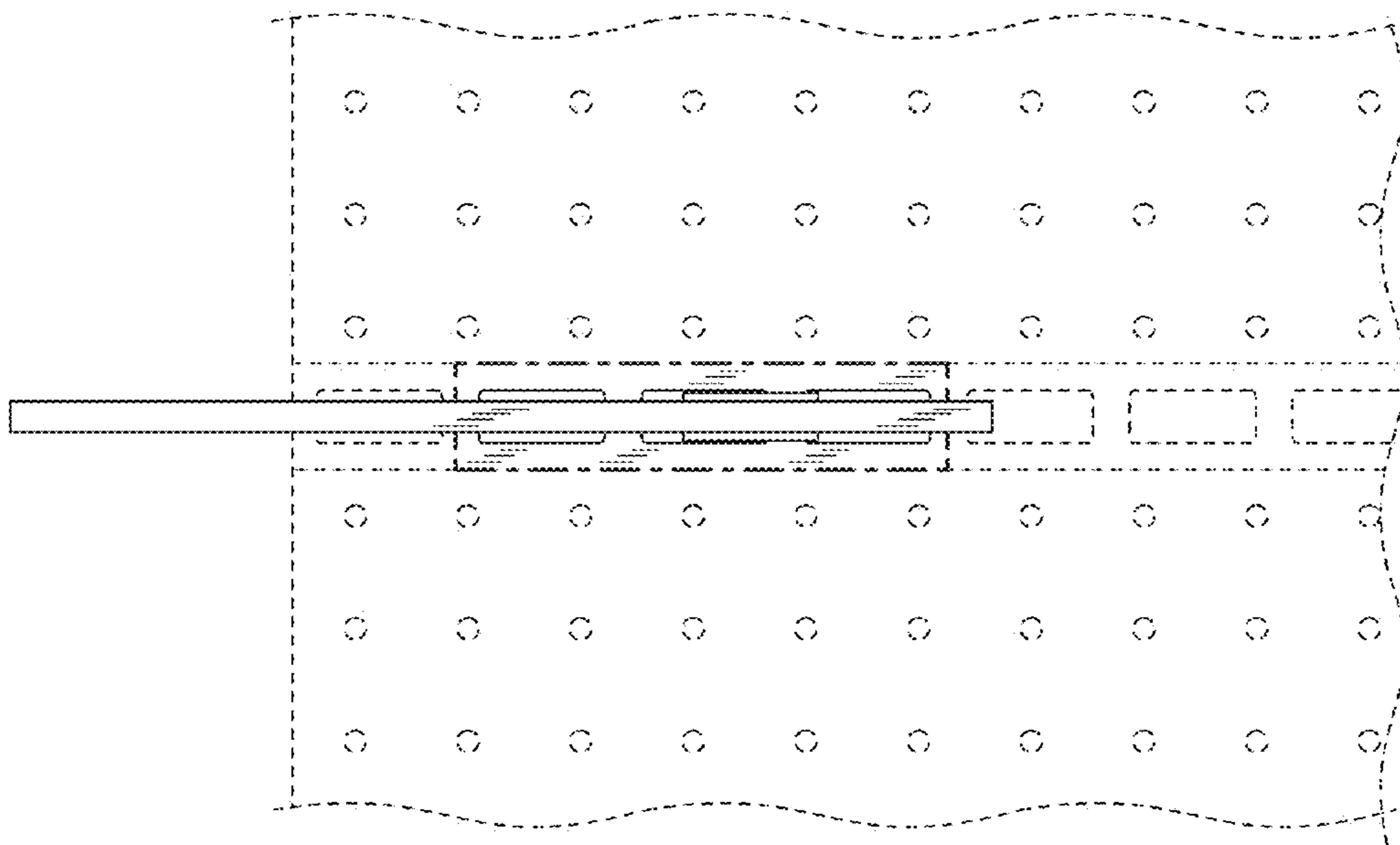


FIG. 10



FIG. 9

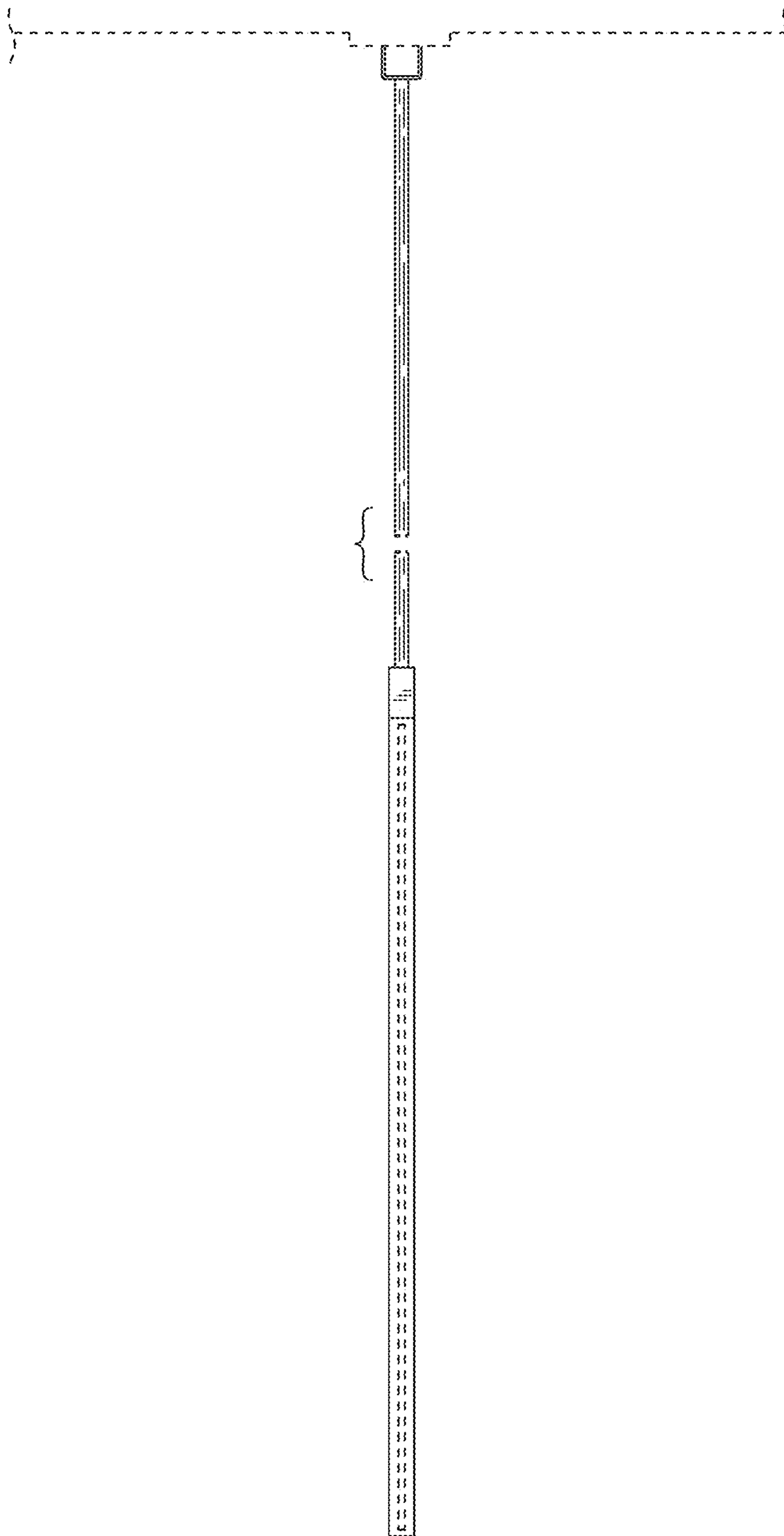


FIG. 11

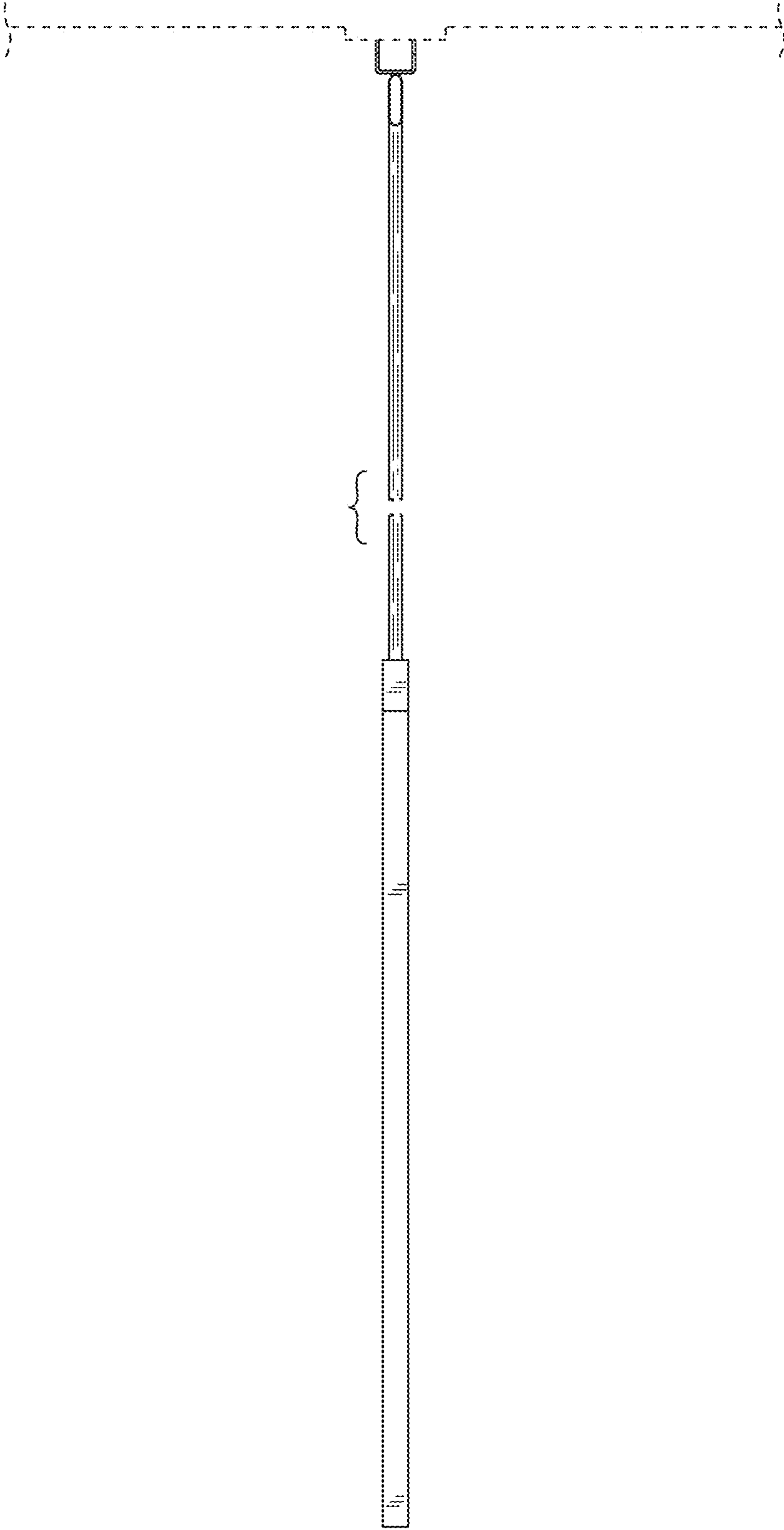


FIG. 12