



US00D693400S

(12) **United States Design Patent**  
**Boettcher et al.**

(10) **Patent No.:** **US D693,400 S**

(45) **Date of Patent:** **\*\* \*Nov. 12, 2013**

(54) **LASER PRINTER TONER CARTRIDGE**

(56) **References Cited**

(71) Applicant: **Lexmark International, Inc.**,  
Lexington, KY (US)

U.S. PATENT DOCUMENTS

D313,615	S	*	1/1991	Tokuda	.....	D18/36
D313,616	S	*	1/1991	Tokuda	.....	D18/36
D313,813	S	*	1/1991	Tokuda	.....	D18/36
D479,263	S	*	9/2003	Batori et al.	.....	D18/40

(Continued)

FOREIGN PATENT DOCUMENTS

EP	002102327-0001	9/2012
EP	002102327-0002	9/2012

OTHER PUBLICATIONS

U.S. Appl.No. 29/409,933, filed Dec. 30, 2011.  
U.S. Appl. No. 29/409,934, filed Dec. 30, 2011.

(Continued)

*Primary Examiner* — Garth Rademaker

(74) *Attorney, Agent, or Firm* — Justin M Tromp

(72) Inventors: **Brian Lester Boettcher**, Versailles, KY (US); **James Anthony Carter, II**, Lexington, KY (US); **Gregory Allan Cavill**, Winchester, KY (US); **Gary Neal Hackney**, Georgetown, KY (US); **Jonathan David Kelley**, Lexington, KY (US); **Katrina Rosit Lactuan**, Cebu (PH); **James Richard Leemhuis**, Lexington, KY (US); **Benjamin Keith Newman**, Lexington, KY (US); **Matthew Lee Rogers**, Lexington, KY (US); **Bryan Christopher Scharf**, Richmond, KY (US); **Keith Seaman**, Lexington, KY (US); **Leighton De Leon Venezuela**, Lapu-Lapu (PH); **Christopher Gene Vowels**, Versailles, KY (US); **Bryan Joseph Wiemers**, Paris, KY (US)

(73) Assignee: **Lexmark International, Inc.**,  
Lexington, KY (US)

(\*) Notice: This patent is subject to a terminal disclaimer.

(\*\*) Term: **14 Years**

(21) Appl. No.: **29/434,657**

(22) Filed: **Oct. 16, 2012**

(51) **LOC (9) Cl.** ..... **16-03**

(52) **U.S. Cl.**  
USPC ..... **D18/43**

(58) **Field of Classification Search**  
USPC ..... D14/471; D18/12, 36, 40, 43, 44, 56;  
222/DIG. 1; 347/197, 222; 399/24–28,  
399/107–112, 119, 121, 122, 222–224

See application file for complete search history.

(57) **CLAIM**

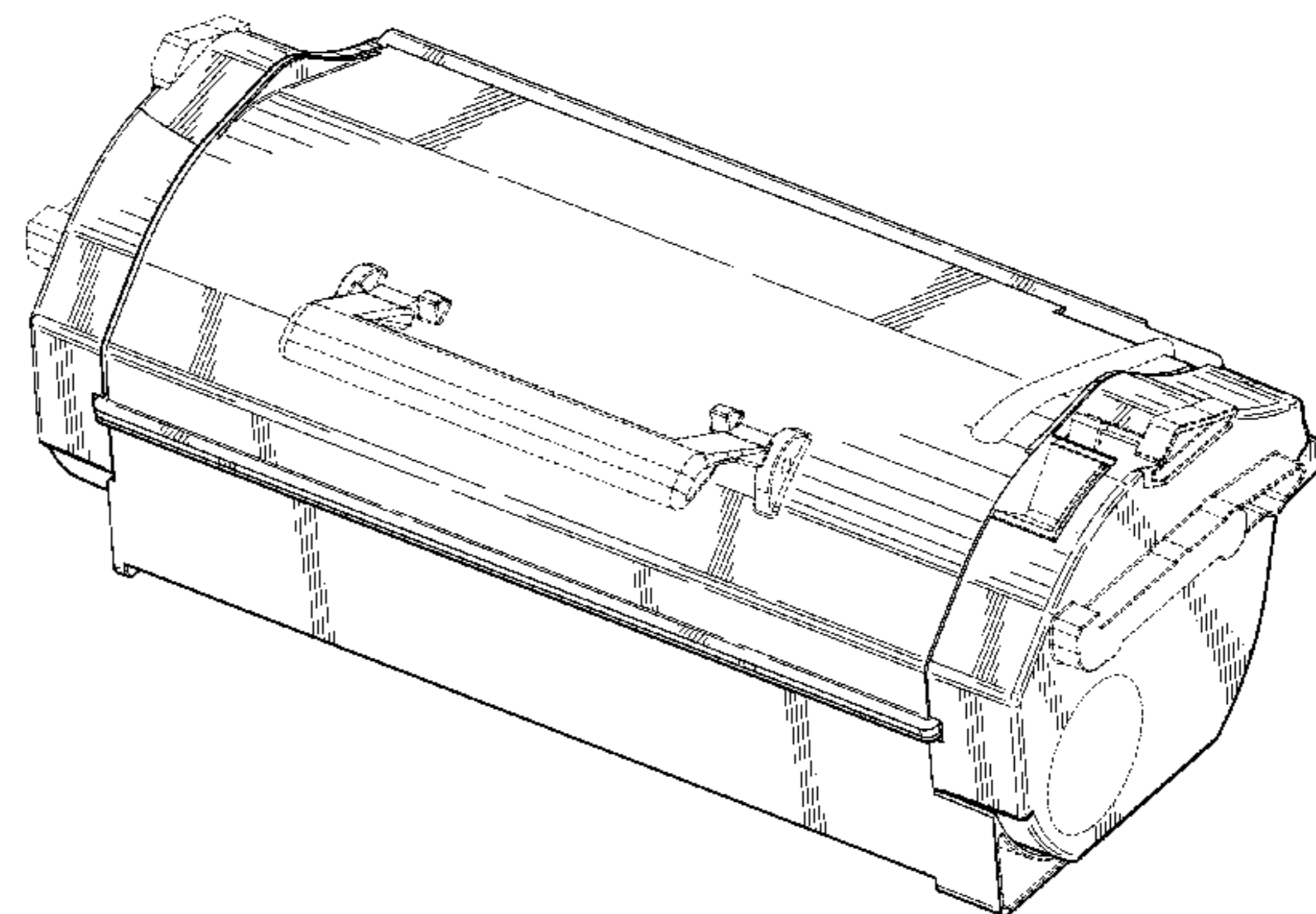
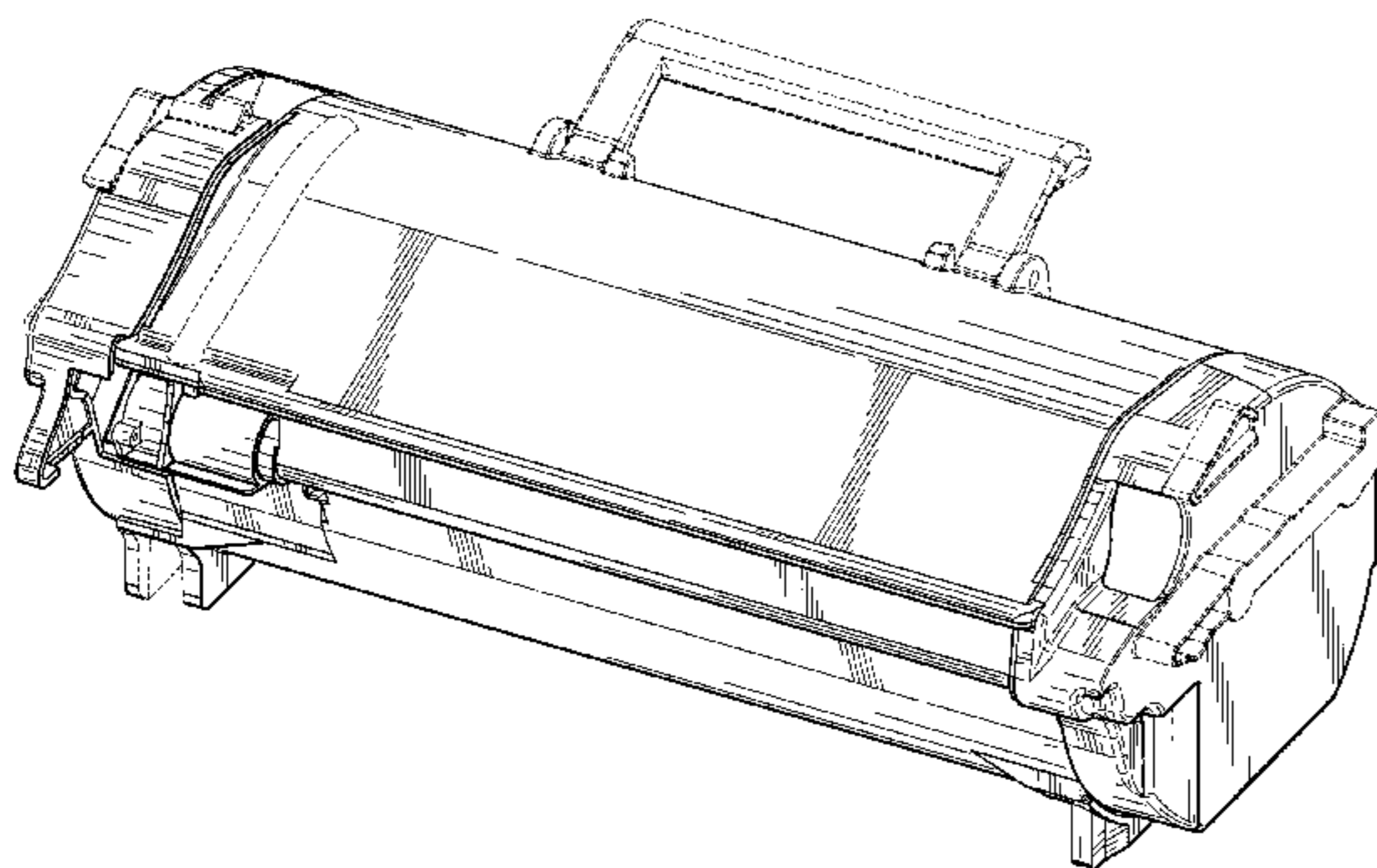
The ornamental design for a laser printer toner cartridge, as shown and described.

**DESCRIPTION**

FIG. 1 is a left side perspective view of a laser printer toner cartridge of the present invention;  
FIG. 2 is a right side perspective view thereof;  
FIG. 3 is a right side elevation view thereof;  
FIG. 4 is a left side elevation view thereof;  
FIG. 5 is a front elevation view thereof;  
FIG. 6 is a rear elevation view thereof;  
FIG. 7 is a top plan view thereof; and,  
FIG. 8 is a bottom plan view thereof.

The features shown in broken lines depict environmental subject matter only and form no part of the claimed design.

**1 Claim, 7 Drawing Sheets**



# US D693,400 S

Page 2

---

(56)

## References Cited

### U.S. PATENT DOCUMENTS

D489,753 S \* 5/2004 Batori et al. .... D18/40  
6,963,706 B2 \* 11/2005 Morioka et al. .... 399/111  
7,062,199 B1 \* 6/2006 Higeta et al. .... 399/109  
D546,382 S \* 7/2007 Noh et al. .... D18/43  
7,912,403 B2 \* 3/2011 Kim et al. .... 399/110

D647,956 S \* 11/2011 Kweon et al. .... D18/43  
D662,129 S \* 6/2012 Zeng et al. .... D18/43

### OTHER PUBLICATIONS

U.S. Appl. No. 29/434,656, filed Oct. 16, 2012.

\* cited by examiner

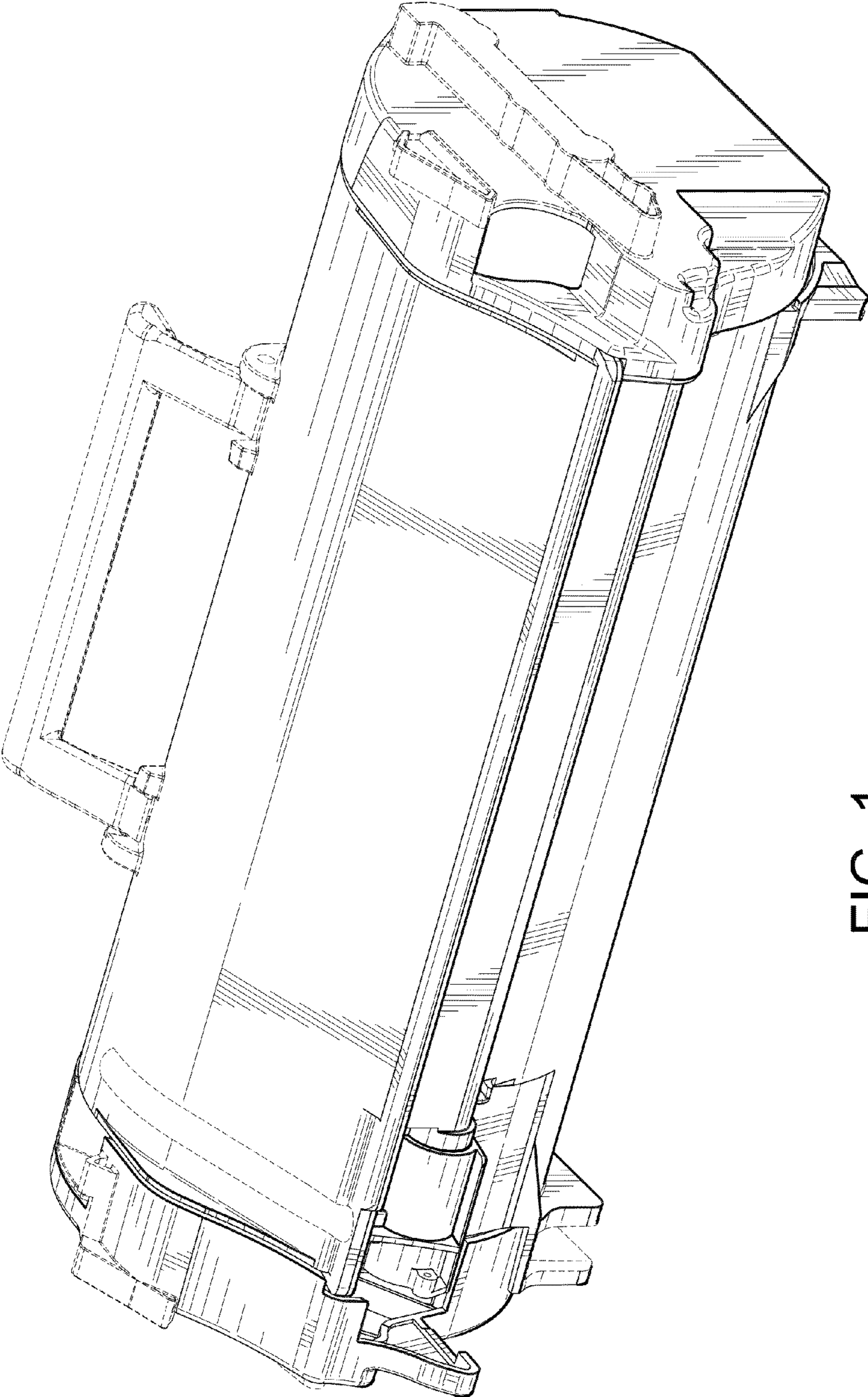


FIG. 1



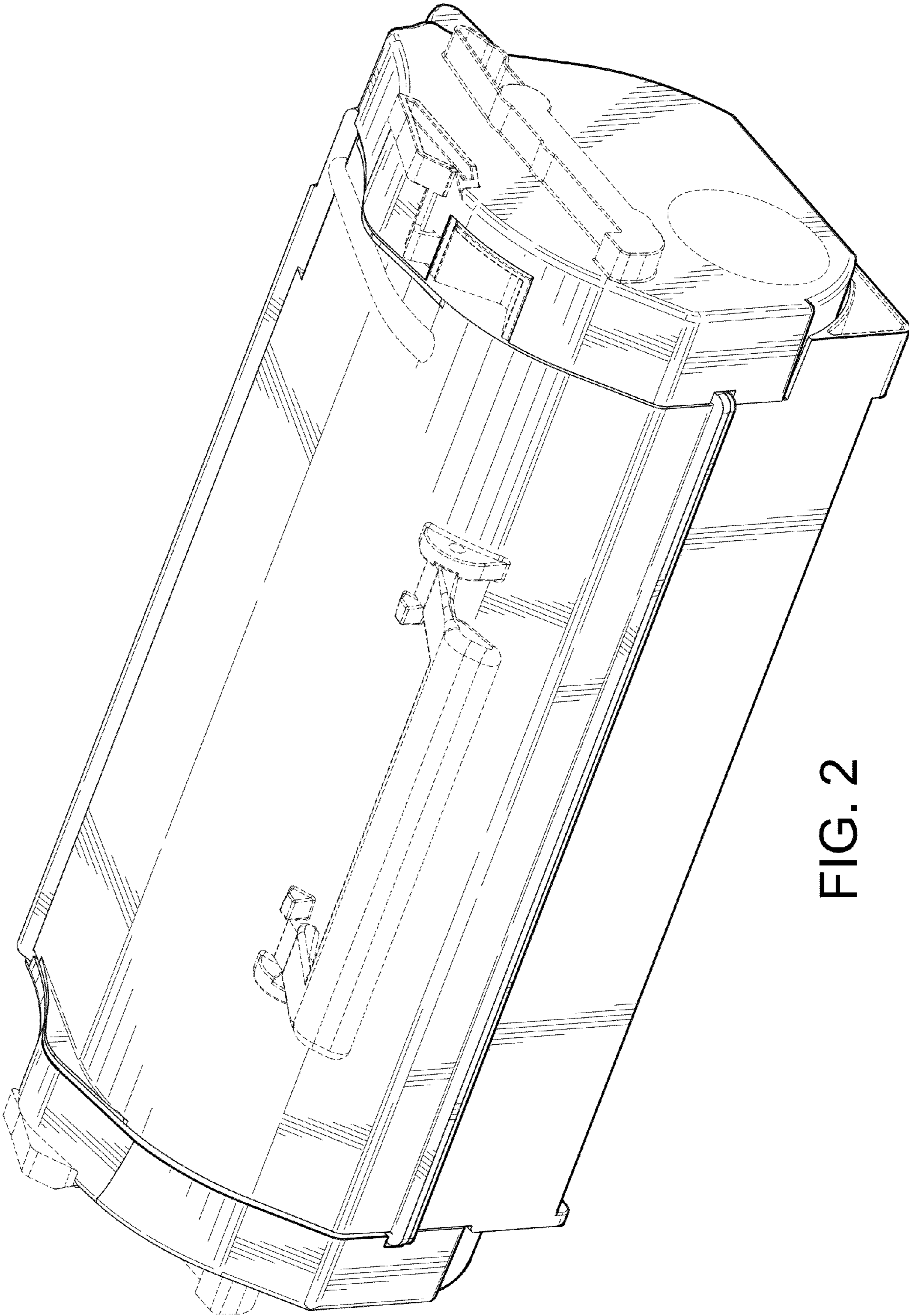


FIG. 2

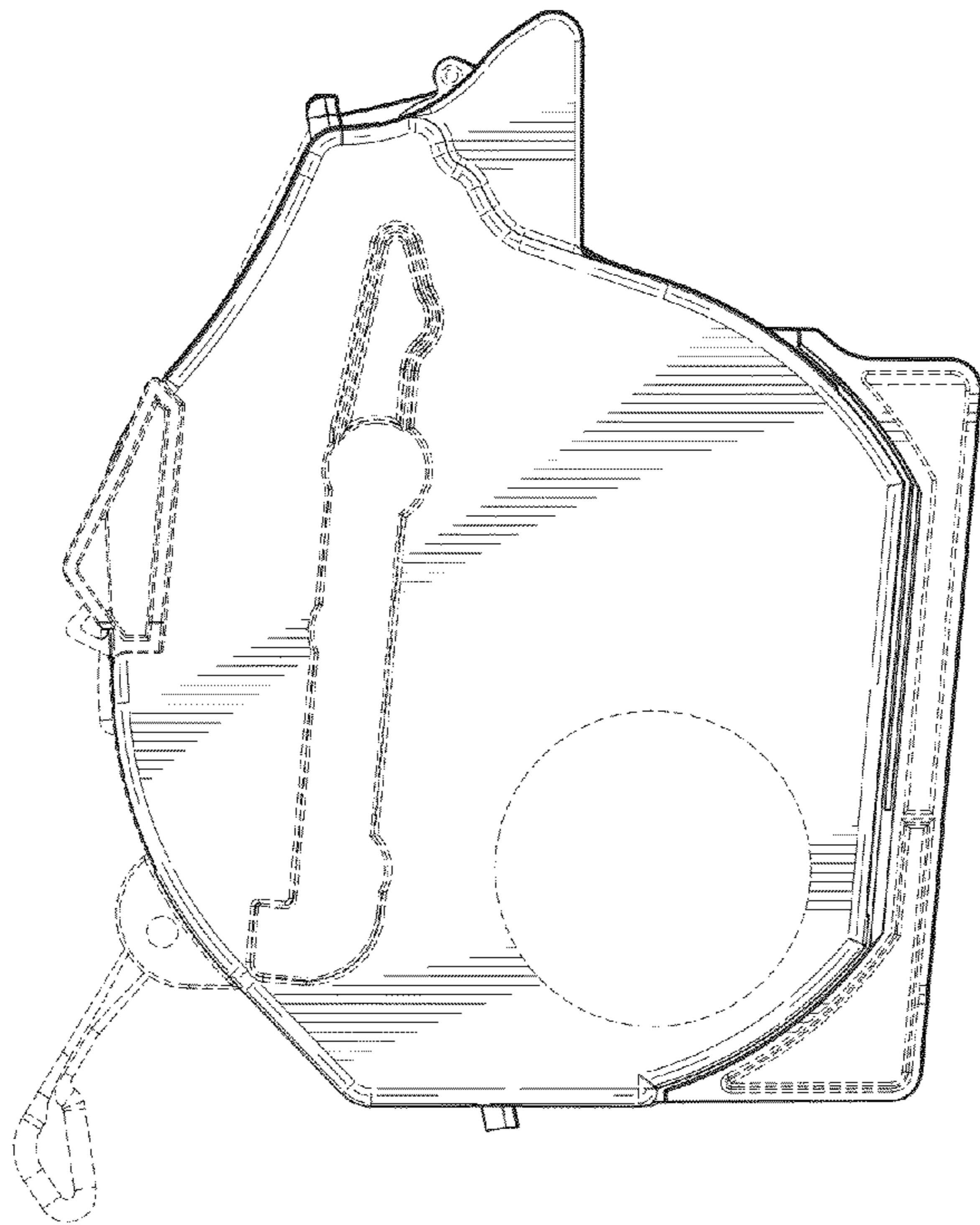


FIG. 3

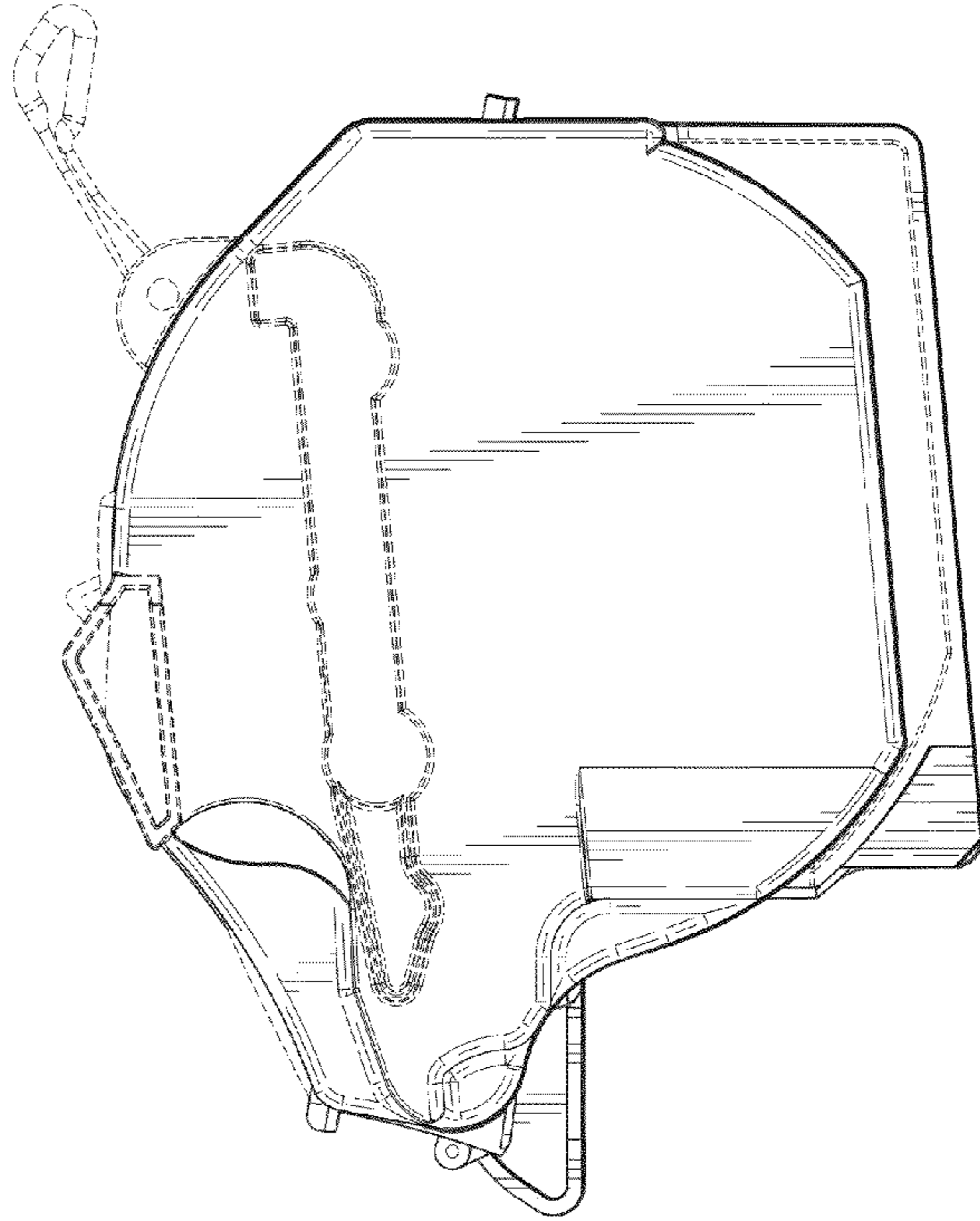


FIG. 4

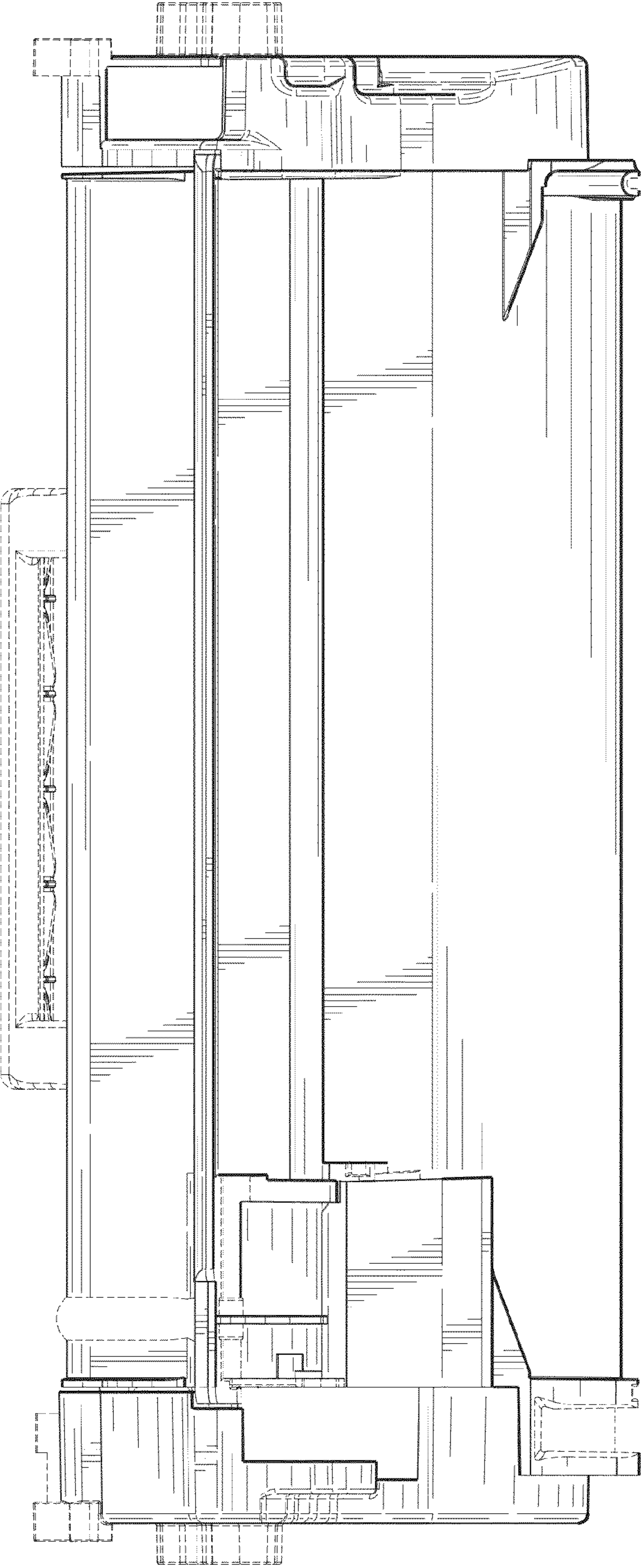


FIG. 5



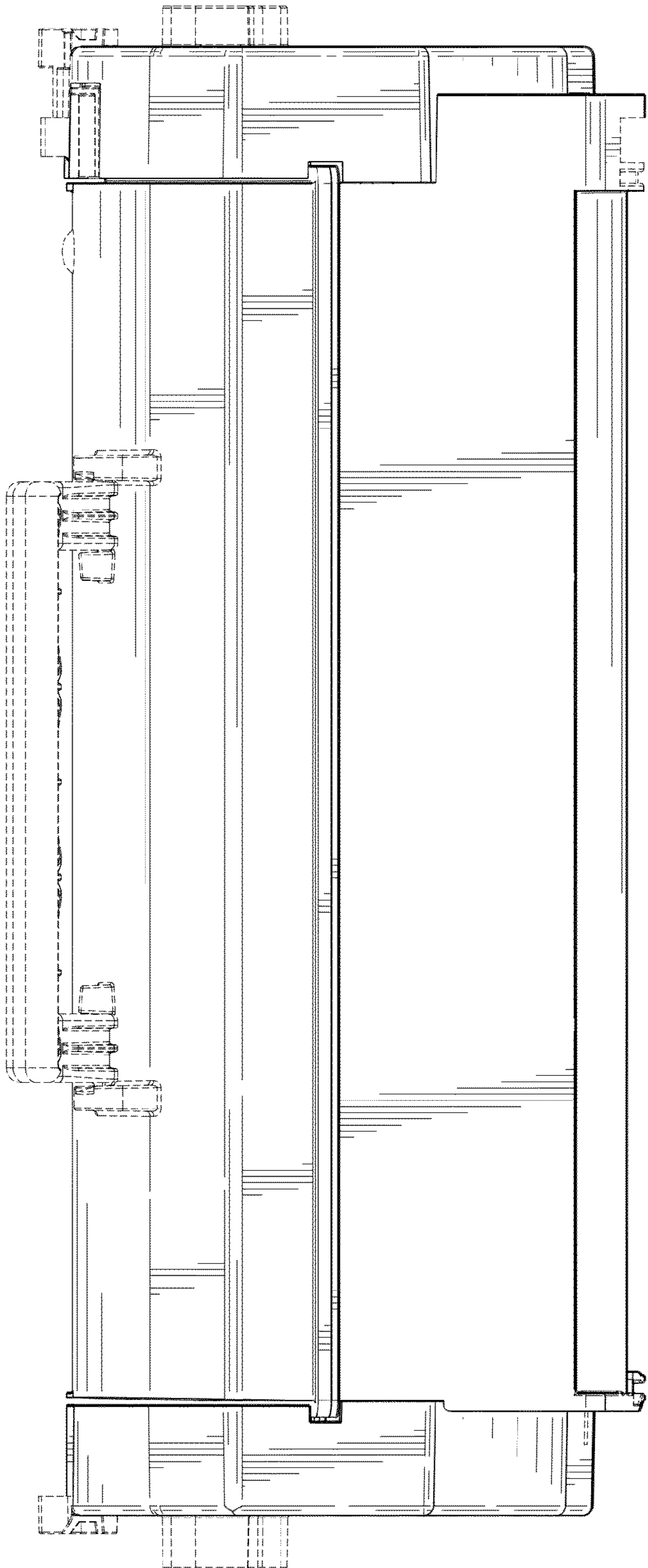


FIG. 6

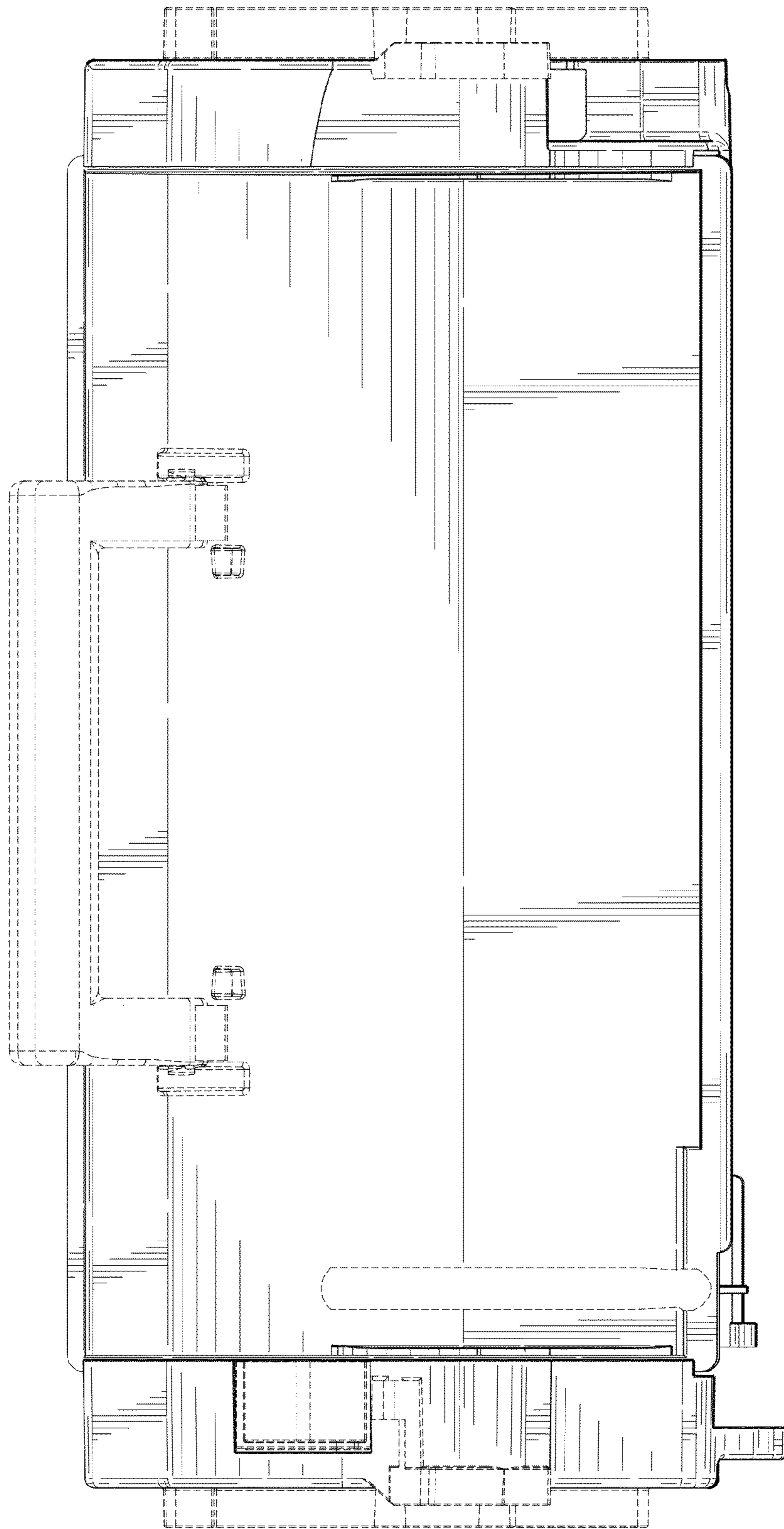


FIG. 7



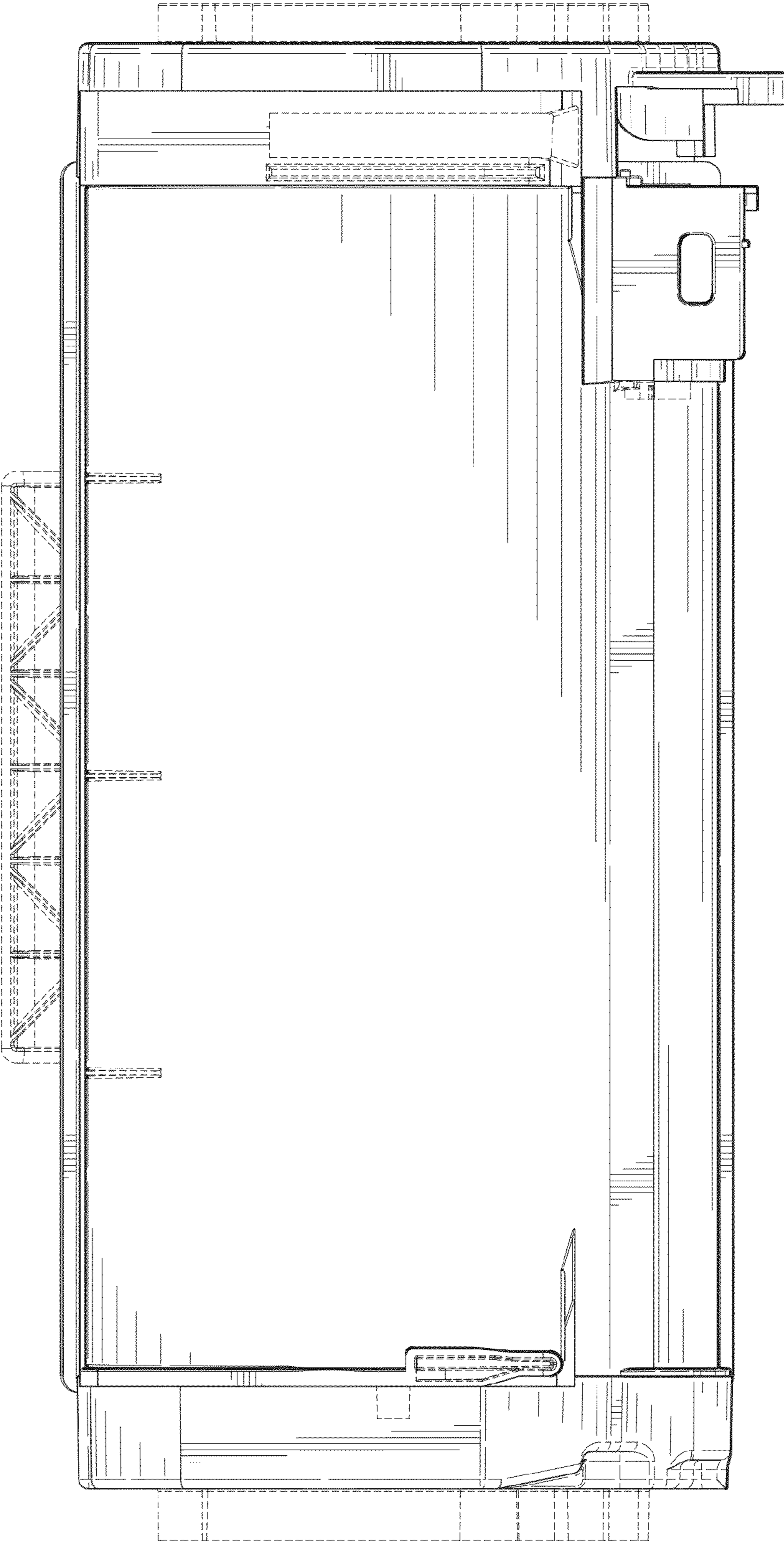


FIG. 8