



US00D693396S

(12) **United States Design Patent**
Sato

(10) **Patent No.:** **US D693,396 S**
(45) **Date of Patent:** **** Nov. 12, 2013**

(54) **CAMERA BODY**

(75) Inventor: **Jun Sato**, Saitama (JP)

(73) Assignee: **FUJIFILM Corporation**, Tokyo (JP)

(**) Term: **14 Years**

(21) Appl. No.: **29/426,353**

(22) Filed: **Jul. 3, 2012**

(30) **Foreign Application Priority Data**

Jan. 6, 2012 (JP) 2012-000170

(51) **LOC (9) Cl.** **16-05**

(52) **U.S. Cl.**
USPC **D16/219**

(58) **Field of Classification Search**
USPC D16/200, 202, 204, 212, 218, 219;
348/373-376; 358/909.1; 396/535, 540
See application file for complete search history.

(56) **References Cited**

U.S. PATENT DOCUMENTS

D369,372 S * 4/1996 Ishikawa et al. D16/218
D432,554 S * 10/2000 Matsumura D16/218
D448,789 S * 10/2001 Matsumura D16/212

6,714,724 B1 * 3/2004 Cook 348/373
D500,333 S * 12/2004 Hong et al. D16/202
D542,826 S * 5/2007 Ina et al. D16/219
7,595,832 B2 * 9/2009 Lee 358/909.1

* cited by examiner

Primary Examiner — Adir Aronovich

(74) *Attorney, Agent, or Firm* — Sughrue Mion, PLLC

(57) **CLAIM**

The ornamental design for a camera body, as shown and described.

DESCRIPTION

FIG. 1 is a top, front and left side perspective view of a camera body showing my new design;
FIG. 2 is a top, rear and right side perspective view thereof;
FIG. 3 is a rear elevational view thereof;
FIG. 4 is a top plan view thereof;
FIG. 5 is a bottom plan view thereof;
FIG. 6 is a right side elevational view thereof;
FIG. 7 is a left side elevational view thereof; and,
FIG. 8 is a top, front and left side perspective view thereof in a manner of use.
The portions of the camera body in broken lines are shown for illustrative purposes only and form no part of the claimed design.

1 Claim, 7 Drawing Sheets

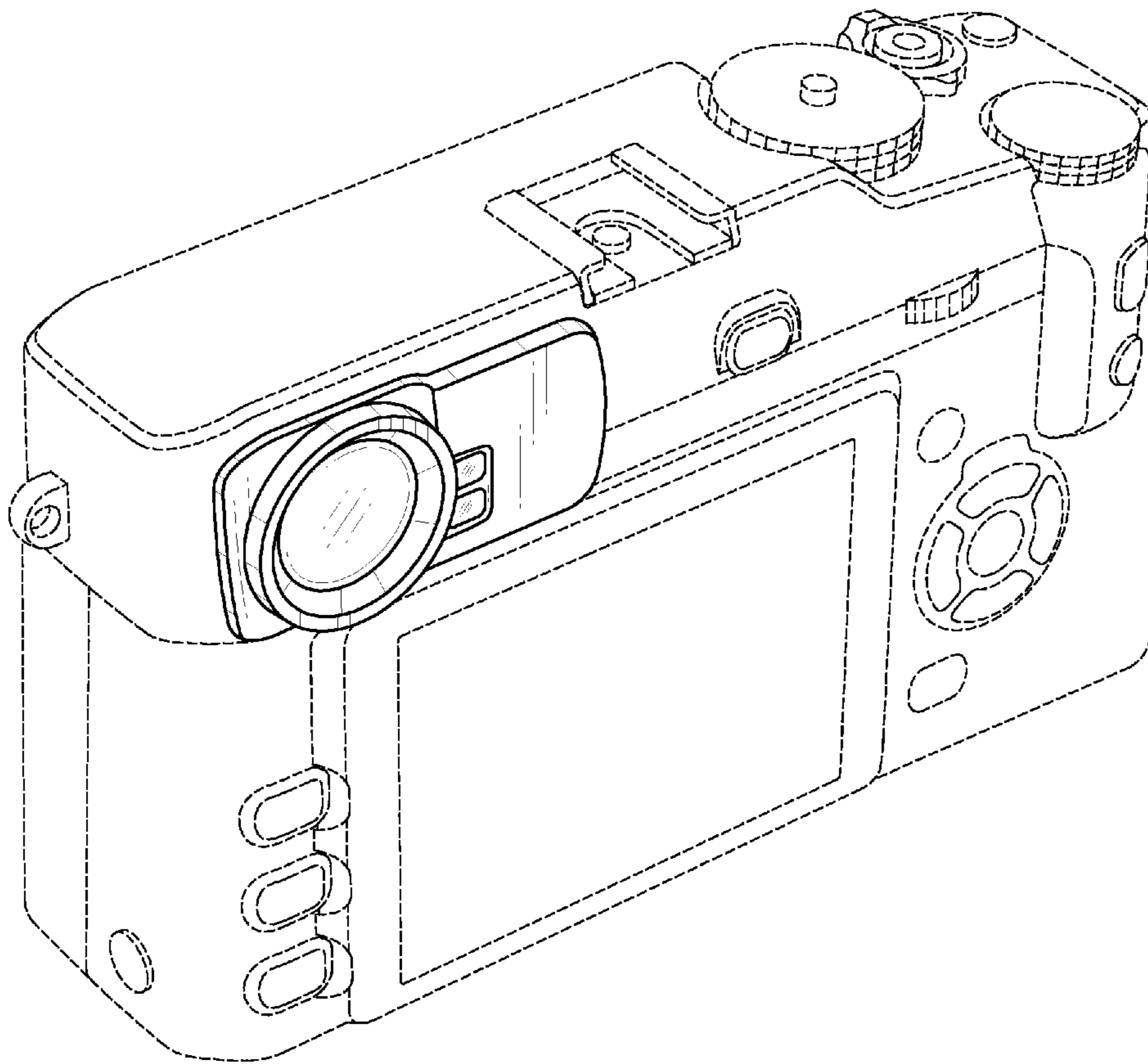


FIG.1

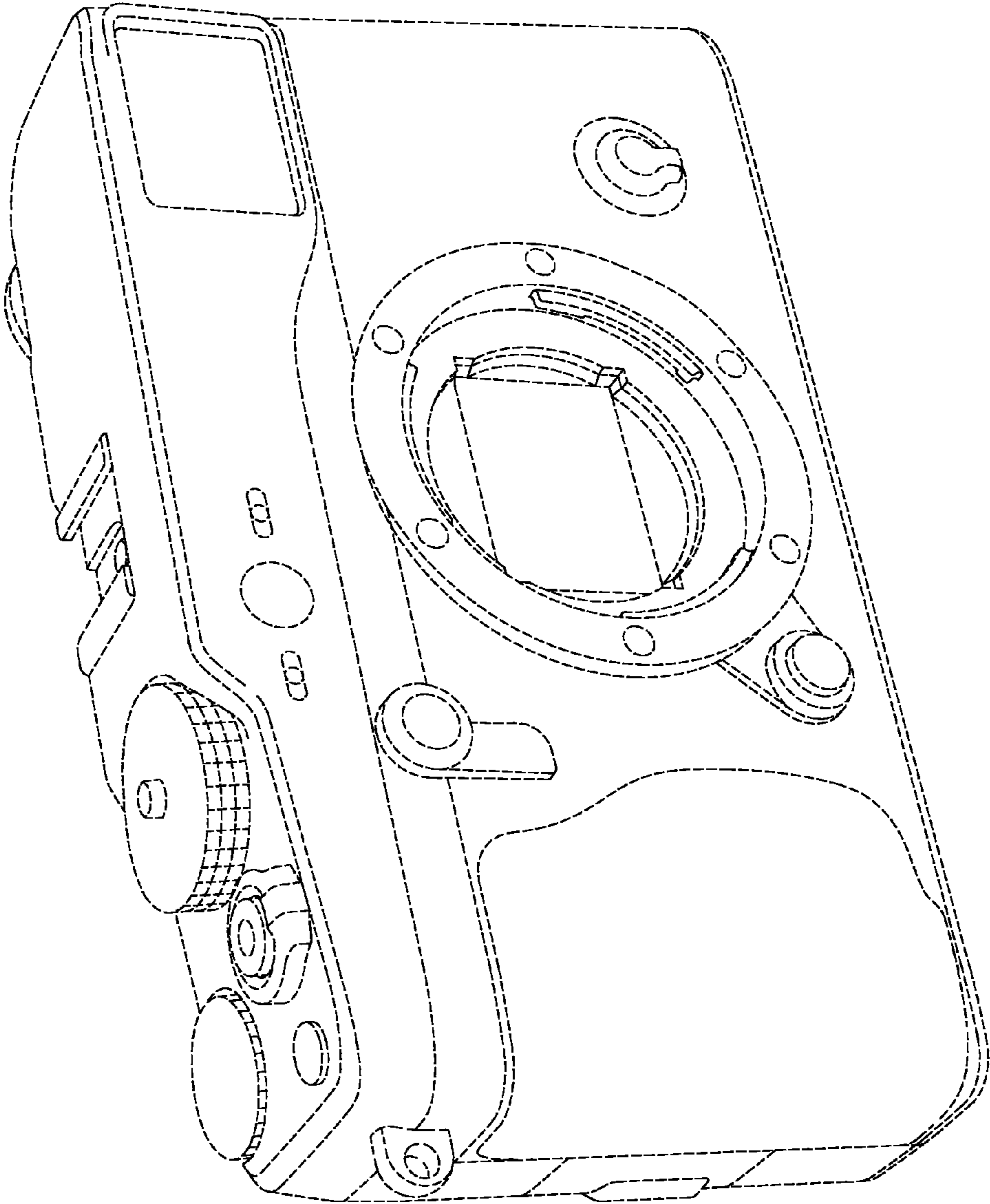


FIG.2

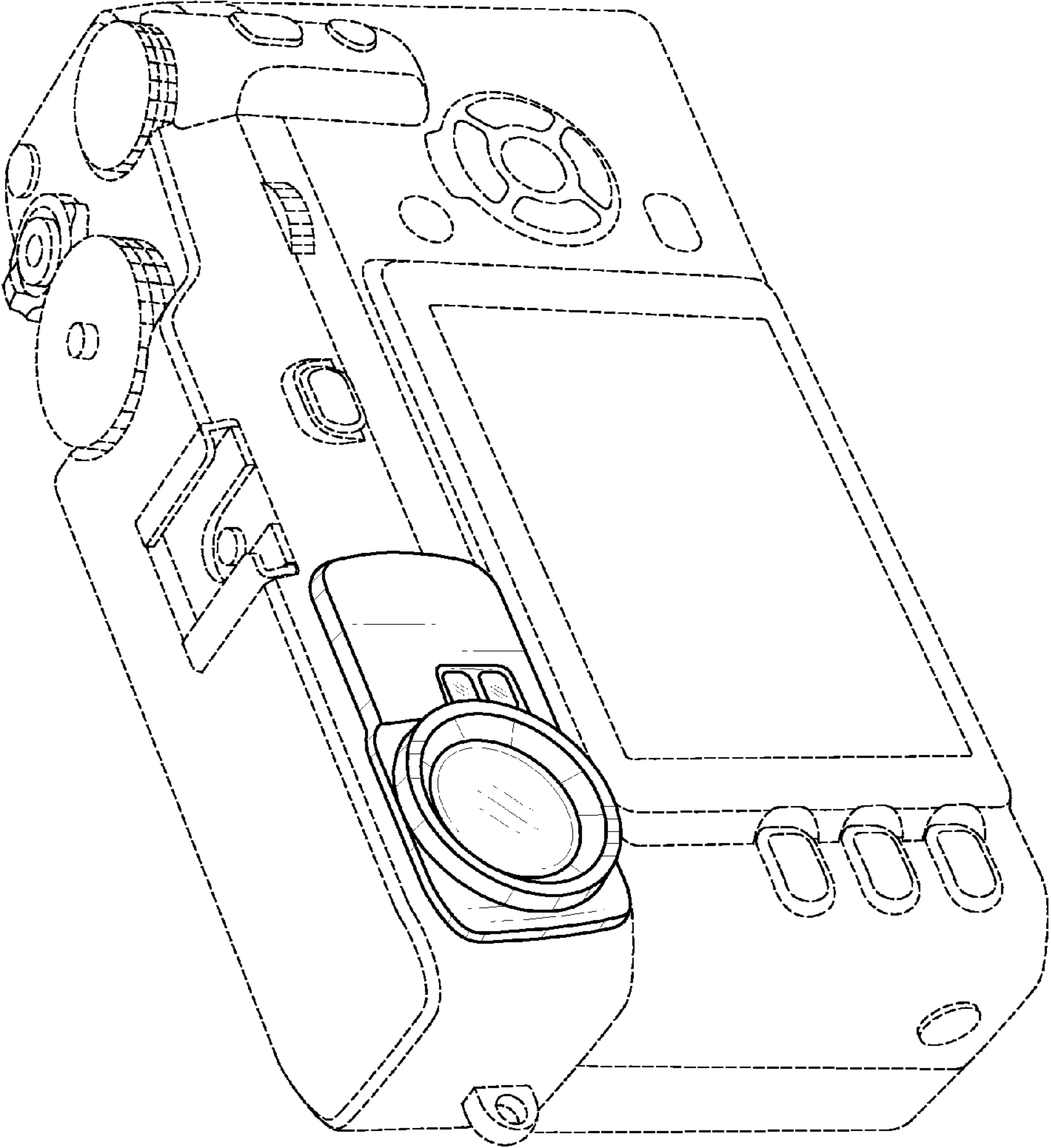


FIG.3

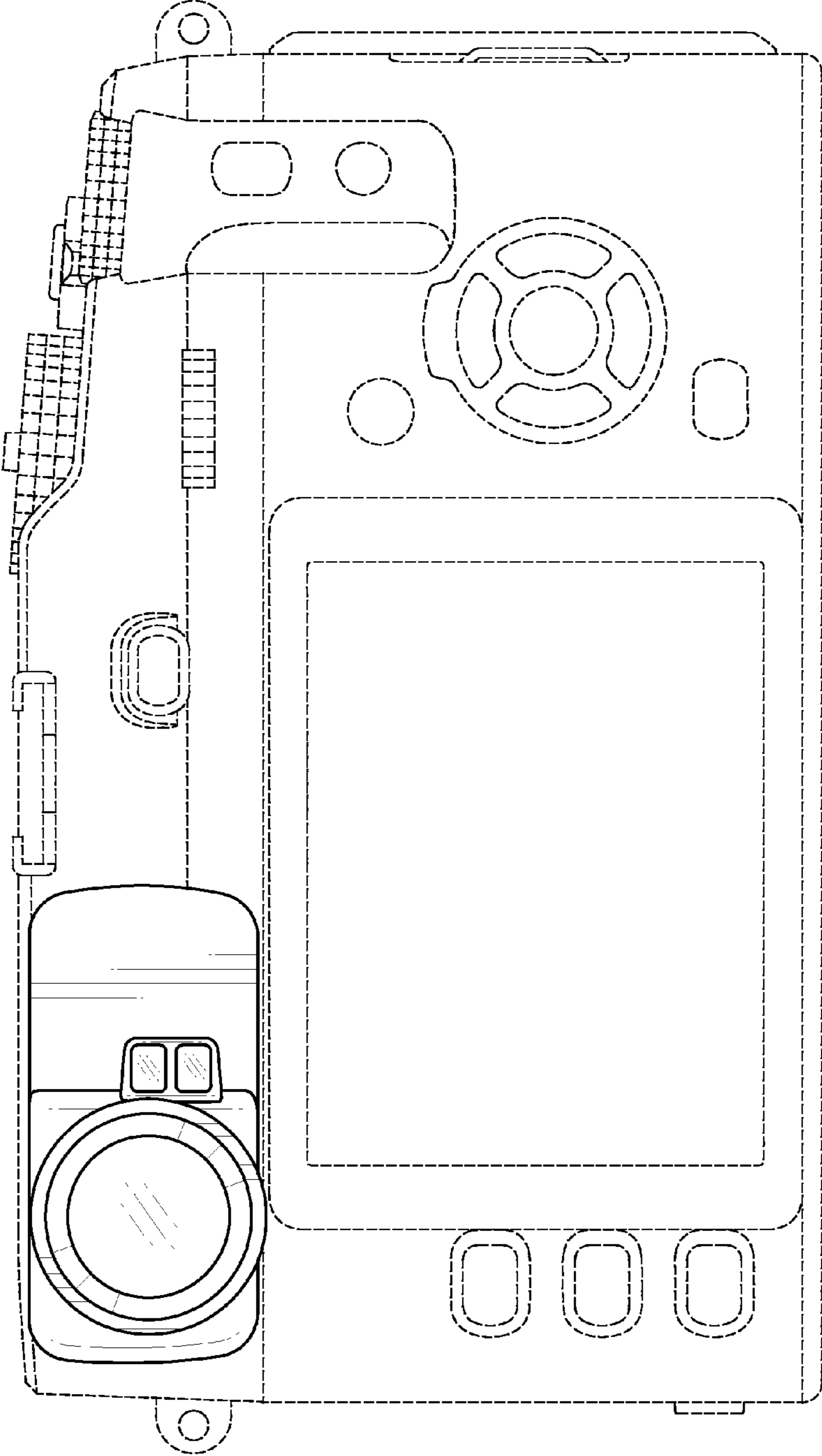


FIG.4

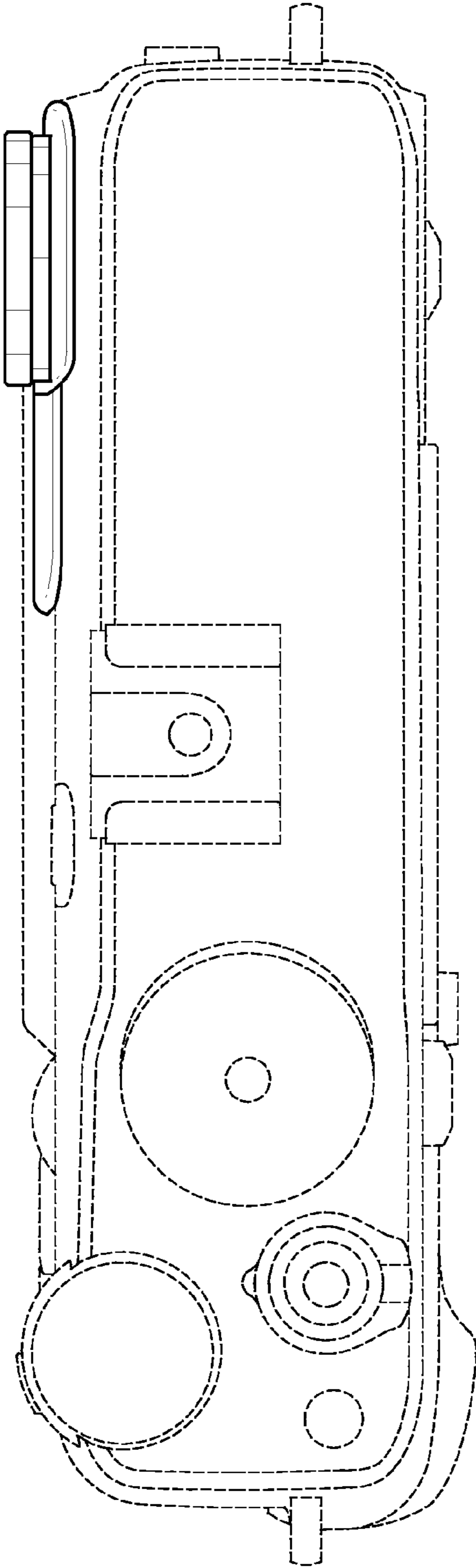


FIG. 5

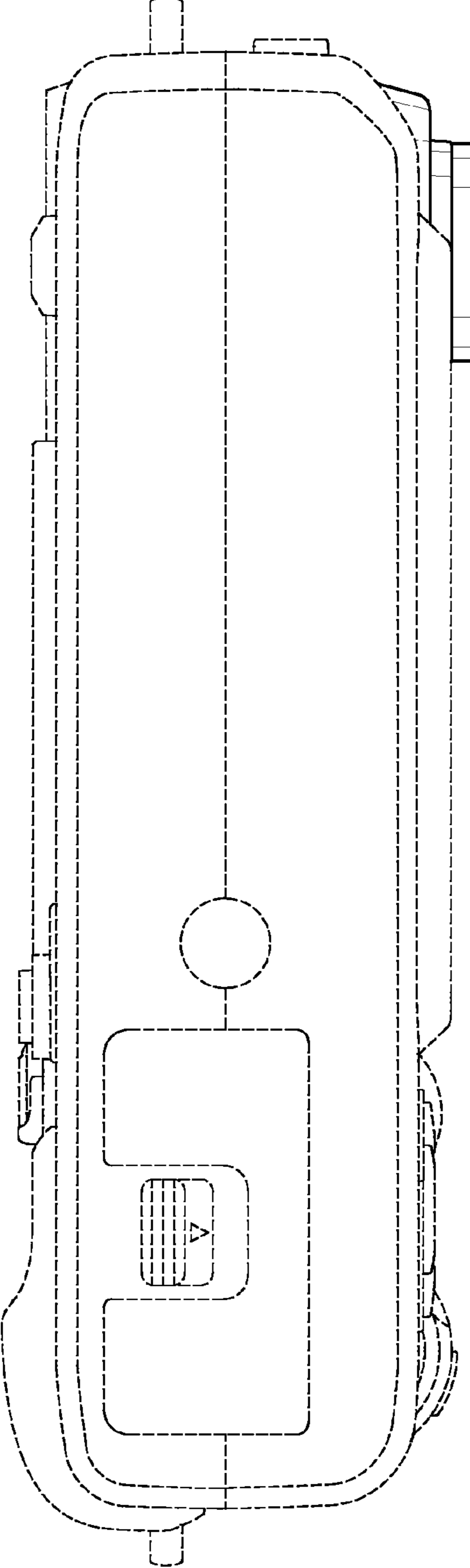


FIG.7

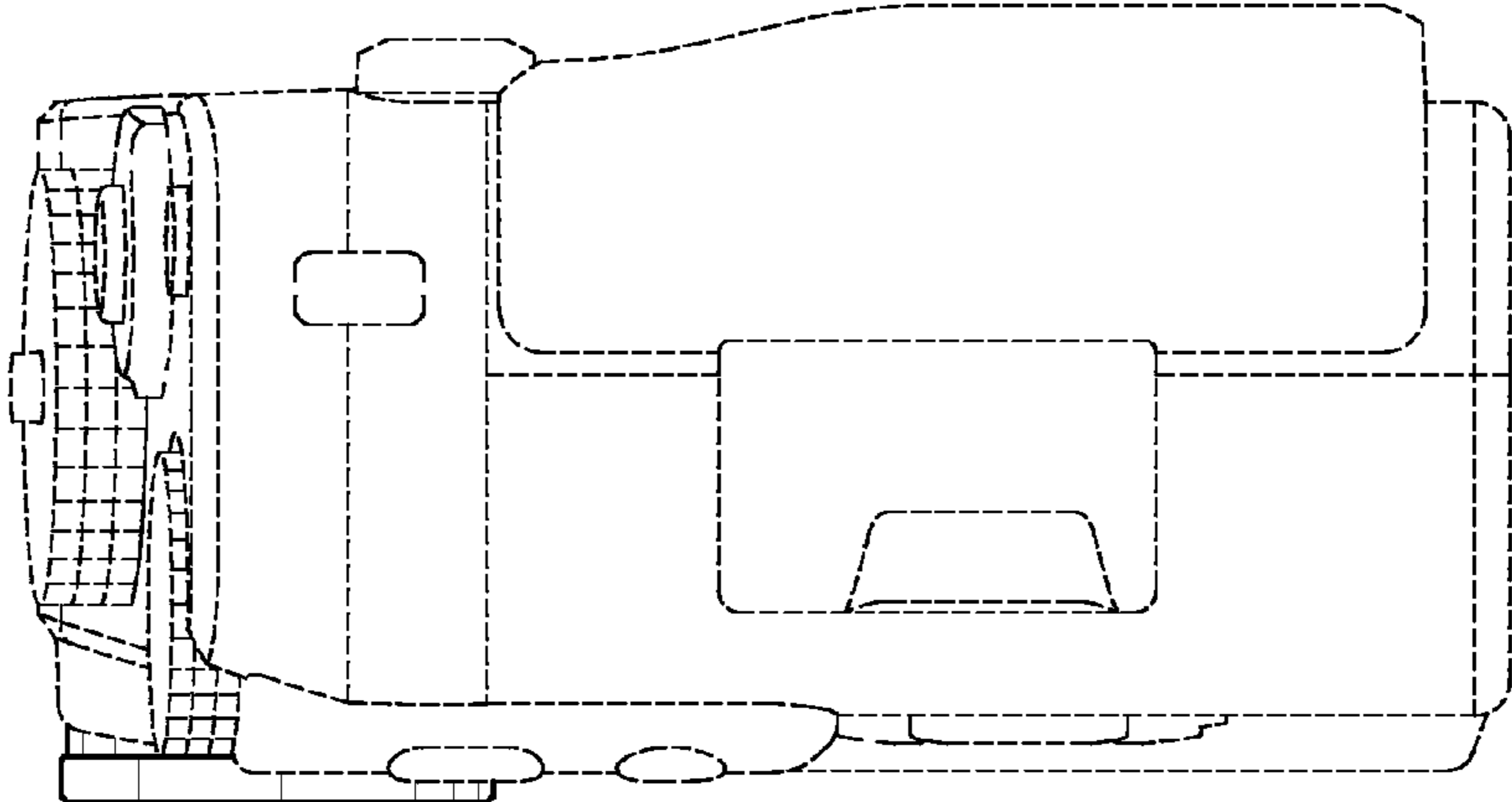


FIG.6

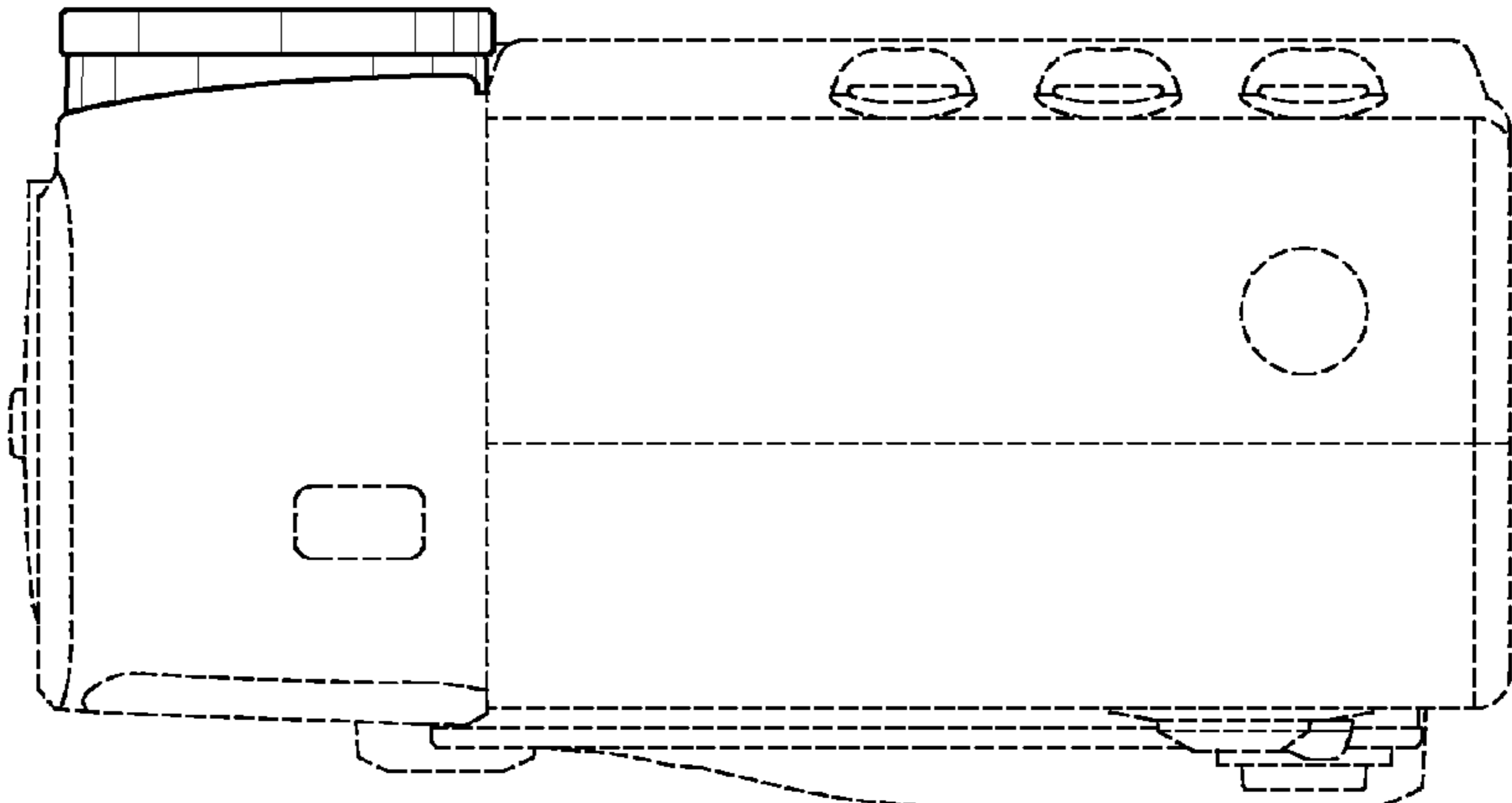


FIG.8

