



US00D693395S

(12) **United States Design Patent**  
**Sato**

(10) **Patent No.:** **US D693,395 S**  
(45) **Date of Patent:** **\*\* Nov. 12, 2013**

(54) **CAMERA BODY**

D654,943 S \* 2/2012 Ogasawara et al. .... D16/219  
D662,958 S \* 7/2012 Fujita ..... D16/202  
D677,302 S \* 3/2013 Fujita et al. .... D16/219

(75) Inventor: **Jun Sato**, Saitama (JP)

\* cited by examiner

(73) Assignee: **FUJIFILM Corporation**, Tokyo (JP)

*Primary Examiner* — Adir Aronovich

(\*\*) Term: **14 Years**

(74) *Attorney, Agent, or Firm* — Sughrue Mion, PLLC

(21) Appl. No.: **29/426,348**

(22) Filed: **Jul. 3, 2012**

(57) **CLAIM**

The ornamental design for a camera body, as shown and described.

(30) **Foreign Application Priority Data**

**DESCRIPTION**

Jan. 6, 2012 (JP) ..... 2012-000167

(51) **LOC (9) Cl.** ..... **16-05**

(52) **U.S. Cl.**  
USPC ..... **D16/219**

(58) **Field of Classification Search**  
USPC ..... D16/200, 202, 204, 218, 219;  
348/373–376; 358/909.1; 396/535, 540  
See application file for complete search history.

FIG. 1 is a top, front and left side perspective view of a camera body showing my new design;  
FIG. 2 is a top, rear and right side perspective view thereof;  
FIG. 3 is a rear elevational view thereof;  
FIG. 4 is a top plan view thereof;  
FIG. 5 is a bottom plan view thereof;  
FIG. 6 is a left side elevational view thereof; and,  
FIG. 7 is a top, front and left side perspective view thereof in a manner of use.

(56) **References Cited**

The portions of the camera body in broken lines are shown for illustrative purposes only and form no part of the claimed design.

**U.S. PATENT DOCUMENTS**

D564,007 S \* 3/2008 Ishii ..... D16/219  
D634,769 S \* 3/2011 Sato ..... D16/212

**1 Claim, 7 Drawing Sheets**

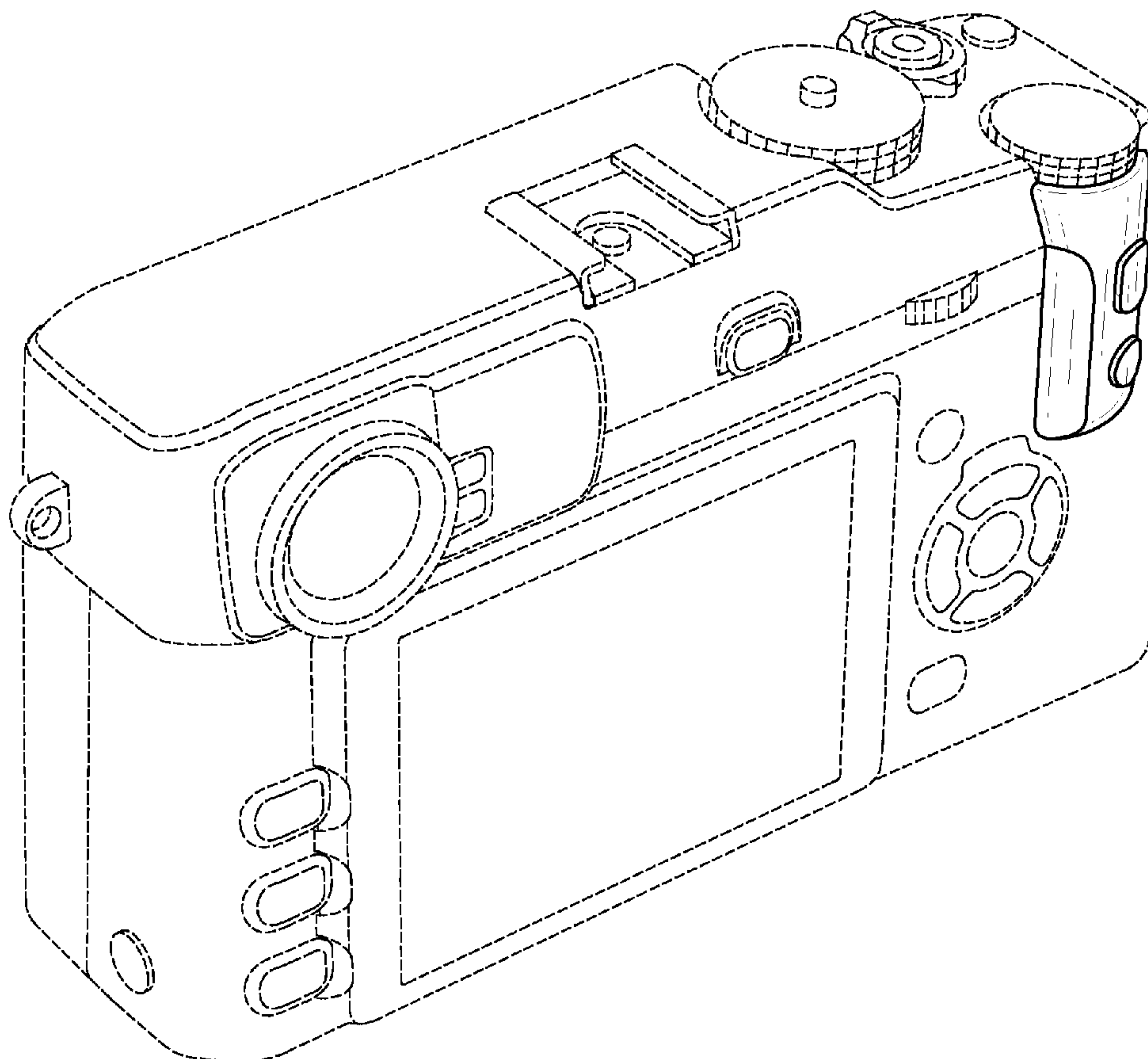


FIG.1

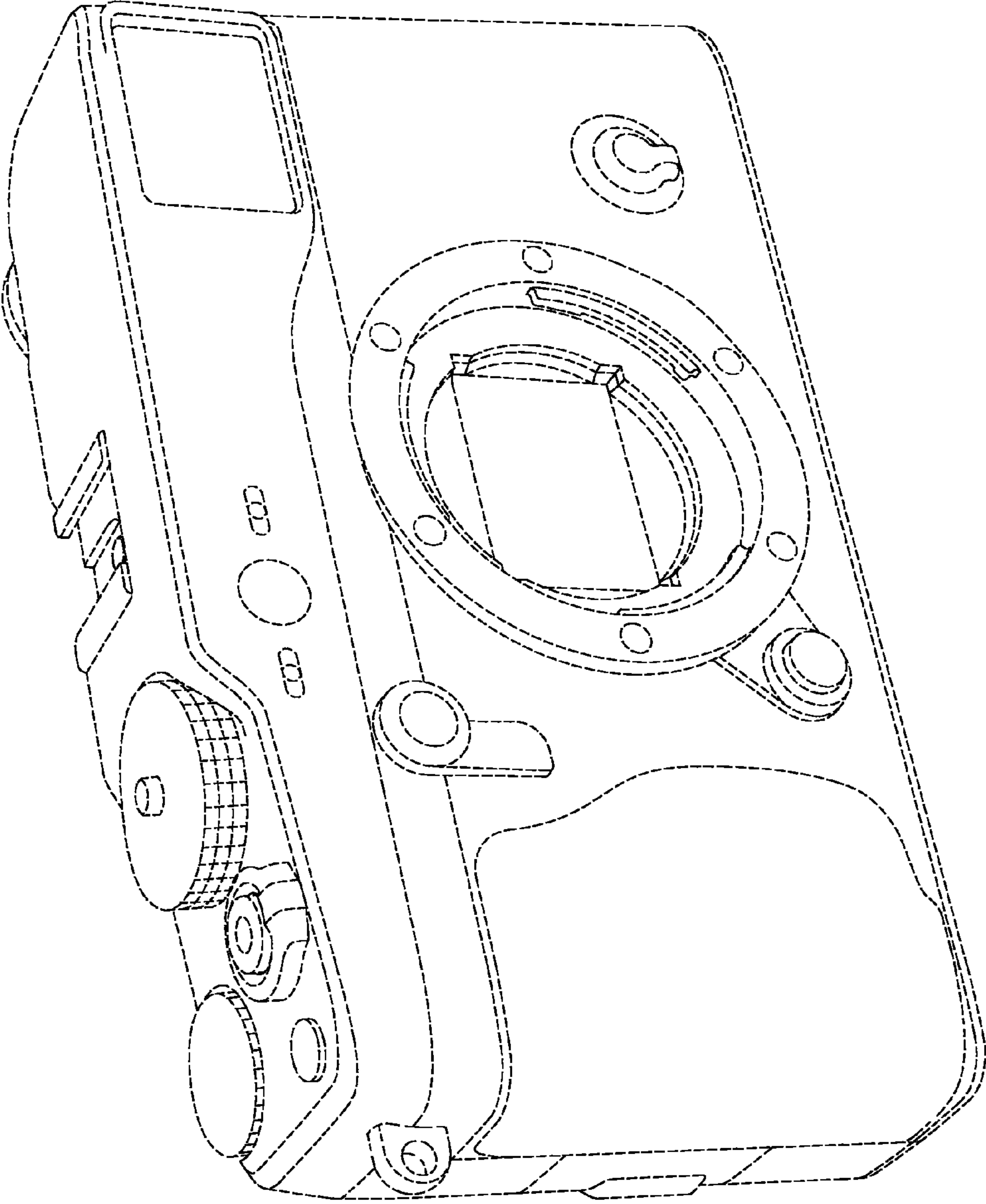


FIG.2

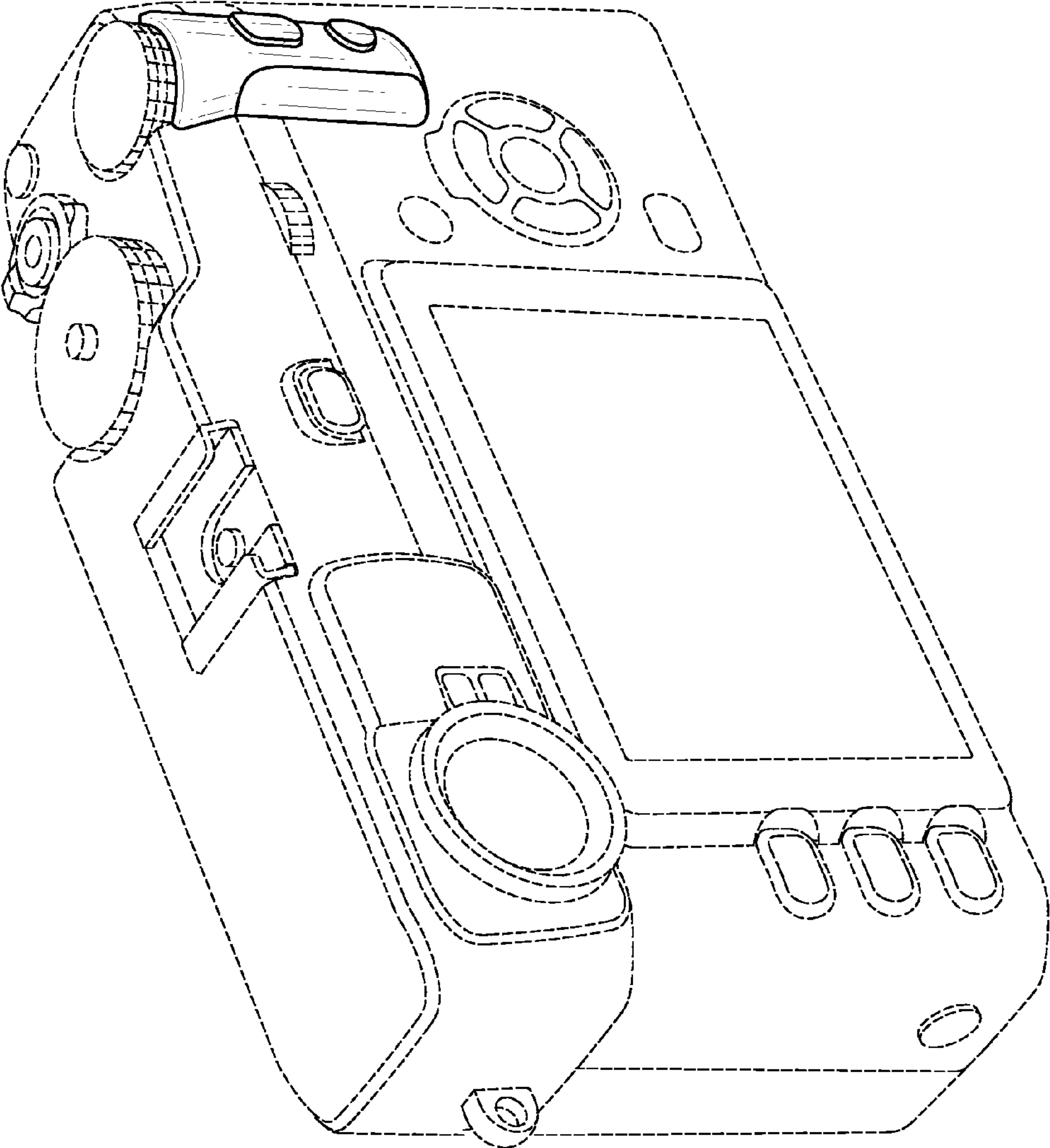


FIG.3

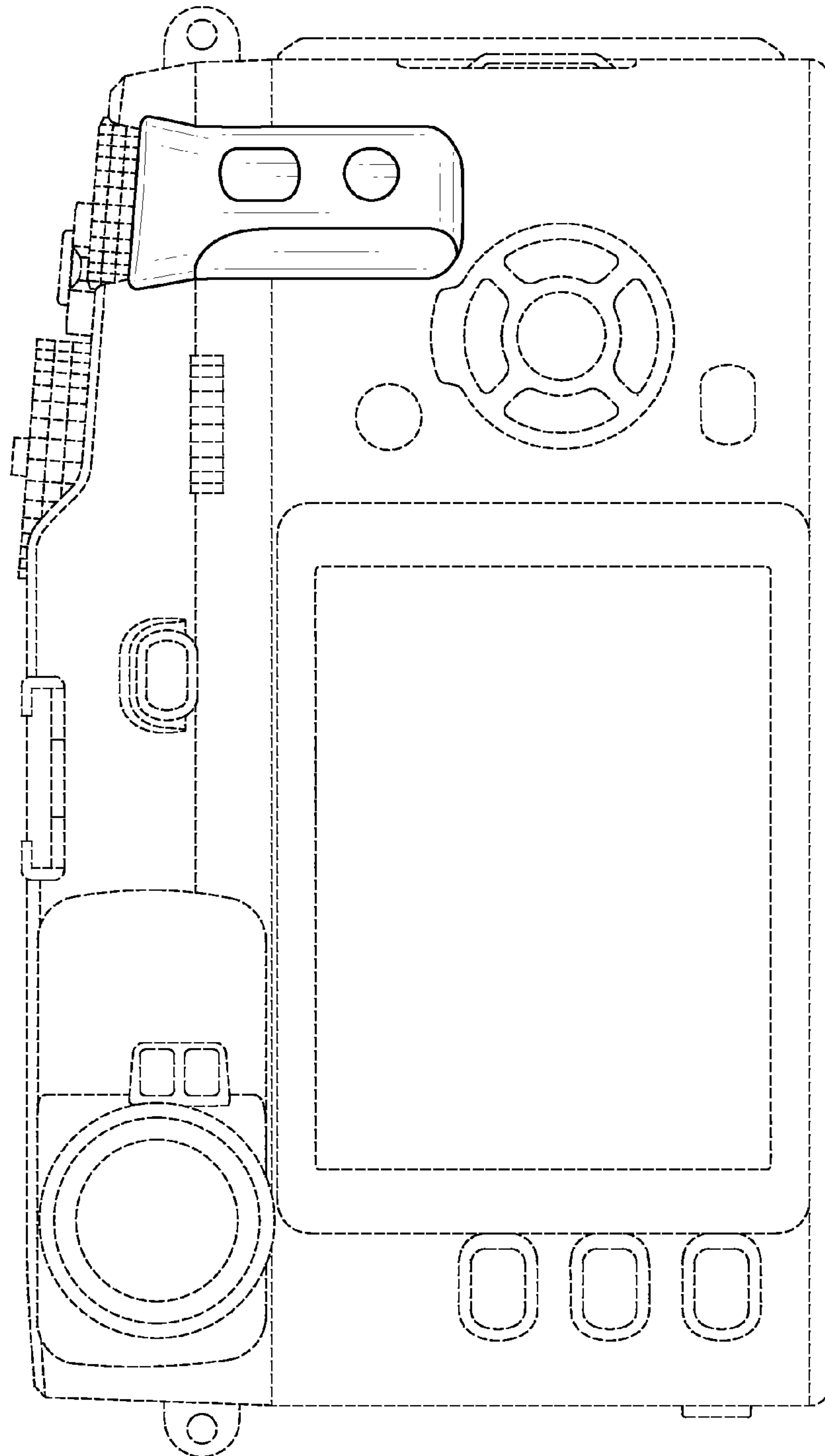


FIG.4

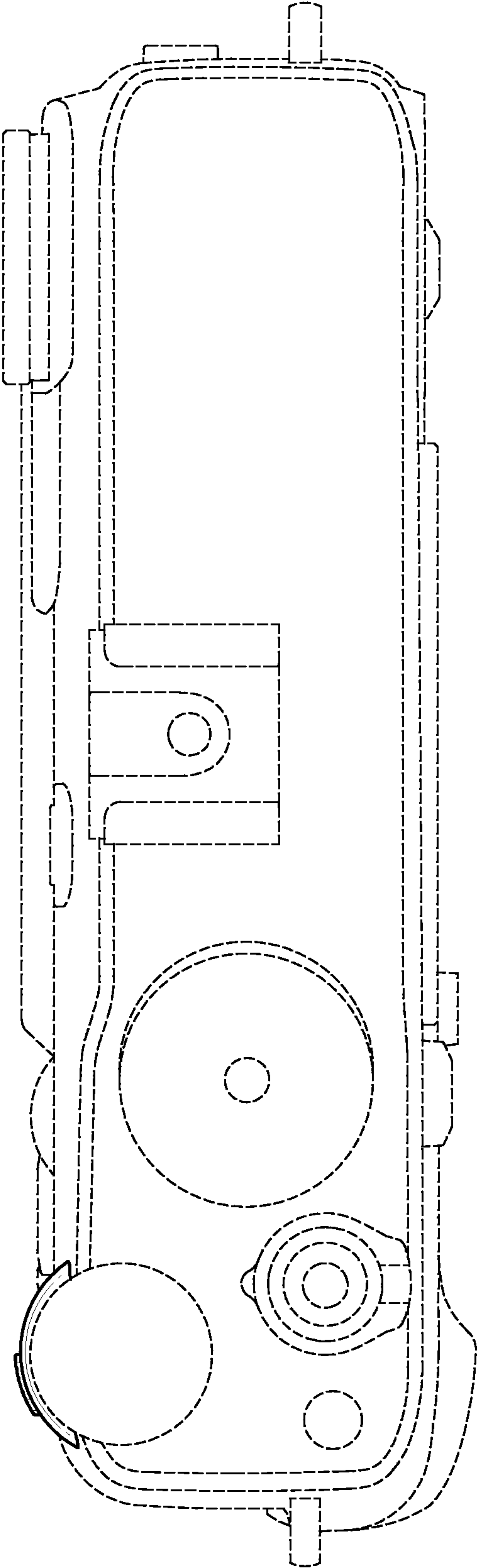


FIG.5

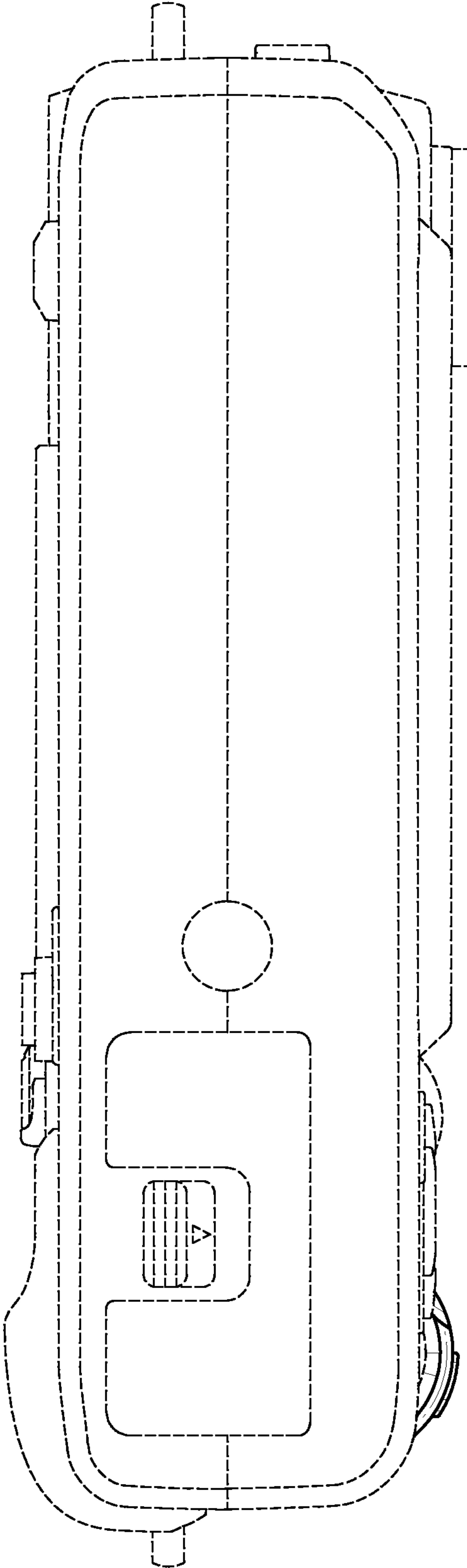




FIG. 6

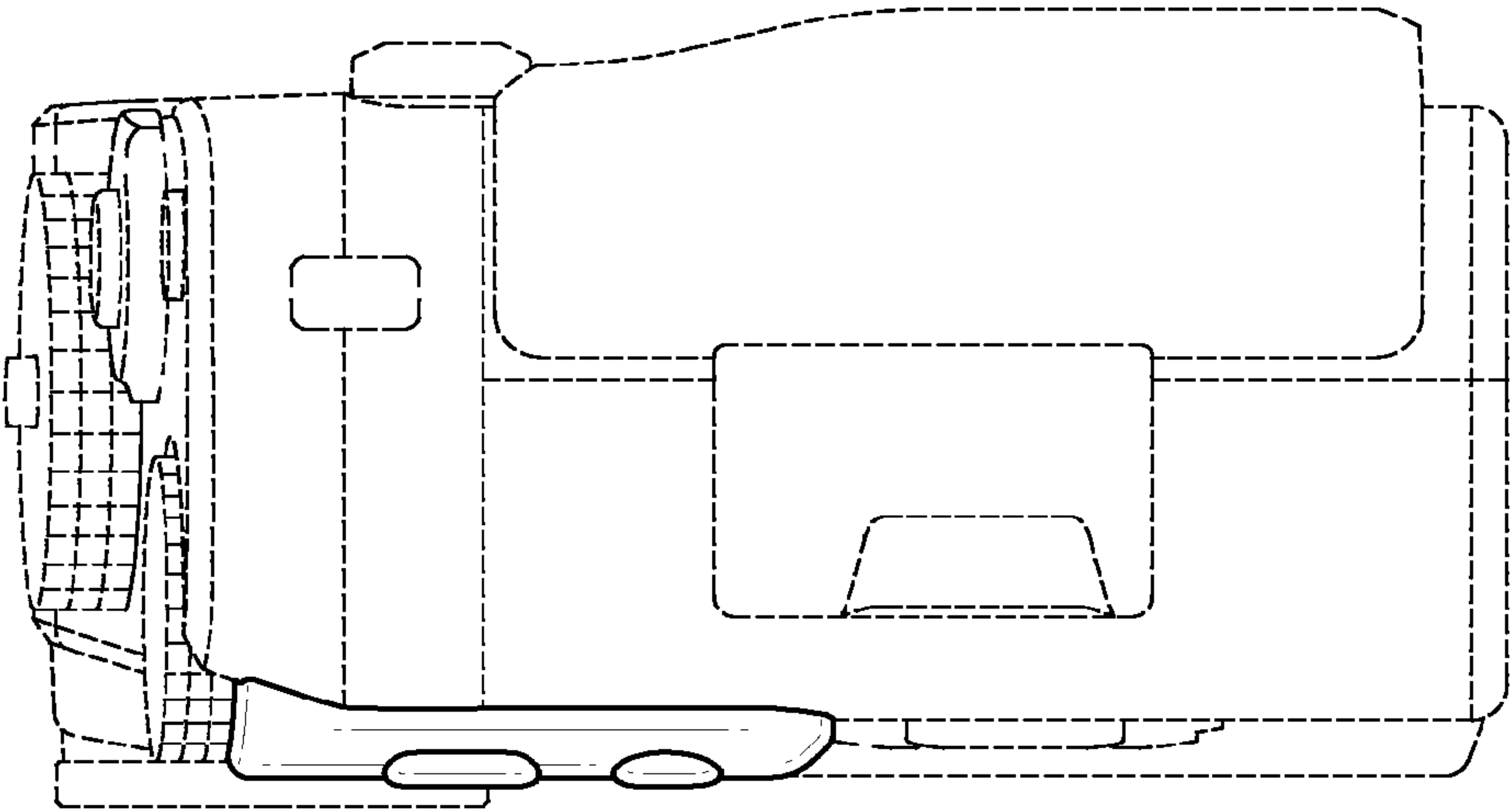


FIG. 7

