



US00D693393S

(12) **United States Design Patent**
Henry

(10) **Patent No.:** **US D693,393 S**

(45) **Date of Patent:** **** Nov. 12, 2013**

(54) **PORTABLE HEAT WELDING MACHINE**

(75) Inventor: **Brian D. Henry**, North Lawrence, OH
(US)

(73) Assignee: **Miller Weldmaster Corporation**,
Navarre, OH (US)

(**) Term: **14 Years**

(21) Appl. No.: **29/428,002**

(22) Filed: **Jul. 25, 2012**

Related U.S. Application Data

(62) Division of application No. 29/404,485, filed on Oct.
21, 2011, now Pat. No. Des. 666,644.

(51) **LOC (9) Cl.** **15-09**

(52) **U.S. Cl.**
USPC **D15/144**

(58) **Field of Classification Search**
USPC D8/29.1, 30; D13/133; D15/144, 144.1,
D15/144.2; 219/125.1, 130, 130.5, 132,
219/133, 241, 424, 606; 222/146.5, 152,
222/156, 189.06, 397; 228/8, 20, 51, 111.5
See application file for complete search history.

(56) **References Cited**

U.S. PATENT DOCUMENTS

2,929,913 A 3/1960 Miller
D268,185 S 3/1983 Hirose et al.
D274,914 S 7/1984 Bouman
4,484,055 A 11/1984 Haines et al.

4,510,370 A 4/1985 Szantho et al.
4,656,327 A 4/1987 Wilcox
4,924,055 A 5/1990 Nakahigasi et al.
D327,694 S 7/1992 Tanaka
D363,298 S 10/1995 Takemi
6,075,226 A * 6/2000 Kishbaugh 219/133
D456,426 S 4/2002 Boyer et al.
D523,044 S 6/2006 Hartmann
2013/0098887 A1 * 4/2013 Henry 219/200
2013/0112711 A1 * 5/2013 Lind et al. 222/146.5

* cited by examiner

Primary Examiner — Patricia Palasik

(74) *Attorney, Agent, or Firm* — Sand & Sebolt

(57) **CLAIM**

The ornamental design for a portable heat welding machine,
as shown and described.

DESCRIPTION

FIG. 1 is a perspective view of the portable heat welding
machine of the present invention.

FIG. 2 is a front elevational view of the portable heat welding
machine.

FIG. 3 is a rear elevational view of the portable heat welding
machine.

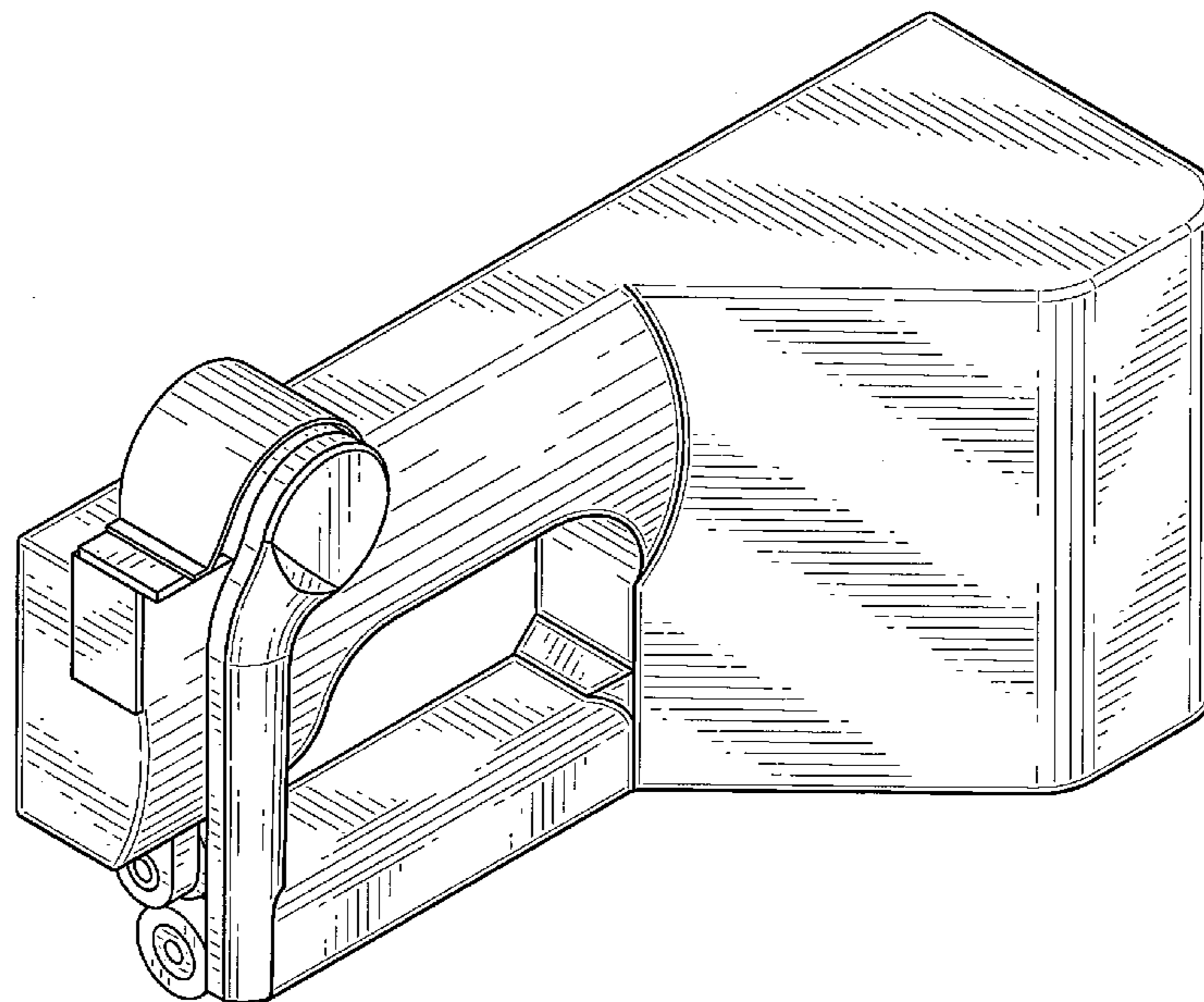
FIG. 4 is a top plan view of the portable heat welding
machine.

FIG. 5 is a bottom plan view of the portable heat welding
machine.

FIG. 6 is a left end elevational view of the portable heat
welding machine; and,

FIG. 7 is a right end elevational view of the portable heat
welding machine.

1 Claim, 5 Drawing Sheets



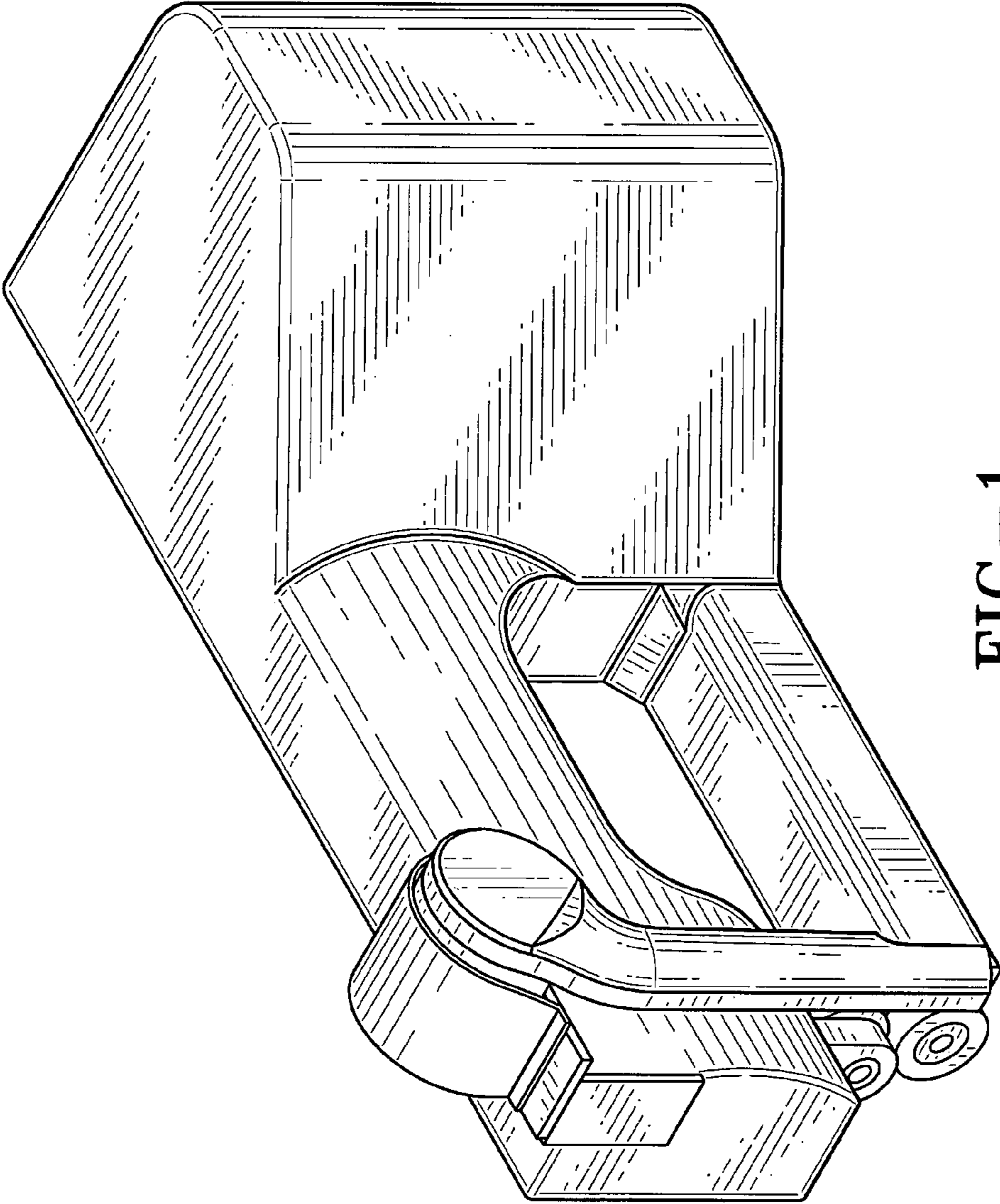


FIG-1

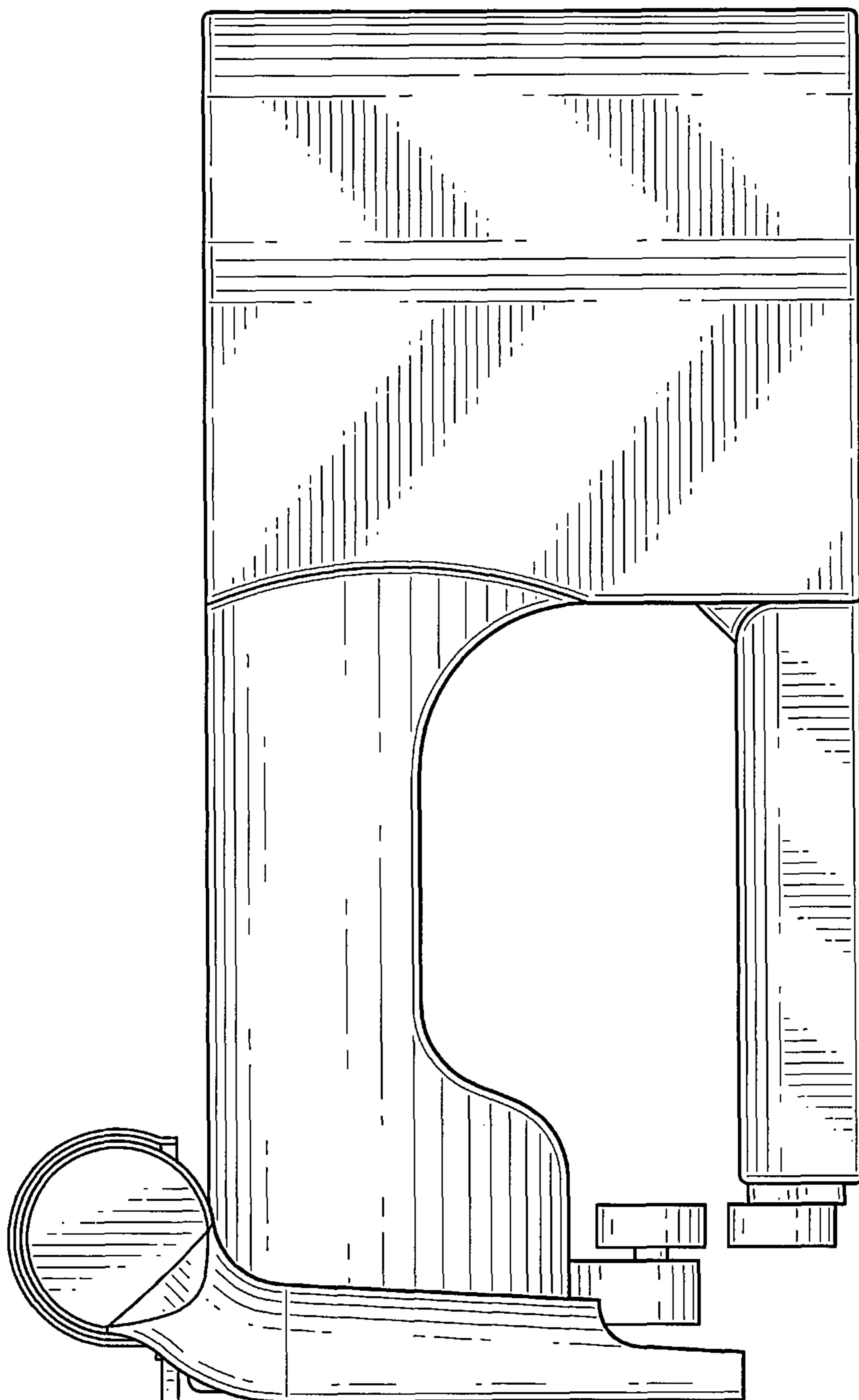


FIG-2

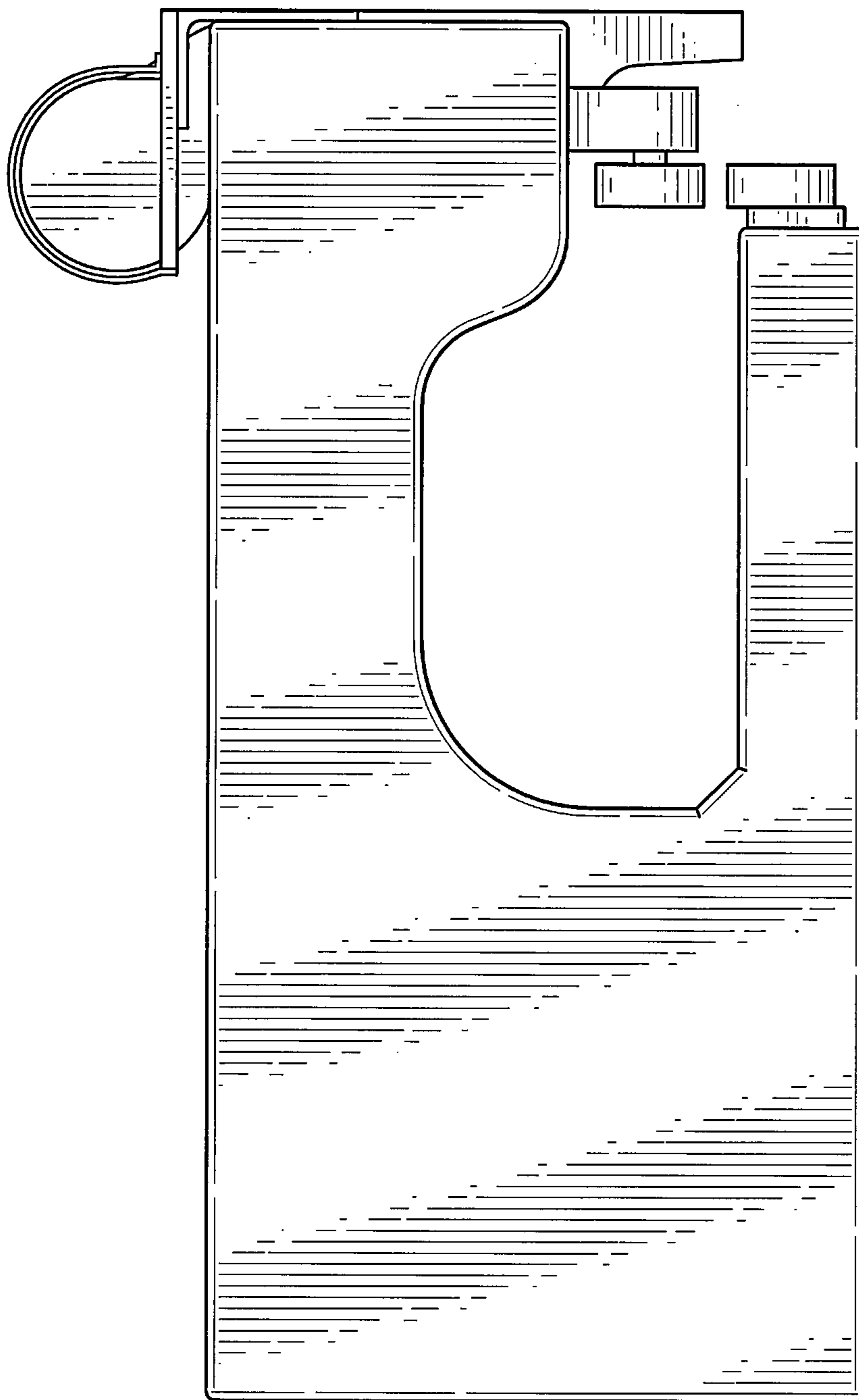


FIG-3

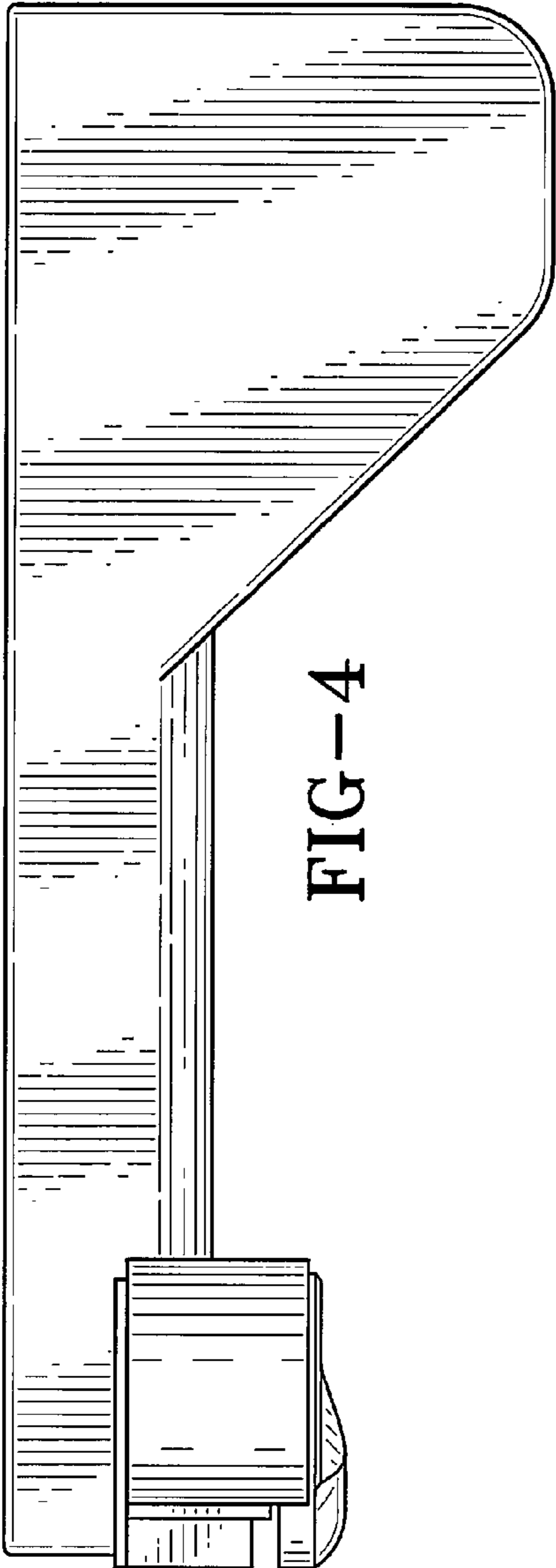


FIG-4

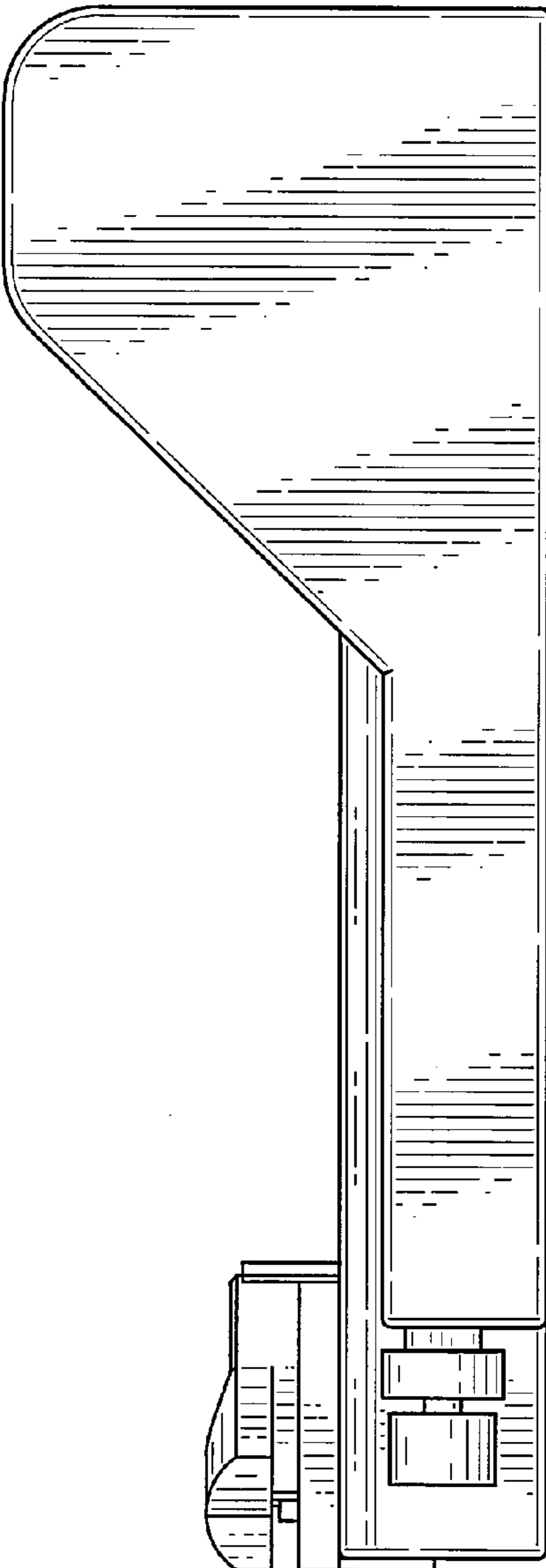


FIG-5

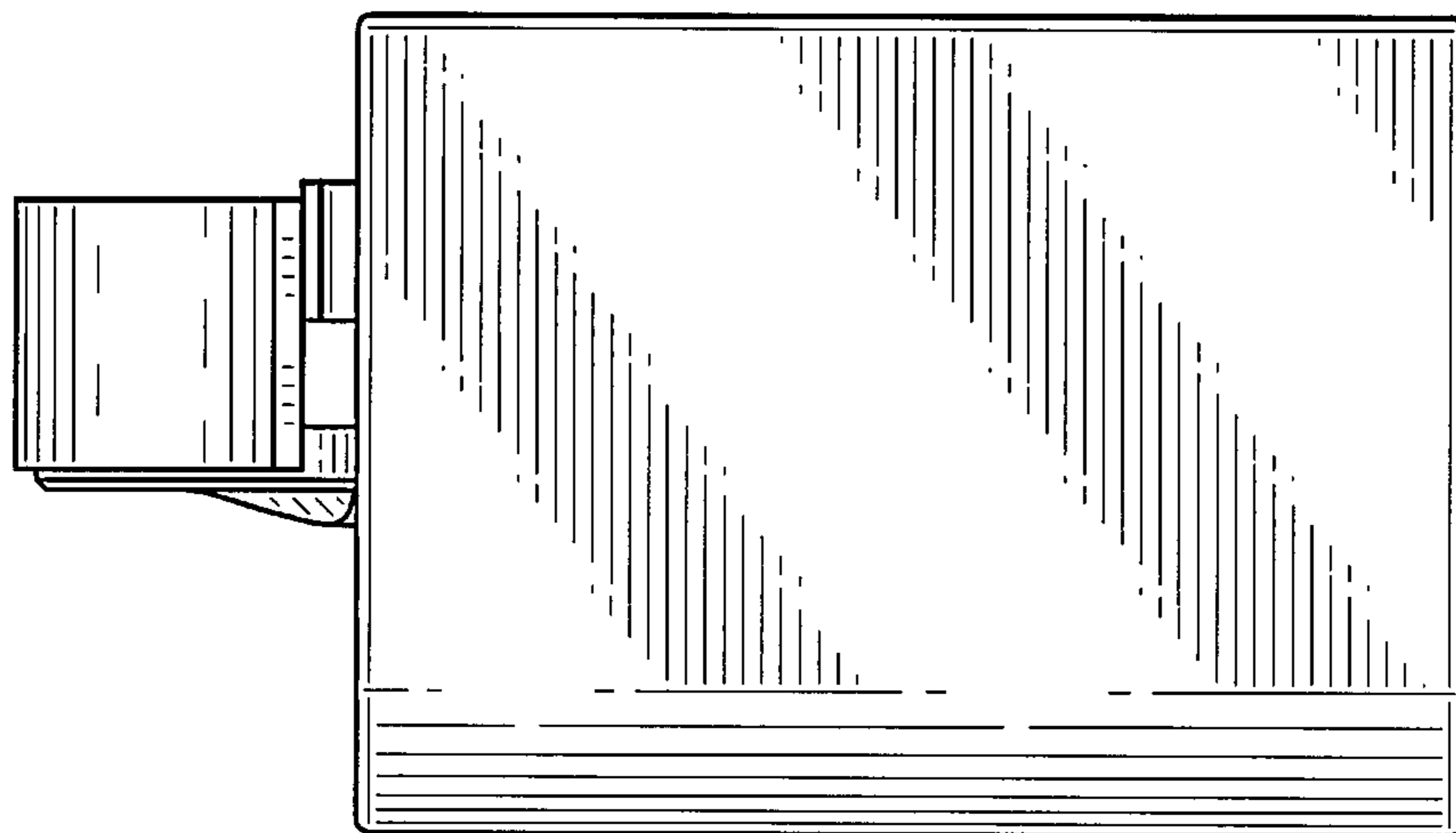


FIG-7

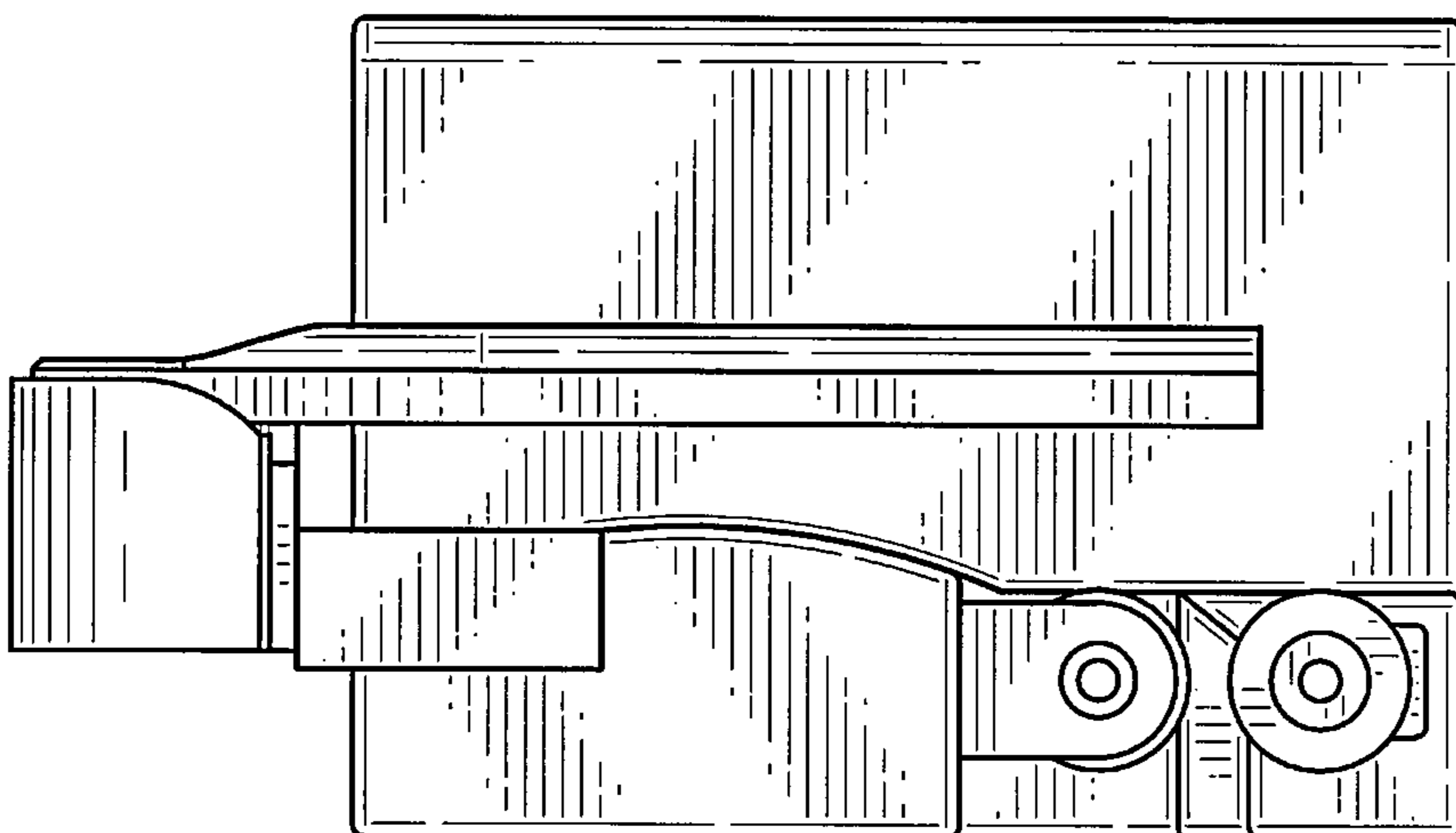


FIG-6