



US00D693392S

(12) **United States Design Patent**
Hall, Jr. et al.

(10) **Patent No.:** **US D693,392 S**

(45) **Date of Patent:** **** Nov. 12, 2013**

(54) **HOUSING FOR A BALL BEARING**

(71) Applicants: **Edwin L. Hall, Jr.**, Amelia Island, FL
(US); **Hampton Hollis Tanner**, Amelia
Island, FL (US)

(72) Inventors: **Edwin L. Hall, Jr.**, Amelia Island, FL
(US); **Hampton Hollis Tanner**, Amelia
Island, FL (US)

(73) Assignee: **Well Traveled Imports**, Amelia Island,
FL (US)

(**) Term: **14 Years**

(21) Appl. No.: **29/455,320**

(22) Filed: **May 20, 2013**

(51) **LOC (9) Cl.** **15-09**

(52) **U.S. Cl.**
USPC **D15/143**

(58) **Field of Classification Search**
USPC D15/7-9, 143, 148, 149, 199; 29/481;
277/419; 360/265.2; 384/222, 258,
384/273, 274, 295, 300, 412, 428, 447, 537,
384/588

See application file for complete search history.

(56) **References Cited**

U.S. PATENT DOCUMENTS

D269,786 S * 7/1983 Ostling D15/143
D297,942 S * 10/1988 Somarakis D15/143

D343,179 S * 1/1994 Waskiewicz D15/143
D367,069 S * 2/1996 Thom et al. D15/143
D371,138 S * 6/1996 Waskiewicz D15/5
D376,160 S * 12/1996 Waskiewicz D15/143
D377,657 S * 1/1997 Winters, Sr. D15/149
D427,217 S * 6/2000 Ostling D15/143
D446,230 S * 8/2001 Olsson D15/143
D479,543 S * 9/2003 Lannoch D15/148
D583,396 S * 12/2008 Playford et al. D15/143
D616,004 S * 5/2010 Andersson et al. D15/143
8,157,450 B2 * 4/2012 Hosmer et al. 384/535
2003/0063826 A1 * 4/2003 Cevasco et al. 384/537

* cited by examiner

Primary Examiner — Patricia Palasik

(74) *Attorney, Agent, or Firm* — Lau & Associates

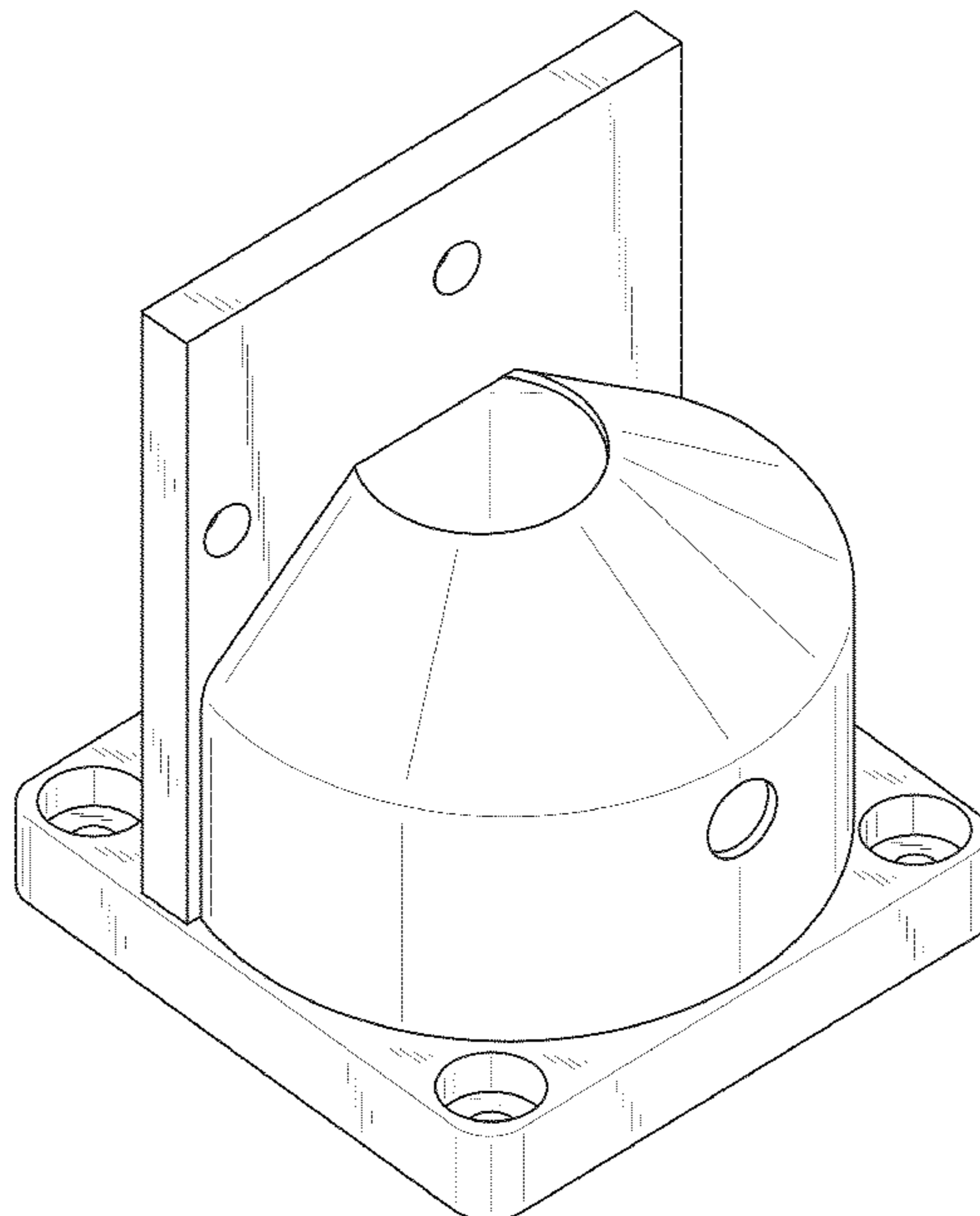
(57) **CLAIM**

The ornamental design for a housing for a ball bearing, as shown and described.

DESCRIPTION

FIG. 1 is a lower perspective view of a ball bearing housing; FIG. 2 is an upper perspective view of the ball bearing housing; FIG. 3 is another upper perspective view of the ball bearing housing; FIG. 4 is a bottom view of the ball bearing housing; FIG. 5 is a first side view of the ball bearing housing; FIG. 6 is a second side view of the ball bearing housing; FIG. 7 is a third side view of the ball bearing housing; FIG. 8 is a fourth side view of the ball bearing housing; and, FIG. 9 is a top view of the ball bearing housing.

1 Claim, 9 Drawing Sheets



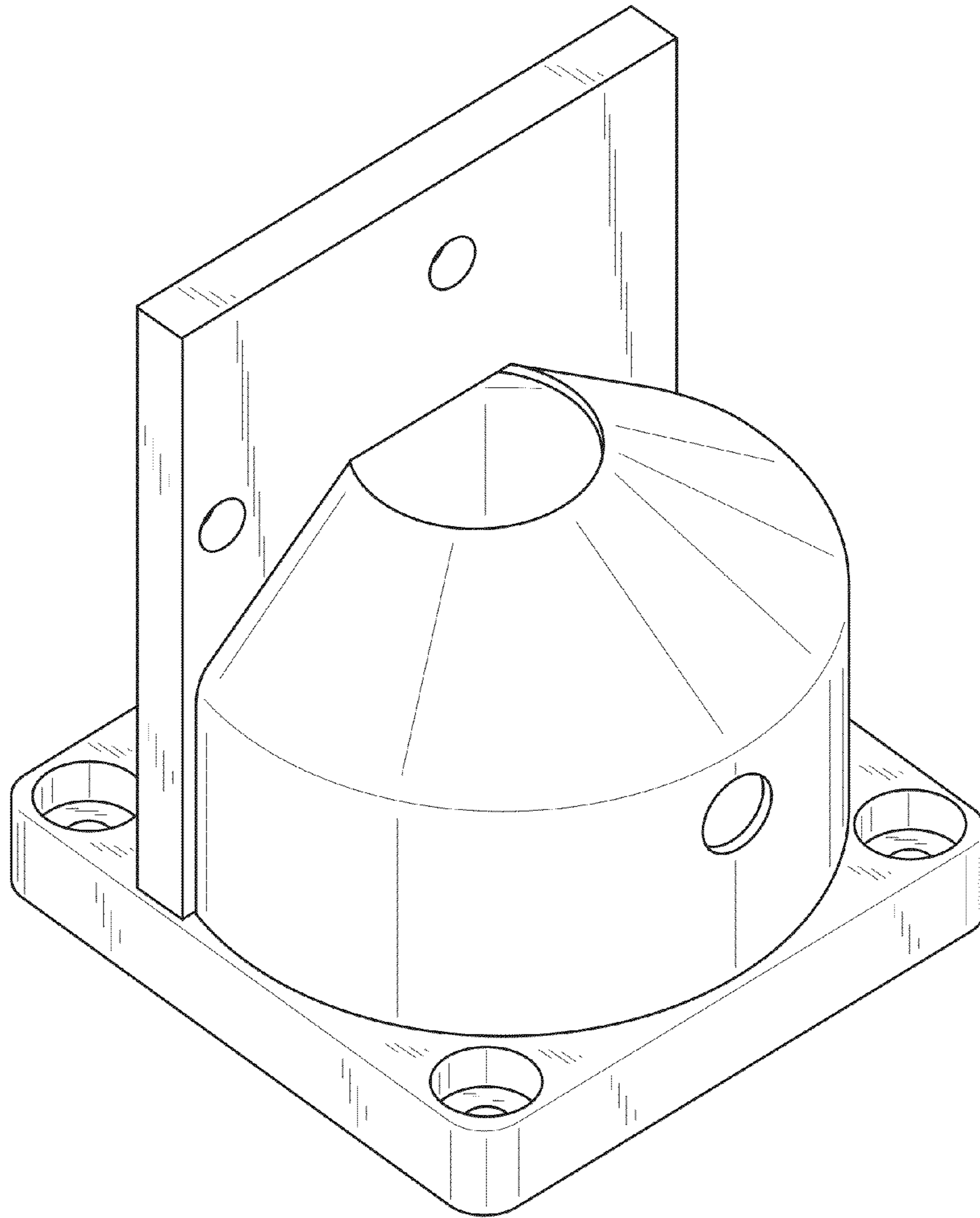


FIG. 1

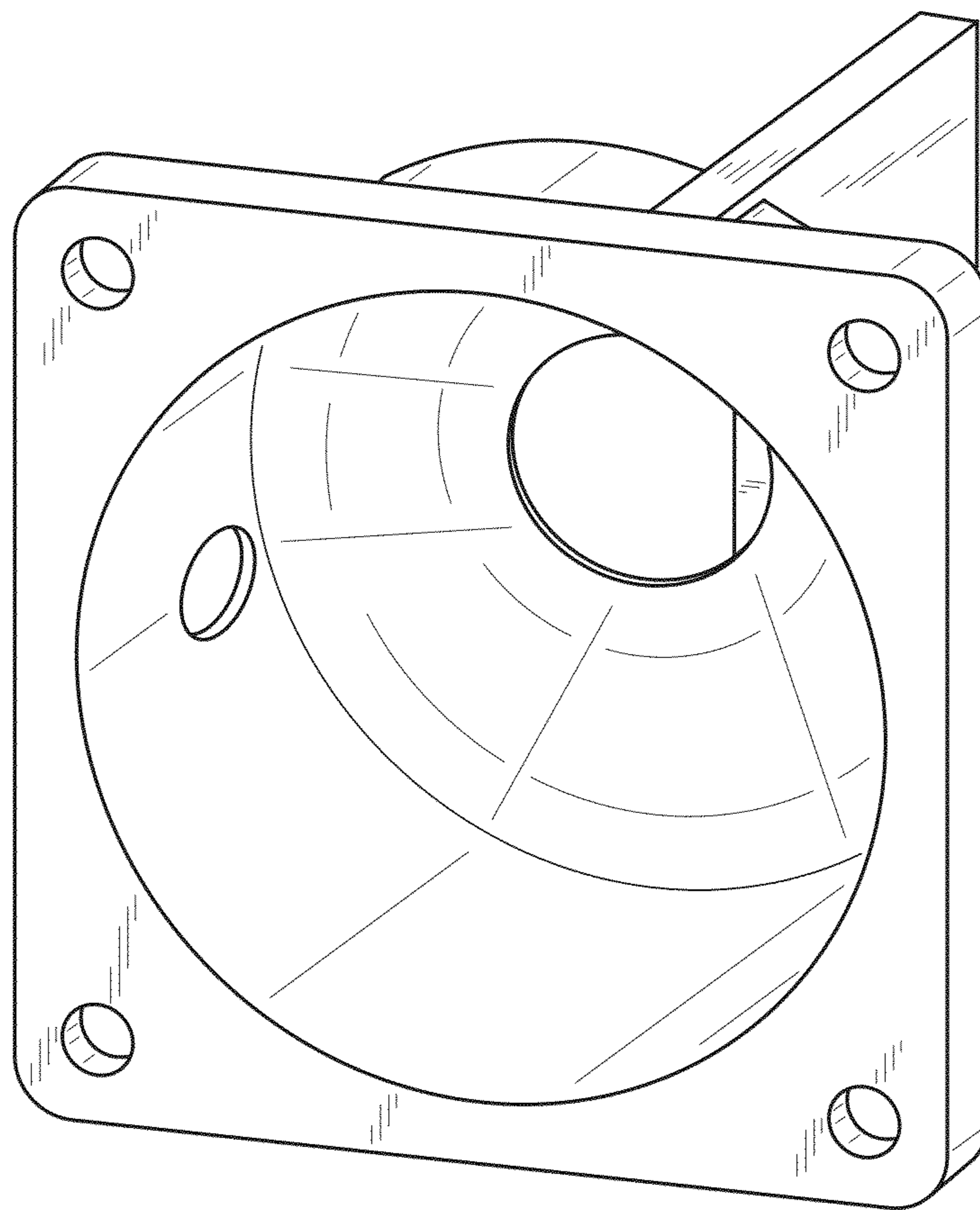


FIG. 2

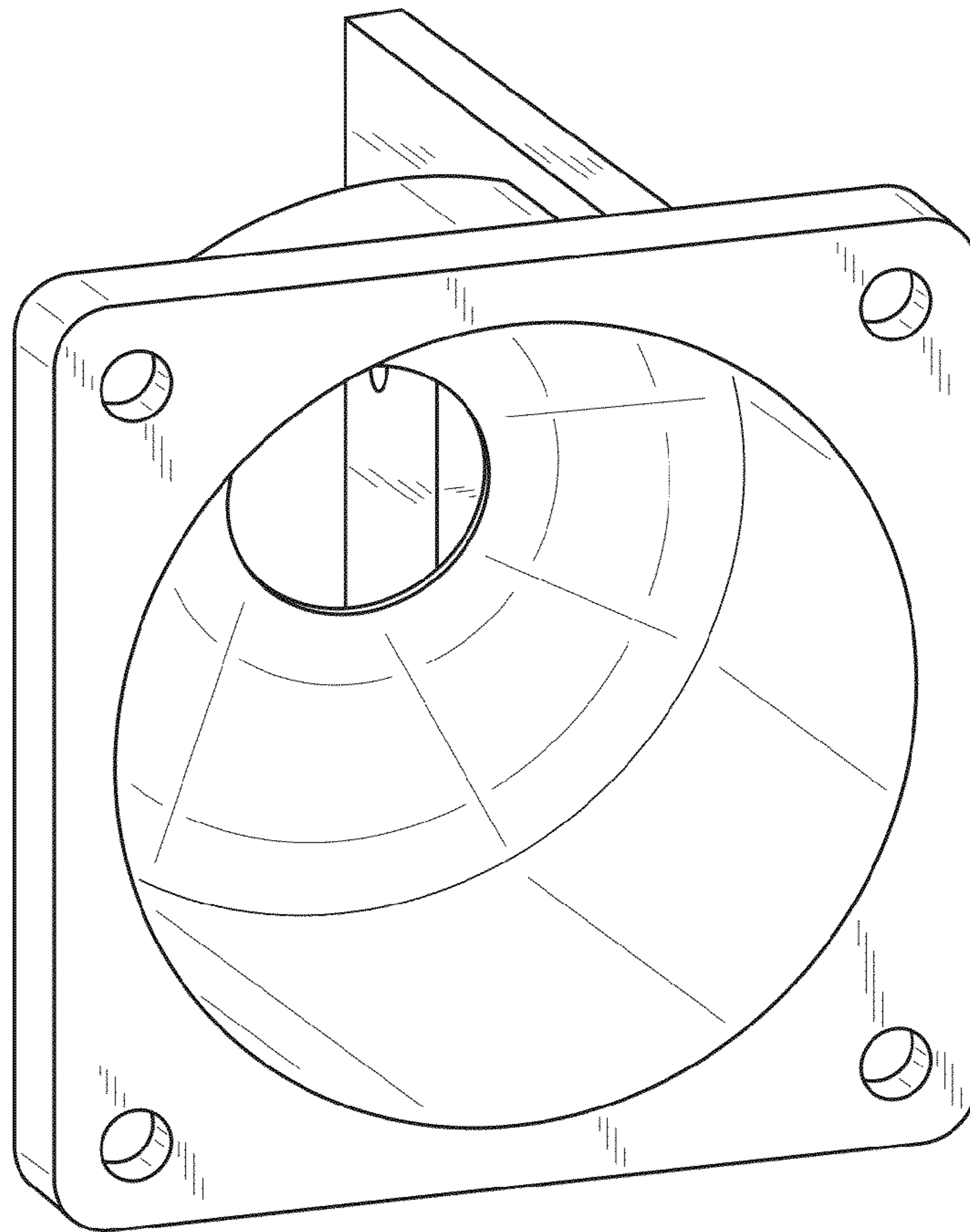


FIG. 3

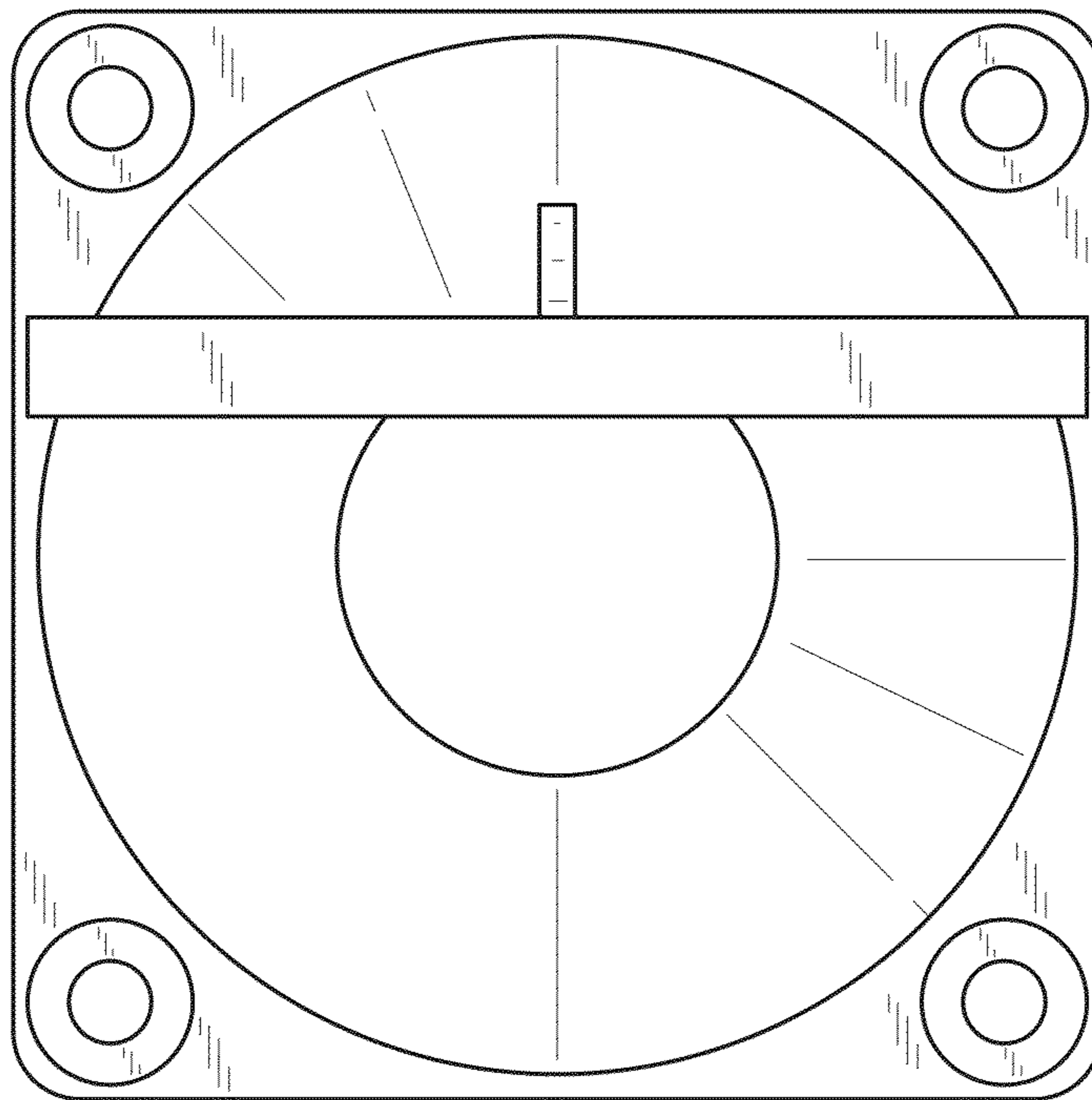


FIG. 4

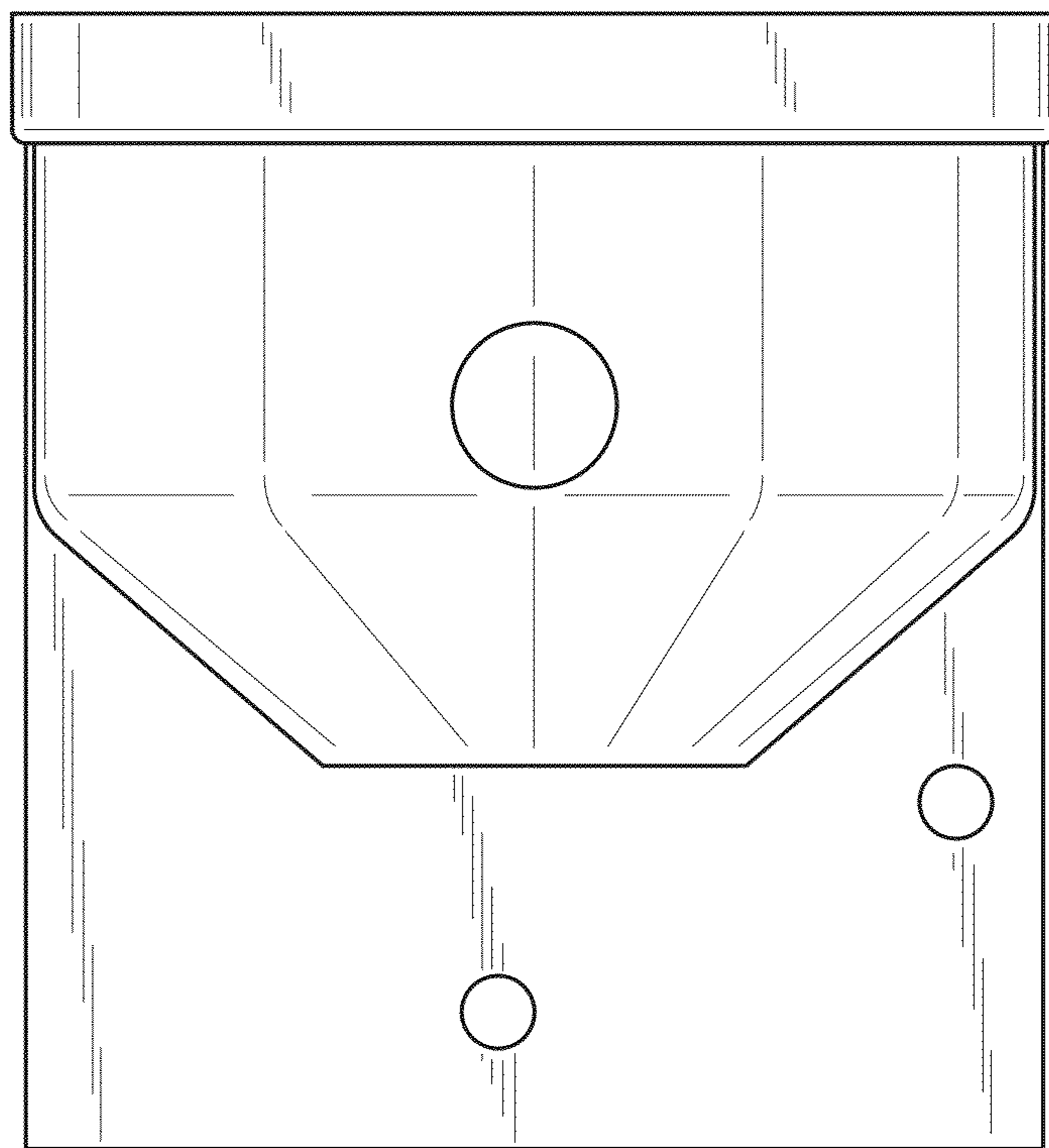


FIG. 5

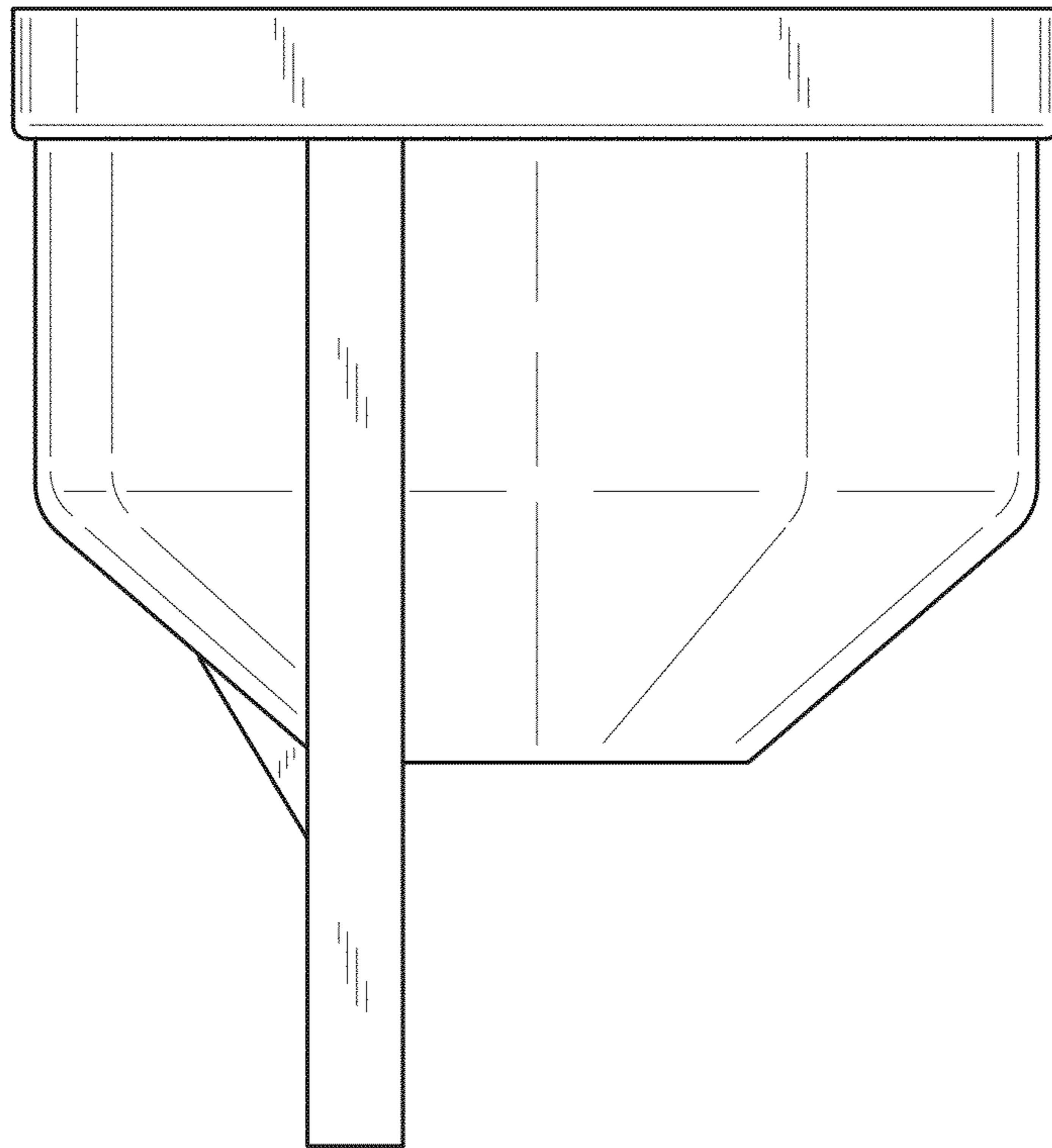


FIG. 6

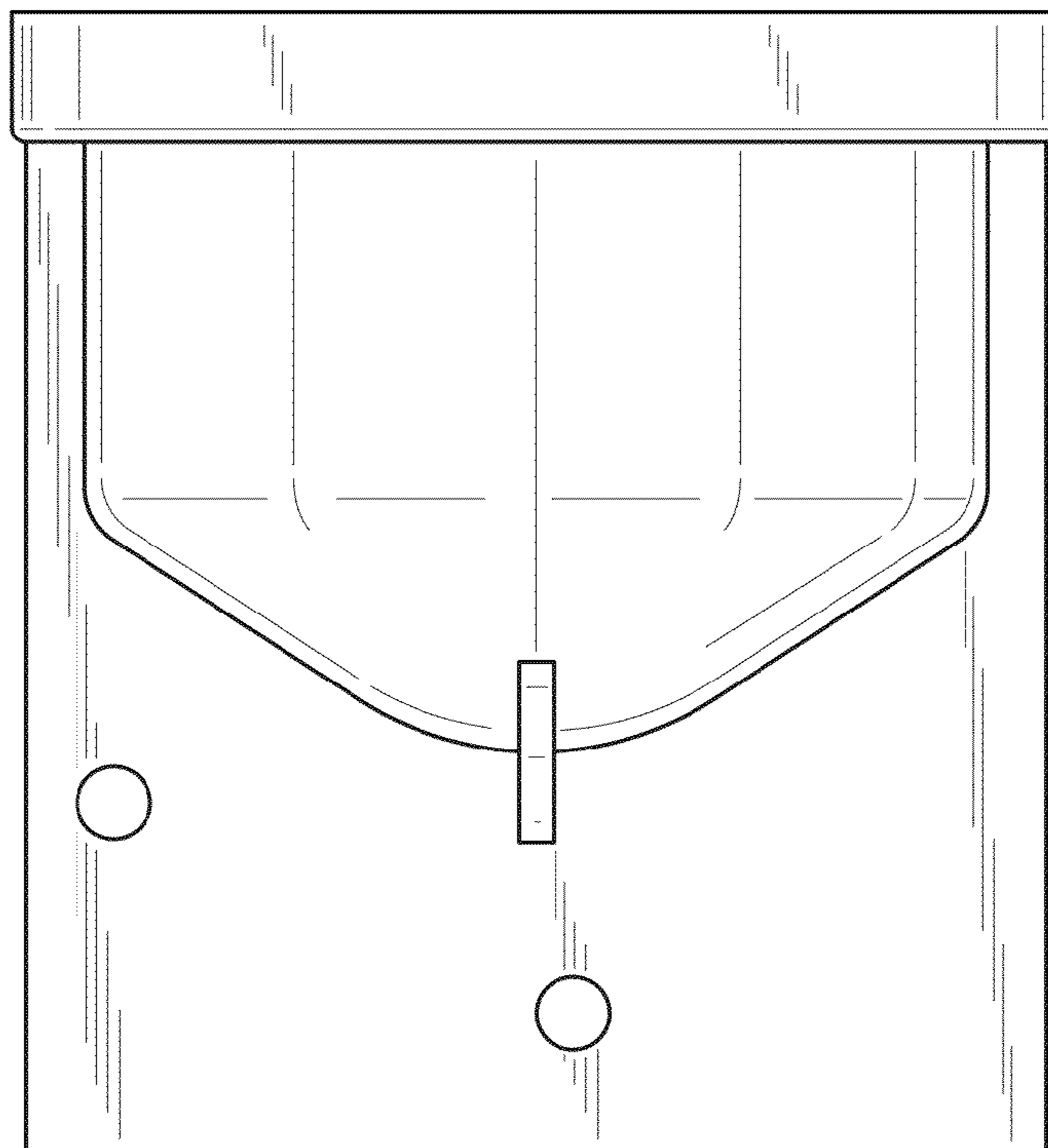


FIG. 7

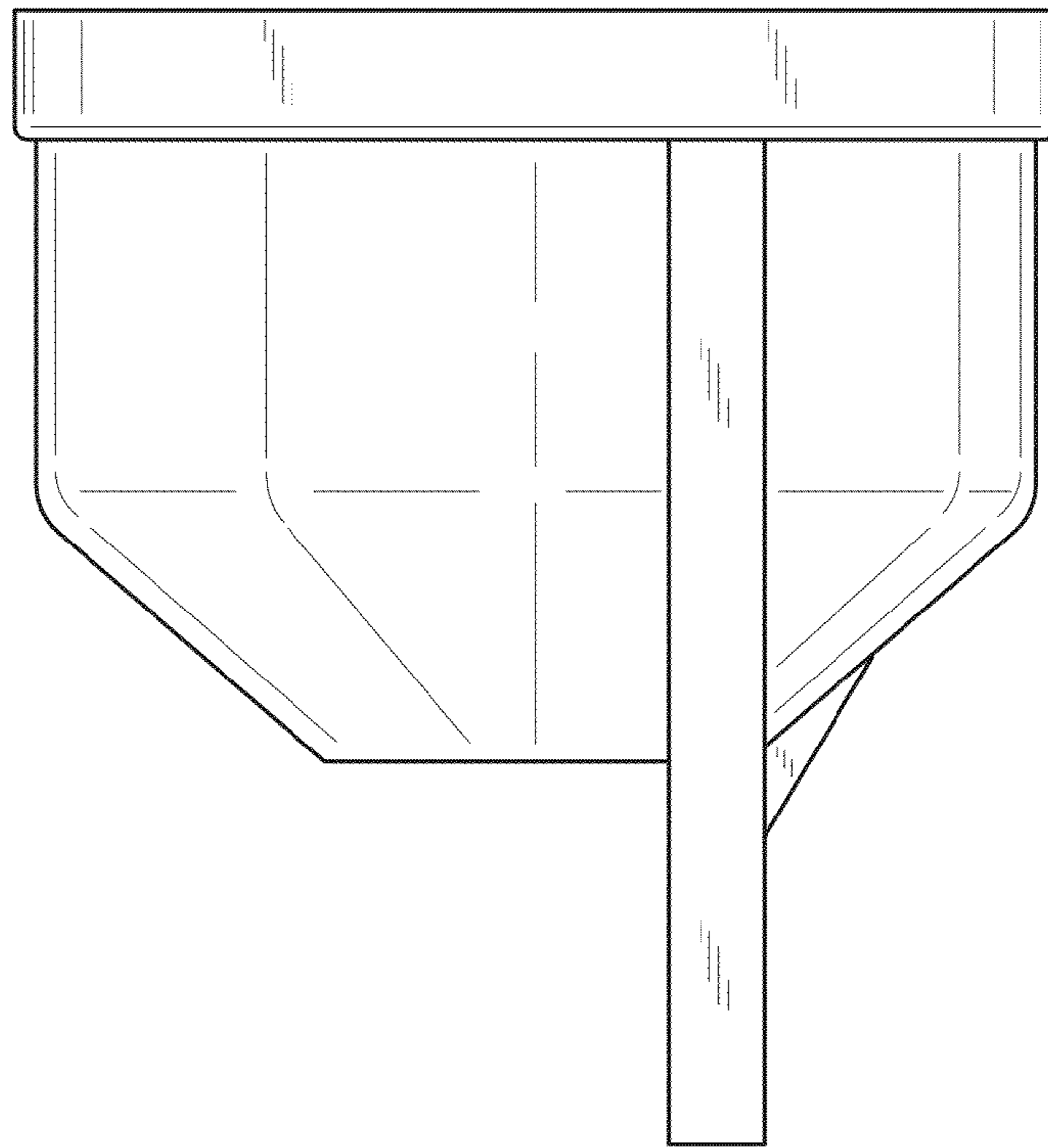


FIG. 8

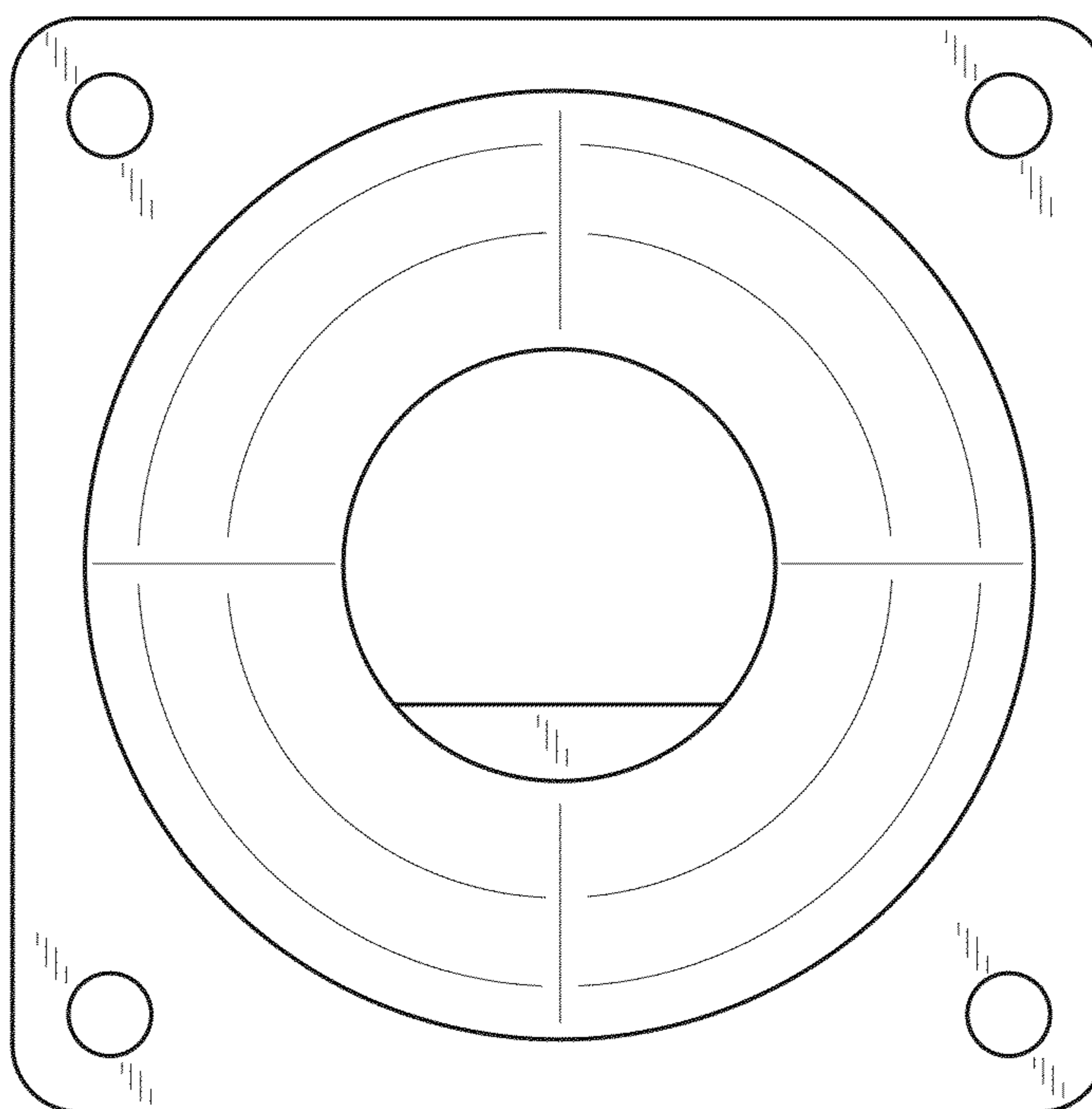


FIG. 9