



US00D693391S

(12) **United States Design Patent**
Roetsch et al.

(10) **Patent No.:** **US D693,391 S**

(45) **Date of Patent:** **** Nov. 12, 2013**

(54) **QUICK-CHANGE TOOL HOLDER**

(71) Applicant: **BOMAG GmbH**, Boppard (DE)

(72) Inventors: **Helmut Roetsch**, Beltheim (DE); **Peter Erdmann**, Emmelshausen (DE); **Steffen Wachsmann**, Koblenz (DE); **Manfred Hammes**, Emmelshausen (DE)

(73) Assignee: **BOMAG GmbH**, Boppard (DE)

(**) Term: **14 Years**

(21) Appl. No.: **29/434,568**

(22) Filed: **Oct. 15, 2012**

(30) **Foreign Application Priority Data**

Apr. 16, 2012 (EP) 002028415

(51) **LOC (9) Cl.** **15-09**

(52) **U.S. Cl.**
USPC **D15/140; D8/71**

(58) **Field of Classification Search**
USPC D8/70, 71; D15/138, 139, 140;
299/102, 106; 408/65, 153; 82/160;
30/329

See application file for complete search history.

(56) **References Cited**

U.S. PATENT DOCUMENTS

D223,684	S	*	5/1972	McPherson	D15/138
D263,837	S	*	4/1982	Treloar	D15/140
5,245,896	A	*	9/1993	Erickson et al.	82/160
5,927,168	A	*	7/1999	Needham	82/160
6,244,665	B1	*	6/2001	Bise et al.	299/106
6,619,165	B2	*	9/2003	Perkowski	82/160
D585,259	S	*	1/2009	Holl et al.	D8/71
7,610,834	B2	*	11/2009	Erickson	82/160

D638,453	S	*	5/2011	Buhr et al.	D15/140
8,201,893	B1	*	6/2012	Sollami	299/102
D666,641	S	*	9/2012	Buhr et al.	D15/140
D667,856	S	*	9/2012	Kammerer et al.	D15/140
2012/0068527	A1	*	3/2012	Erdmann et al.	299/106

FOREIGN PATENT DOCUMENTS

EP	997610	A1	*	5/2000	E21C 35/19
EP	2048323	A1	*	4/2009	E21C 35/193
JP	2000234490	A	*	8/2000	E21C 35/18
WO	WO 2009139691	A1	*	11/2009	E21C 35/18
WO	WO 2010051593	A1	*	5/2010	E21C 35/18

* cited by examiner

Primary Examiner — Philip S Hyder

Assistant Examiner — Darlington Ly

(74) *Attorney, Agent, or Firm* — Wood, Herron & Evans, LLP

(57) **CLAIM**

The ornamental design for a quick-change tool holder, as shown and described.

DESCRIPTION

FIG. 1 is a front isometric view of our new quick-change tool holder design;

FIG. 2 is a right side elevation view thereof;

FIG. 3 is a rear isometric view thereof;

FIG. 4 is a left side elevation view thereof;

FIG. 5 is a top plan view thereof;

FIG. 6 is a front elevation view thereof;

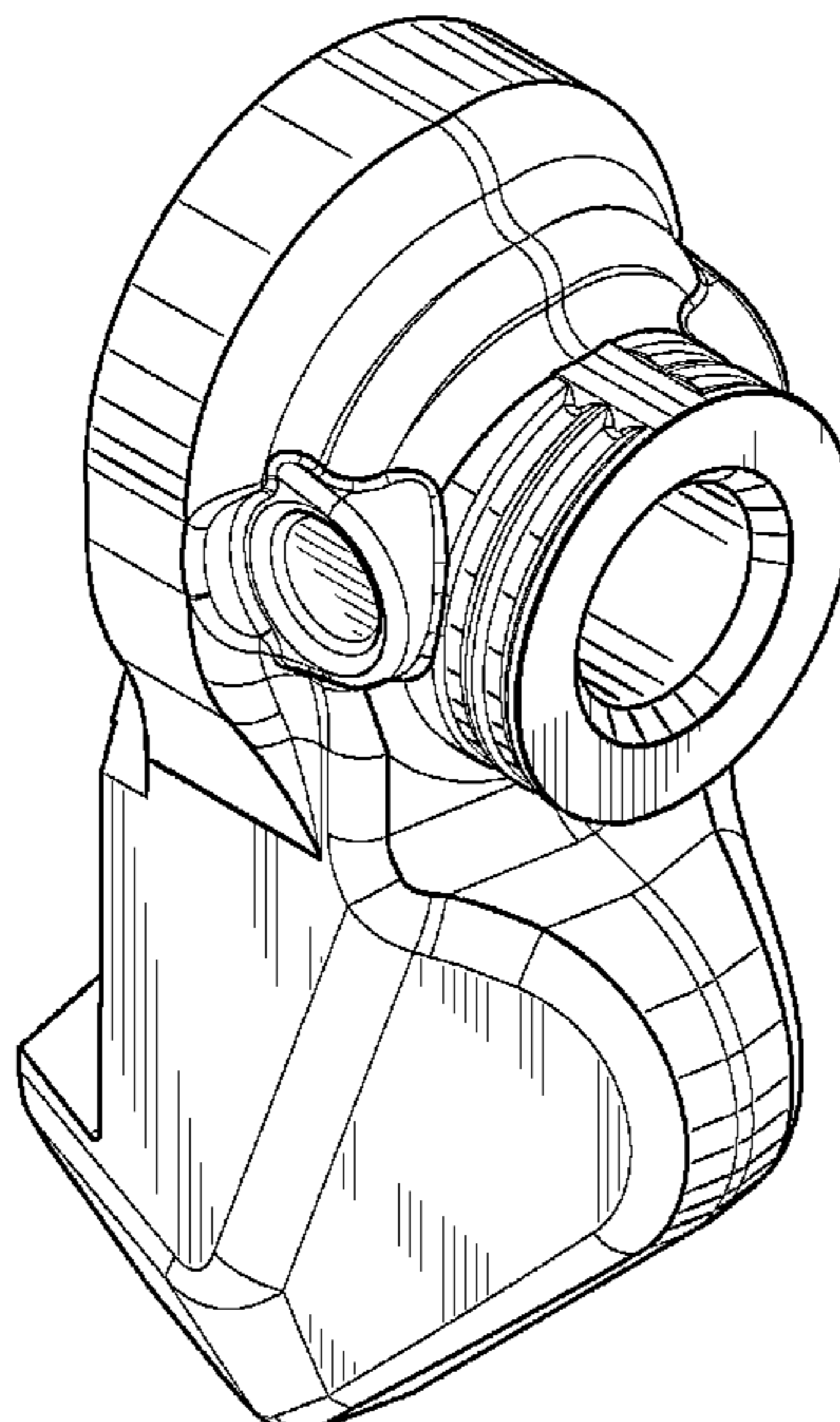
FIG. 7 is a bottom plan view thereof;

FIG. 8 is a cross-sectional view taken along line 8-8 of FIG. 6; and,

FIG. 9 is a rear elevation view thereof.

The broken lines shown in the drawings illustrate a cross sectional plane and portions of the quick-change tool holder that forms no part of claimed design.

1 Claim, 4 Drawing Sheets



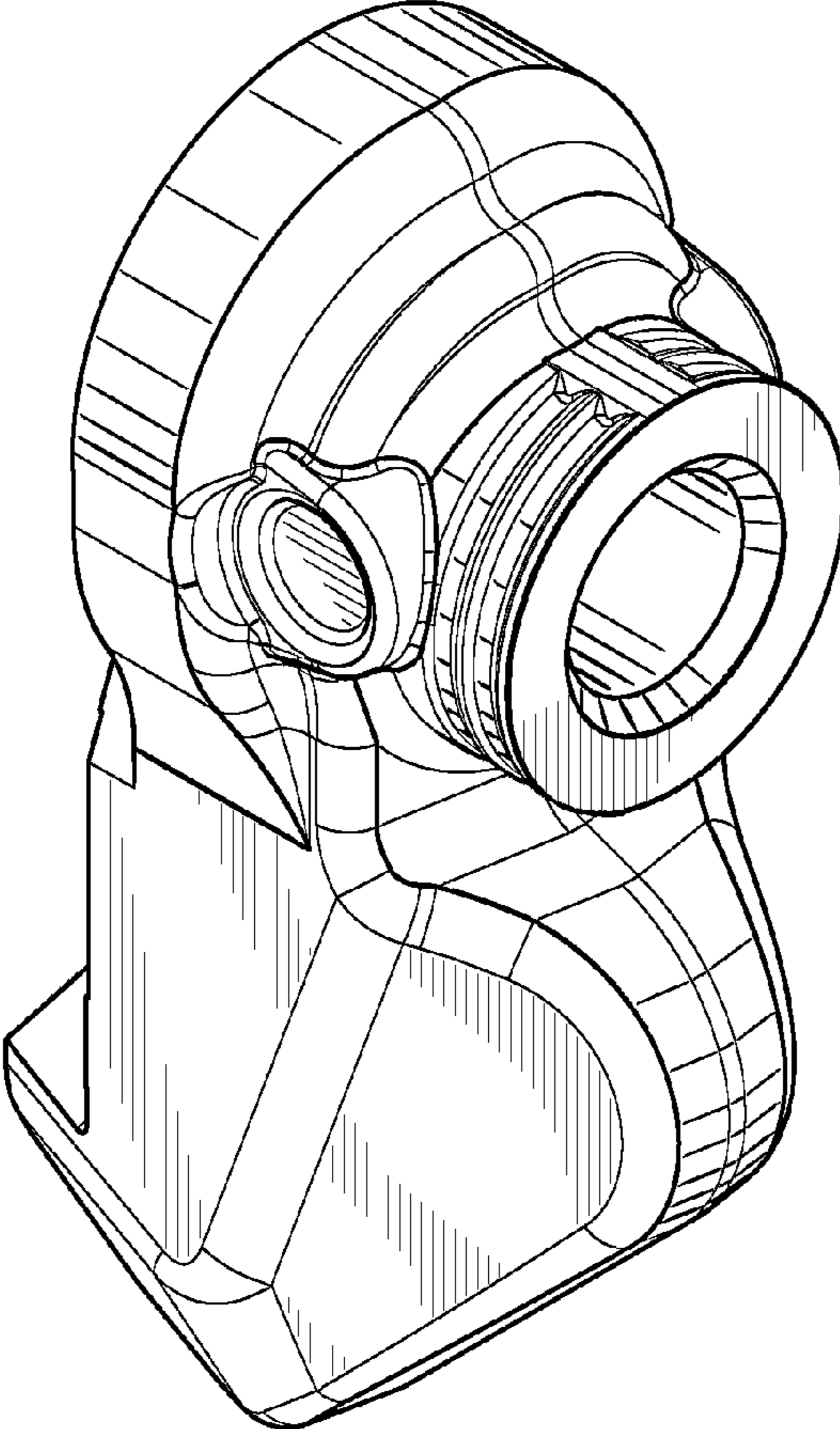


FIG. 1

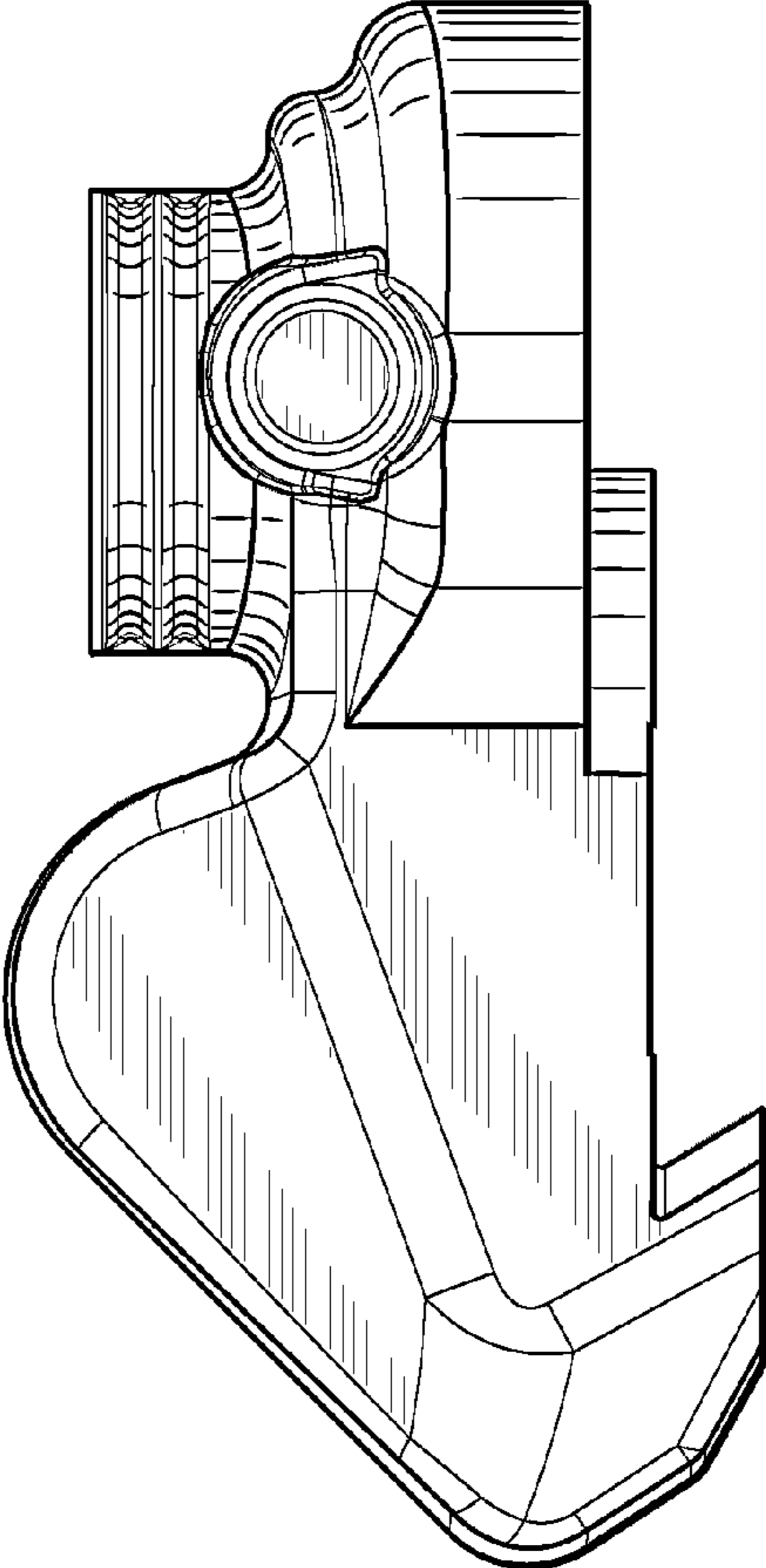


FIG. 2

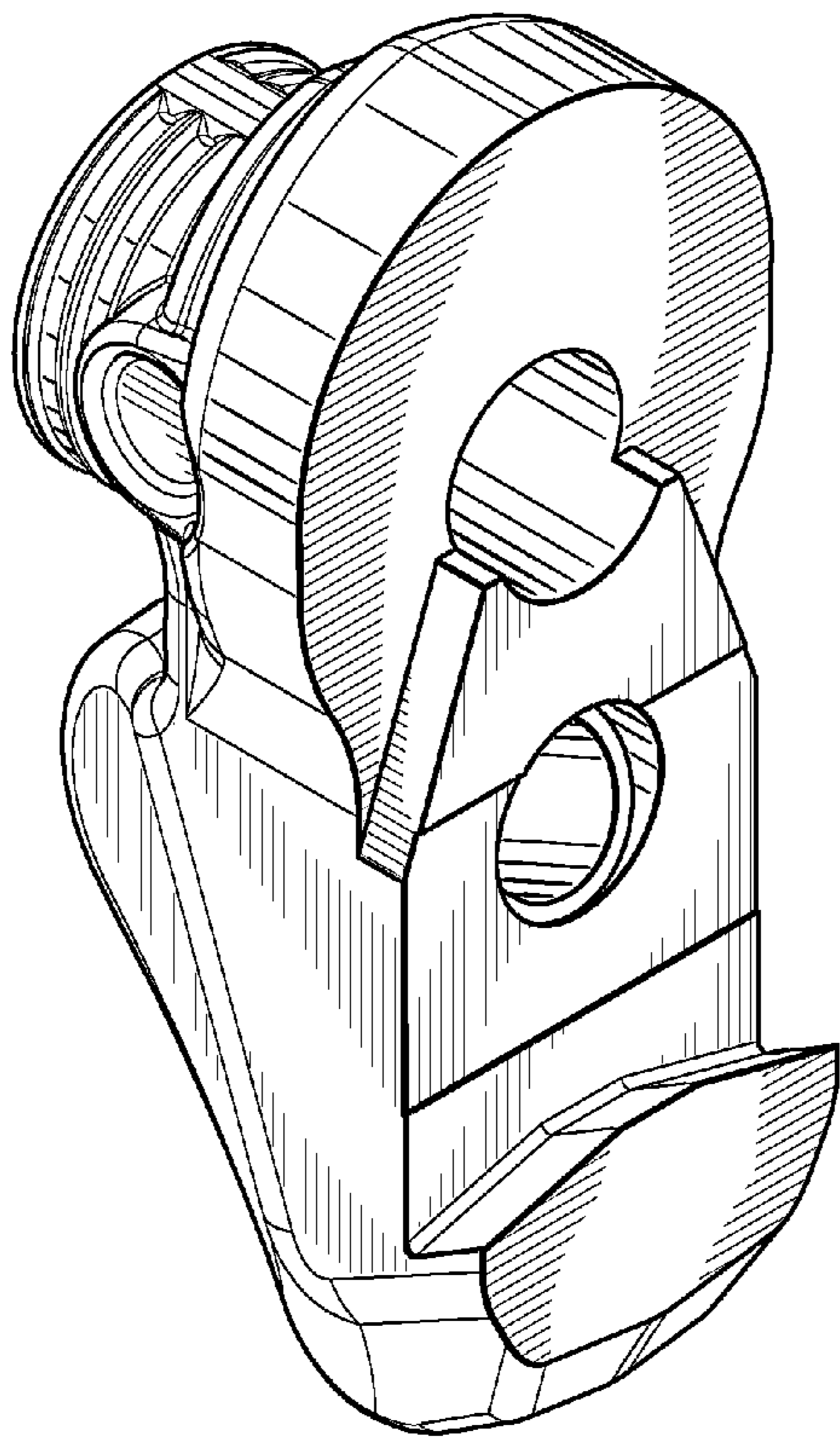


FIG. 3

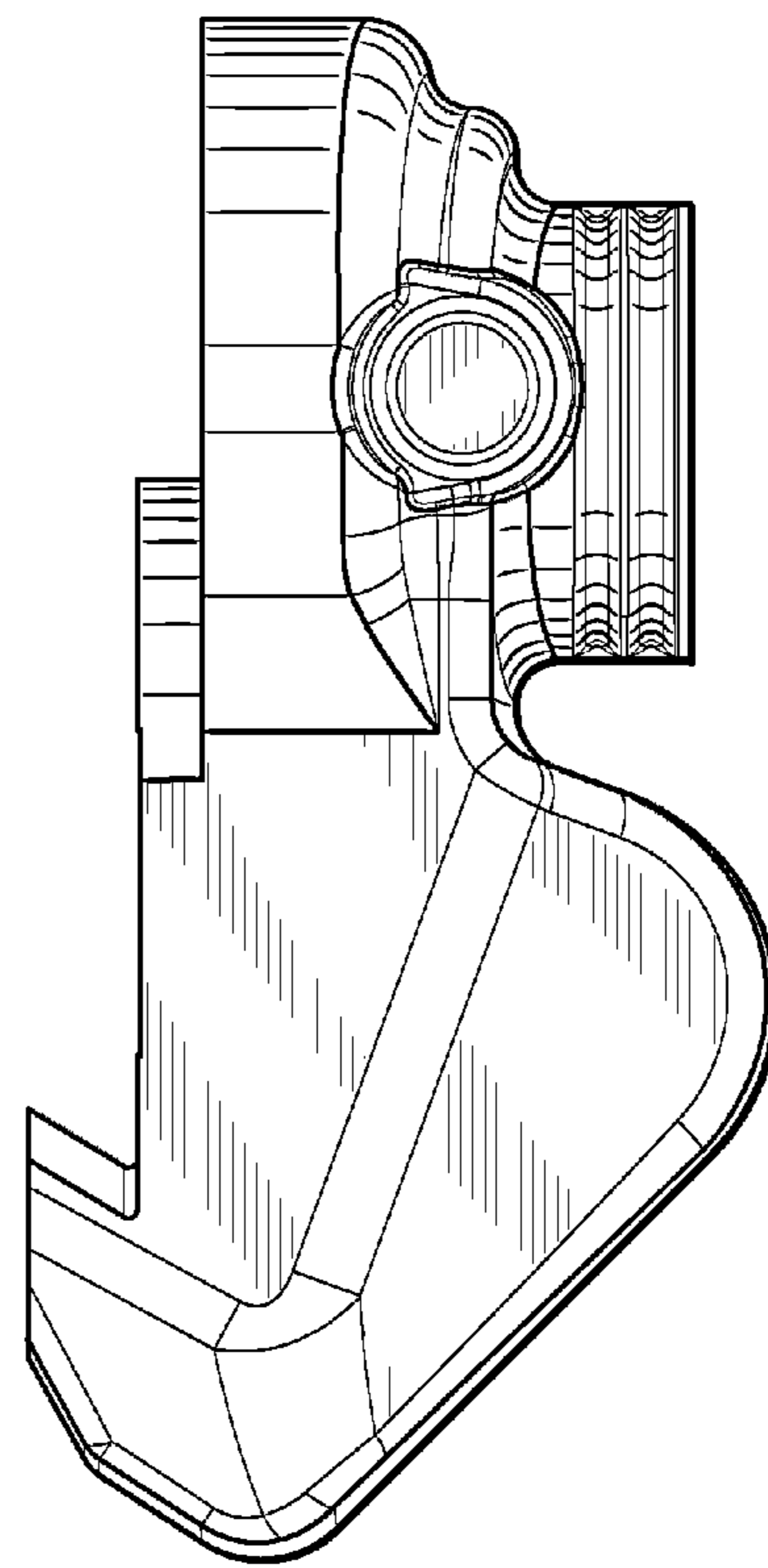


FIG. 4

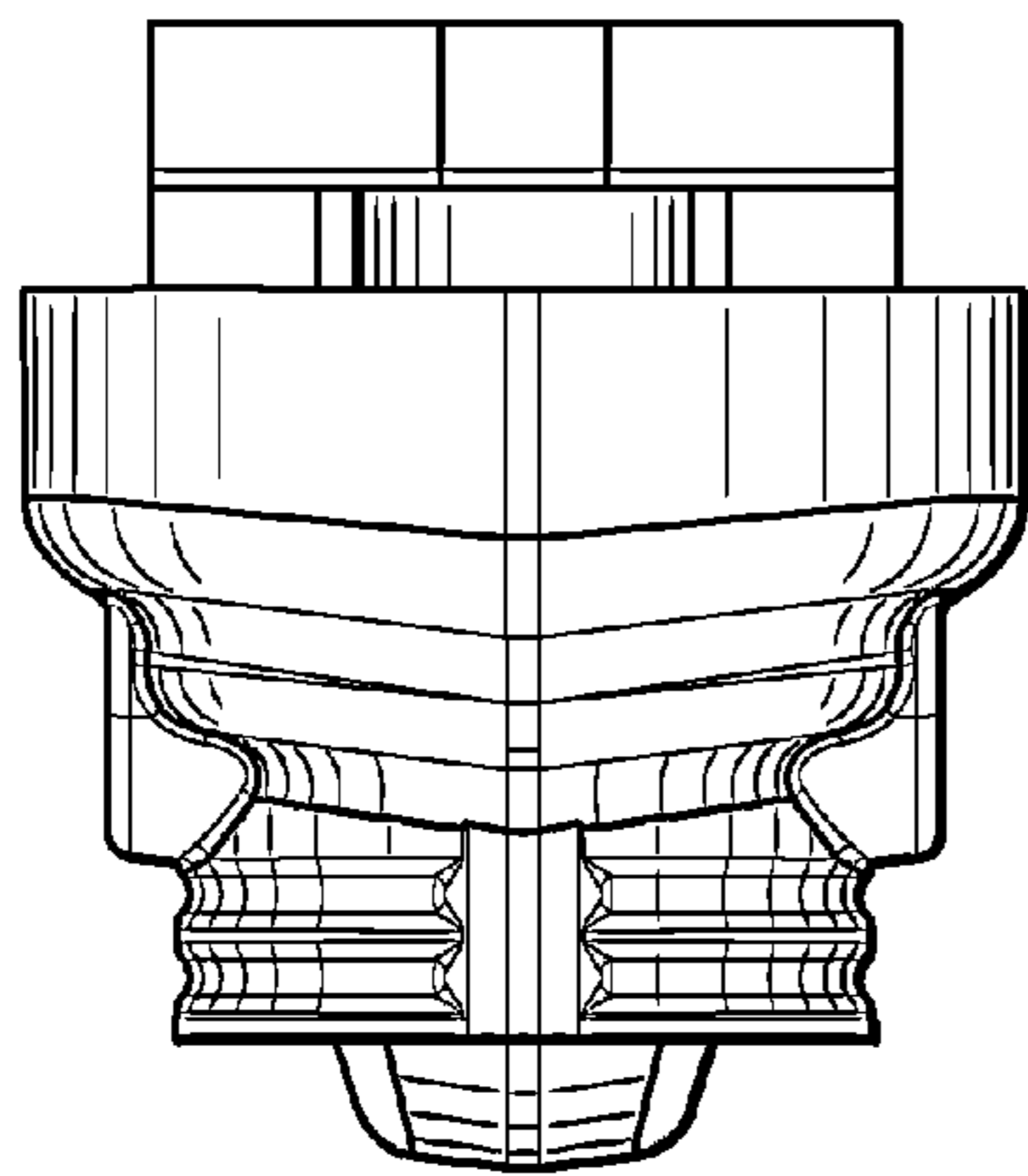


FIG. 5

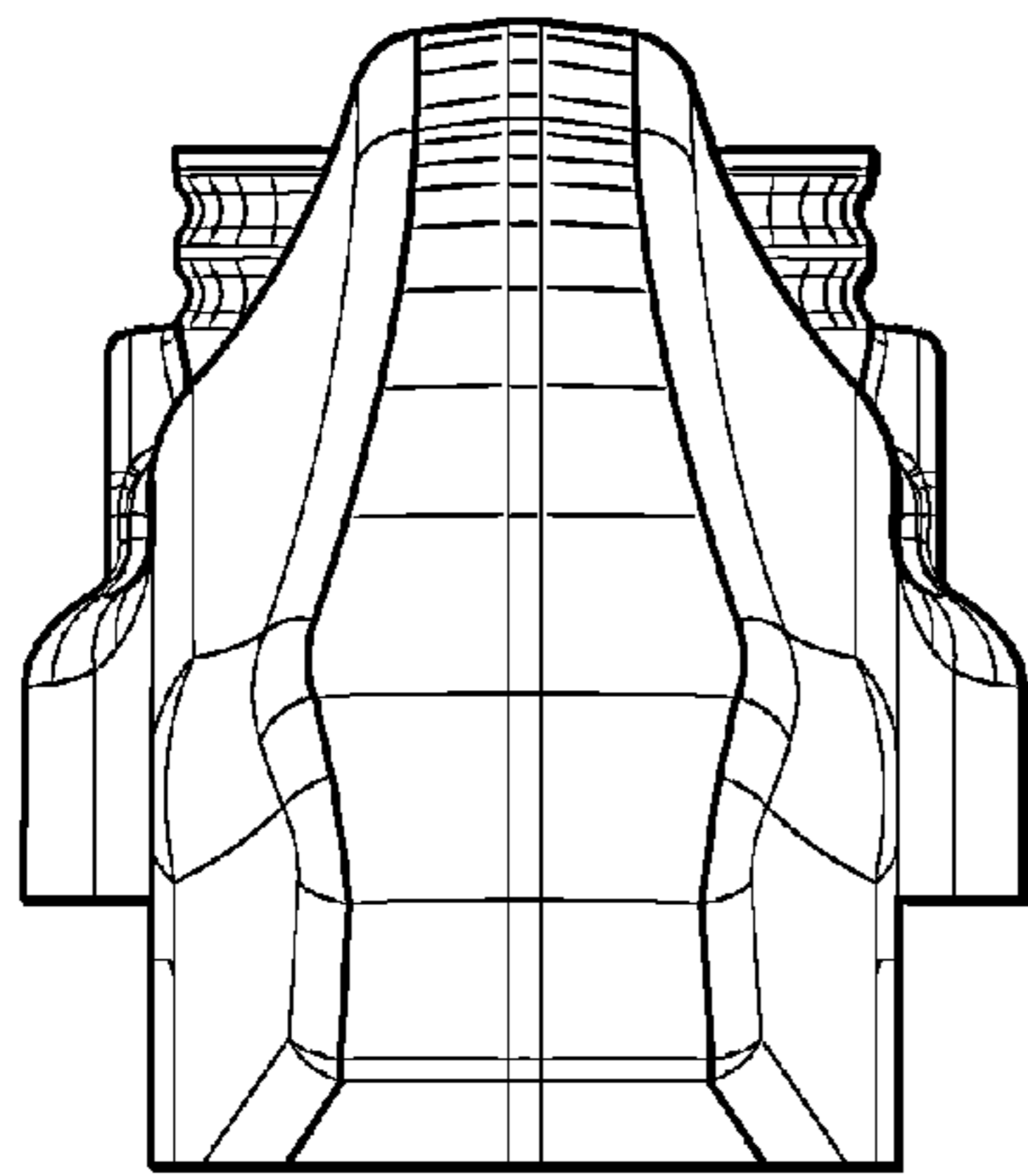


FIG. 7

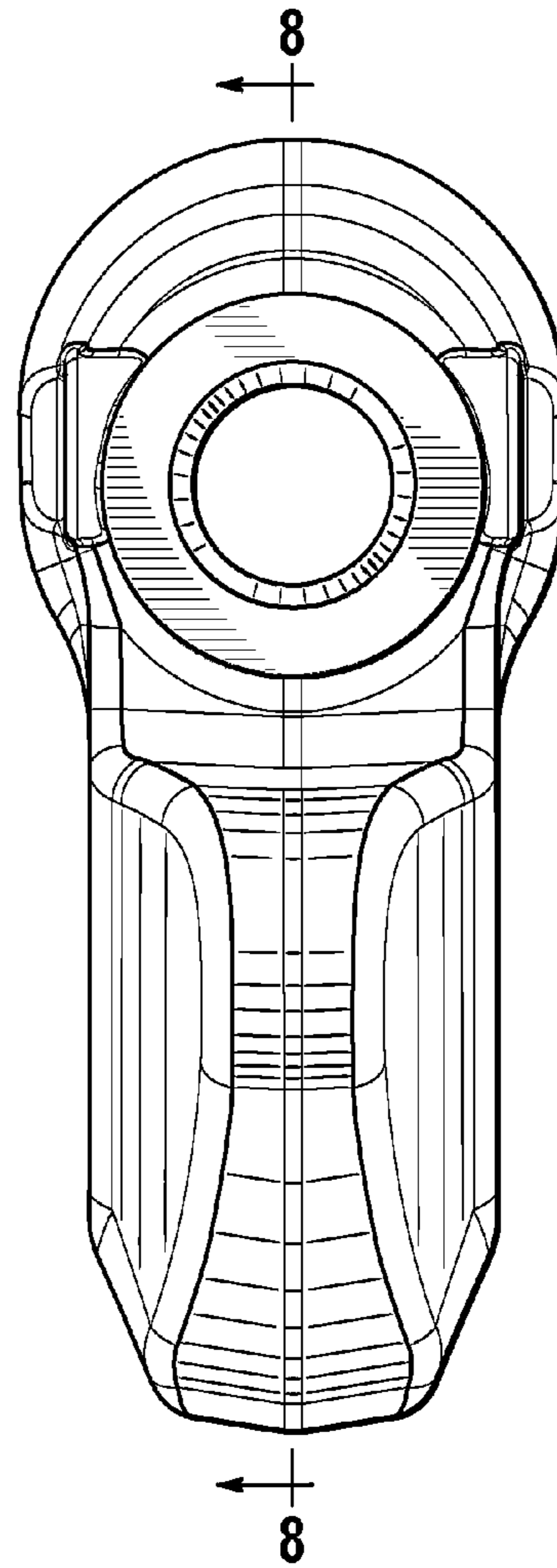


FIG. 6

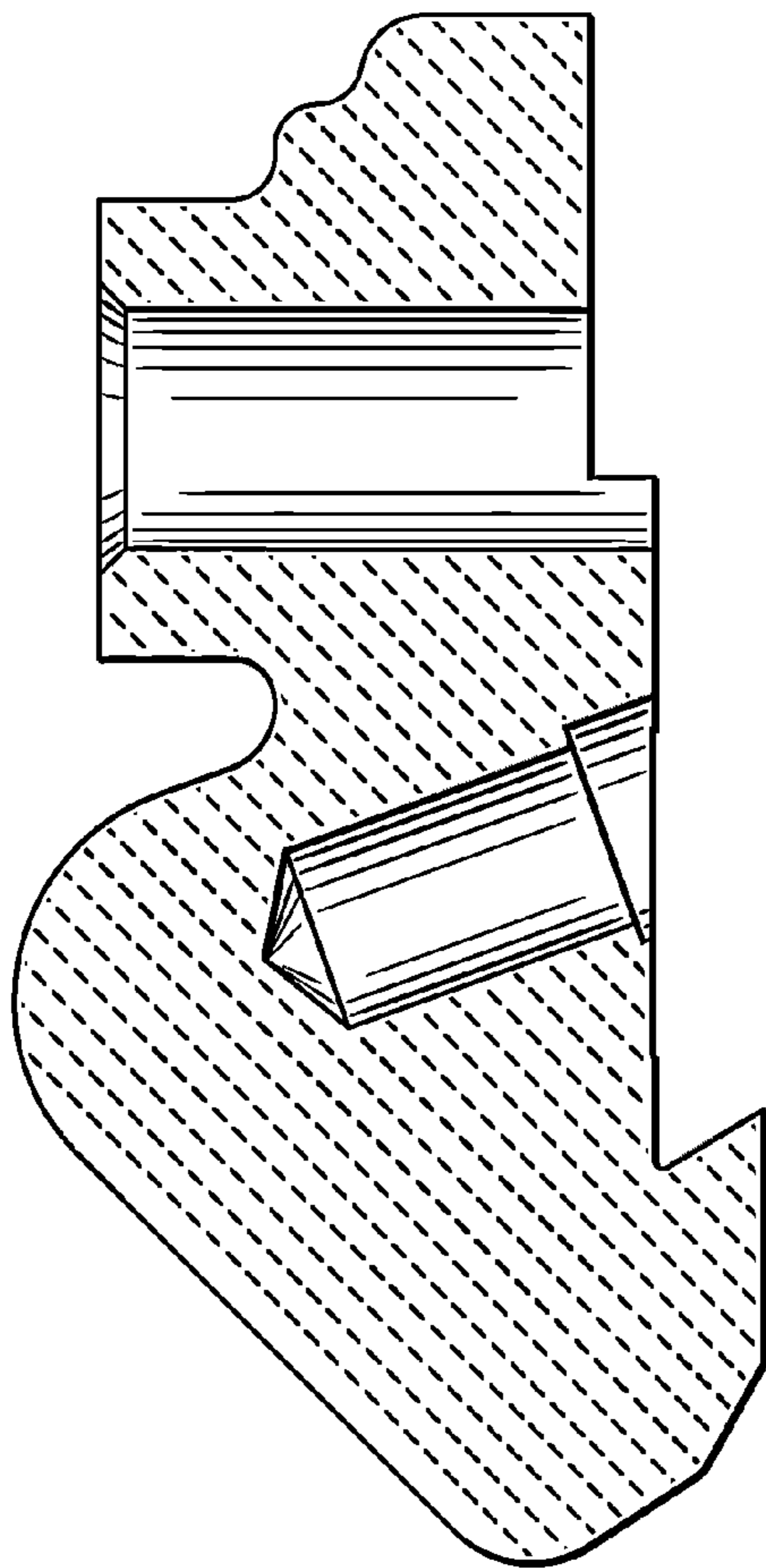


FIG. 8

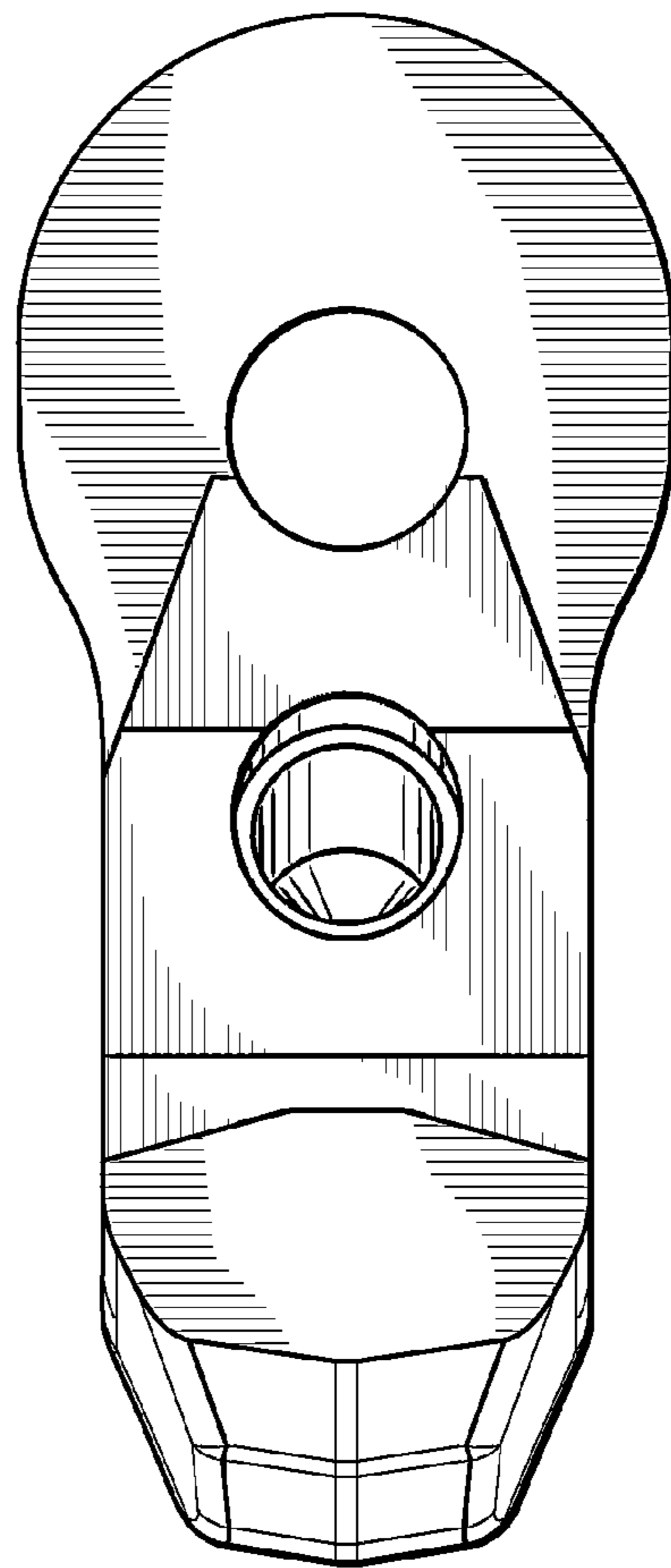


FIG. 9