



US00D693389S

(12) **United States Design Patent**  
**Koehler**

(10) **Patent No.:** **US D693,389 S**

(45) **Date of Patent:** **\*\* Nov. 12, 2013**

(54) **CLAMPING CYLINDER**

(75) Inventor: **Benedikt Koehler**, Emmingen-Liptingen (DE)

(73) Assignee: **Karl Storz GmbH & Co. KG** (DE)

(\*\*) Term: **14 Years**

(21) Appl. No.: **29/391,995**

(22) Filed: **May 16, 2011**

(30) **Foreign Application Priority Data**

Nov. 15, 2010 (EM) ..... 001781360-0012

(51) **LOC (9) Cl.** ..... **15-09**

(52) **U.S. Cl.**  
USPC ..... **D15/138**

(58) **Field of Classification Search**  
USPC ..... D15/1-5, 138; 123/41.6, 41.61, 416,  
123/193.1; 180/60, 65.1  
See application file for complete search history.

(56) **References Cited**

**U.S. PATENT DOCUMENTS**

D285,171 S *	8/1986	Russell	.....	D8/396
D312,390 S *	11/1990	Clement	.....	D10/109.1
D329,891 S *	9/1992	Sievers	.....	D23/262
6,257,122 B1 *	7/2001	Michler et al.	.....	92/86
6,354,206 B1 *	3/2002	Heiler et al.	.....	101/415.1
6,427,992 B1 *	8/2002	Noda et al.	.....	269/24

7,425,000 B2 *	9/2008	Stark	.....	269/309
7,520,495 B2 *	4/2009	Stark	.....	269/309
D610,900 S *	3/2010	Piermayr et al.	.....	D8/394
7,748,690 B2 *	7/2010	Stark	.....	269/309
D638,698 S *	5/2011	Sprinkmann et al.	.....	D8/397
2005/0206061 A1 *	9/2005	Etter	.....	269/309
2007/0063403 A1 *	3/2007	Stark	.....	269/309

\* cited by examiner

*Primary Examiner* — Patricia Palasik

(74) *Attorney, Agent, or Firm* — St. Onge Steward Johnston & Reens LLC

(57) **CLAIM**

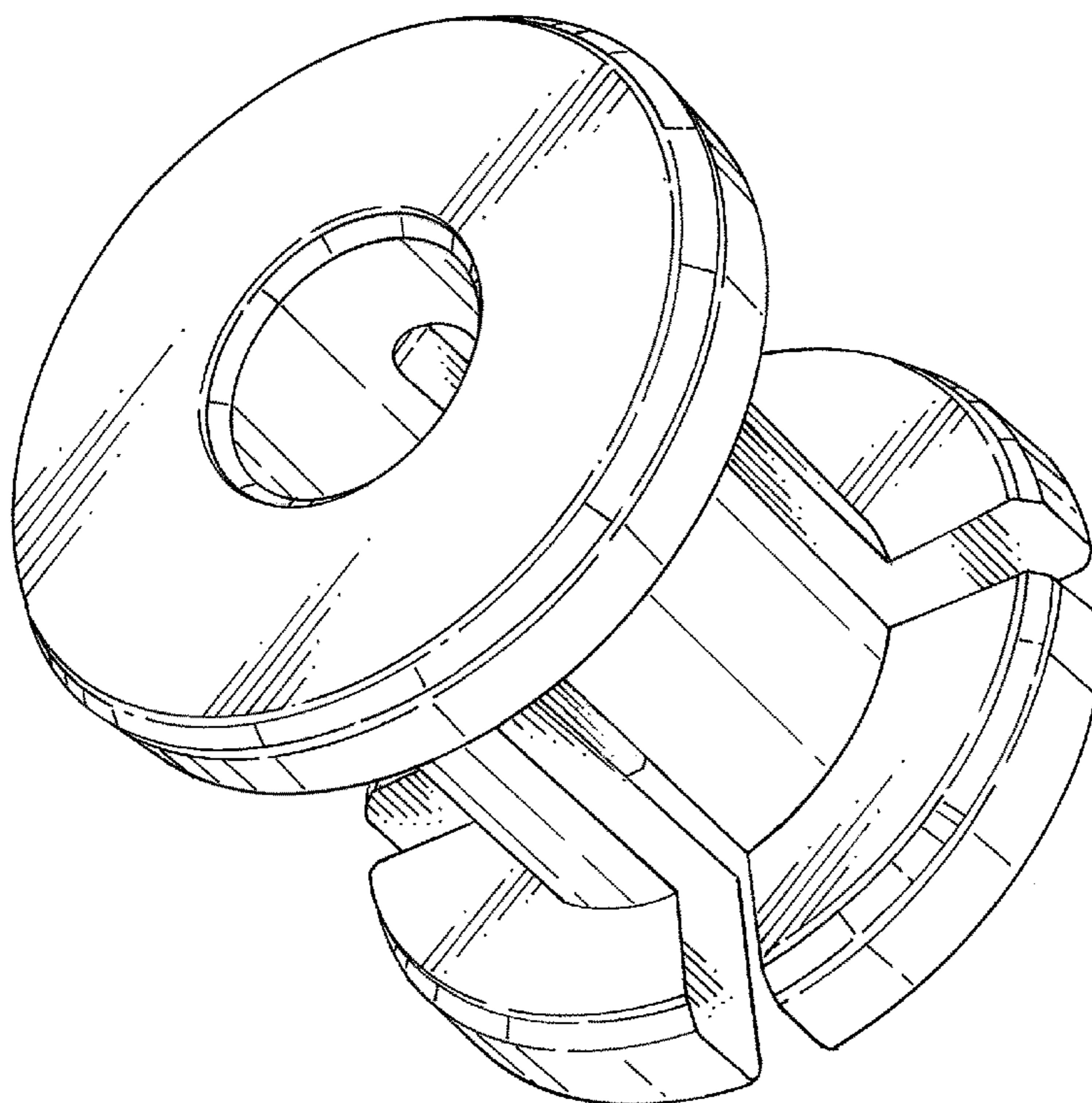
The ornamental design for a clamping cylinder, as shown and described.

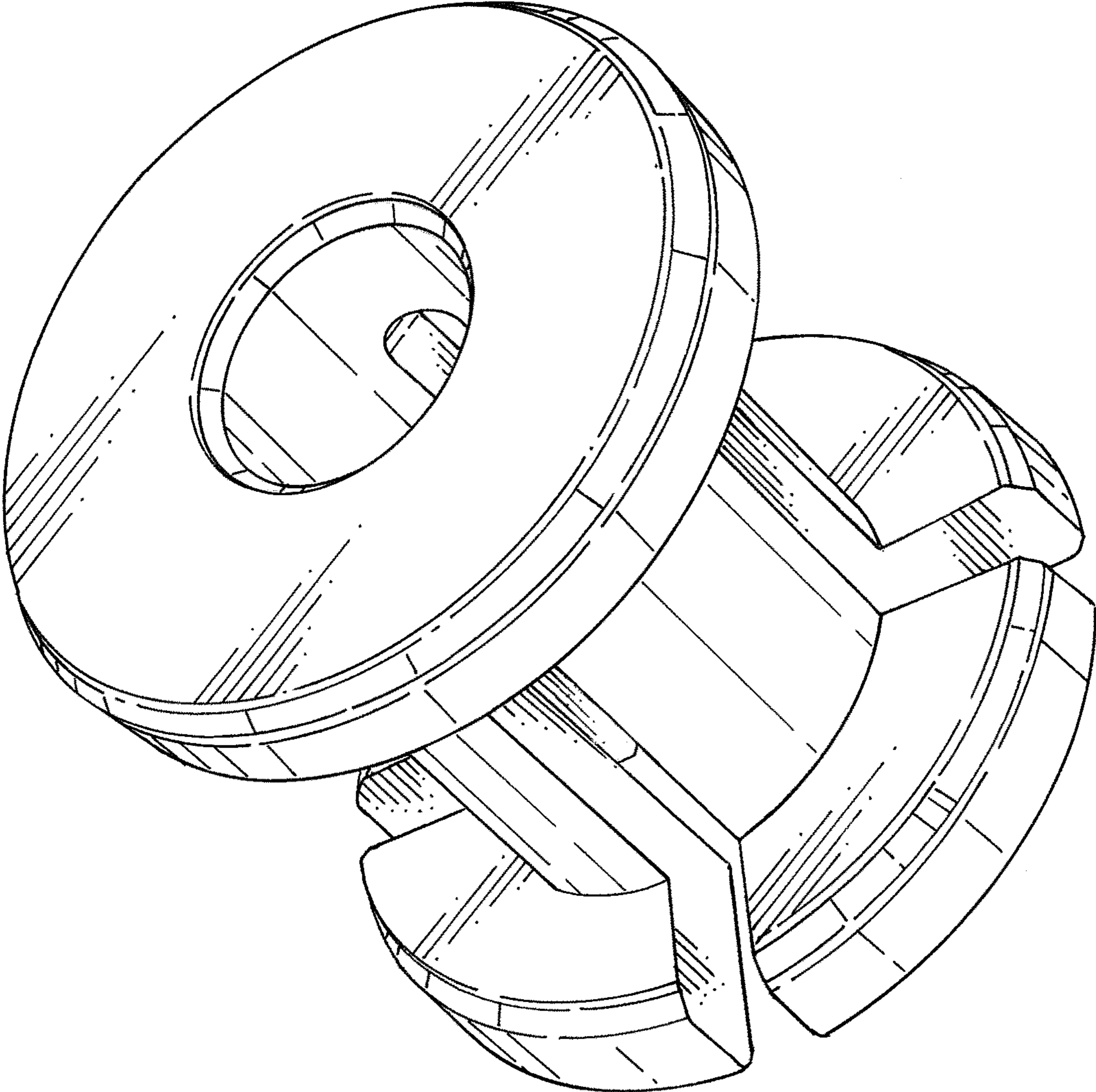
**DESCRIPTION**

FIG. 1 is a front left side isometric view of a clamping cylinder in accordance with the new design;  
FIG. 2 is a left side isometric view thereof, a right side isometric view being a mirror image thereof;  
FIG. 3 is a left side bottom isometric view thereof;  
FIG. 4 is a right side top view thereof;  
FIG. 5 is a front isometric view thereof; and,  
FIG. 6 is a rear isometric view thereof.

The broken lines shown in FIGS. 5 and 6 are directed to portions of the clamping cylinder that depict unclaimed environmental subject matter.

**1 Claim, 6 Drawing Sheets**





*FIG. 1*

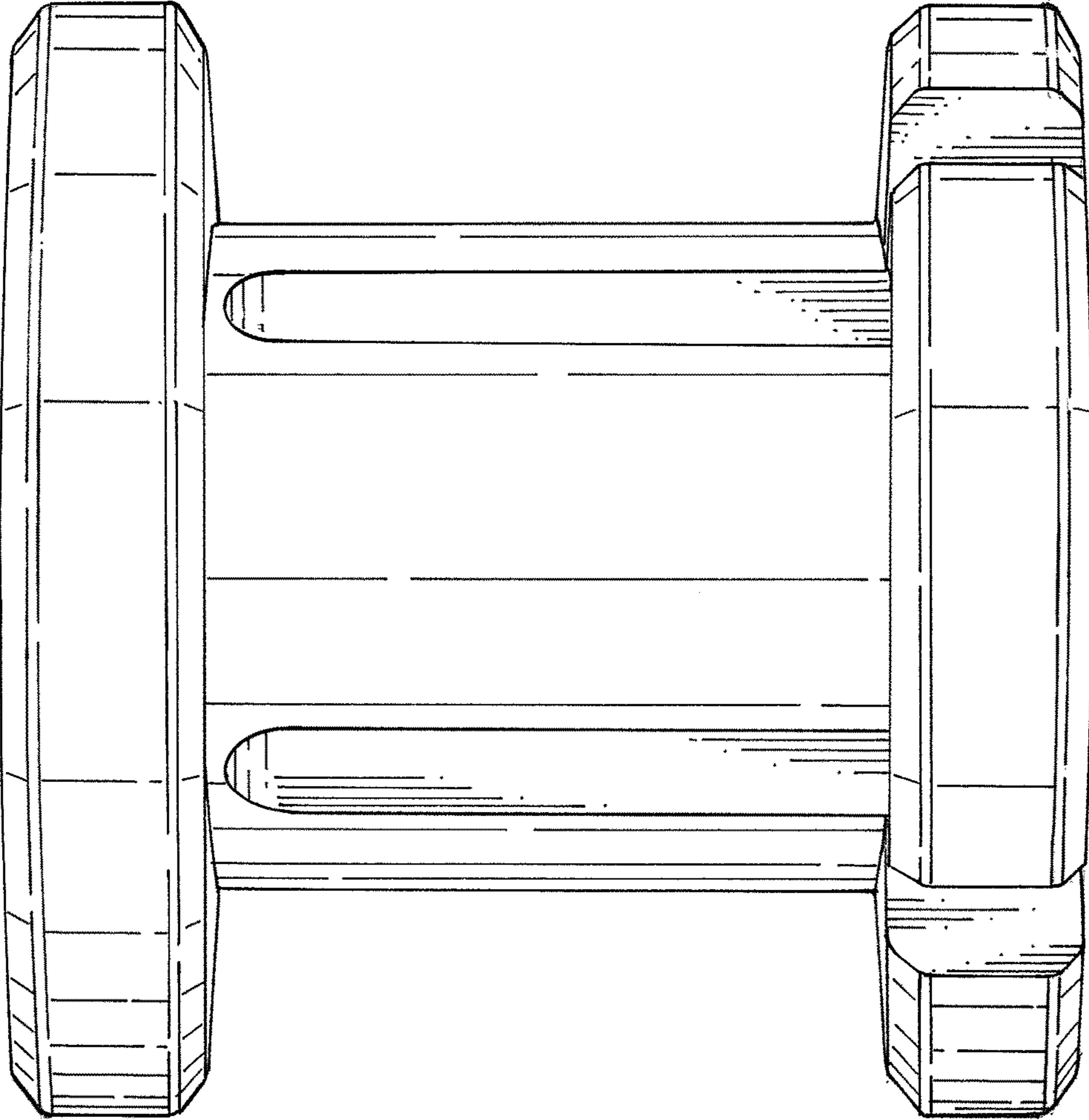
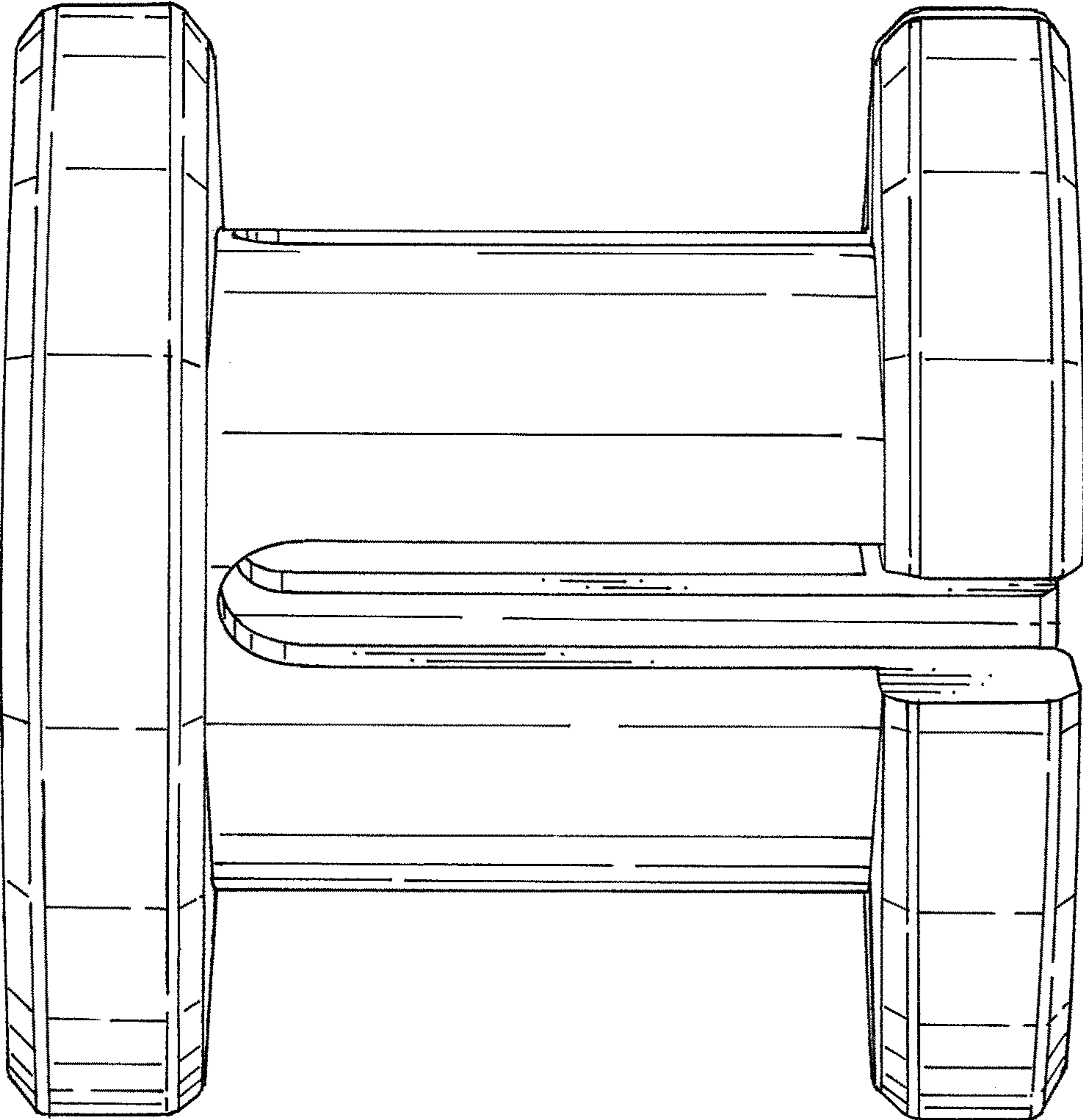
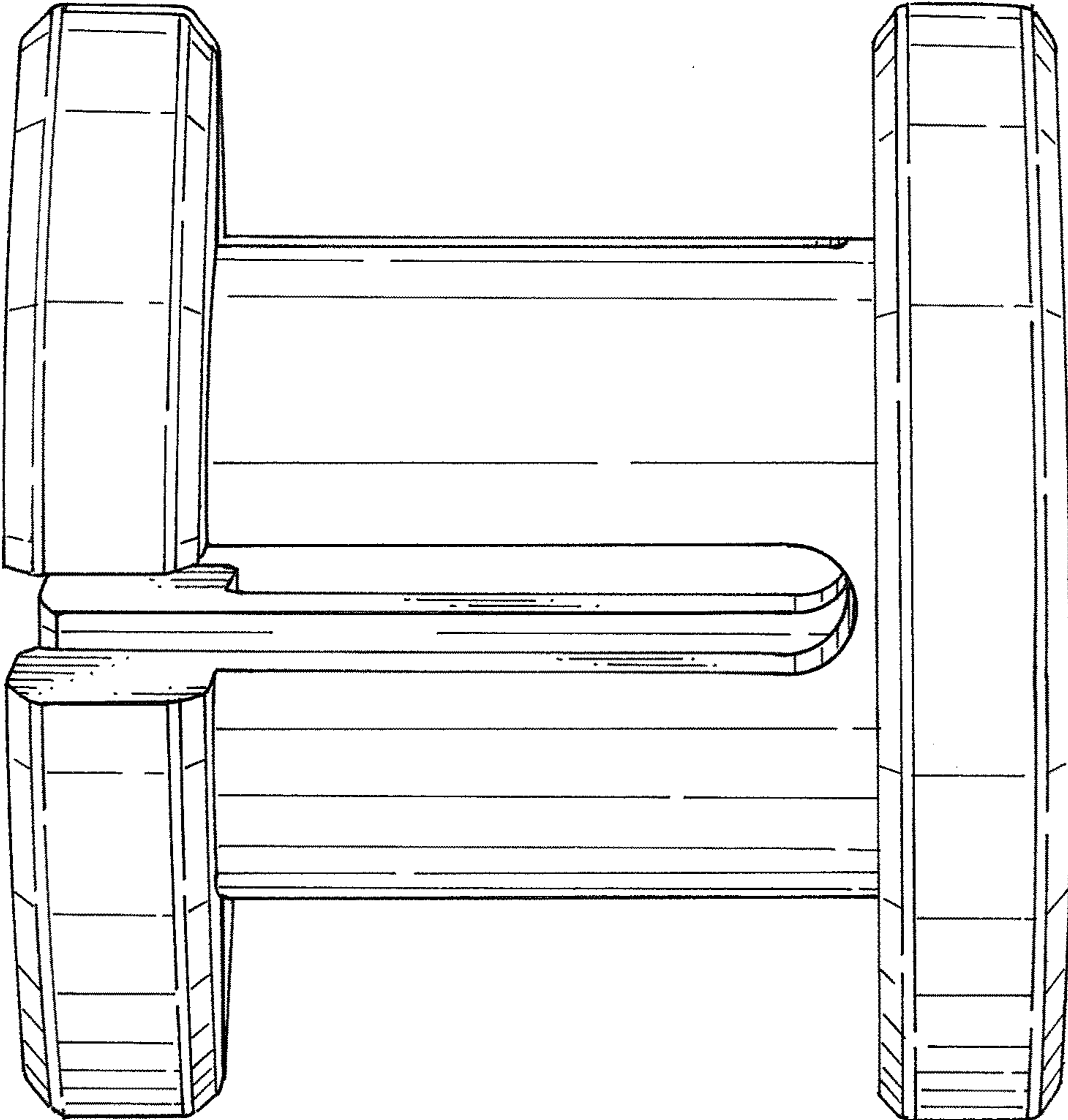


FIG. 2



*FIG. 3*



*FIG. 4*

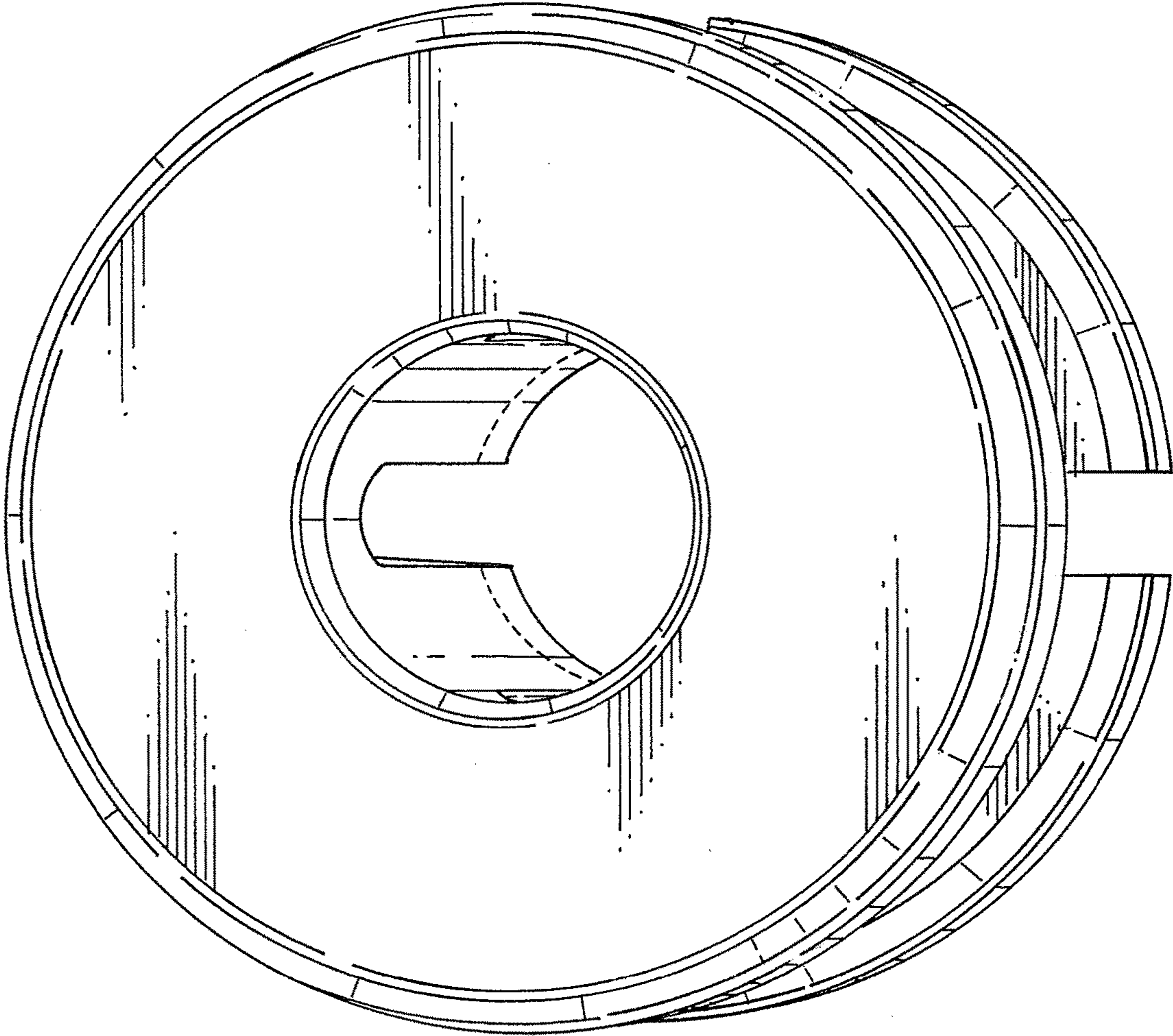


FIG. 5

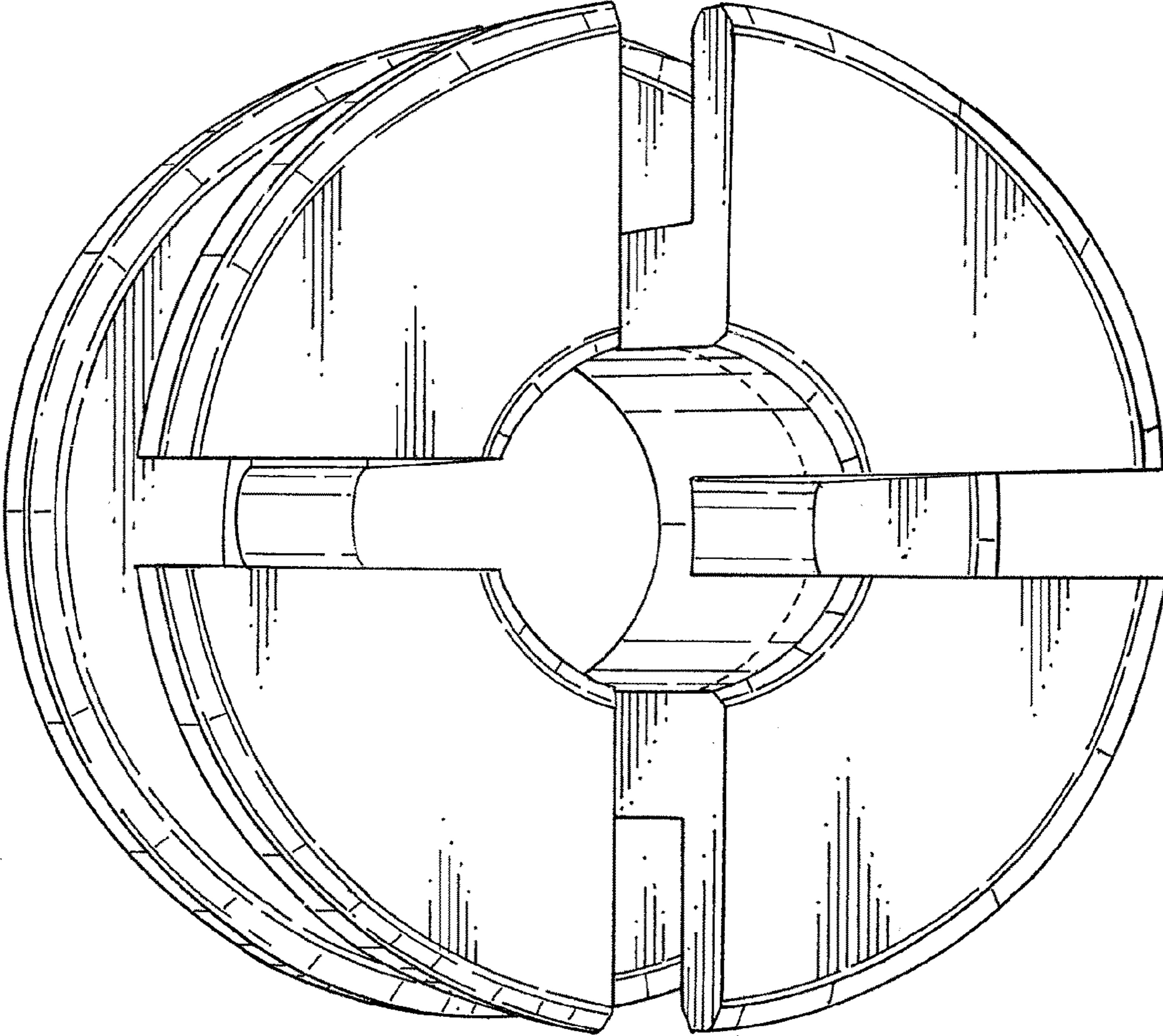


FIG. 6