



US00D693384S

(12) **United States Design Patent**  
**Meier**

(10) **Patent No.:** **US D693,384 S**

(45) **Date of Patent:** **\*\* Nov. 12, 2013**

(54) **COMPACTOR TOOL AND HOLDER**

(71) Applicant: **Hamm AG**, Tirschenreuth (DE)

(72) Inventor: **Matthias Meier**, Tirschenreuth (DE)

(73) Assignee: **Hamm AG**, Tirschenreuth (DE)

(\*\*) Term: **14 Years**

(21) Appl. No.: **29/452,847**

(22) Filed: **Apr. 22, 2013**

(30) **Foreign Application Priority Data**

Nov. 23, 2012 (EM) ..... 001352380-0006

(51) **LOC (9) Cl.** ..... **15-09**

(52) **U.S. Cl.**  
USPC ..... **D15/123**

(58) **Field of Classification Search**  
USPC ..... D8/14, 16, 105; D15/20, 28, 29, 123,  
D15/124, 126, 131, 138, 199; 100/902;  
241/73, 74, 189.1, 193-197, 294, 300;  
404/133.05, 133.1, 133.2; 405/129,  
405/131, 271  
See application file for complete search history.

(56) **References Cited**

**U.S. PATENT DOCUMENTS**

2,721,707 A \* 10/1955 Reinhardt ..... 241/197  
3,099,191 A 7/1963 Averette  
3,988,978 A \* 11/1976 Flick ..... 100/35  
4,208,960 A \* 6/1980 Leitgeb ..... 100/35  
4,682,539 A \* 7/1987 Bramblett et al. .... 100/265  
4,919,566 A 4/1990 Caron et al.

5,176,072 A \* 1/1993 Larson ..... 100/90  
D362,450 S \* 9/1995 Bajadali ..... D15/123  
5,954,282 A \* 9/1999 Britzke et al. .... 241/275  
D426,556 S \* 6/2000 Bradley et al. .... D15/123  
D429,741 S \* 8/2000 Warren ..... D15/123  
D457,537 S \* 5/2002 Bond ..... D15/123  
D476,018 S \* 6/2003 Hayashi et al. .... D15/28  
6,682,262 B2 1/2004 Caron et al.  
7,377,459 B2 \* 5/2008 Potts ..... 241/197  
D574,400 S \* 8/2008 Willibald ..... D15/123  
7,494,080 B2 \* 2/2009 Knotts ..... 241/197  
D637,633 S \* 5/2011 Young et al. .... D15/123  
2009/0114751 A1 \* 5/2009 Doppstadt et al. .... 241/197

**FOREIGN PATENT DOCUMENTS**

DE 1297042 6/1969

\* cited by examiner

*Primary Examiner* — Patricia Palasik

(74) *Attorney, Agent, or Firm* — Michael J. Brown

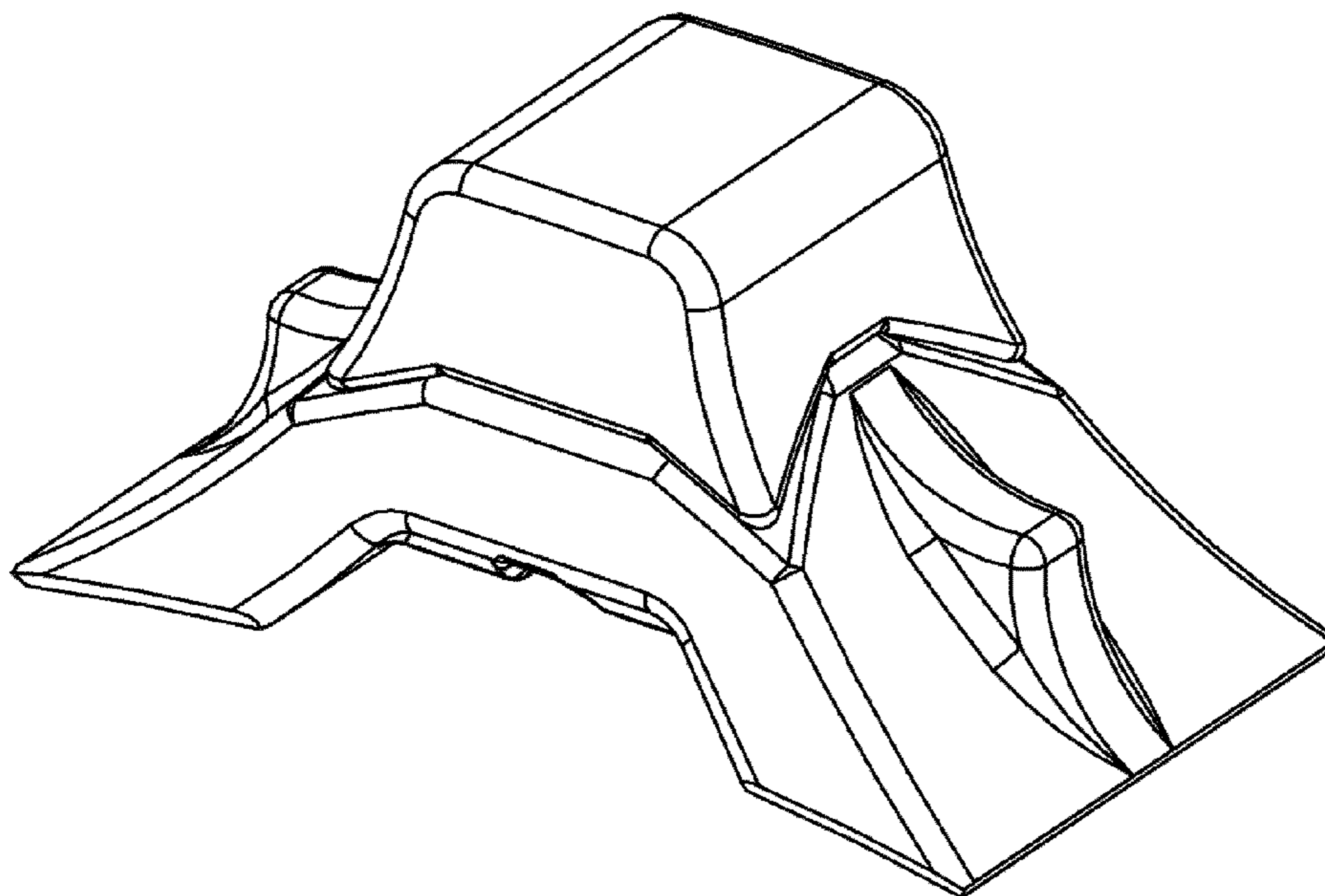
(57) **CLAIM**

The ornamental design for a compactor tool and holder, as shown and described.

**DESCRIPTION**

FIG. 1 is a front upper perspective view of the new ornamental compactor tool and holder of the present invention.  
FIG. 2 is a bottom perspective view thereof.  
FIG. 3 is a right side view thereof, the left side view being a mirror image of the right side view.  
FIG. 4 is a front view thereof, the rear view being a mirror image of the front view.  
FIG. 5 is a top view thereof; and,  
FIG. 6 is a bottom view thereof.

**1 Claim, 4 Drawing Sheets**



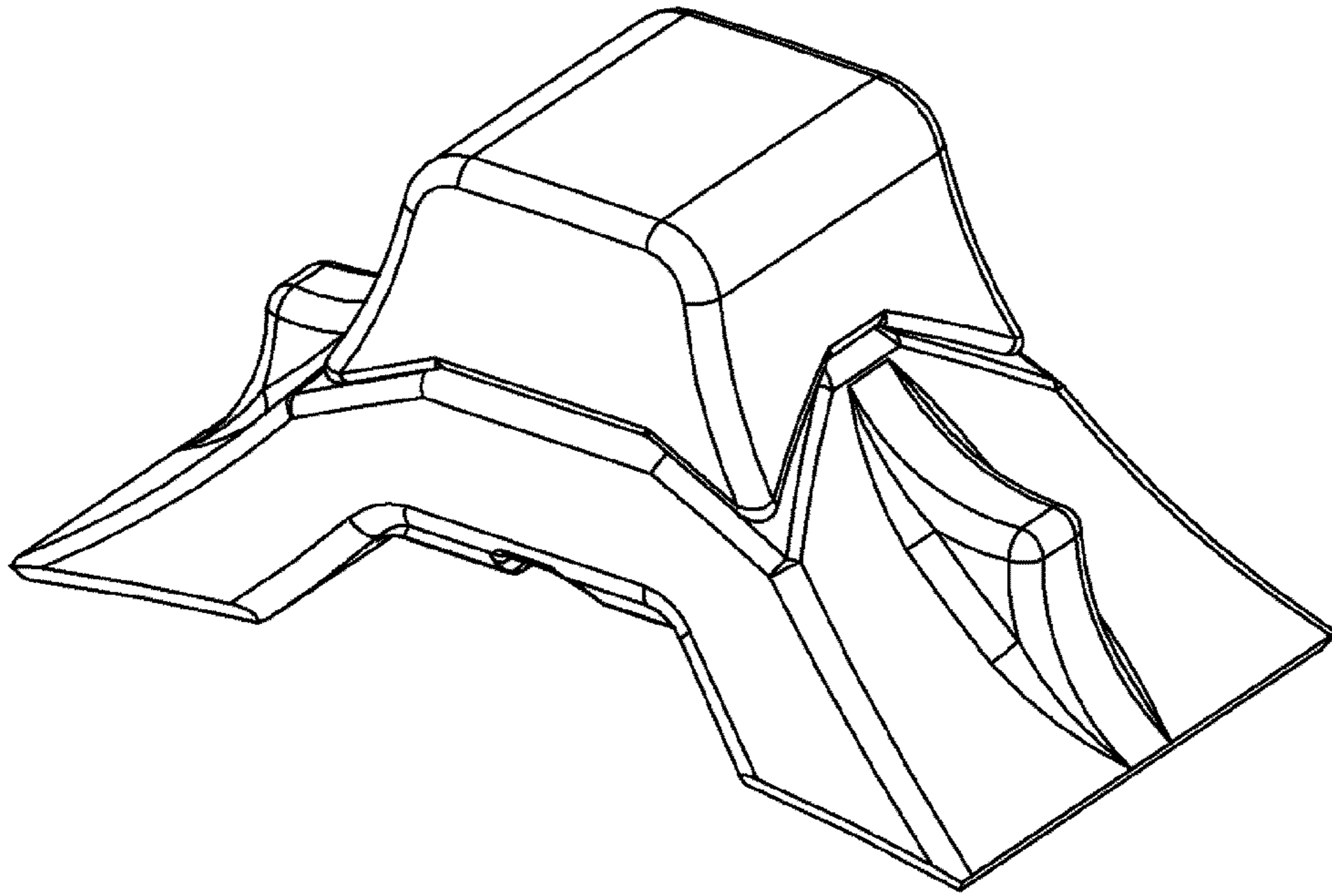


Fig. 1

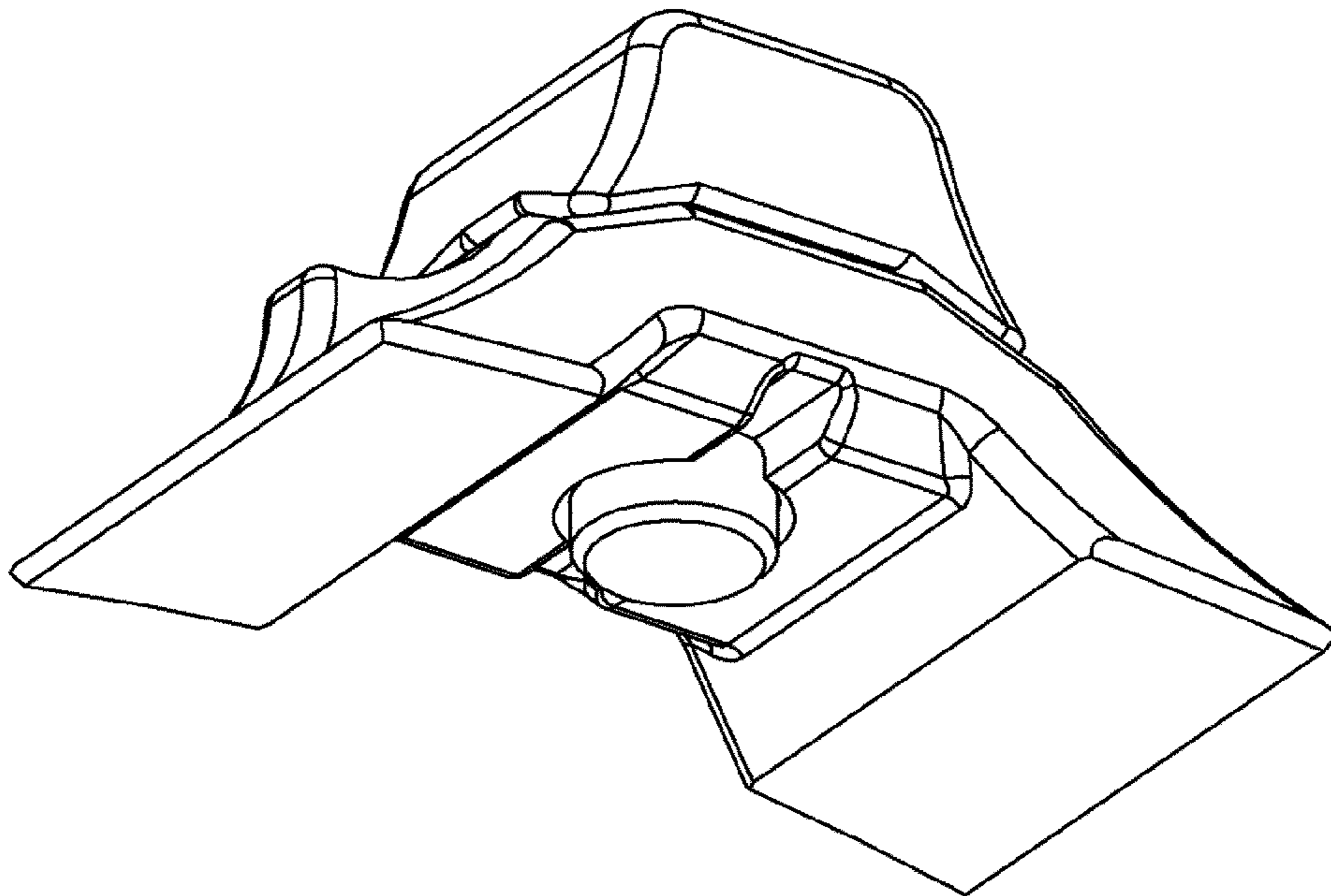


Fig. 2

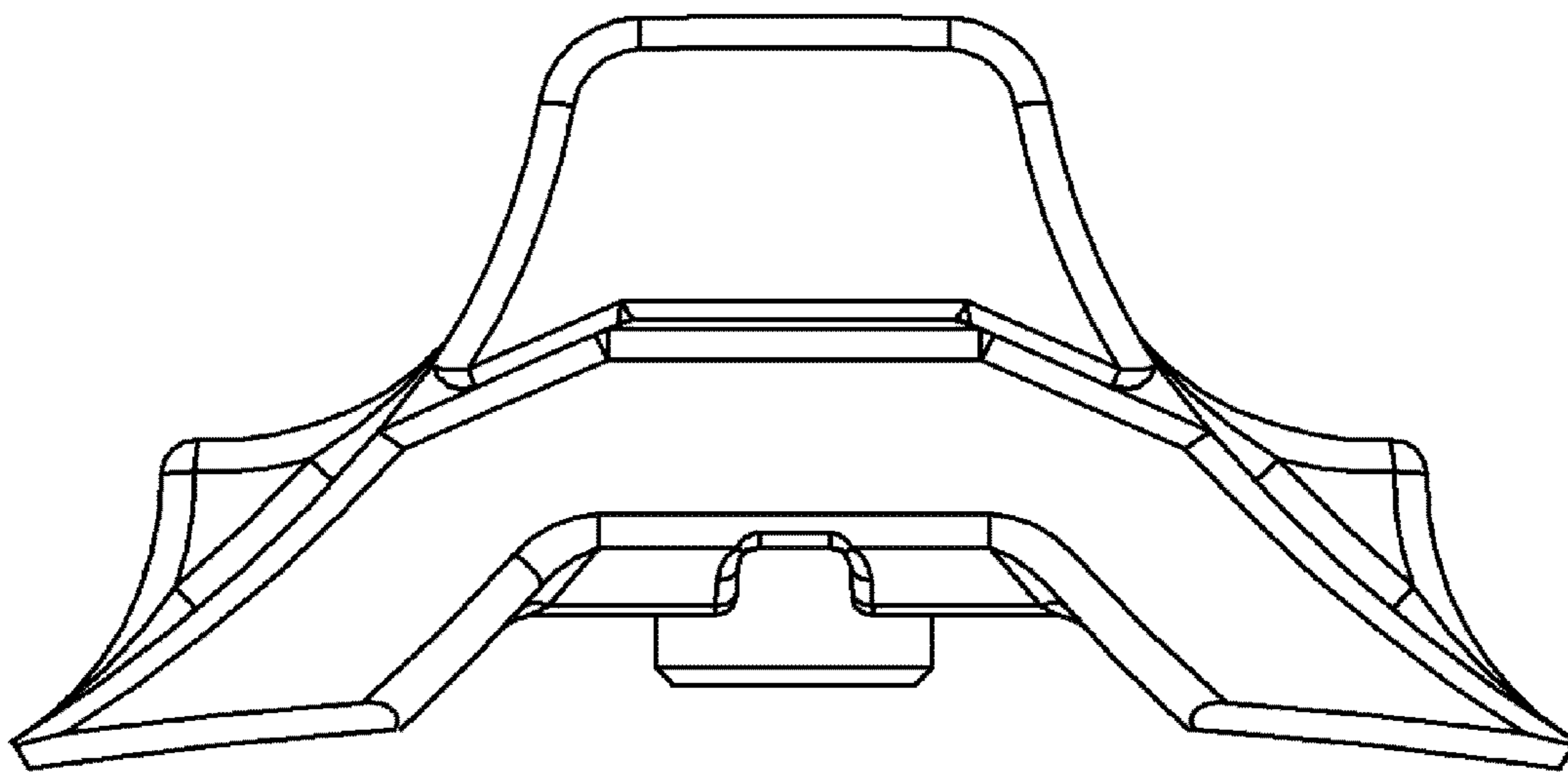


Fig. 3

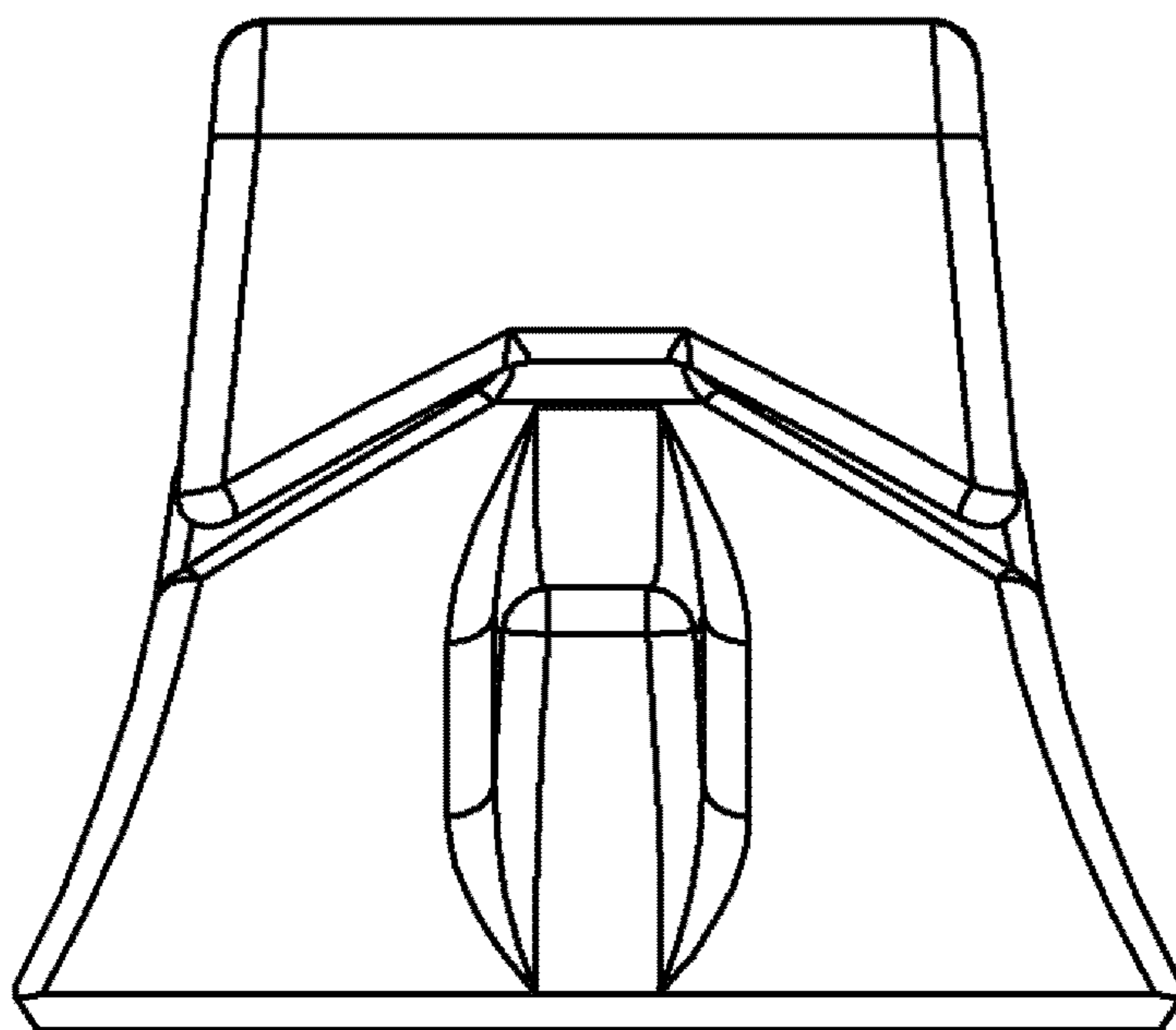


Fig. 4

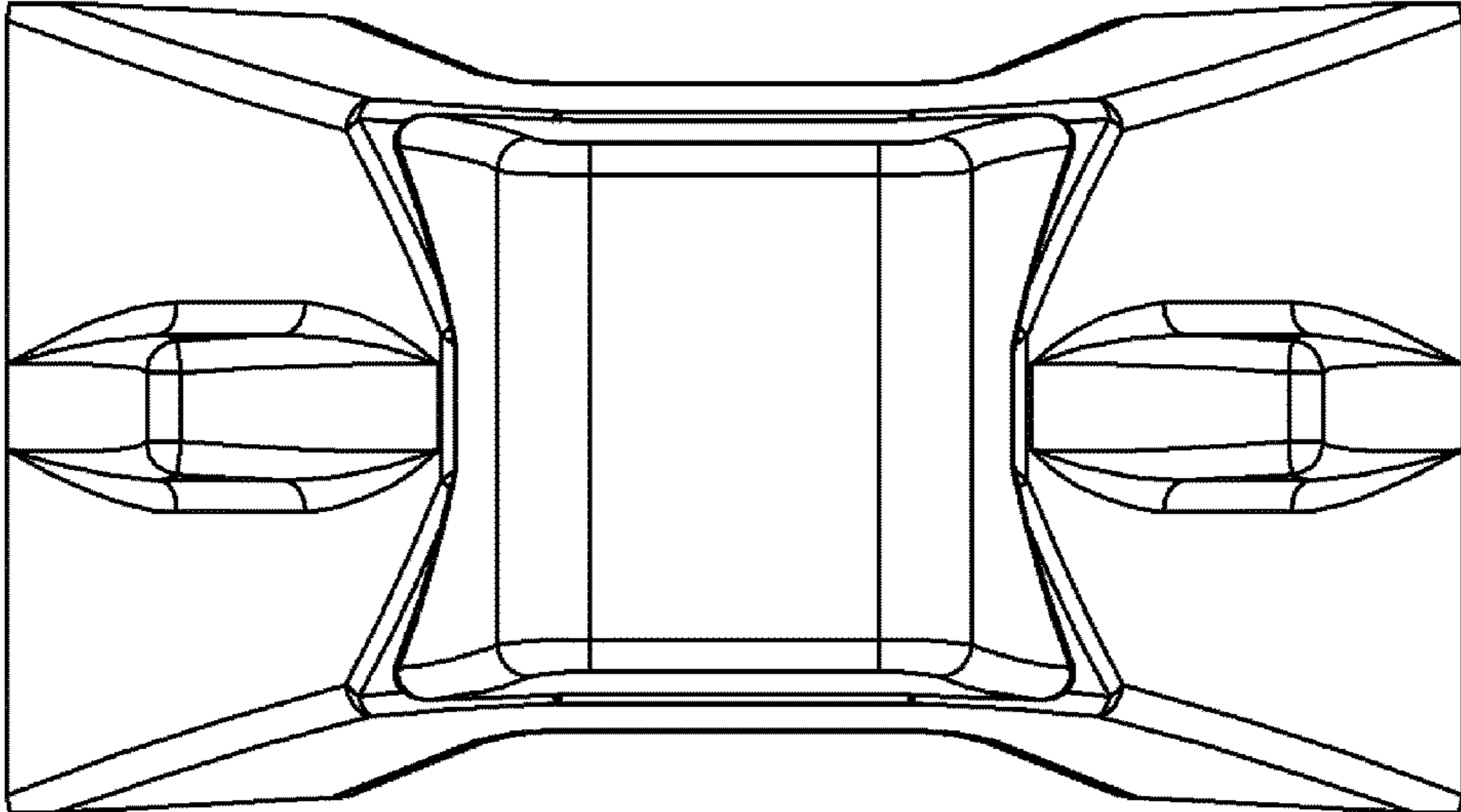


Fig. 5

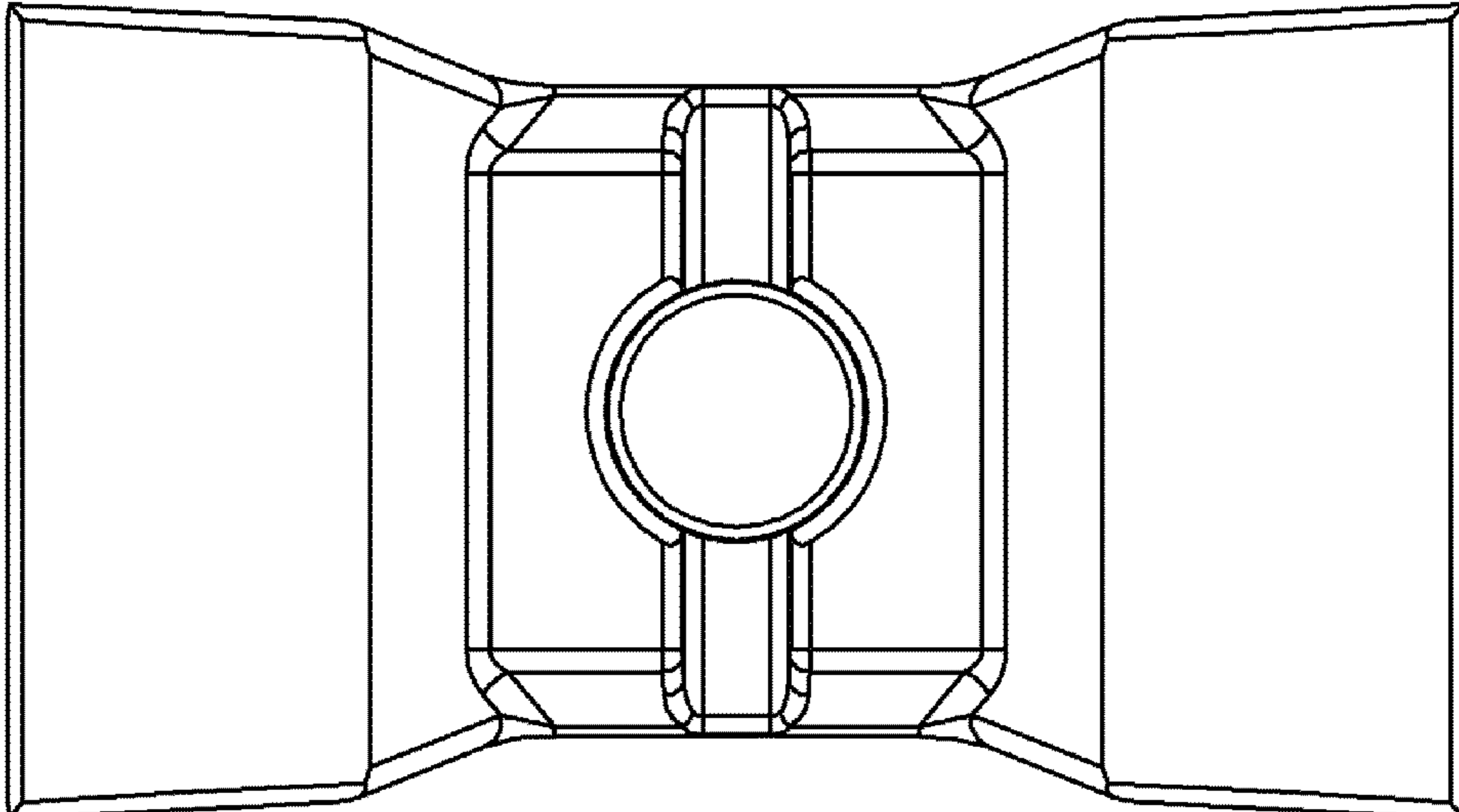


Fig. 6



UNITED STATES PATENT AND TRADEMARK OFFICE  
**CERTIFICATE OF CORRECTION**

PATENT NO. : D693,384 S  
APPLICATION NO. : 29/452847  
DATED : November 12, 2013  
INVENTOR(S) : Matthias Meier

Page 1 of 1

It is certified that error appears in the above-identified patent and that said Letters Patent is hereby corrected as shown below:

Title page, the priority application number, item [30], should be 001352389-0006.

Signed and Sealed this  
Eighteenth Day of March, 2014



Michelle K. Lee  
*Deputy Director of the United States Patent and Trademark Office*