



US00D693378S

(12) **United States Design Patent**
Yamamoto et al.

(10) **Patent No.:** **US D693,378 S**
(45) **Date of Patent:** **** Nov. 12, 2013**

(54) **SEWING MACHINE**

(75) Inventors: **Shigemi Yamamoto**, Tokyo (JP);
Shuichi Saito, Tama (JP)

(73) Assignee: **Juki Corporation**, Tokyo (JP)

(**) Term: **14 Years**

(21) Appl. No.: **29/426,654**

(22) Filed: **Jul. 9, 2012**

(51) **LOC (9) Cl.** **15-06**

(52) **U.S. Cl.**
USPC **D15/69**

(58) **Field of Classification Search**
USPC D15/66-76, 78; 112/217.1-217.4,
112/256-262.1

See application file for complete search history.

(56) **References Cited**

U.S. PATENT DOCUMENTS

2,561,643	A	*	7/1951	Adler	112/259
D215,368	S	*	9/1969	Zanuso et al.	D15/69
D232,265	S	*	7/1974	Laidig	D15/69
D298,330	S	*	11/1988	Kato et al.	D15/69
D353,148	S	*	12/1994	Kato et al.	D15/69

D418,524	S	*	1/2000	Kato et al.	D15/69
D467,945	S	*	12/2002	Mori et al.	D15/69
D669,101	S	*	10/2012	Wassermann et al.	D15/69

* cited by examiner

Primary Examiner — Mitchell Siegel

(74) *Attorney, Agent, or Firm* — Holtz, Holtz, Goodman & Chick, PC

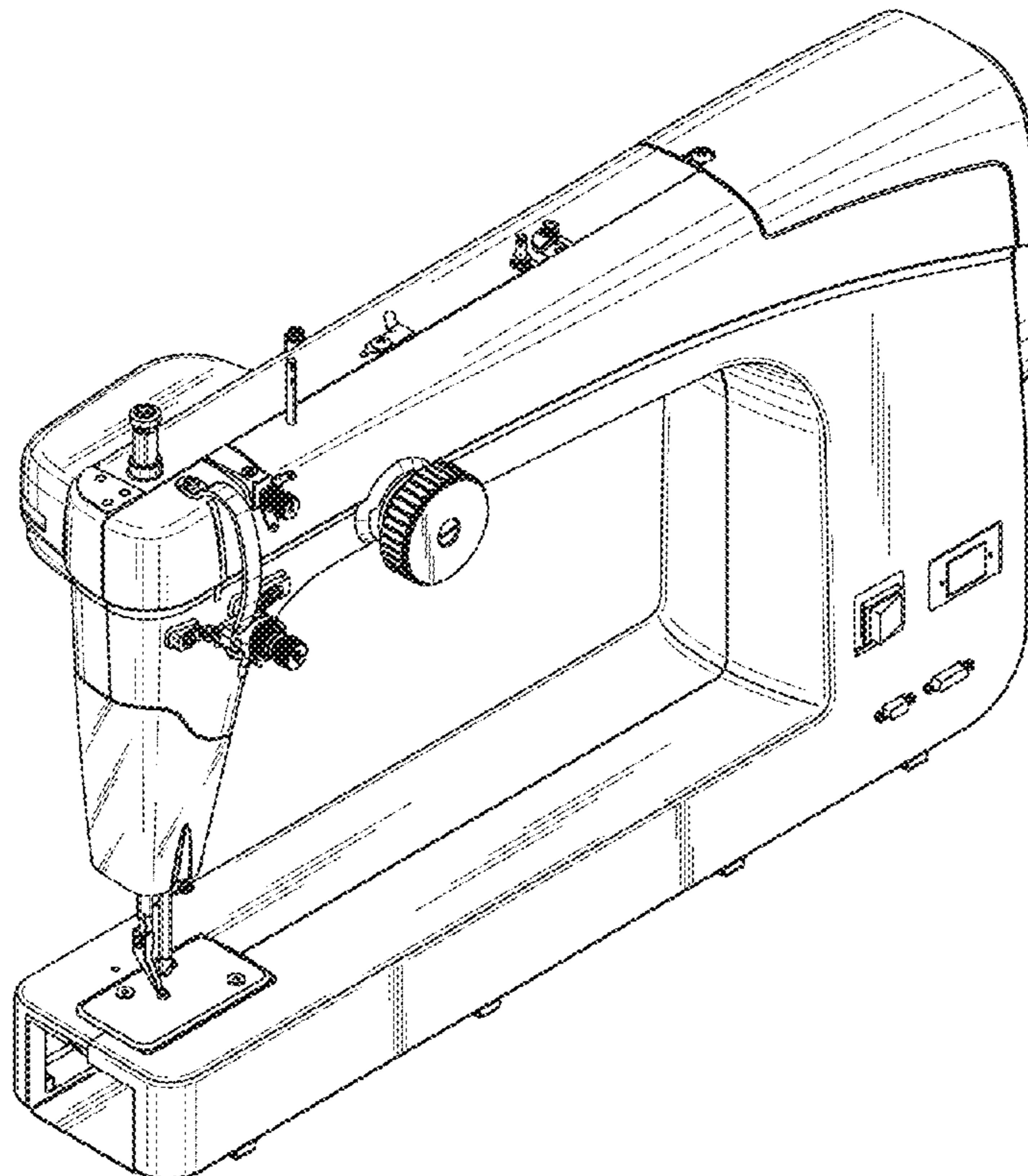
(57) **CLAIM**

The ornamental design for a sewing machine, as shown and described.

DESCRIPTION

FIG. 1 is a right side view of a sewing machine, showing our new design;
 FIG. 2 is a left side view thereof;
 FIG. 3 is a front elevational view thereof;
 FIG. 4 is a rear elevational view thereof;
 FIG. 5 is a top plan view thereof;
 FIG. 6 is a bottom plan view thereof; and,
 FIG. 7 is a front, top, right side perspective view thereof.
 The shading of the lower portion of the front housing member above the needle in FIGS. 1, 2, 3 and 7 indicates that said lower portion is translucent.

1 Claim, 7 Drawing Sheets



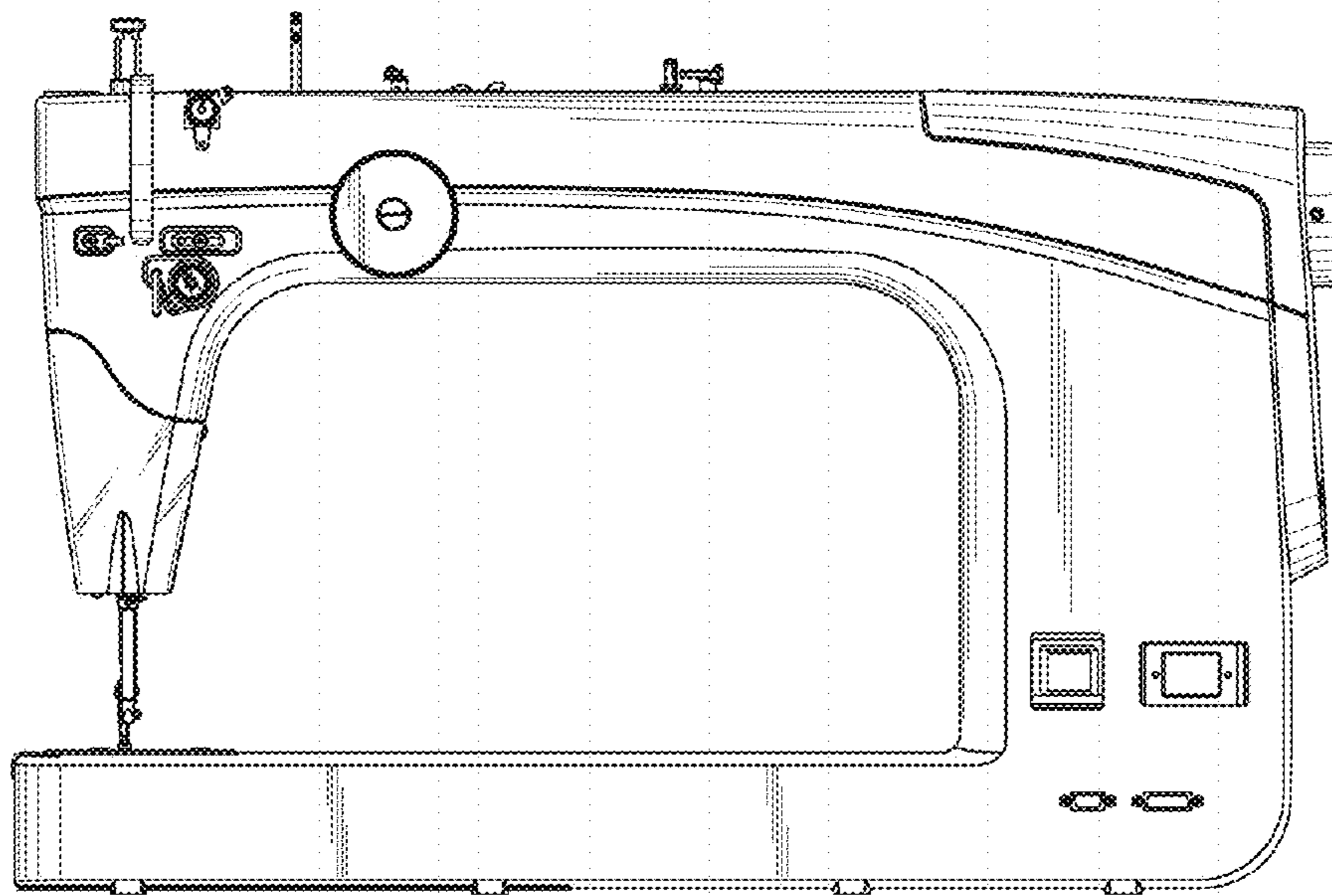


FIG. 1

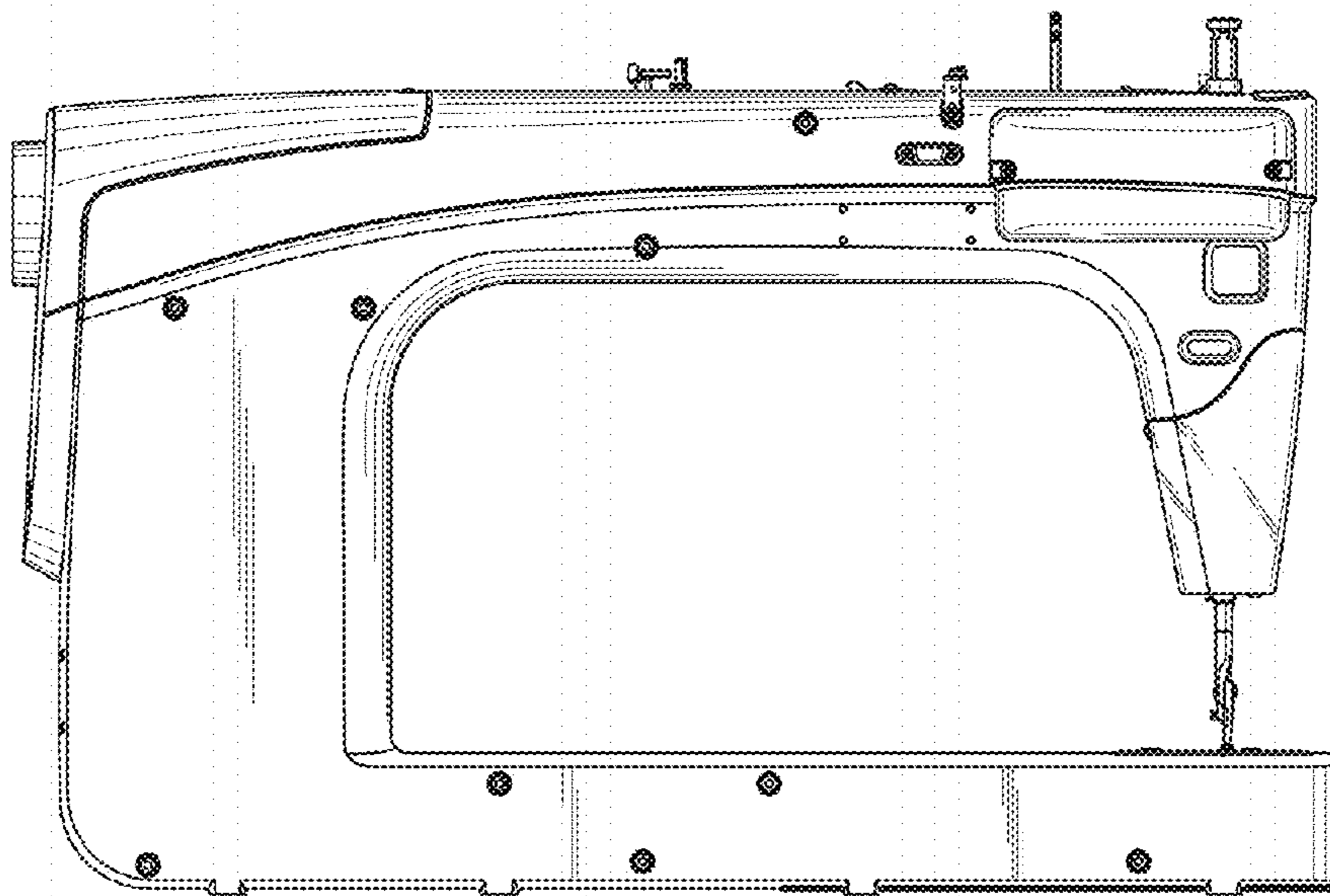


FIG. 2

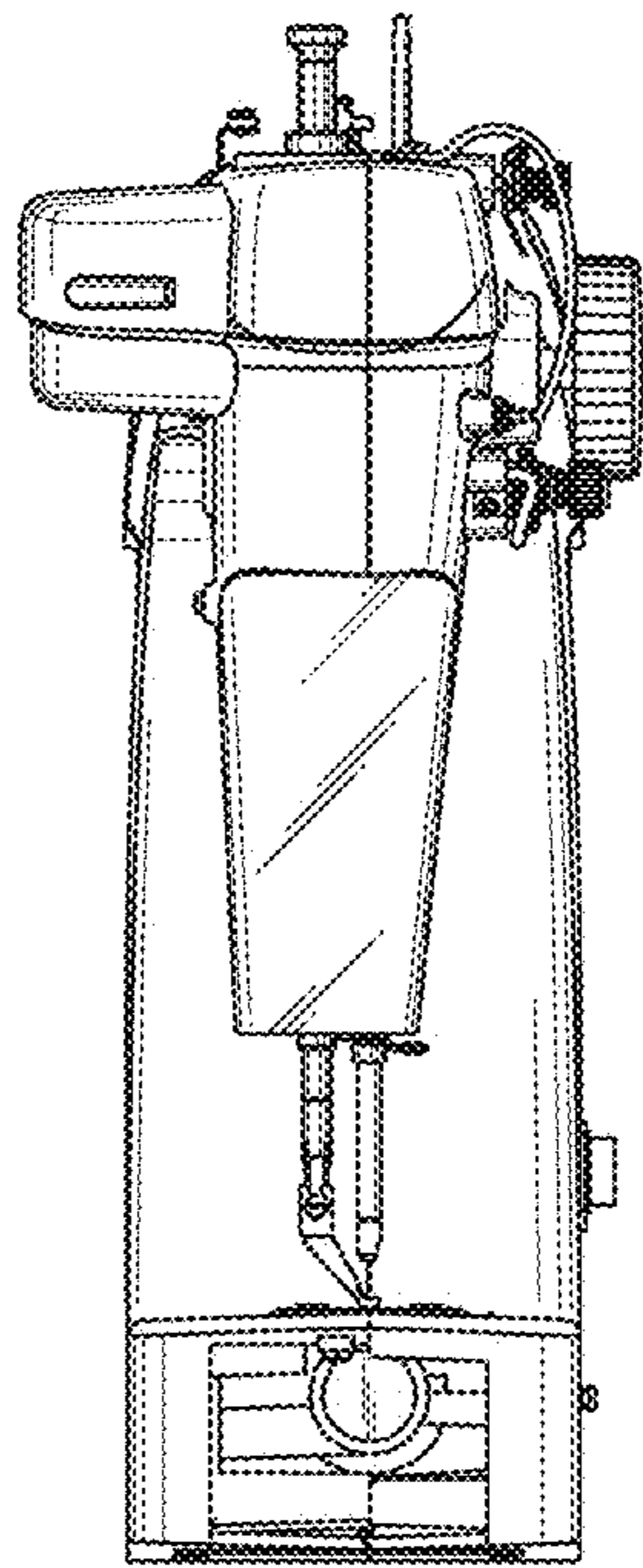


FIG. 3

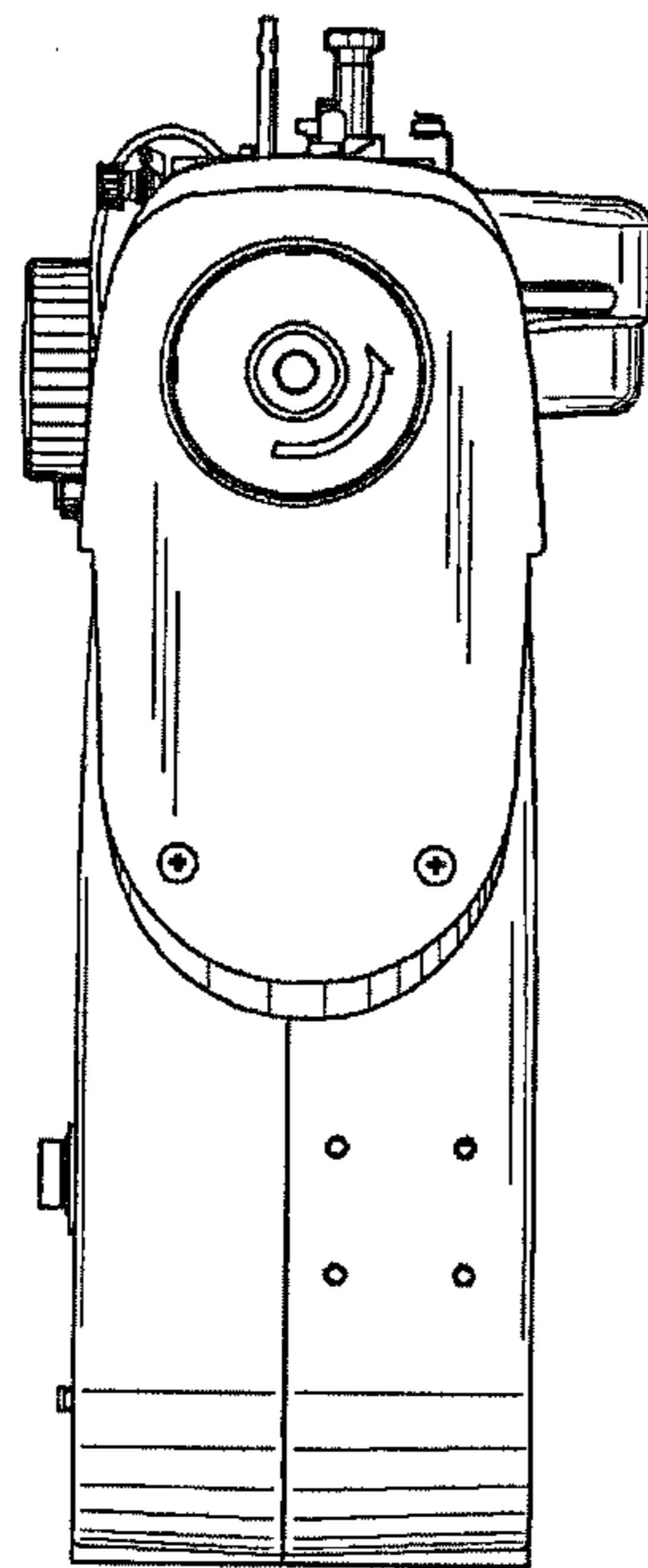


FIG. 4

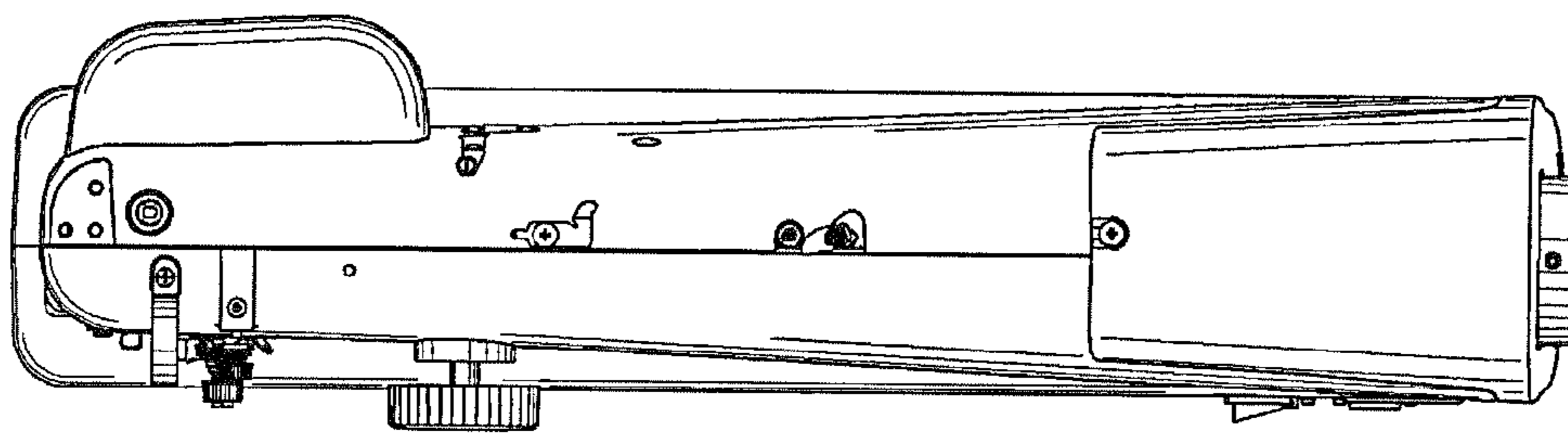


FIG. 5

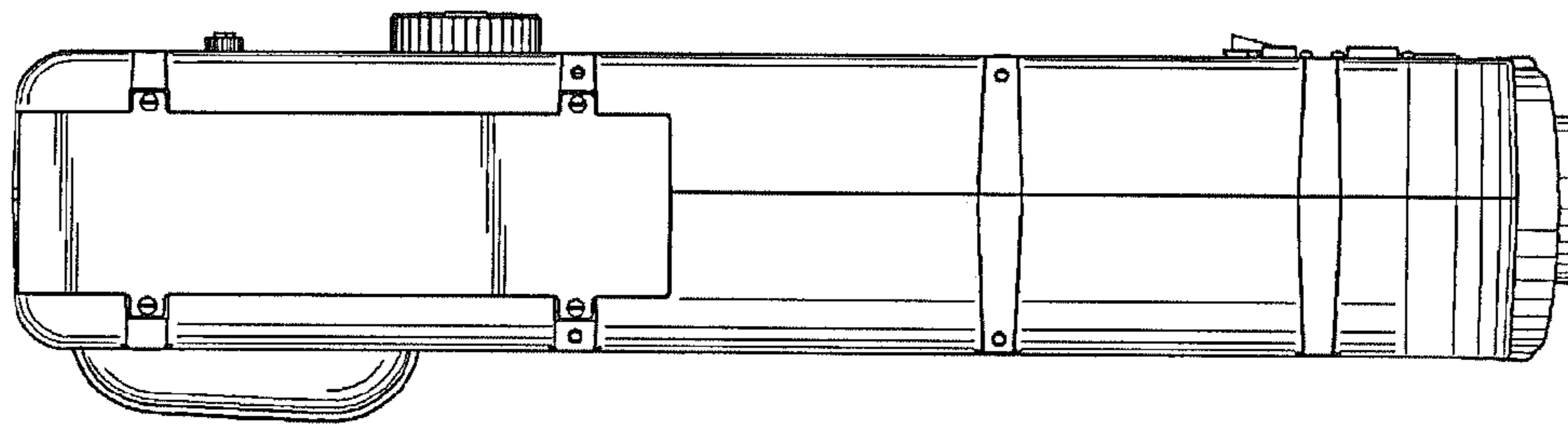


FIG. 6

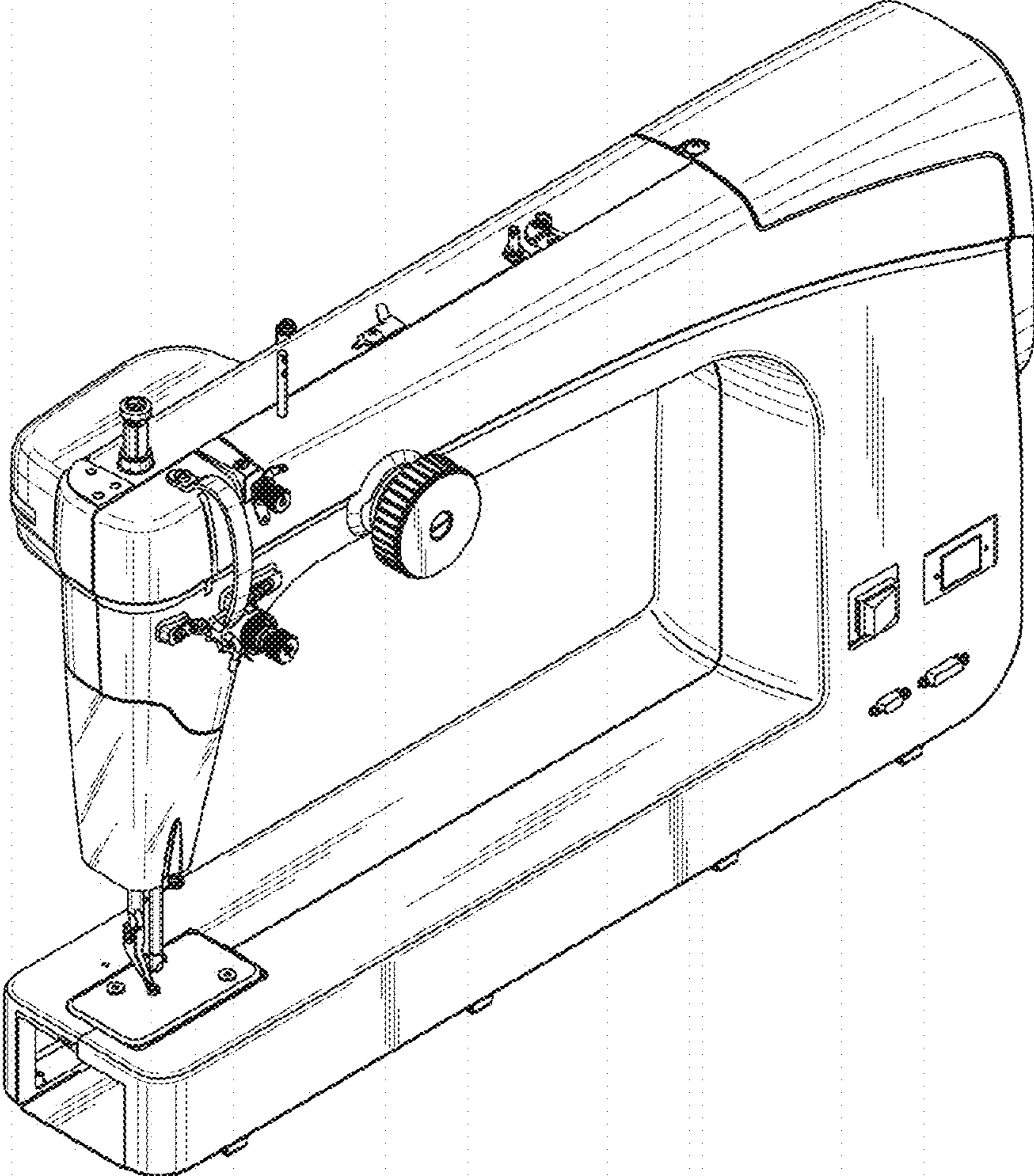


FIG. 7