

US00D693375S

(12) **United States Design Patent**  
**Chlystek et al.**

(10) **Patent No.:** **US D693,375 S**  
(45) **Date of Patent:** **\*\* Nov. 12, 2013**

(54) **TRACTOR**

(56) **References Cited**

(75) Inventors: **Thomas Chlystek**, Darien, IL (US);  
**William Schroeder**, Downers Grove, IL (US); **Carl J. Hagele**, The Villages, FL (US); **Richard J. Hagele**, legal representative, The Villages, FL (US); **Aaron Richard**, Berwyn, IL (US); **Matthew Polk**, Palatine, IL (US); **Janusz Matus**, Indianhead Park, IL (US); **Daniel Morey**, Mundelein, IL (US); **Dayal Patel**, Arlington Heights, IL (US)

U.S. PATENT DOCUMENTS

D247,624 S *	3/1978	Emundts et al. ....	D15/23
D256,017 S *	7/1980	Emundts et al. ....	D15/23
D274,524 S *	7/1984	Koval et al. ....	D15/23
D355,423 S *	2/1995	Woods et al. ....	D15/23
D498,245 S *	11/2004	Kuwae et al. ....	D15/23
D519,130 S *	4/2006	Higashikawa et al. ....	D15/23
D519,131 S *	4/2006	Kuwae et al. ....	D15/23
D527,026 S *	8/2006	Kuwae et al. ....	D15/23
D533,569 S *	12/2006	Mursch .....	D15/28
D534,927 S *	1/2007	Mursch .....	D15/28
D555,674 S *	11/2007	Kuwae .....	D15/23
D564,544 S *	3/2008	Higashikawa et al. ....	D15/23
D572,642 S *	7/2008	Steckling et al. ....	D12/182
D602,047 S *	10/2009	Kushita et al. ....	D15/23
D603,881 S *	11/2009	Tamplain et al. ....	D15/30
D605,207 S *	12/2009	Menges et al. ....	D15/30
D607,388 S *	1/2010	Mahoney .....	D12/182
D613,776 S *	4/2010	Bianco et al. ....	D15/33
D613,777 S *	4/2010	Bianco et al. ....	D15/33
D632,704 S *	2/2011	Seidel et al. ....	D15/28
D641,027 S *	7/2011	Kawashiri et al. ....	D15/23

(73) Assignee: **CNH America LLC**, New Holland, PA (US)

(\*\*) Term: **14 Years**

(21) Appl. No.: **29/411,606**

(22) Filed: **Jan. 24, 2012**

**Related U.S. Application Data**

(62) Division of application No. 29/391,535, filed on May 10, 2011, now Pat. No. Des. 655,319.

(51) **LOC (9) Cl.** ..... **15-03**

(52) **U.S. Cl.**  
USPC ..... **D15/23**

(58) **Field of Classification Search**  
USPC ..... D15/10, 11, 13-17, 28, 22-26, 31;  
D12/173; 56/13.3, 13.4, 15.8, 15.9,  
56/320.1; 180/89.1, 89.12, 900, 69.2,  
180/68.1, 69.1

See application file for complete search history.

\* cited by examiner

*Primary Examiner* — Mark Goodwin

(74) *Attorney, Agent, or Firm* — Sue C. Watson

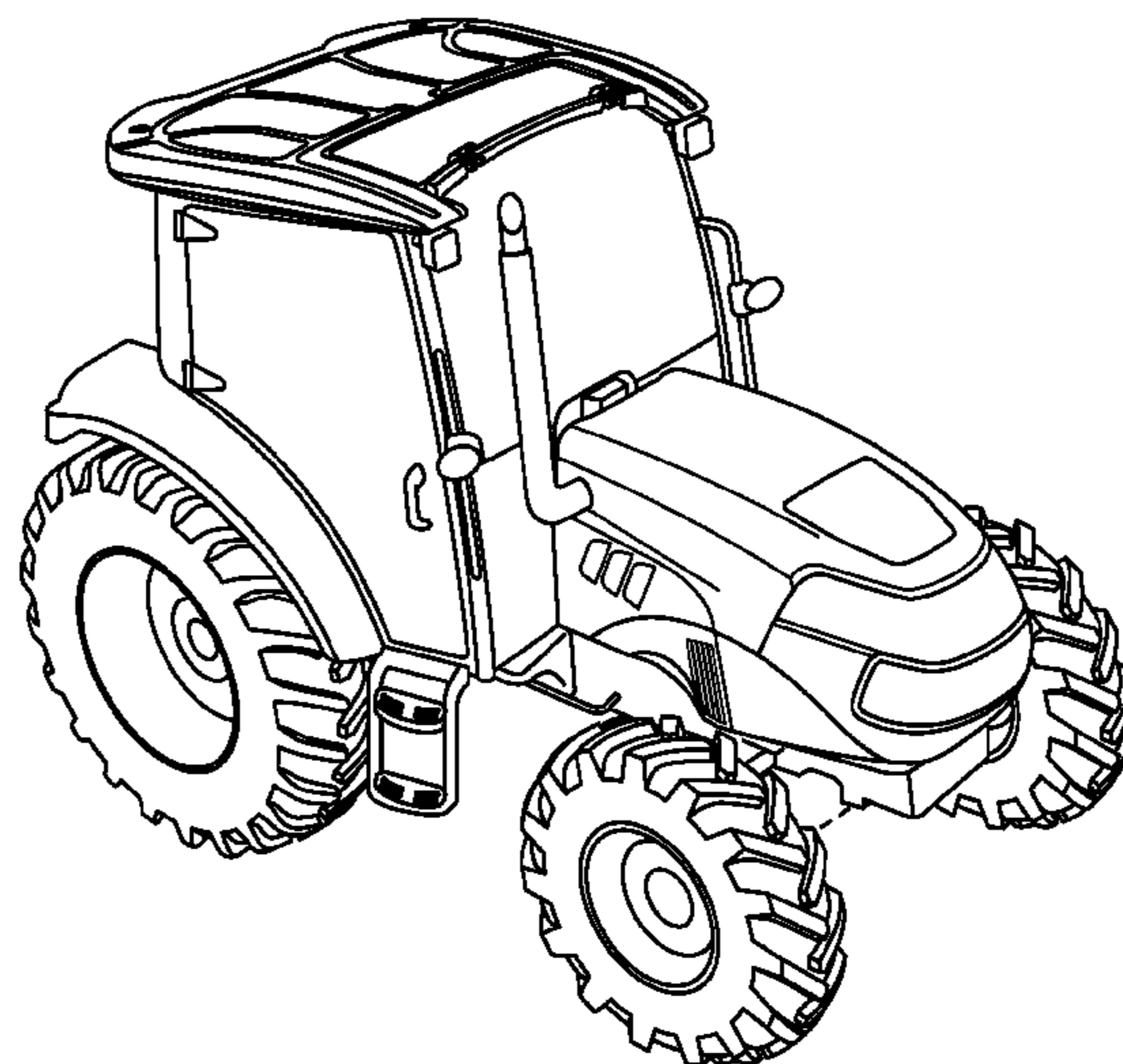
(57) **CLAIM**

We claim the ornamental design for a tractor, as shown and described.

**DESCRIPTION**

FIG. 1 is a perspective view of a tractor showing our new design;  
FIG. 2 is a front view thereof;  
FIG. 3 is a rear view thereof;  
FIG. 4 is a right side view thereof;  
FIG. 5 is a left side view thereof;  
FIG. 6 is a top plan view thereof; and,  
FIG. 7 is a bottom plan view thereof.  
The portions of the Figures shown in broken lines form no part of the claimed design.

**1 Claim, 7 Drawing Sheets**



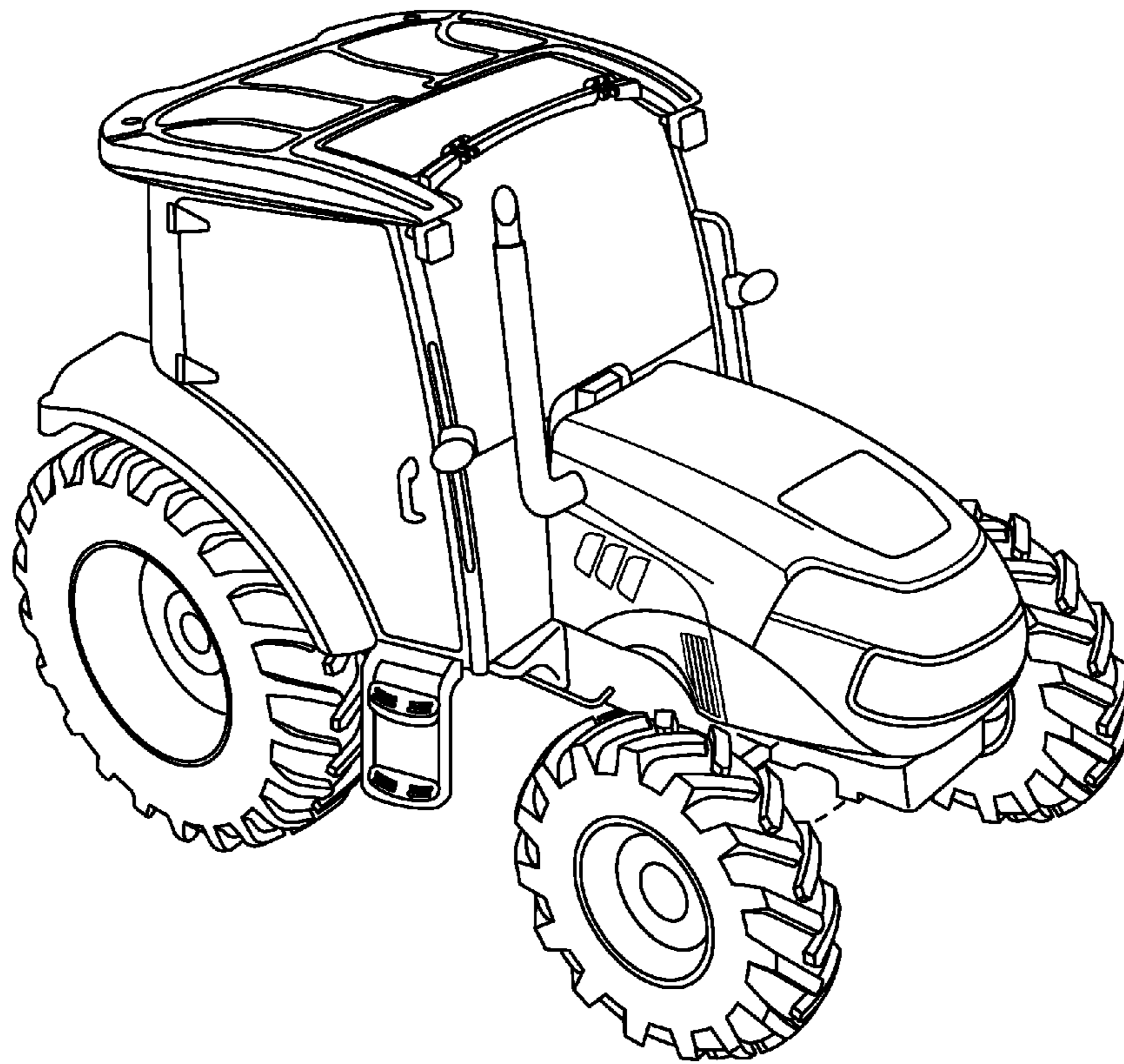


FIG. 1

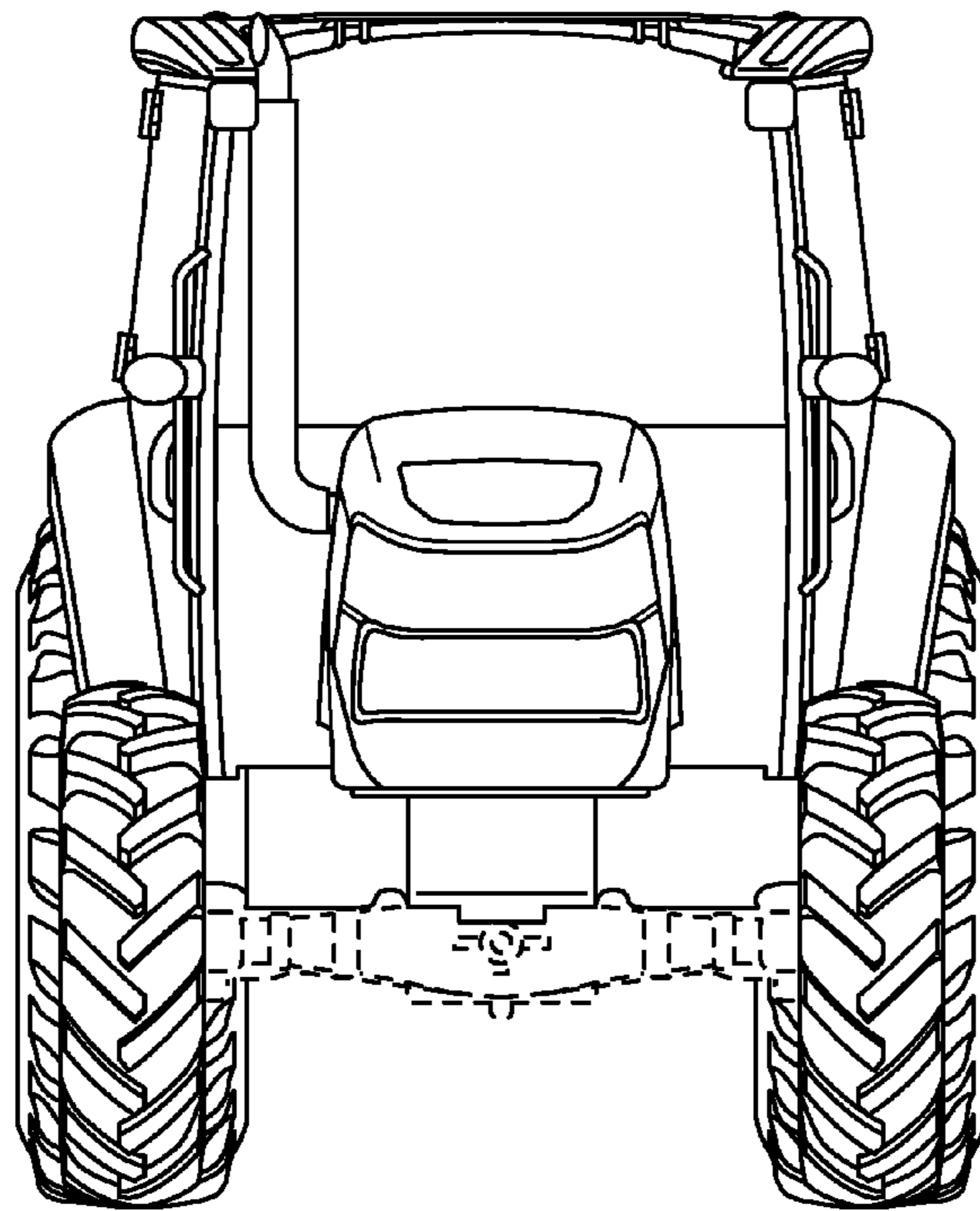


FIG. 2

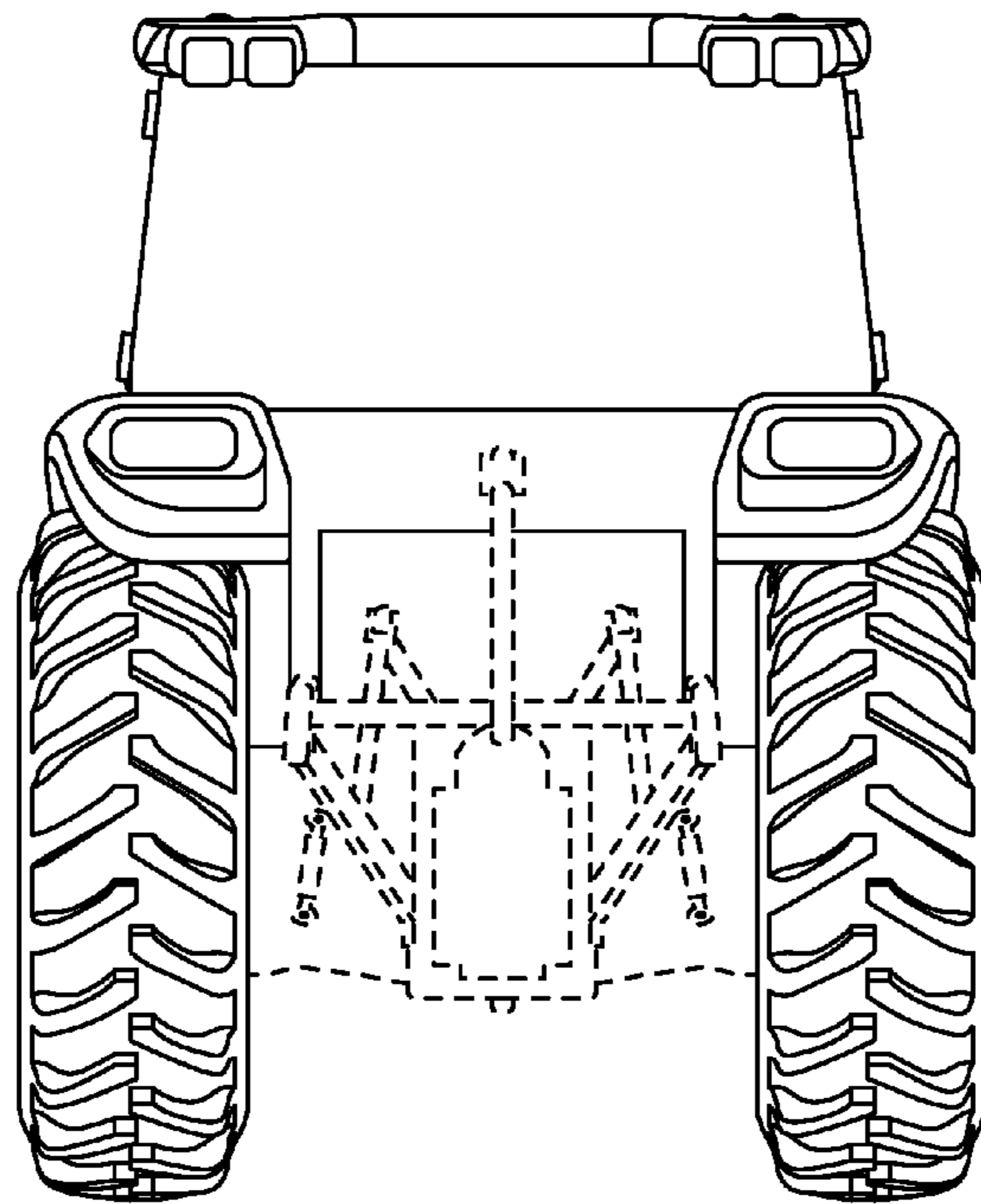


FIG. 3

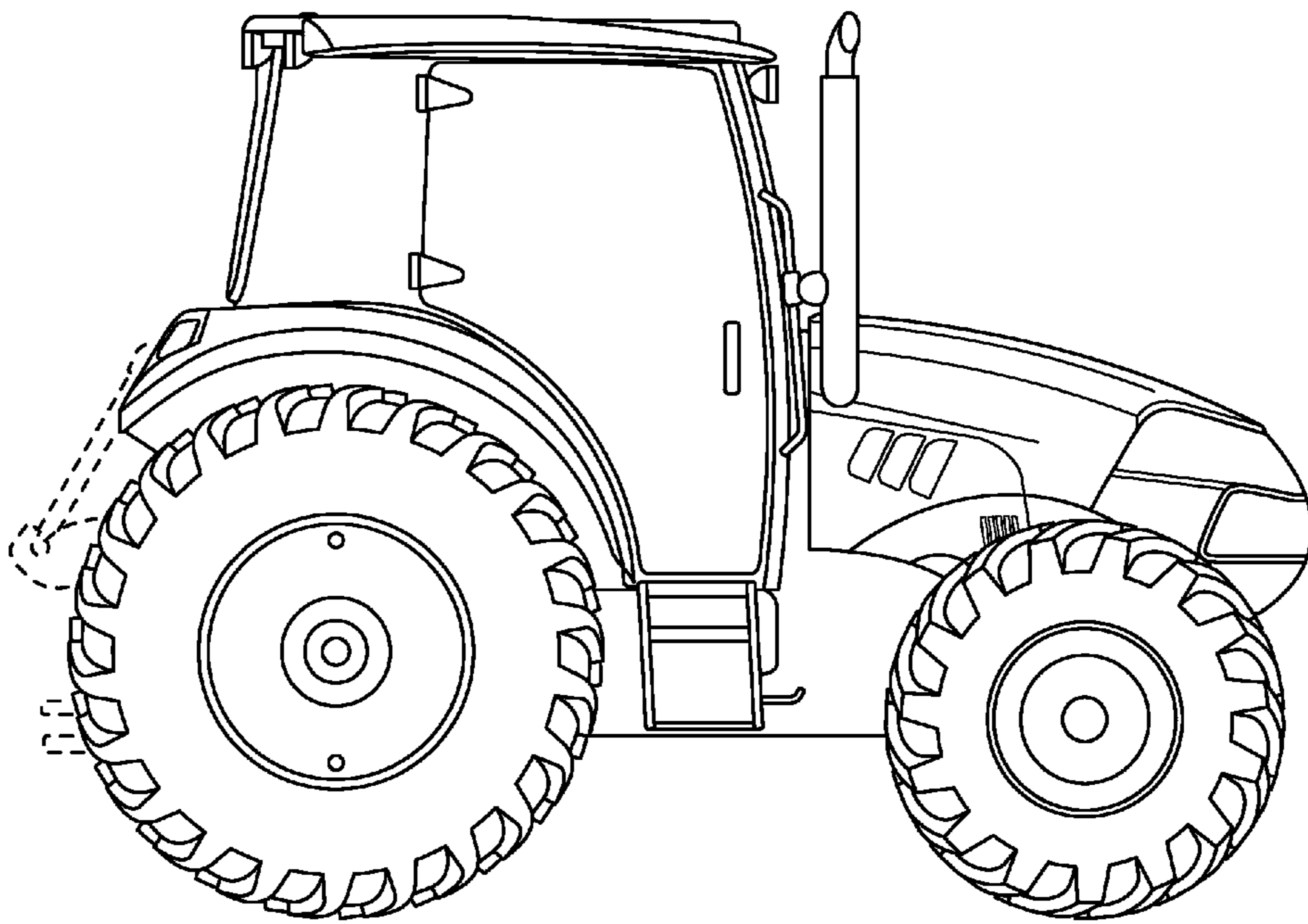


FIG. 4



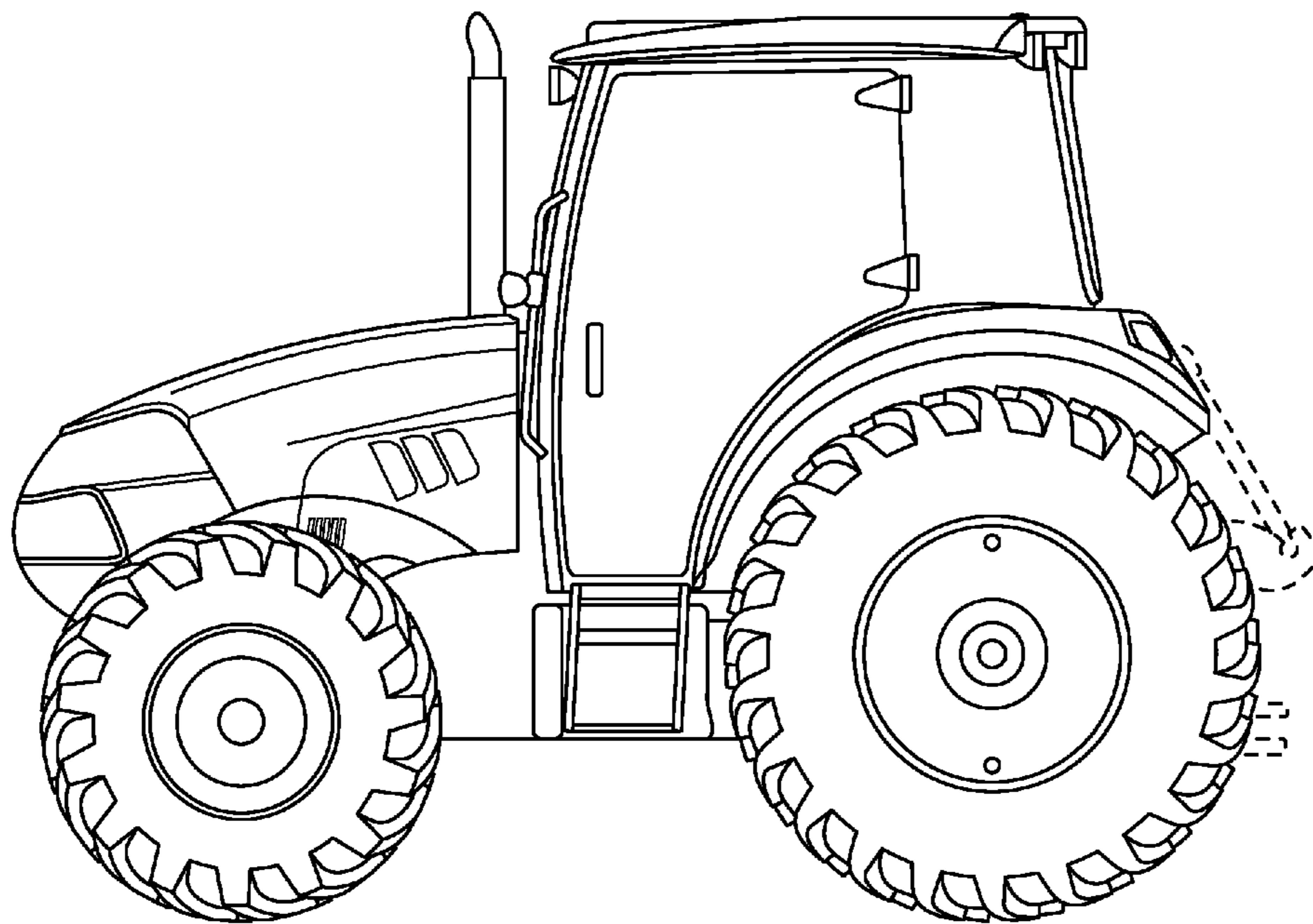


FIG. 5

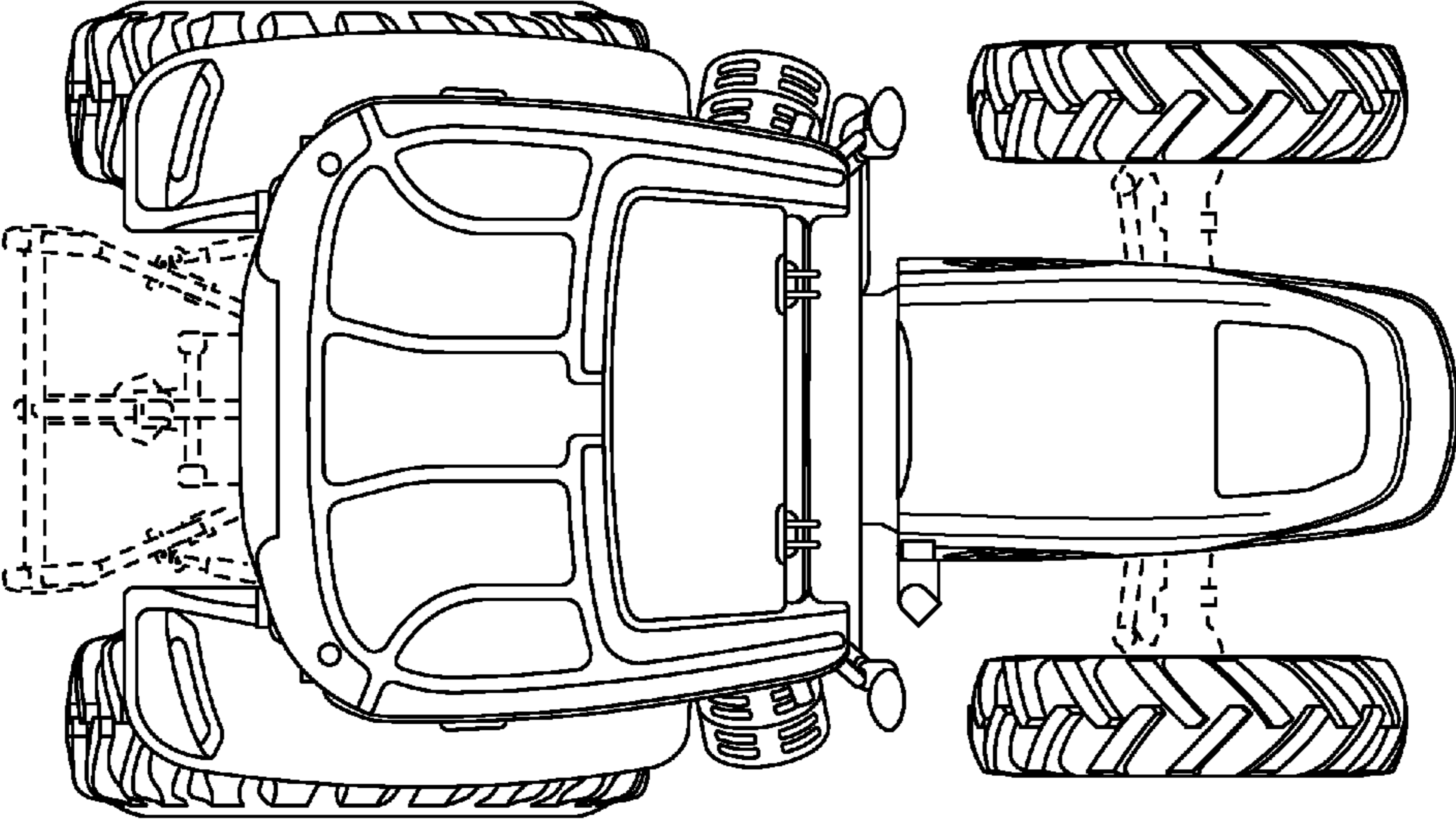


FIG. 6

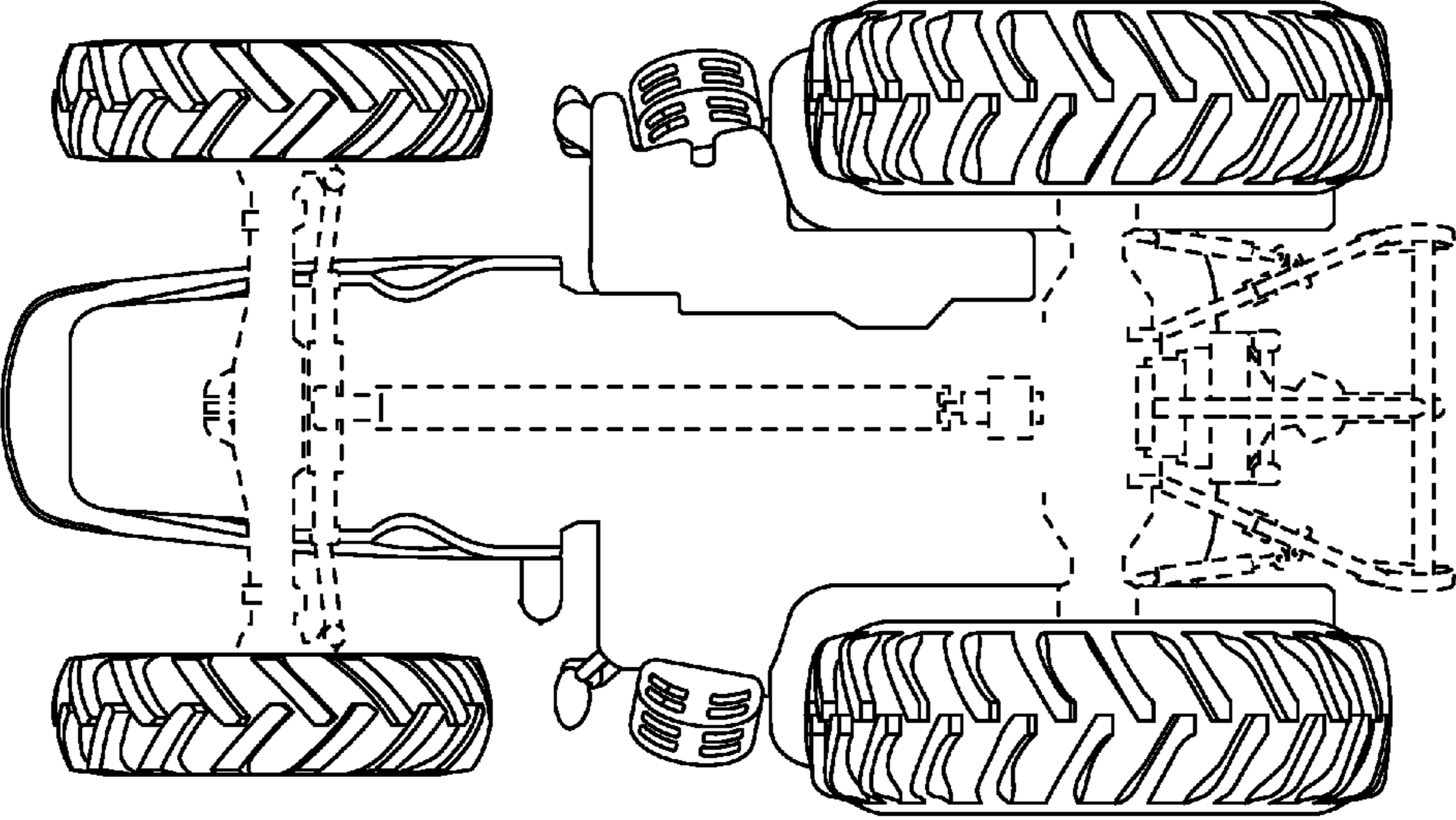


FIG. 7