

US00D693373S

(12) **United States Design Patent**
Shiotsuki et al.

(10) **Patent No.:** **US D693,373 S**

(45) **Date of Patent:** **** Nov. 12, 2013**

(54) **MOWER BLADE**

(71) Applicant: **Kubota Corporation**, Osaka (JP)

(72) Inventors: **Motosumi Shiotsuki**, Tondabayashi (JP); **Akira Minoura**, Sennan-gun (JP); **Kazuo Koike**, Kobe (JP); **Hirokazu Ito**, Izumisano (JP)

(73) Assignee: **Kubota Corporation**, Osaka (JP)

(**) Term: **14 Years**

(21) Appl. No.: **29/449,884**

(22) Filed: **Mar. 15, 2013**

(51) **LOC (9) Cl.** **15-03**

(52) **U.S. Cl.**
USPC **D15/17**

(58) **Field of Classification Search**
USPC D15/14, 17, 28; 56/289, 13.4, 295, 255, 56/17.5, DIG. 19, DIG. 20; 30/276, 357, 30/347, 295, 255, 289, 13.4, 17.5, 390
See application file for complete search history.

(56) **References Cited**

U.S. PATENT DOCUMENTS

2,857,729	A *	10/1958	Zoldok	56/295
4,559,769	A	12/1985	Seyerle		
5,209,052	A *	5/1993	Carroll	56/255
D357,691	S *	4/1995	Bryant	D15/17
5,775,078	A	7/1998	Warren		
6,301,868	B1	10/2001	Siplinger		
D450,066	S *	11/2001	Monesmith	D15/17
D482,700	S *	11/2003	Lancaster	D15/17
D487,098	S *	2/2004	Arfstrom et al.	D15/17
6,769,236	B2 *	8/2004	Schaedler	56/295
6,938,402	B2 *	9/2005	Arfstrom et al.	56/295
7,127,877	B2 *	10/2006	Curran	56/255

D535,666	S *	1/2007	Nesco et al.	D15/17
D574,860	S *	8/2008	Potts	D15/17
D598,475	S *	8/2009	Roth	D15/17
D609,251	S *	2/2010	Roth	D15/17
D622,740	S *	8/2010	Roth et al.	D15/17
7,861,503	B1 *	1/2011	Campbell	56/17.5
D649,981	S *	12/2011	Roth et al.	D15/17
2005/0172601	A1 *	8/2005	Besogne	56/295
2005/0210852	A1 *	9/2005	Lancaster	56/295
2005/0229573	A1 *	10/2005	Curran	56/255
2006/0162310	A1 *	7/2006	Dittmer	56/289
2006/0168933	A1 *	8/2006	Hill	56/295

FOREIGN PATENT DOCUMENTS

JP S61-135515 6/1986

* cited by examiner

Primary Examiner — Mark Goodwin

(74) *Attorney, Agent, or Firm* — Masuvalley & Partners

(57) **CLAIM**

The ornamental design for a mower blade, as shown and described.

DESCRIPTION

FIG. 1 is a perspective view of the mower blade according to the invention;

FIG. 2 is a front elevation view of the mower blade of FIG. 1, with the rear elevation view being identical;

FIG. 3 is a left side elevation view of the mower blade of FIG. 1, with the right side elevation view being identical;

FIG. 4 is a top plan view of the mower blade of FIG. 1; and, FIG. 5 is a bottom plan view of the mower blade of FIG. 1.

The broken line disclosure, as well as line shading in parts of the drawings is included for the purpose of illustrating use and environment and forms no part of the claimed design.

1 Claim, 5 Drawing Sheets

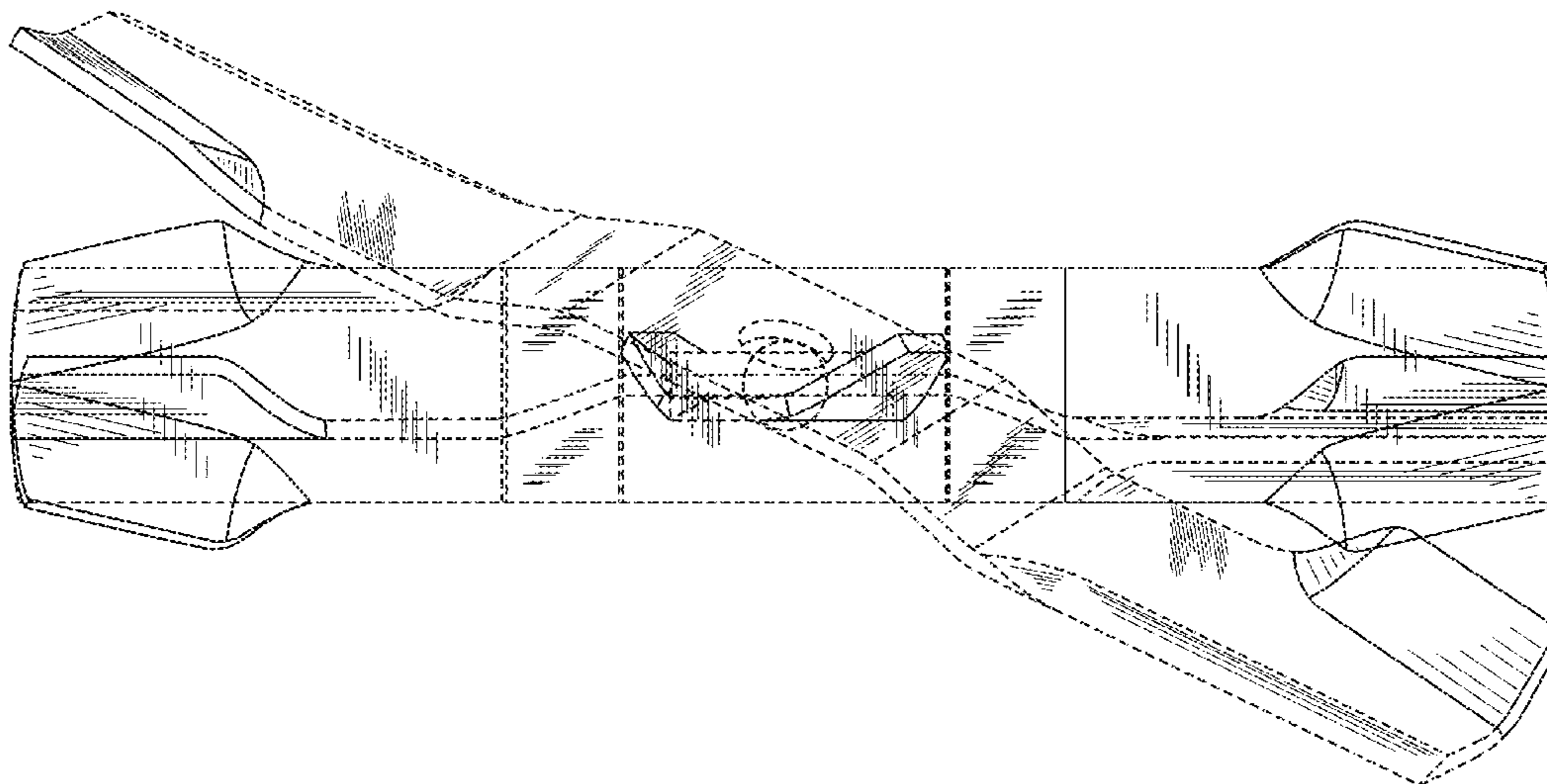


FIG. 1

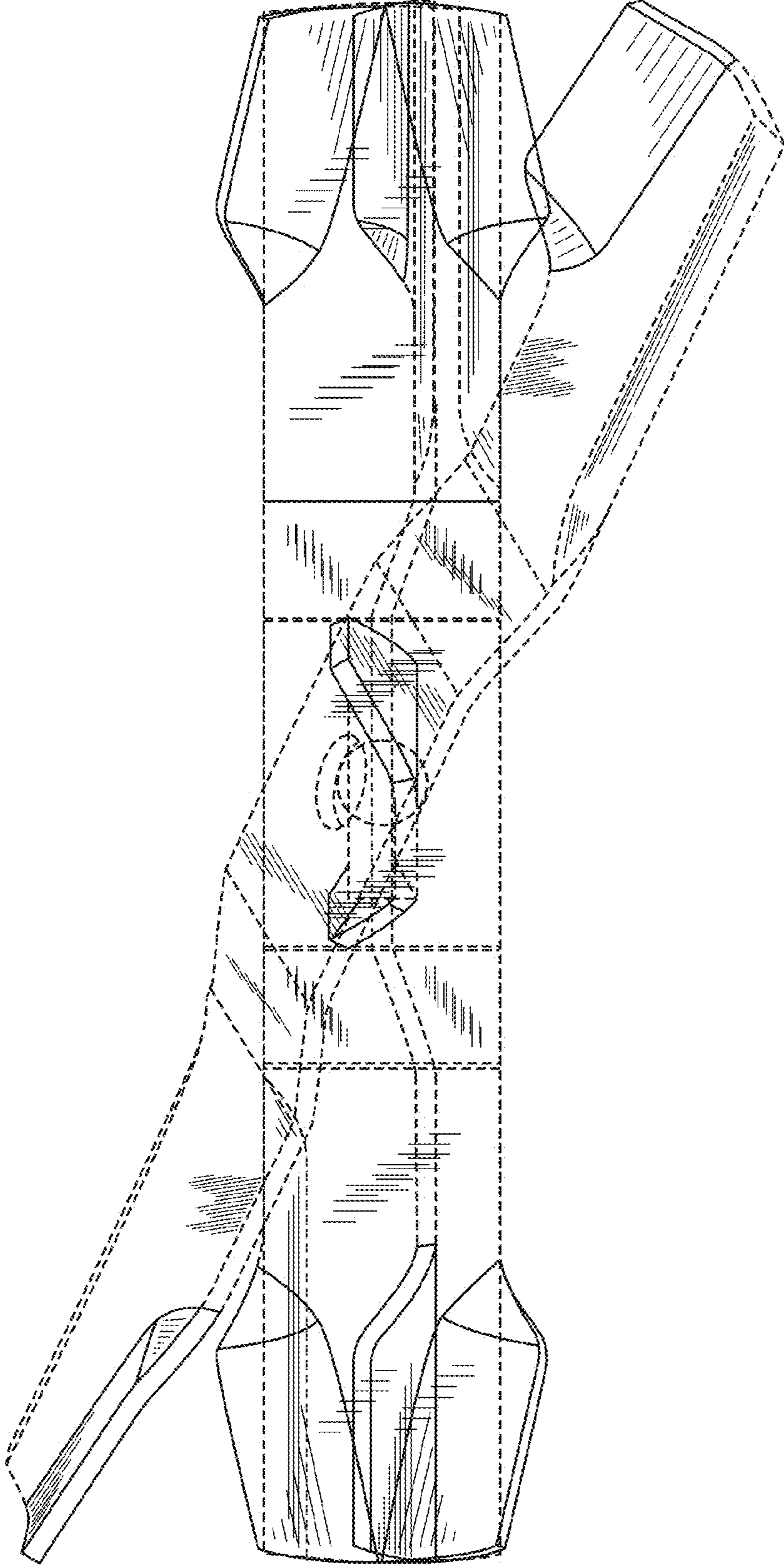


FIG. 2

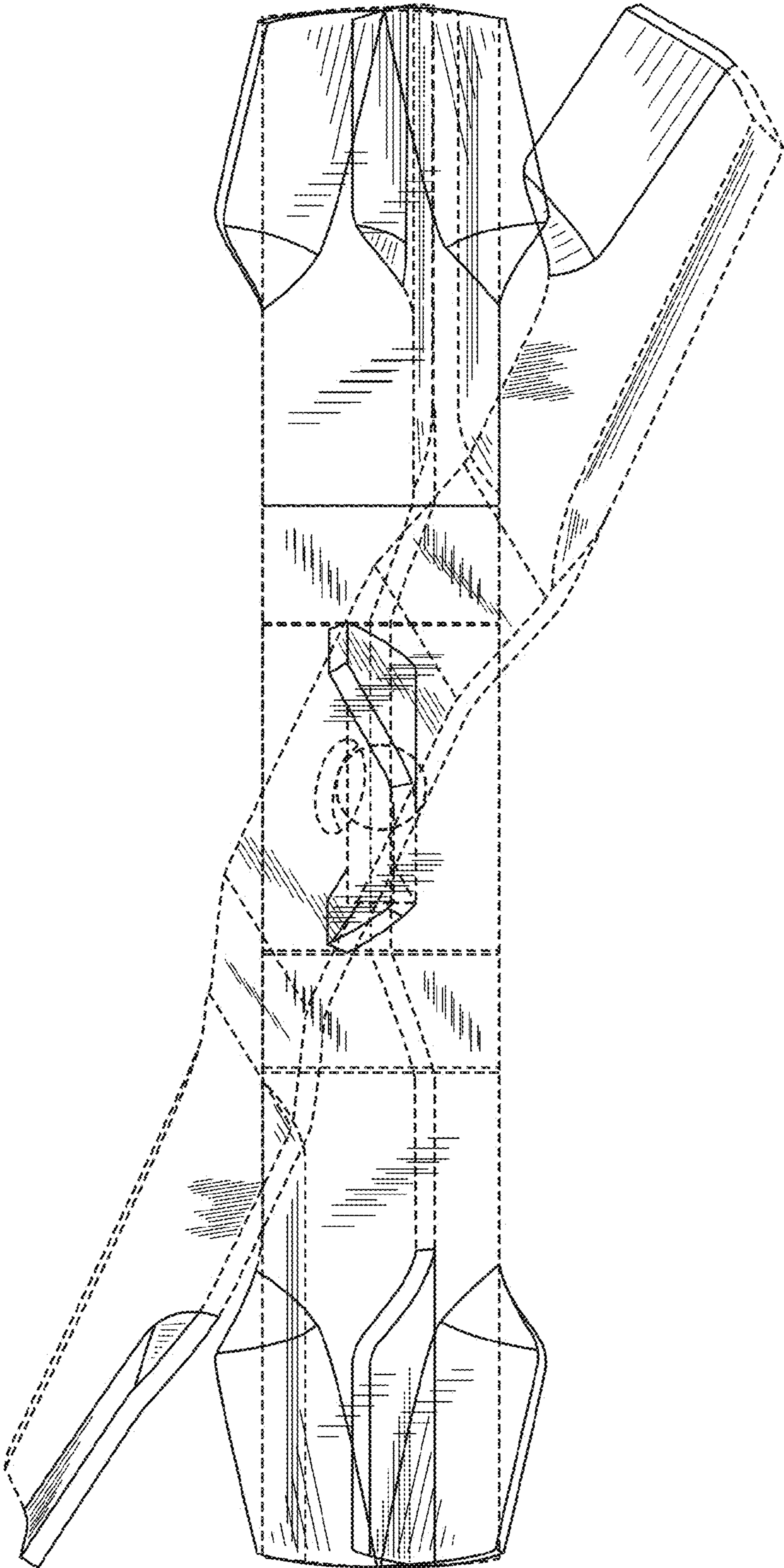


FIG. 3

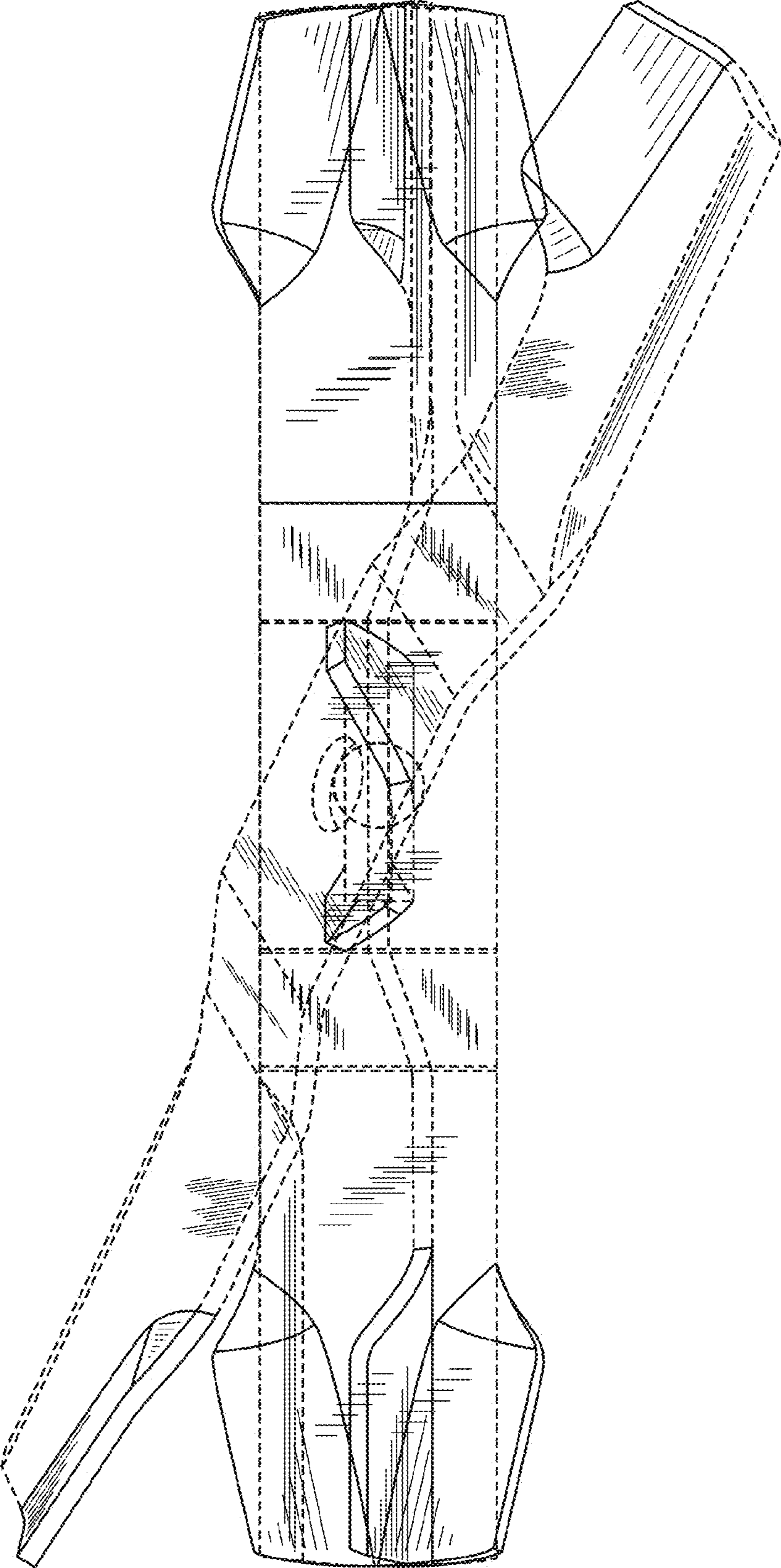


FIG. 4

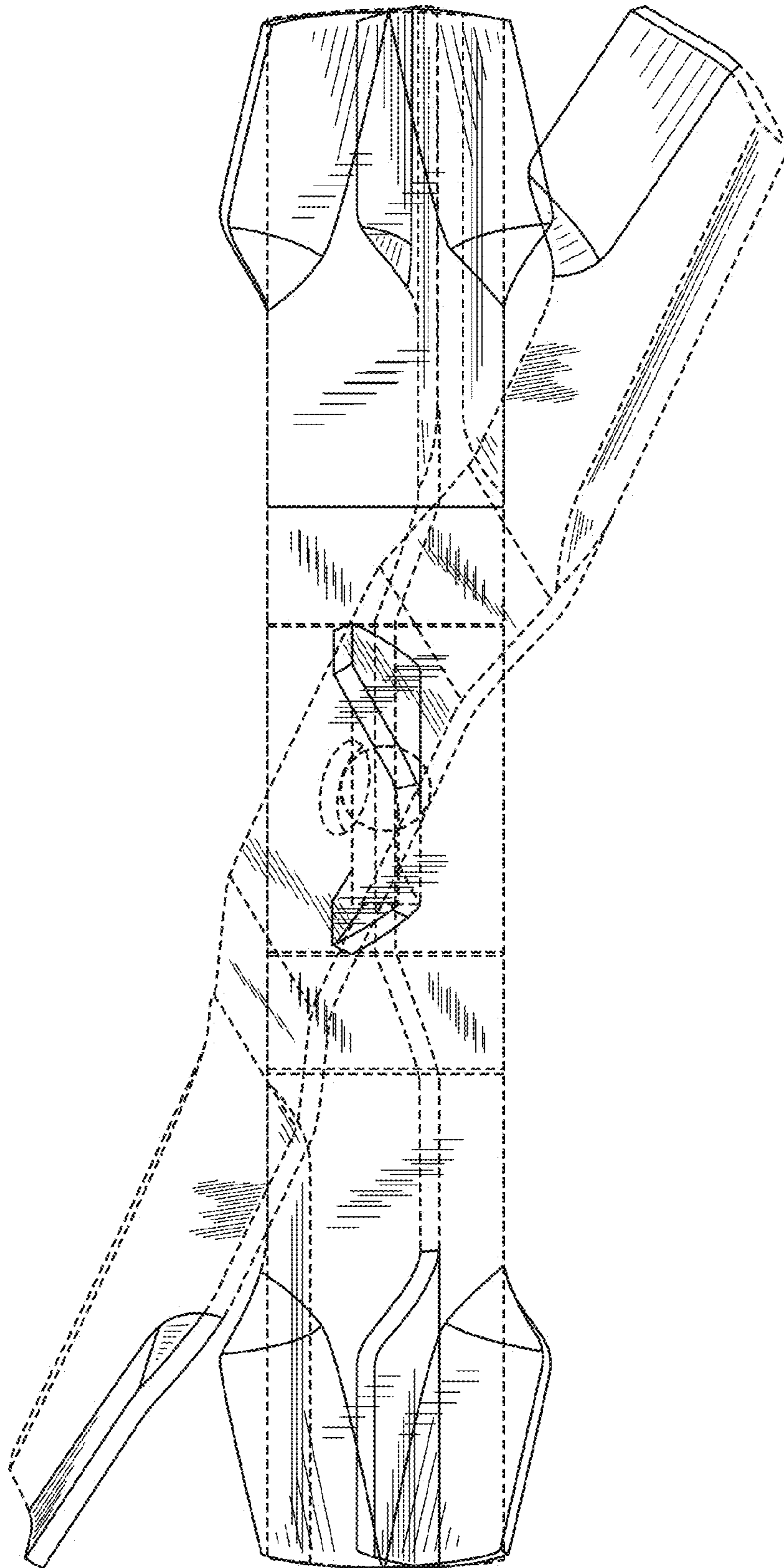
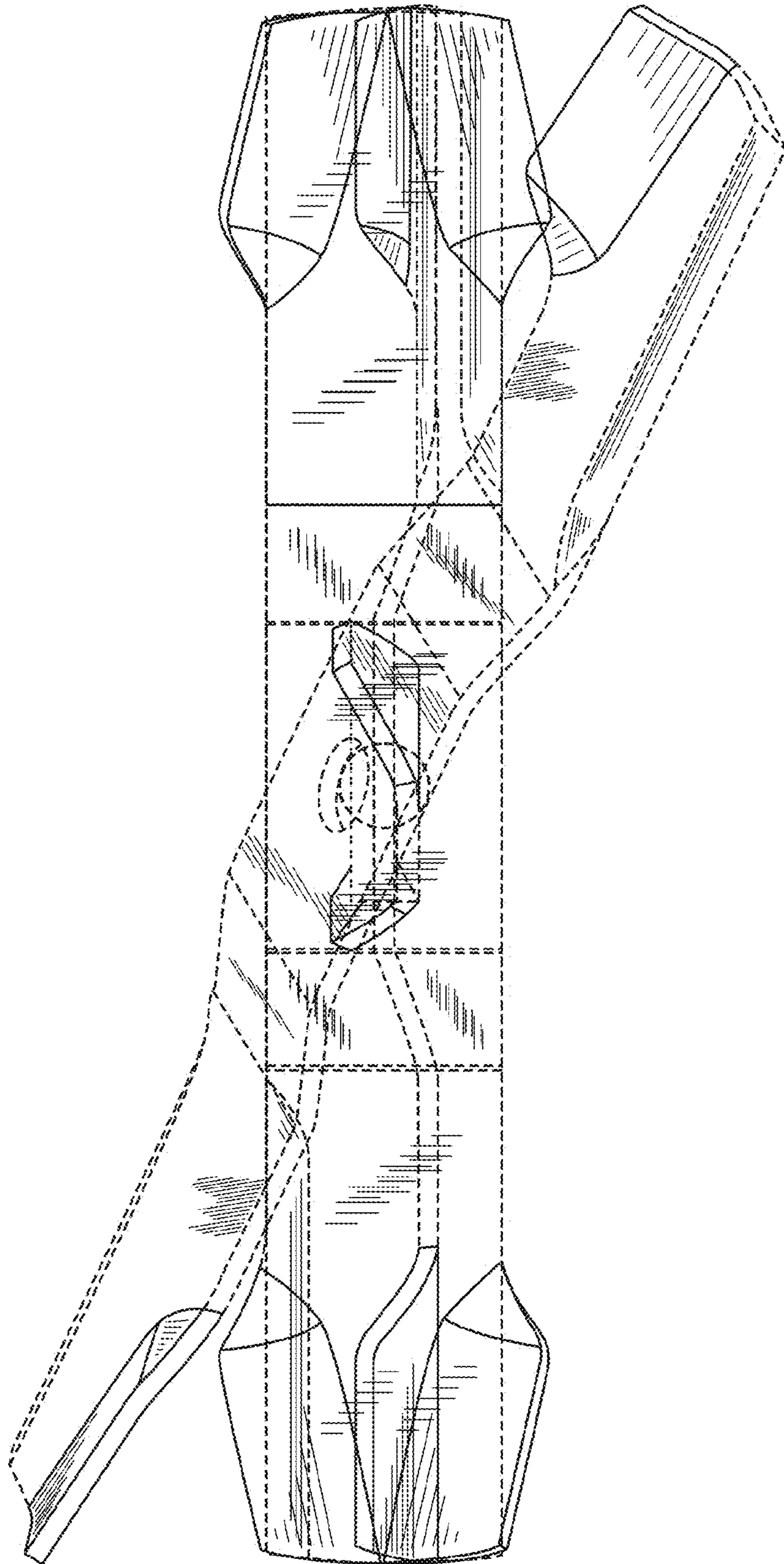


FIG. 5



UNITED STATES PATENT AND TRADEMARK OFFICE
CERTIFICATE OF CORRECTION

PATENT NO. : D693,373 S
APPLICATION NO. : 29/449884
DATED : November 12, 2013
INVENTOR(S) : Shiotsuki et al.

Page 1 of 7

It is certified that error appears in the above-identified patent and that said Letters Patent is hereby corrected as shown below:

Please delete the title page and insert the title page showing an illustrative figure as attached.

In the Drawings

Please delete drawing sheets 1-5 and insert drawing sheets 1-5 with figures 1-5 as attached.

Signed and Sealed this
Seventeenth Day of June, 2014



Michelle K. Lee
Deputy Director of the United States Patent and Trademark Office

(12) **United States Design Patent** (10) **Patent No.:** **US D693,373 S**
Shiotsuki et al. (45) **Date of Patent:** **** Nov. 12, 2013**

(54) **MOWER BLADE**
 (71) Applicant: **Kubota Corporation, Osaka (JP)**
 (72) Inventors: **Motosumi Shiotsuki, Tondabayashi (JP); Akira Minoura, Sennan-gun (JP); Kazuo Koike, Kobe (JP); Hirokazu Ito, Izumisano (JP)**
 (73) Assignee: **Kubota Corporation, Osaka (JP)**
 (**) Term: **14 Years**

(21) Appl. No.: **29/449,884**
 (22) Filed: **Mar. 15, 2013**
 (51) **LOC (9) Cl.** **15-03**
 (52) **U.S. Cl.**
 USPC **D15/17**
 (58) **Field of Classification Search**
 USPC **D15/14, 17, 28; 56/289, 13.4, 295, 255, 56/17.5, DIG. 19, DIG. 20; 30/276, 357, 30/347, 295, 255, 289, 13.4, 17.5, 390**
 See application file for complete search history.

(56) **References Cited**

U.S. PATENT DOCUMENTS

2,857,729	A *	10/1958	Zoldok	56/295
4,559,769	A	12/1985	Seyerle	
5,209,052	A *	5/1993	Carroll	56/255
D357,691	S *	4/1995	Bryant	D15/17
5,775,078	A	7/1998	Warren	
6,301,868	B1	10/2001	Siplinger	
D450,066	S *	11/2001	Monesmith	D15/17
D482,700	S *	11/2003	Lancaster	D15/17
D487,098	S *	2/2004	Arfstrom et al.	D15/17
6,769,236	B2 *	8/2004	Schaedler	56/295
6,938,402	B2 *	9/2005	Arfstrom et al.	56/295
7,127,877	B2 *	10/2006	Curran	56/255

D535,666	S *	1/2007	Nesco et al.	D15/17
D574,860	S *	8/2008	Potts	D15/17
D598,475	S *	8/2009	Roth	D15/17
D609,251	S *	2/2010	Roth	D15/17
D622,740	S *	8/2010	Roth et al.	D15/17
7,861,503	B1 *	1/2011	Campbell	56/17.5
D649,981	S *	12/2011	Roth et al.	D15/17
2005/0172601	A1 *	8/2005	Besogne	56/295
2005/0210852	A1 *	9/2005	Lancaster	56/295
2005/0229573	A1 *	10/2005	Curran	56/255
2006/0162310	A1 *	7/2006	Dittmer	56/289
2006/0168933	A1 *	8/2006	Hill	56/295

FOREIGN PATENT DOCUMENTS

JP S61-135515 6/1986

* cited by examiner

Primary Examiner — Mark Goodwin

(74) *Attorney, Agent, or Firm* — Masuvalley & Partners

(57) **CLAIM**

The ornamental design for a mower blade, as shown and described.

DESCRIPTION

FIG. 1 is a perspective view of the mower blade according to the invention;
 FIG. 2 is a front elevation view of the mower blade of FIG. 1, with the rear elevation view being identical;
 FIG. 3 is a left side elevation view of the mower blade of FIG. 1, with the right side elevation view being identical;
 FIG. 4 is a top plan view of the mower blade of FIG. 1; and,
 FIG. 5 is a bottom plan view of the mower blade of FIG. 1.
 The broken line disclosure, as well as line shading in parts of the drawings is included for the purpose of illustrating use and environment and forms no part of the claimed design.

1 Claim, 5 Drawing Sheets

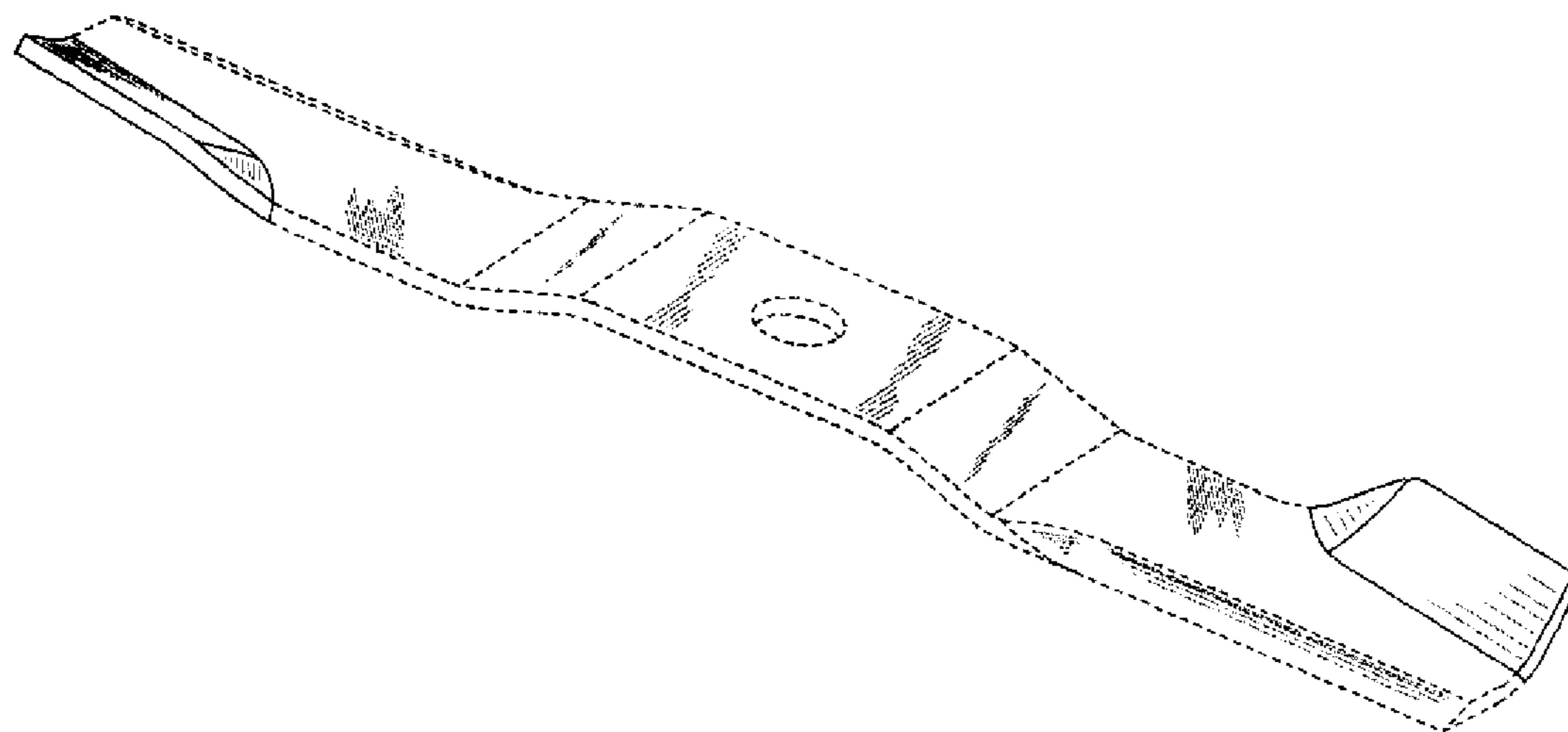


FIG. 1

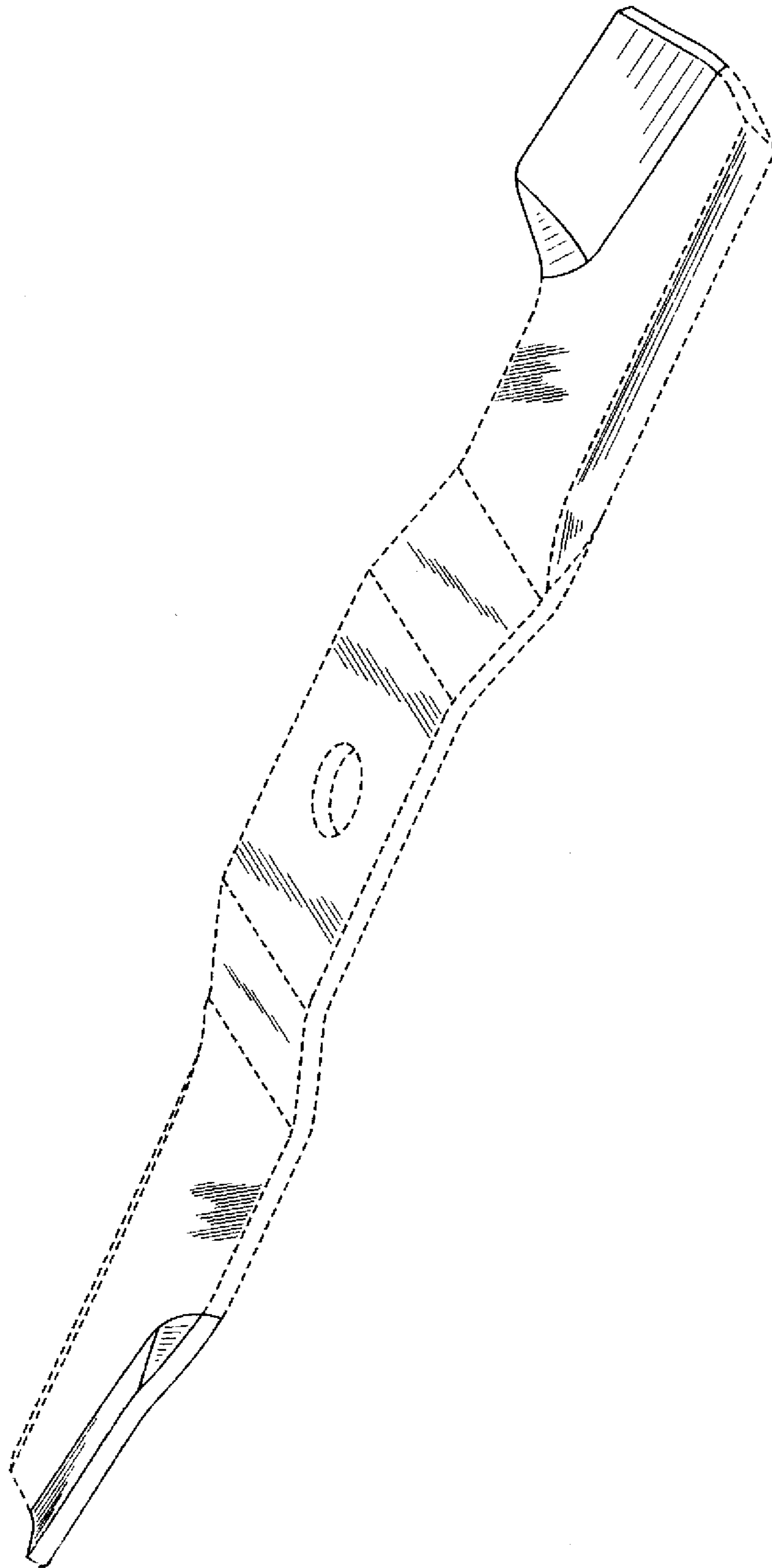


FIG. 2

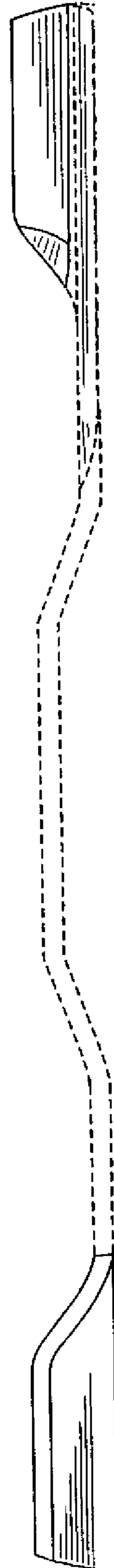


FIG. 3



FIG. 4

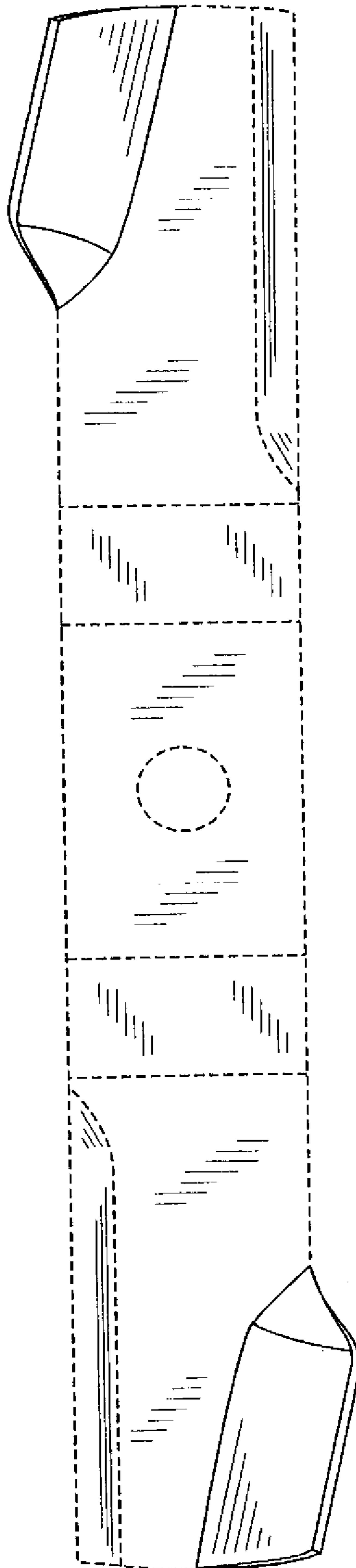


FIG. 5

