



US00D693372S

(12) **United States Design Patent**
Luster et al.

(10) **Patent No.:** **US D693,372 S**

(45) **Date of Patent:** **** Nov. 12, 2013**

(54) **BIN SWEEP SECTION**

(75) Inventors: **Jason Luster**, Huxley, IA (US); **Todd Maxwell Hall**, Sheffield, IA (US); **Daniel Sease**, Ankeny, IA (US); **Christopher Ryan King**, Des Moines, IA (US); **Derek Jay Hemphill**, Ankeny, IA (US)

(73) Assignee: **LeMar Industries Corp.**, Ankeny, IA (US)

(**) Term: **14 Years**

(21) Appl. No.: **29/414,203**

(22) Filed: **Feb. 27, 2012**

(51) **LOC (9) Cl.** **15-03**

(52) **U.S. Cl.**
USPC **D15/10**

(58) **Field of Classification Search**
USPC D15/10, 13, 28; 414/307, 326, 311, 88, 414/310, 133, 312; 366/347; 198/550.8, 198/550.1, 615, 657, 674, 587, 608
See application file for complete search history.

(56) **References Cited**

U.S. PATENT DOCUMENTS

3,647,094	A *	3/1972	Jackson	414/312
4,029,219	A *	6/1977	Rutten et al.	414/308
4,103,788	A *	8/1978	Sutton	414/309
4,313,705	A *	2/1982	Jackson	414/312
4,806,058	A *	2/1989	Galichowski et al.	414/304
5,098,247	A *	3/1992	Campbell	414/326
5,167,318	A *	12/1992	Siemens	198/550.01
5,180,272	A *	1/1993	Campbell	414/313
5,366,067	A *	11/1994	Courtois et al.	198/518

5,511,925	A *	4/1996	Muth	414/310
5,639,200	A *	6/1997	Jiskoot	414/310
5,944,168	A *	8/1999	Campbell et al.	198/519
7,004,305	B2 *	2/2006	Schaefer	198/674
7,544,031	B2 *	6/2009	Kaeb et al.	414/310
7,857,120	B1 *	12/2010	Perring et al.	198/671
2004/0213650	A1 *	10/2004	Epp et al.	414/310
2005/0183931	A1 *	8/2005	Schaefer	198/550.1
2005/0254922	A1 *	11/2005	Berreau et al.	414/310
2005/0263372	A1 *	12/2005	Hollander et al.	198/550.1
2006/0072989	A1 *	4/2006	Kaeb et al.	414/310
2006/0269383	A1 *	11/2006	Lepp et al.	414/133
2006/0285942	A1 *	12/2006	Fridgen et al.	414/133
2008/0131242	A1 *	6/2008	Duffy et al.	414/311
2010/0239399	A1 *	9/2010	Hoogestraat et al.	414/310
2010/0254790	A1 *	10/2010	Tkachyk	414/311
2013/0115031	A1 *	5/2013	Trame et al.	414/307

* cited by examiner

Primary Examiner — Mark Goodwin

(74) *Attorney, Agent, or Firm* — David M. Breiner; Camille L. Urban

(57) **CLAIM**

The ornamental design for a bin sweep section, as shown and described.

DESCRIPTION

FIG. 1 is a front-side perspective view of a bin sweep section showing my new design;

FIG. 2 is a front elevational view thereof;

FIG. 3 is a side elevational view thereof;

FIG. 4 is an opposite side elevational view thereof;

FIG. 5 is a bottom plan view thereof;

FIG. 6 is a top view thereof; and,

FIG. 7 is a back elevational view thereof.

1 Claim, 7 Drawing Sheets

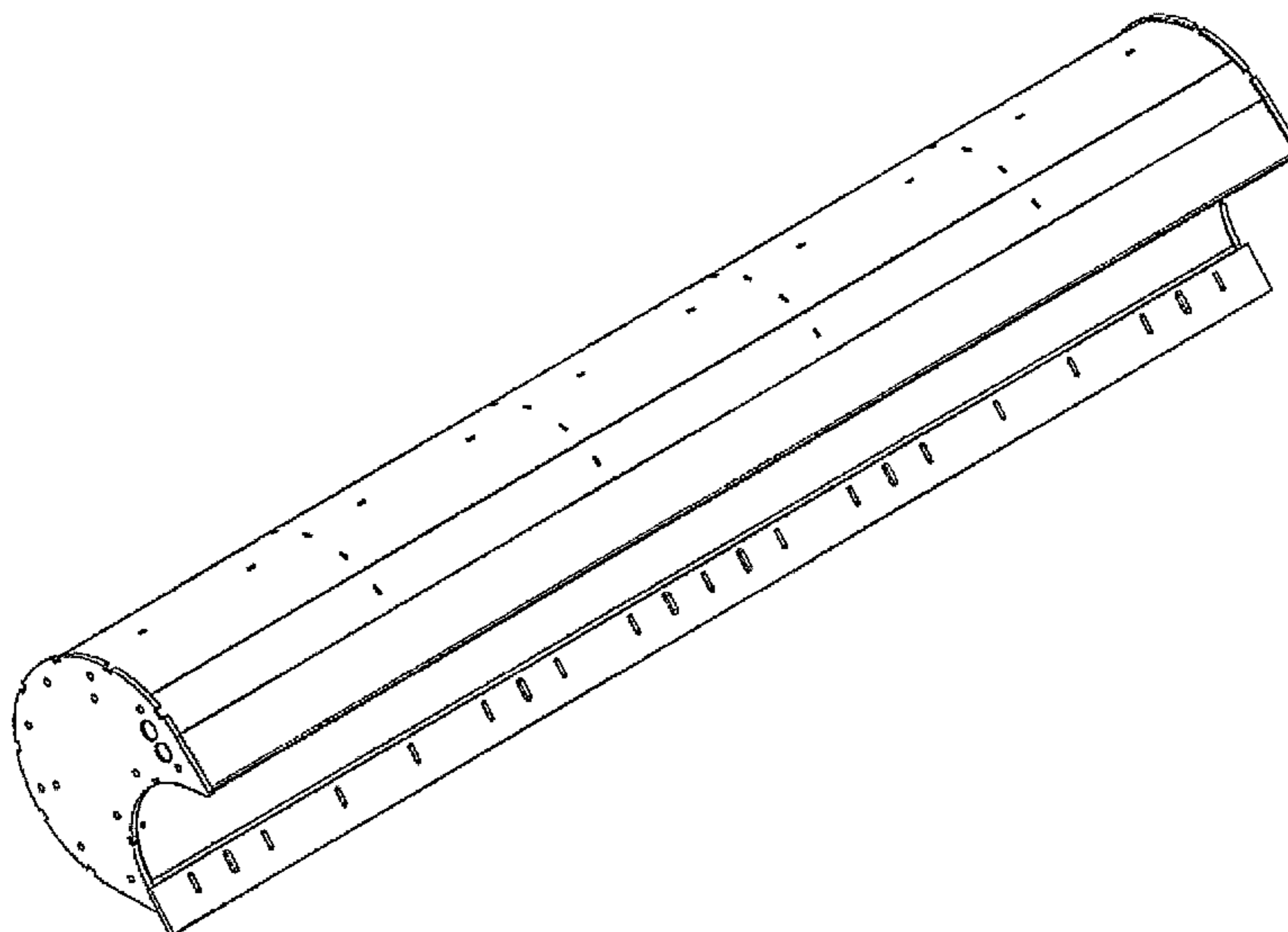


FIG. 1

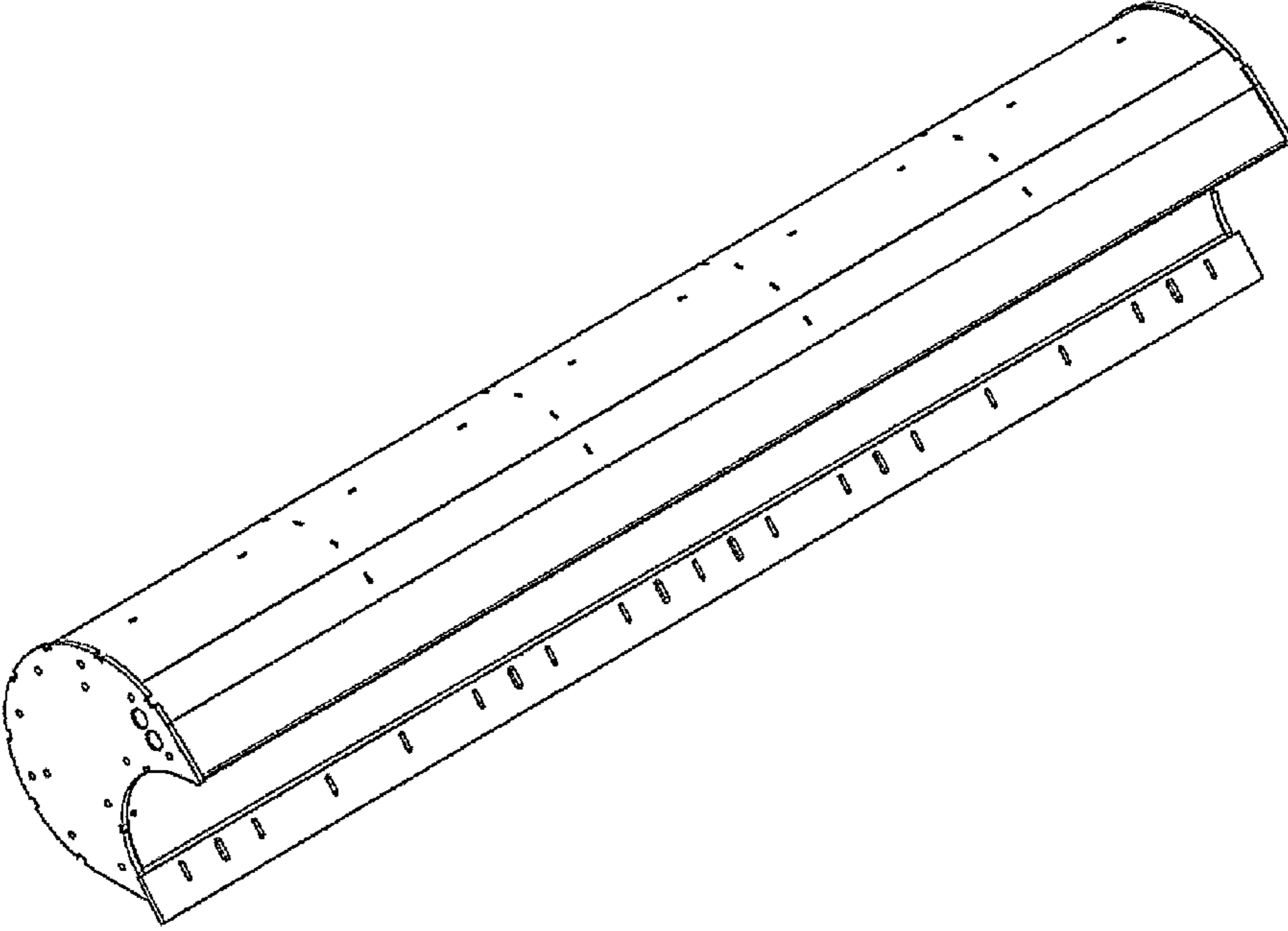


FIG. 2

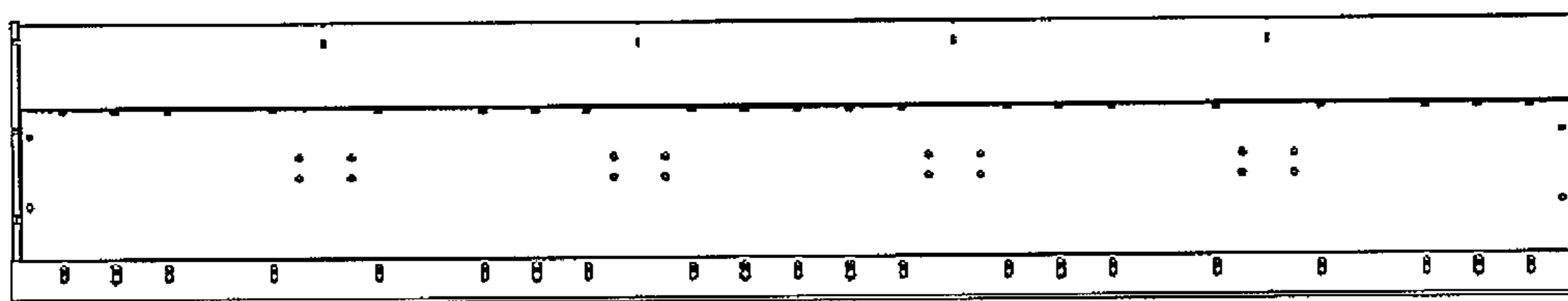


FIG. 3

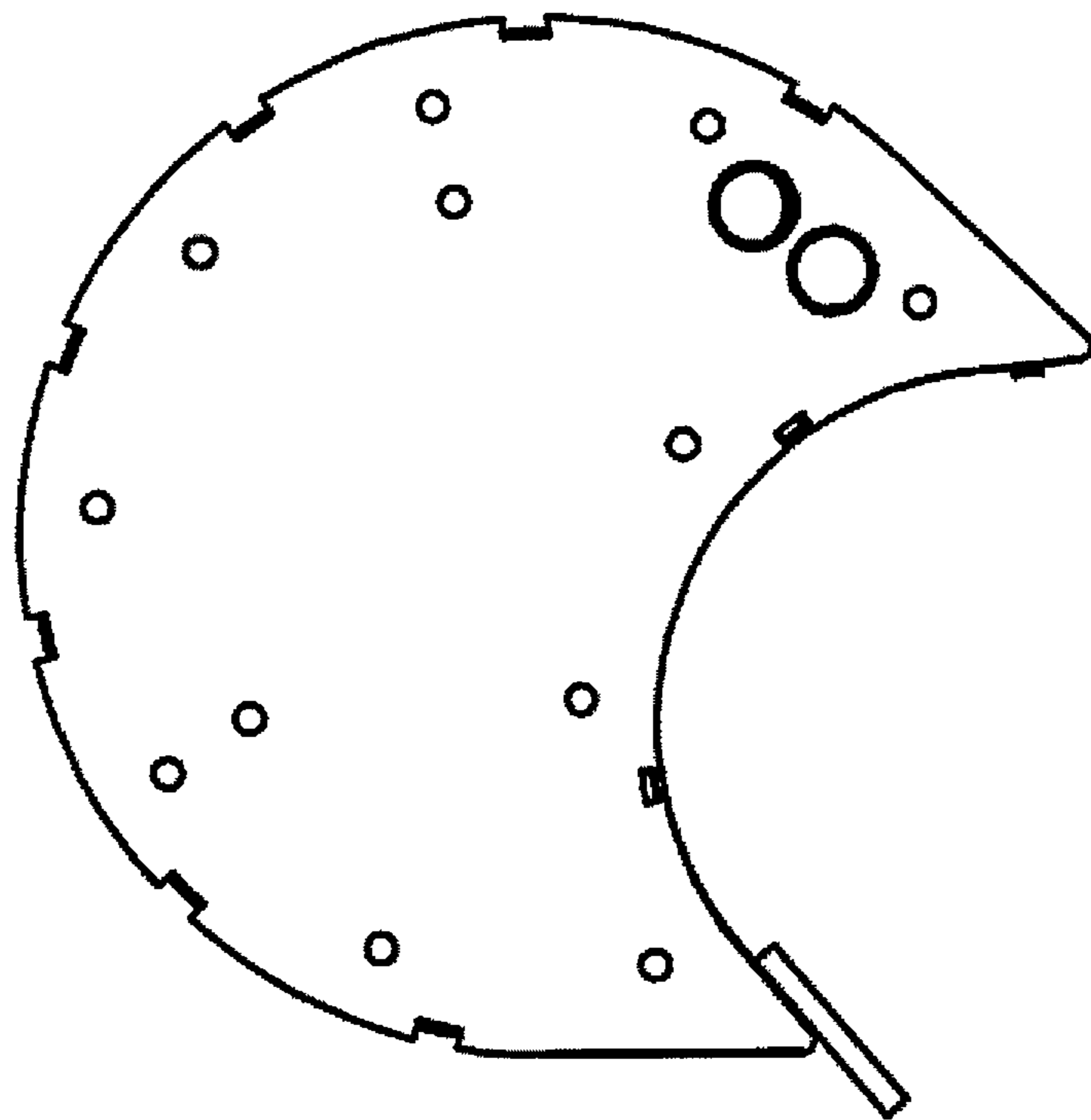


FIG. 4

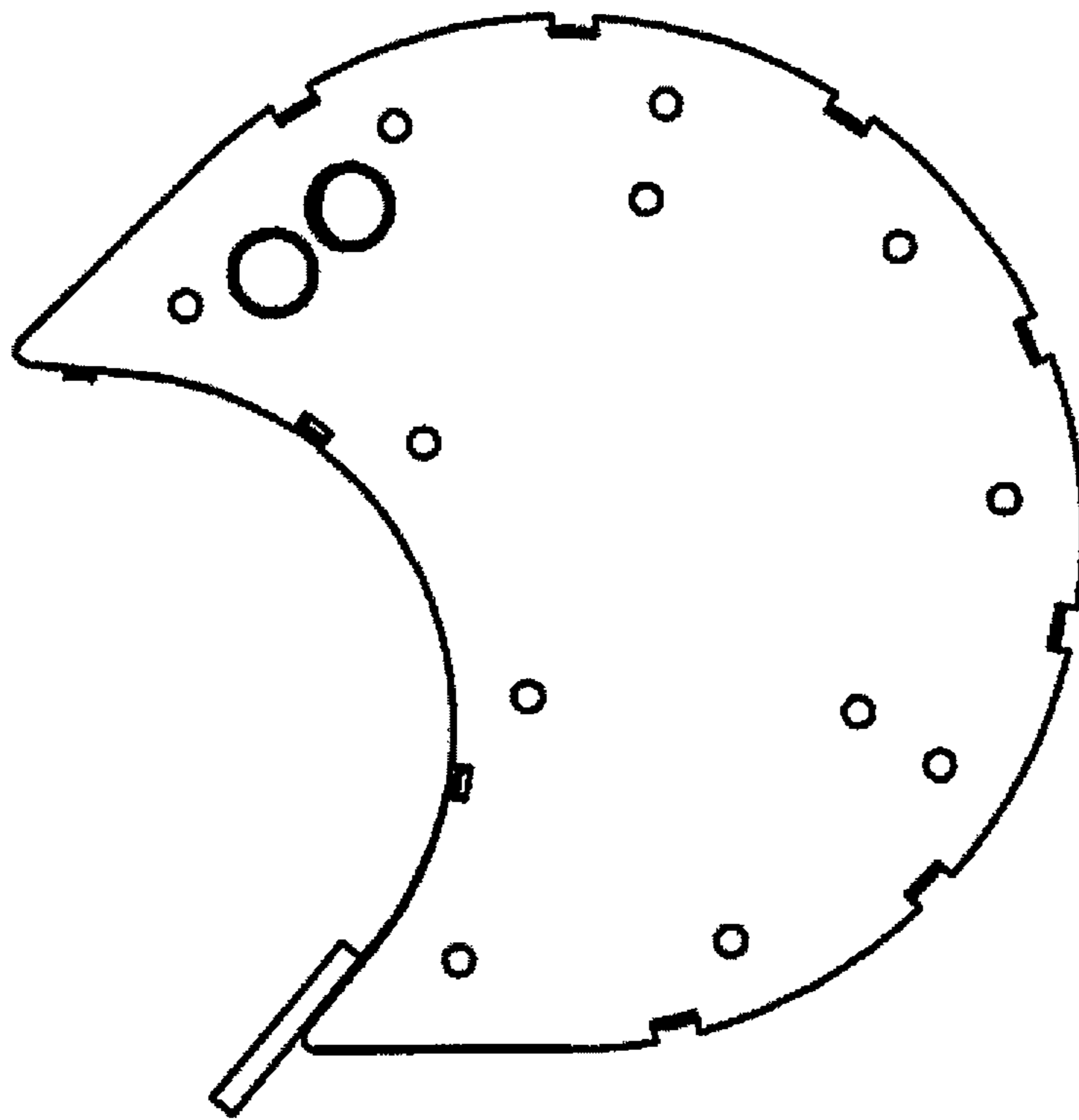


FIG. 5

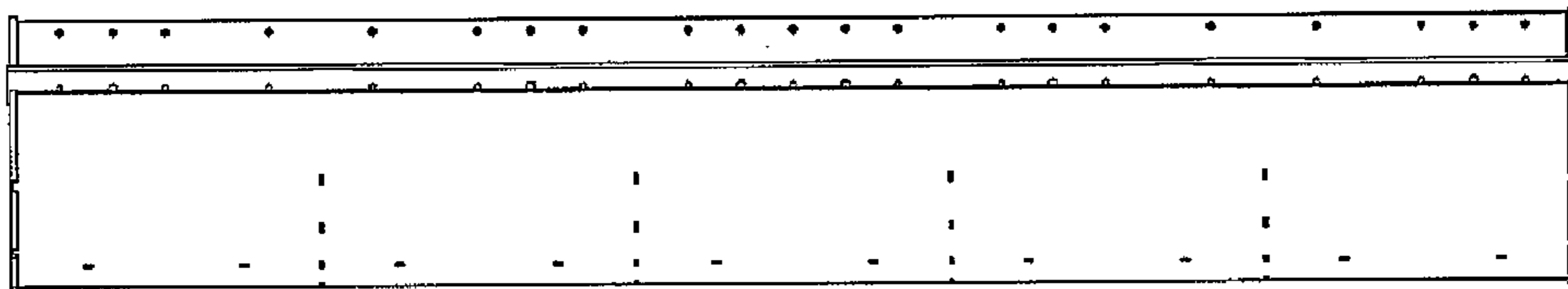


FIG. 6

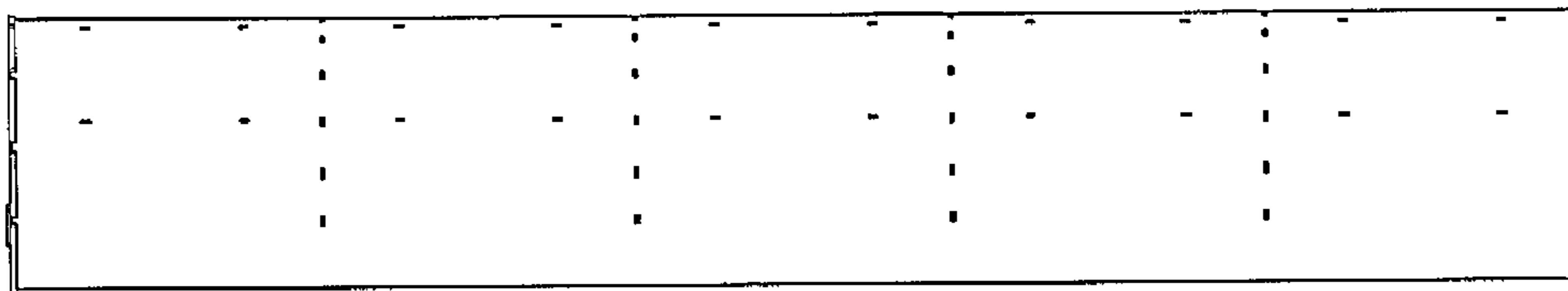


FIG. 7

