



US00D693370S

(12) **United States Design Patent**  
**Randhawa**

(10) **Patent No.:** **US D693,370 S**

(45) **Date of Patent:** **\*\* \*Nov. 12, 2013**

(54) **AIR INTAKE SNORKEL FOR A VEHICLE**

(56) **References Cited**

(71) Applicant: **Australian Performance Development Pty Ltd**, South Croydon (AU)

U.S. PATENT DOCUMENTS

(72) Inventor: **Manvir Singh Randhawa**, Mt Evelyn (AU)

6,564,766	B2 *	5/2003	Ayton	123/184.21
6,637,537	B2 *	10/2003	Porter et al.	180/309
6,966,292	B2 *	11/2005	Huang	123/184.21
D532,019	S *	11/2006	Huang	D15/5
D545,725	S *	7/2007	Zimbardo	D12/114
7,281,511	B2 *	10/2007	Quezada	123/184.53
D562,749	S *	2/2008	LaRussa	D12/194
7,685,985	B2 *	3/2010	Madeira	123/184.21
D627,369	S *	11/2010	Troxell	D15/5

(73) Assignee: **Australian Performance Development Pty Ltd**, South Croydon, Victoria (AU)

(Continued)

(\*) Notice: This patent is subject to a terminal disclaimer.

OTHER PUBLICATIONS

(\*\*) Term: **14 Years**

<http://safarisnorkel.com/snorkel/ss86hf/ss86hf.htm>, "Safari Snorkel—SS86HF", 4pgs.

(21) Appl. No.: **29/435,994**

*Primary Examiner* — T. Chase Nelson

*Assistant Examiner* — Ania Aman

(22) Filed: **Oct. 31, 2012**

(74) *Attorney, Agent, or Firm* — Duane Morris LLP

**Related U.S. Application Data**

(63) Continuation of application No. 29/415,846, filed on Mar. 14, 2012, now abandoned.

(57) **CLAIM**

The ornamental design for an air intake snorkel for a vehicle, as shown and described.

(30) **Foreign Application Priority Data**

Sep. 14, 2011 (AU) ..... 14070/2011

(51) **LOC (9) Cl.** ..... **15-01**

(52) **U.S. Cl.**  
USPC ..... **D15/5**

(58) **Field of Classification Search**  
USPC ..... D15/1-6; 123/184.21, 184.24, 184.34, 123/184.35, 23.2, 184.48, 184.42; D12/400, 194, 206, 418; D24/110.5, D24/110.6

**DESCRIPTION**

FIG. 1 is a left front perspective view of the air intake snorkel for a vehicle of the present invention.

FIG. 2 is a right perspective view of the present invention.

FIG. 3 is a left side elevational view of the present invention.

FIG. 4 is a right side elevational view of the present invention.

FIG. 5 is a front elevational view of the present invention.

FIG. 6 is a rear elevational view of the present invention.

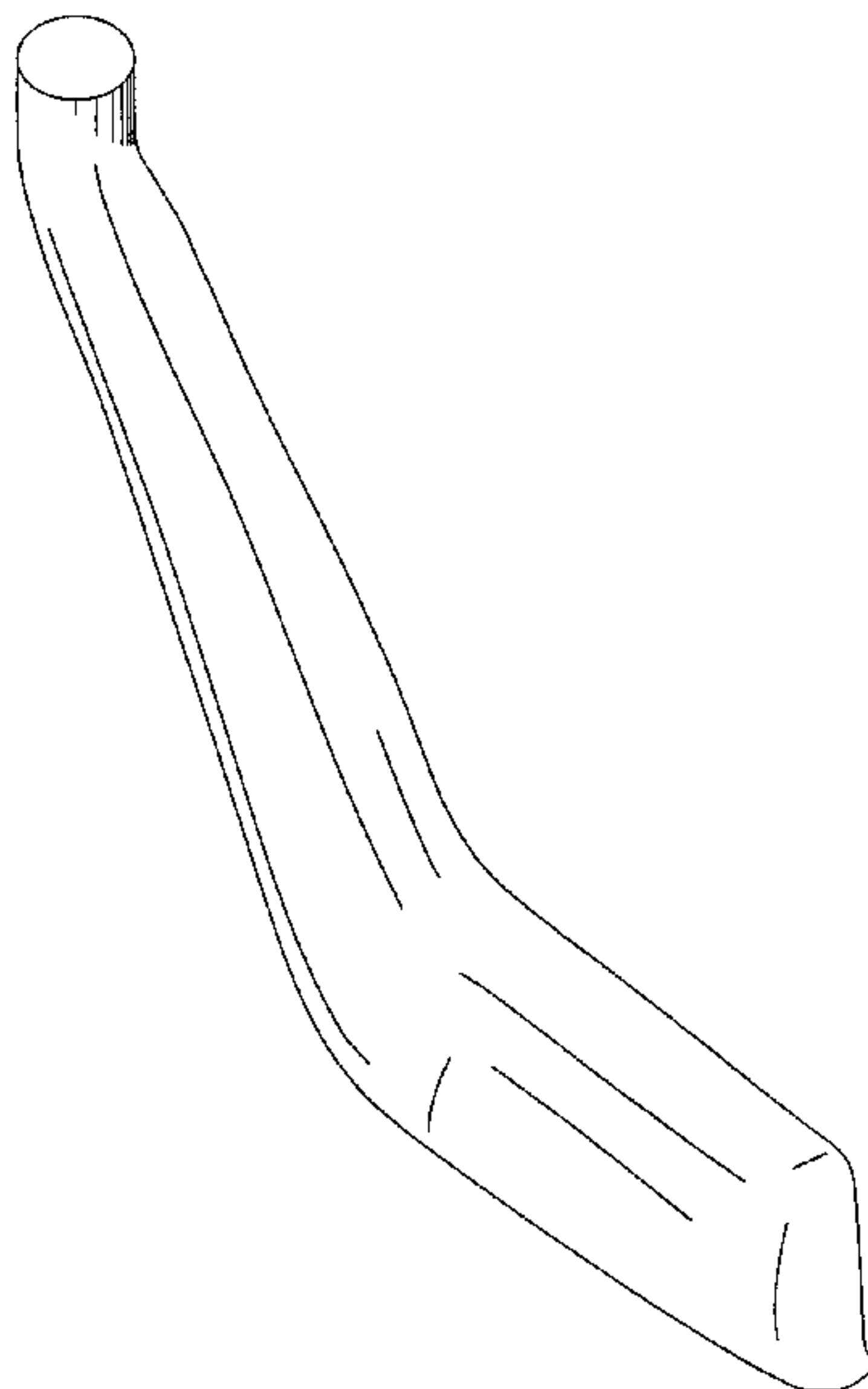
FIG. 7 is a top plan view of the present invention; and,

FIG. 8 is a bottom plan view of the present invention.

The broken lines showing environmental structure are for illustrative purposes only and form no part of the claimed design.

See application file for complete search history.

**1 Claim, 8 Drawing Sheets**



# US D693,370 S

Page 2

(56)

## References Cited

### U.S. PATENT DOCUMENTS

D636,408 S *	4/2011	Luxon et al.	.....	D15/5	D638,446 S *	5/2011	Luxon et al.	.....	D15/5
D636,787 S *	4/2011	Luxon et al.	.....	D15/5	2002/0179030 A1 *	12/2002	Fiesel et al.	.....	123/184.42
D636,788 S *	4/2011	Luxon et al.	.....	D15/5	2003/0019456 A1 *	1/2003	Ayton	.....	123/184.21
D637,205 S *	5/2011	Luxon et al.	.....	D15/5	2006/0185639 A1 *	8/2006	Rosenbaum	.....	123/184.21
D637,206 S *	5/2011	Luxon et al.	.....	D15/5	2006/0196462 A1 *	9/2006	Quezada	.....	123/184.21
D637,623 S *	5/2011	Luxon et al.	.....	D15/5	2010/0083928 A1 *	4/2010	Saito et al.	.....	123/184.56
					2010/0229817 A1 *	9/2010	Hirai	.....	123/184.21
					2010/0229818 A1 *	9/2010	Silvano	.....	123/184.21

\* cited by examiner

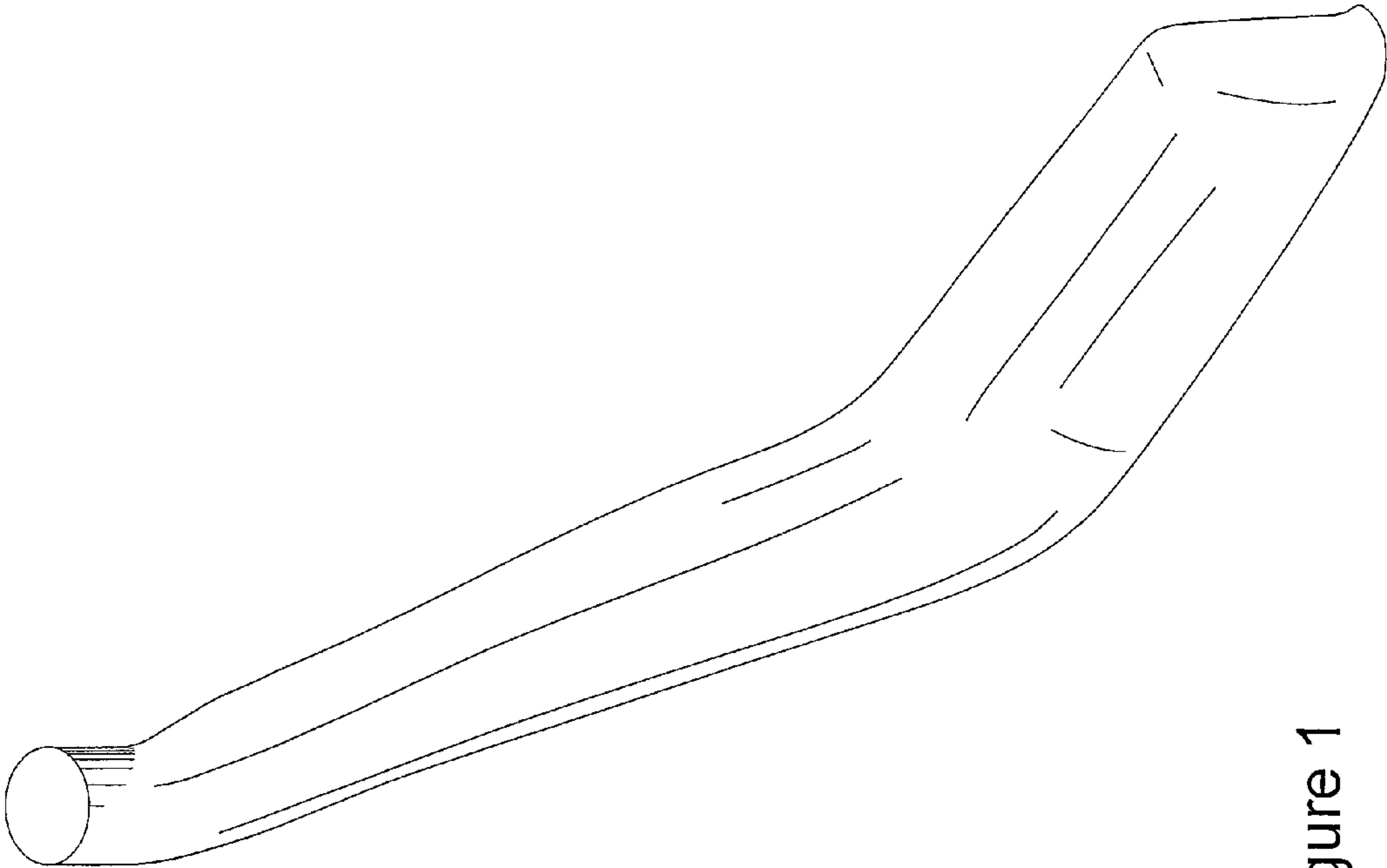


Figure 1

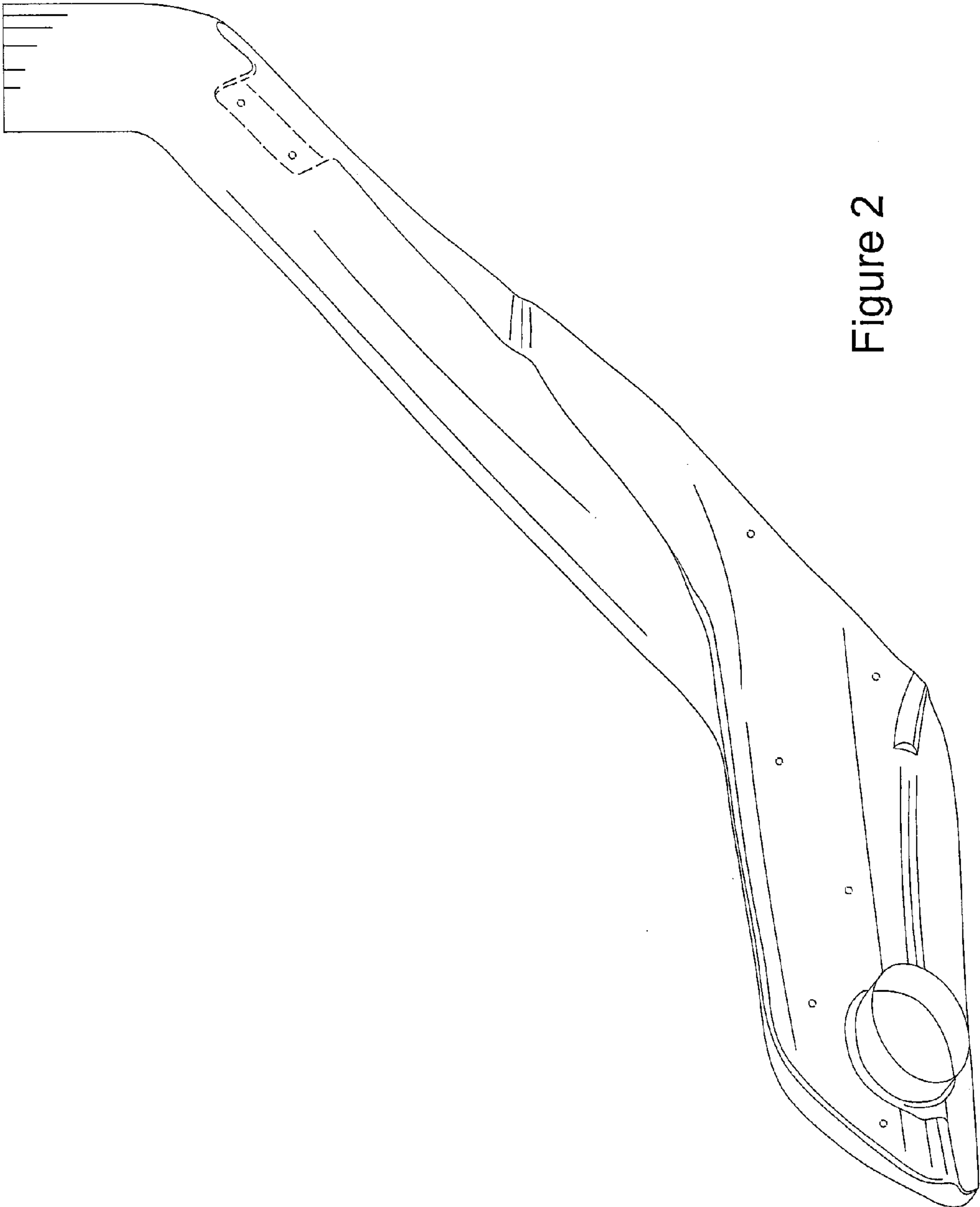


Figure 2

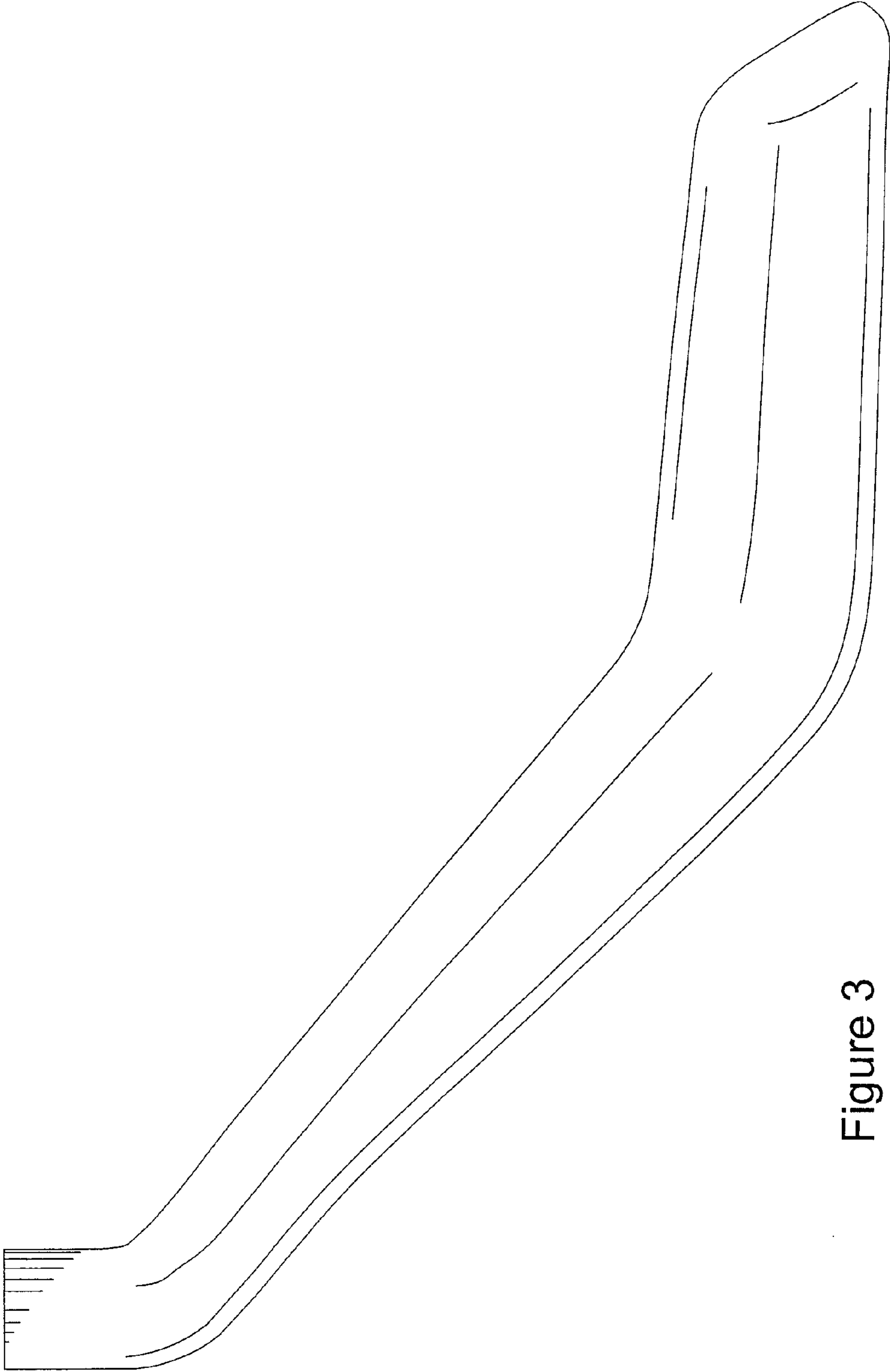


Figure 3

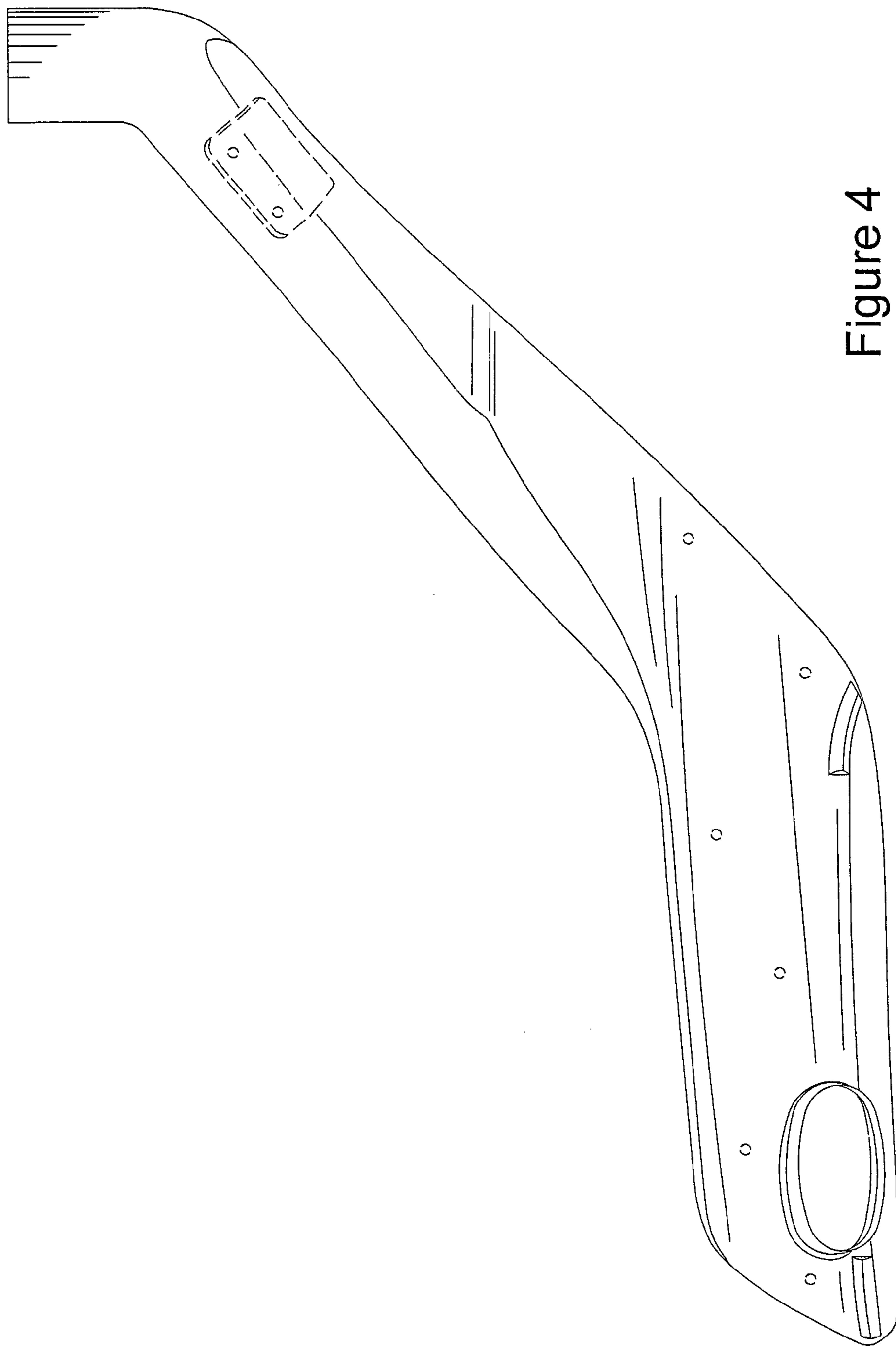


Figure 4

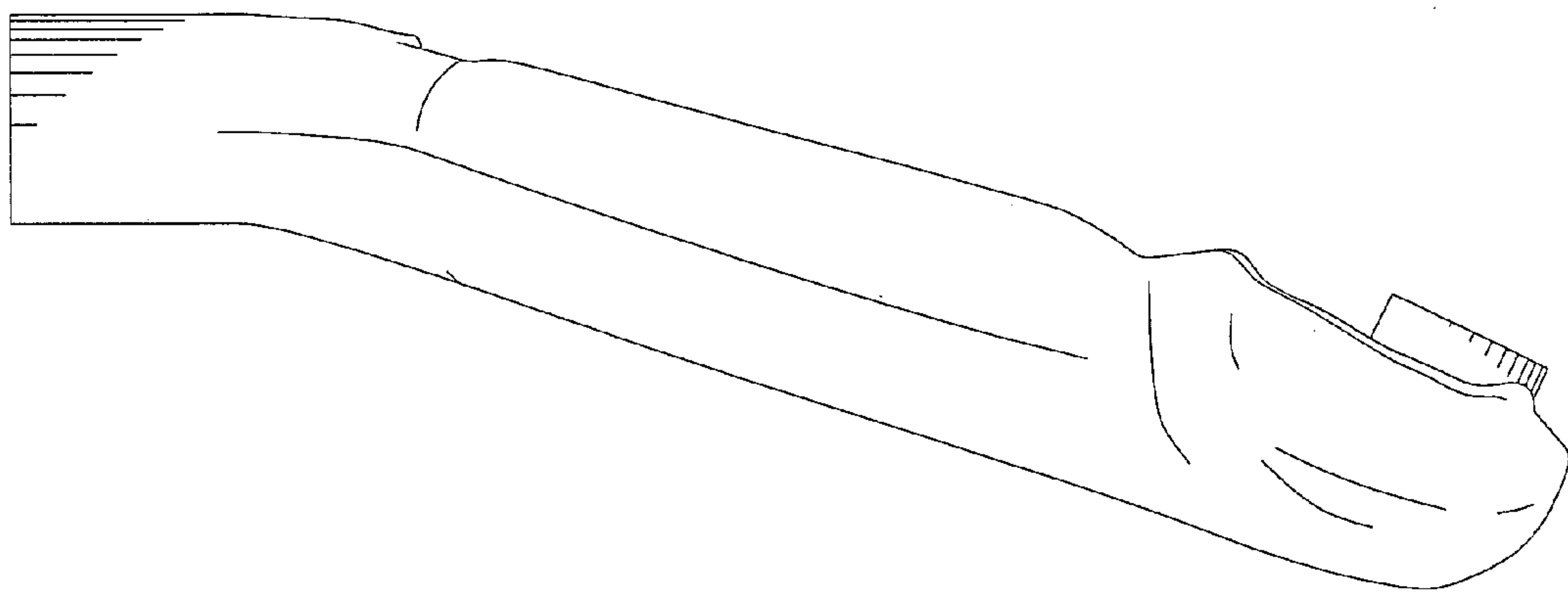


Figure 5

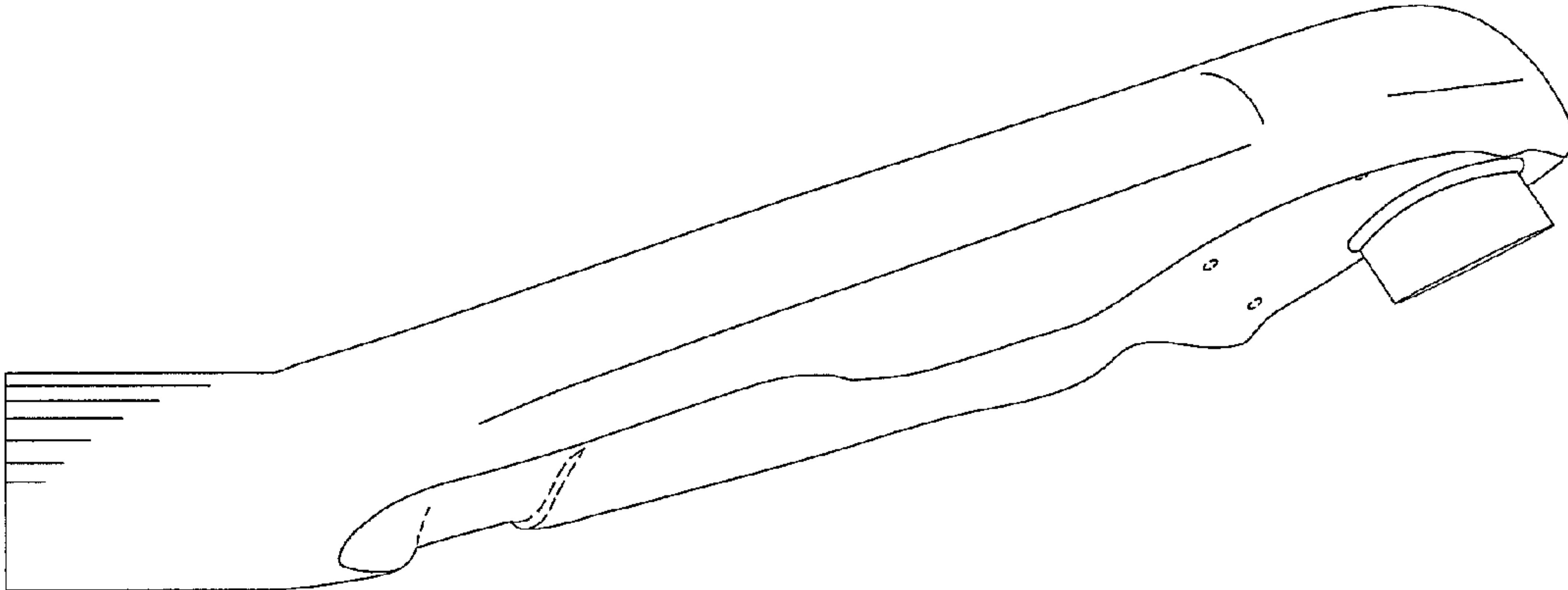


Figure 6



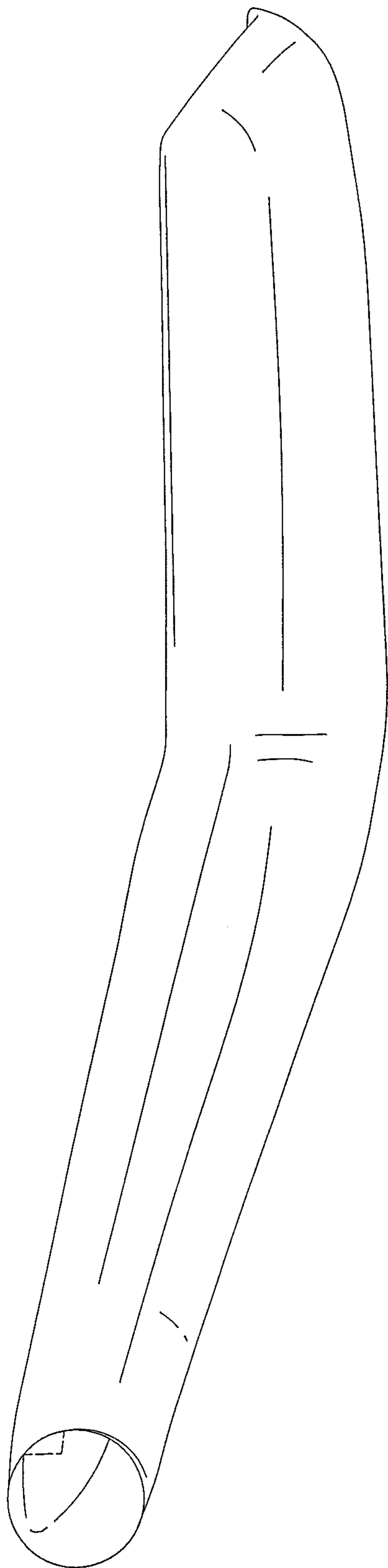


Figure 7

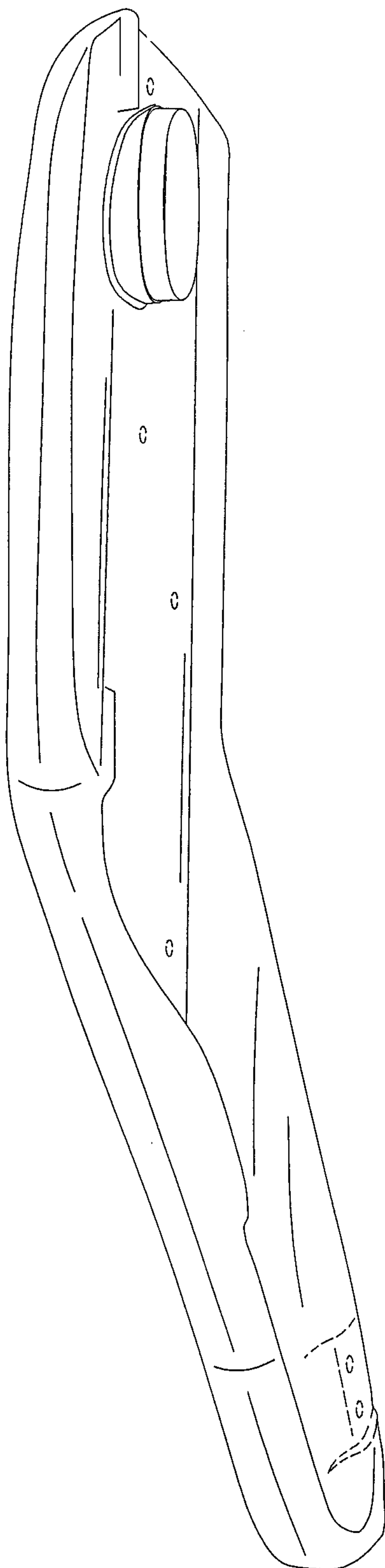


Figure 8