



US00D693369S

(12) **United States Design Patent**
Moon

(10) **Patent No.:** **US D693,369 S**

(45) **Date of Patent:** **** Nov. 12, 2013**

(54) **A/V RECEIVER**

(75) Inventor: **Sin-Wi Moon**, Jeju-do (KR)

(73) Assignee: **Samsung Electronics Co., Ltd.**,
Suwon-si, Gyeonggi-do (KR)

(**) Term: **14 Years**

(21) Appl. No.: **29/428,607**

(22) Filed: **Aug. 1, 2012**

(30) **Foreign Application Priority Data**

Feb. 16, 2012 (KR) 30-2012-0007011

(51) **LOC (9) Cl.** **14-03**

(52) **U.S. Cl.**
USPC **D14/496**

(58) **Field of Classification Search**

USPC D14/496, 401, 435, 474, 483, 217, 137,
D14/138, 160, 168, 356, 203.1-203.8, 507;
345/156, 169, 173-179, 905;
715/727-729, 864; 710/1, 5, 8; 713/1,
713/600; 455/1.1, 1.7, 73, 344-347, 93, 95,
455/3.01-3.06, 550.1, 573.1; 370/342-344;
369/1, 2, 6-12; 463/43-47; 273/148 B

See application file for complete search history.

(56) **References Cited**

U.S. PATENT DOCUMENTS

4,181,823	A *	1/1980	DeLamoreaux et al.	369/10
5,852,594	A *	12/1998	Kaise et al.	720/647
6,275,882	B1 *	8/2001	Cheever et al.	710/302
6,587,403	B1 *	7/2003	Keller et al.	369/30.06
6,908,387	B2 *	6/2005	Hedrick et al.	463/31
7,090,582	B2 *	8/2006	Danieli et al.	463/35
D551,679	S *	9/2007	Hayes	D14/496
D565,061	S *	3/2008	Tsuboi	D14/496
D568,337	S *	5/2008	An	D14/496
D606,094	S *	12/2009	Kimura	D14/496
D626,564	S *	11/2010	Kim	D14/496
D630,228	S *	1/2011	Kim	D14/496

* cited by examiner

Primary Examiner — Prabhakar Deshmukh

(74) *Attorney, Agent, or Firm* — Flynn, Thiel, Boutell & Tanis, P.C.

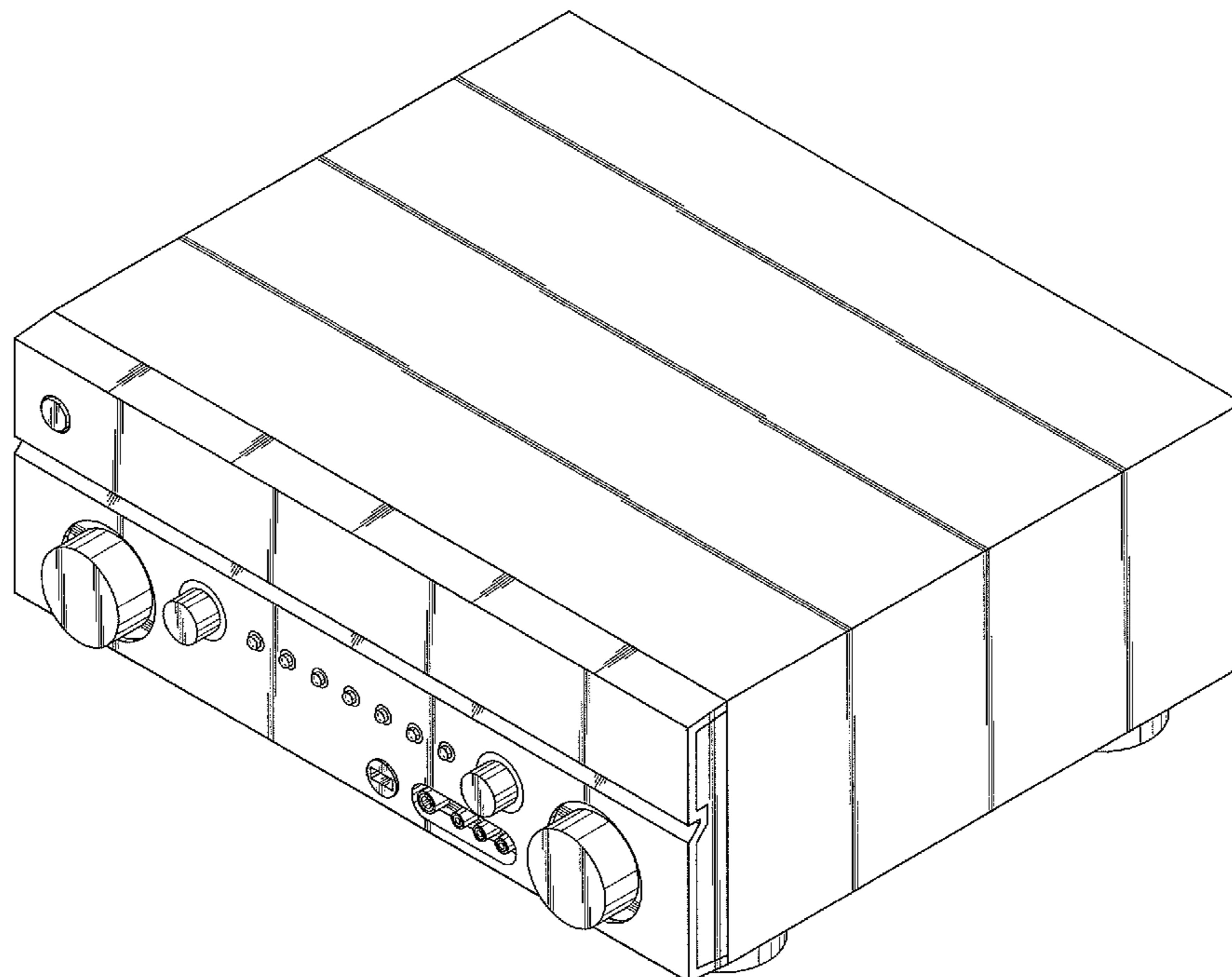
(57) **CLAIM**

The ornamental design for an A/V receiver, as shown and described.

DESCRIPTION

FIG. 1 is a top front perspective view of an A/V receiver showing my new design;
FIG. 2 is a front elevational view thereof;
FIG. 3 is a rear elevational view thereof;
FIG. 4 is a left side elevational view thereof;
FIG. 5 is a right side elevational view thereof;
FIG. 6 is a top plan view thereof; and,
FIG. 7 is a bottom plan view thereof.

1 Claim, 5 Drawing Sheets



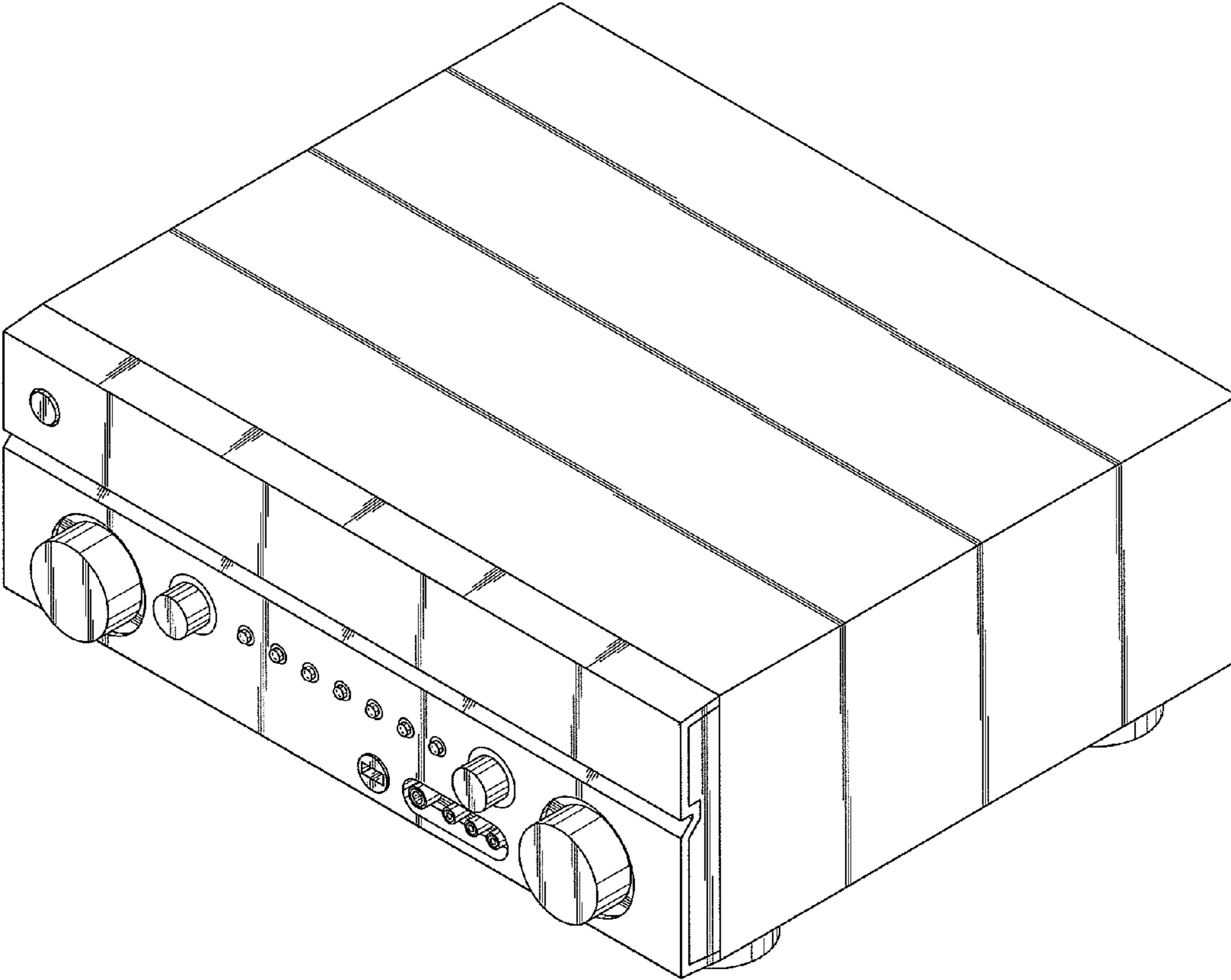


FIG.1

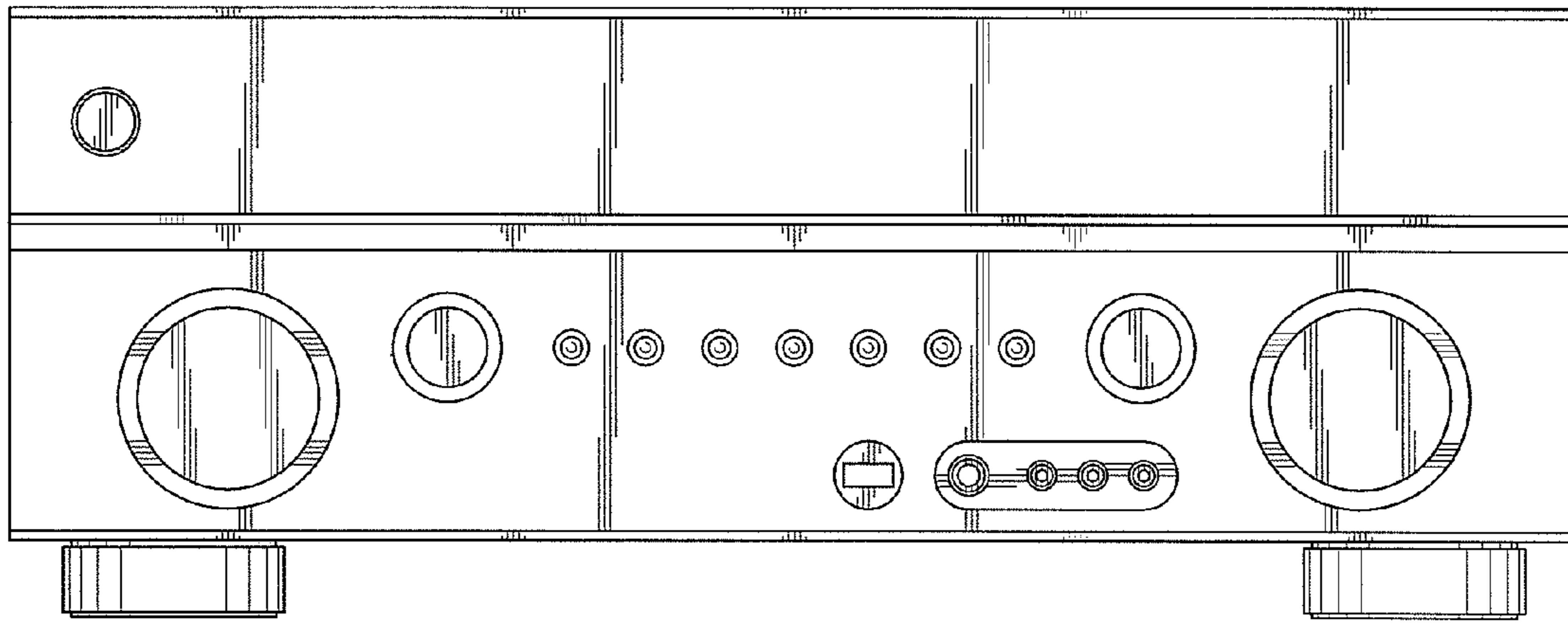


FIG. 2

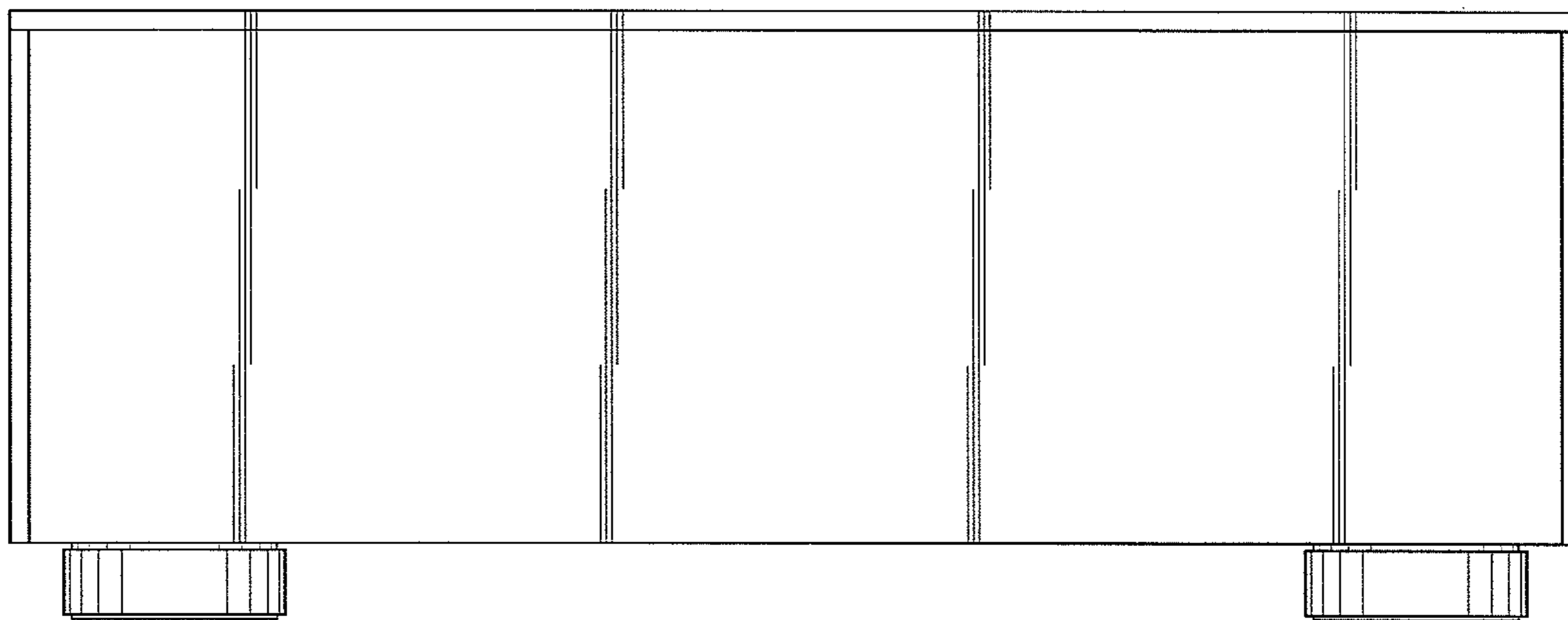


FIG. 3

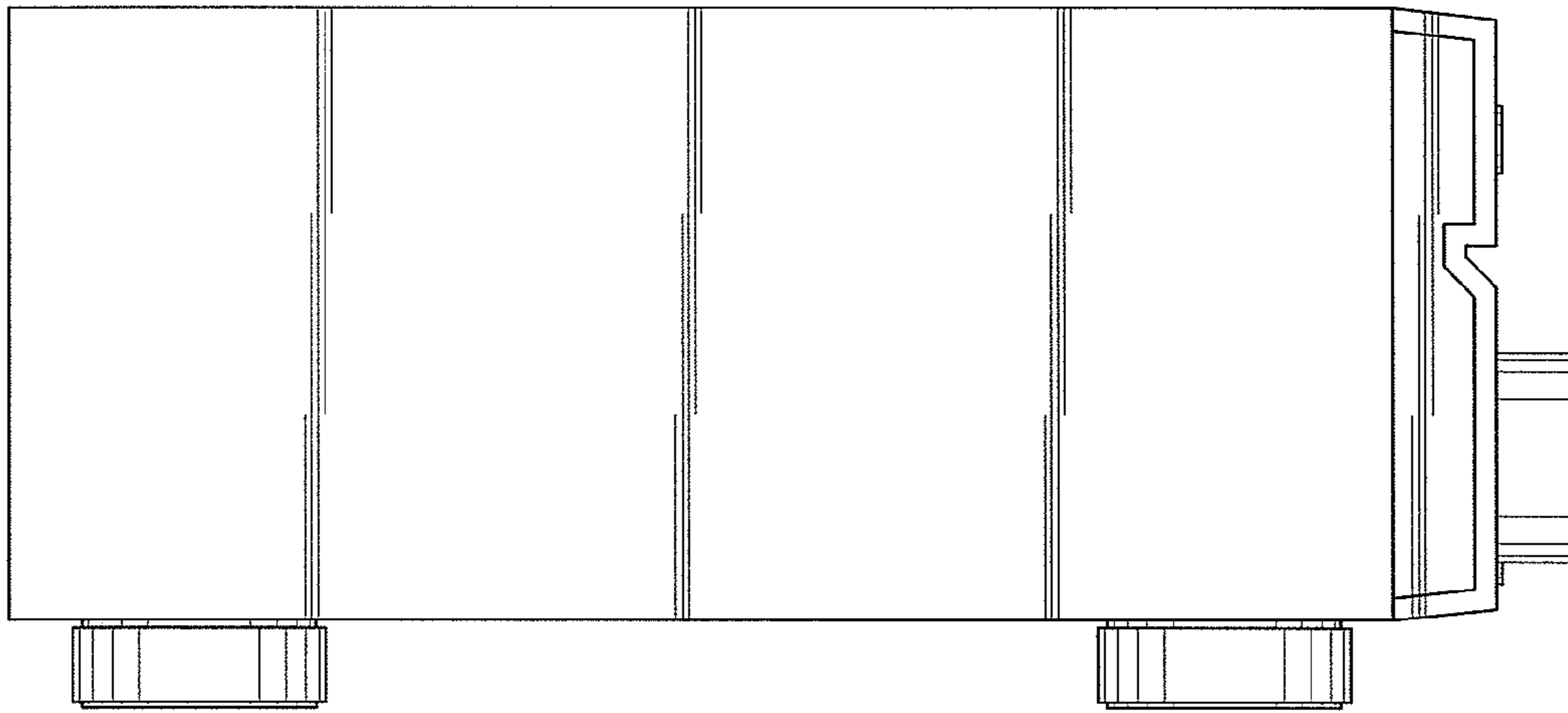


FIG.4

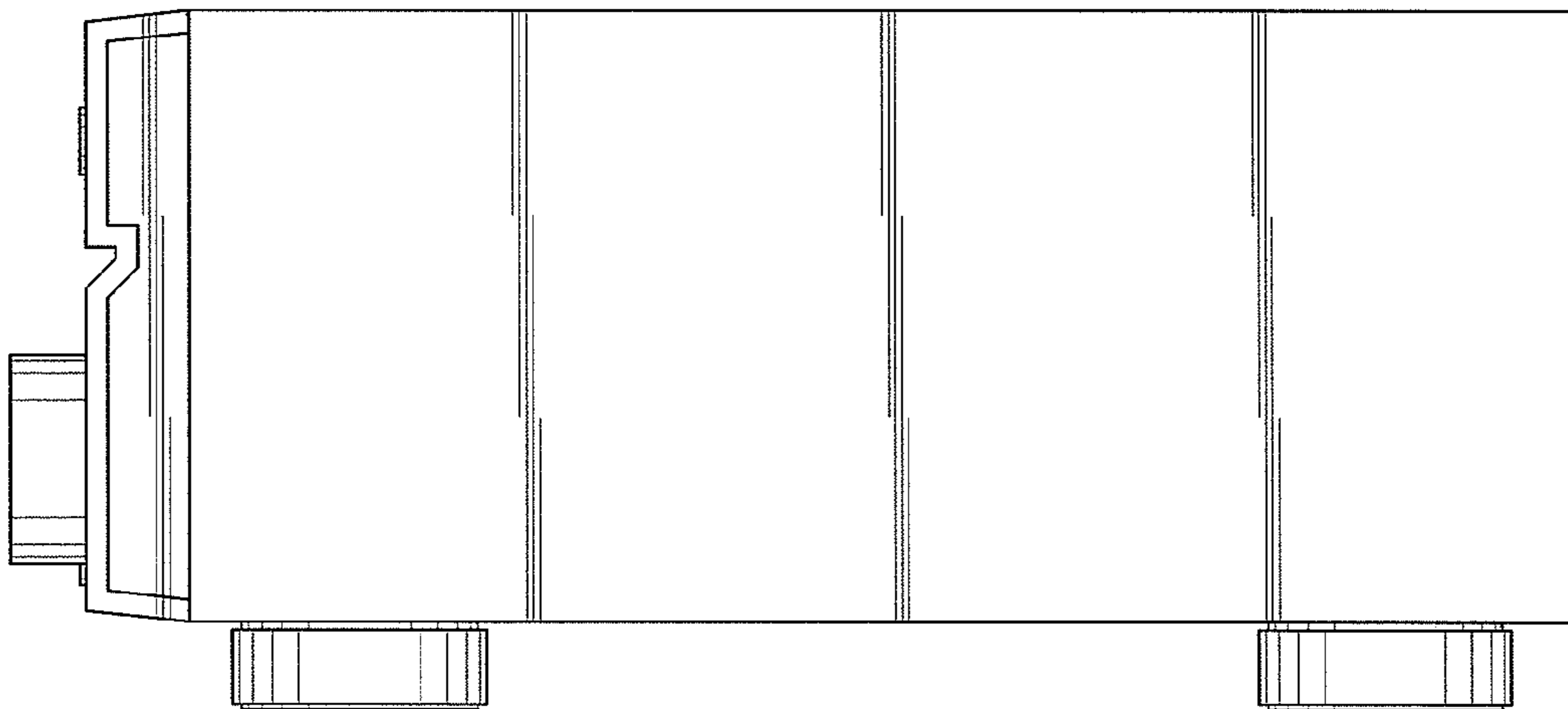


FIG.5

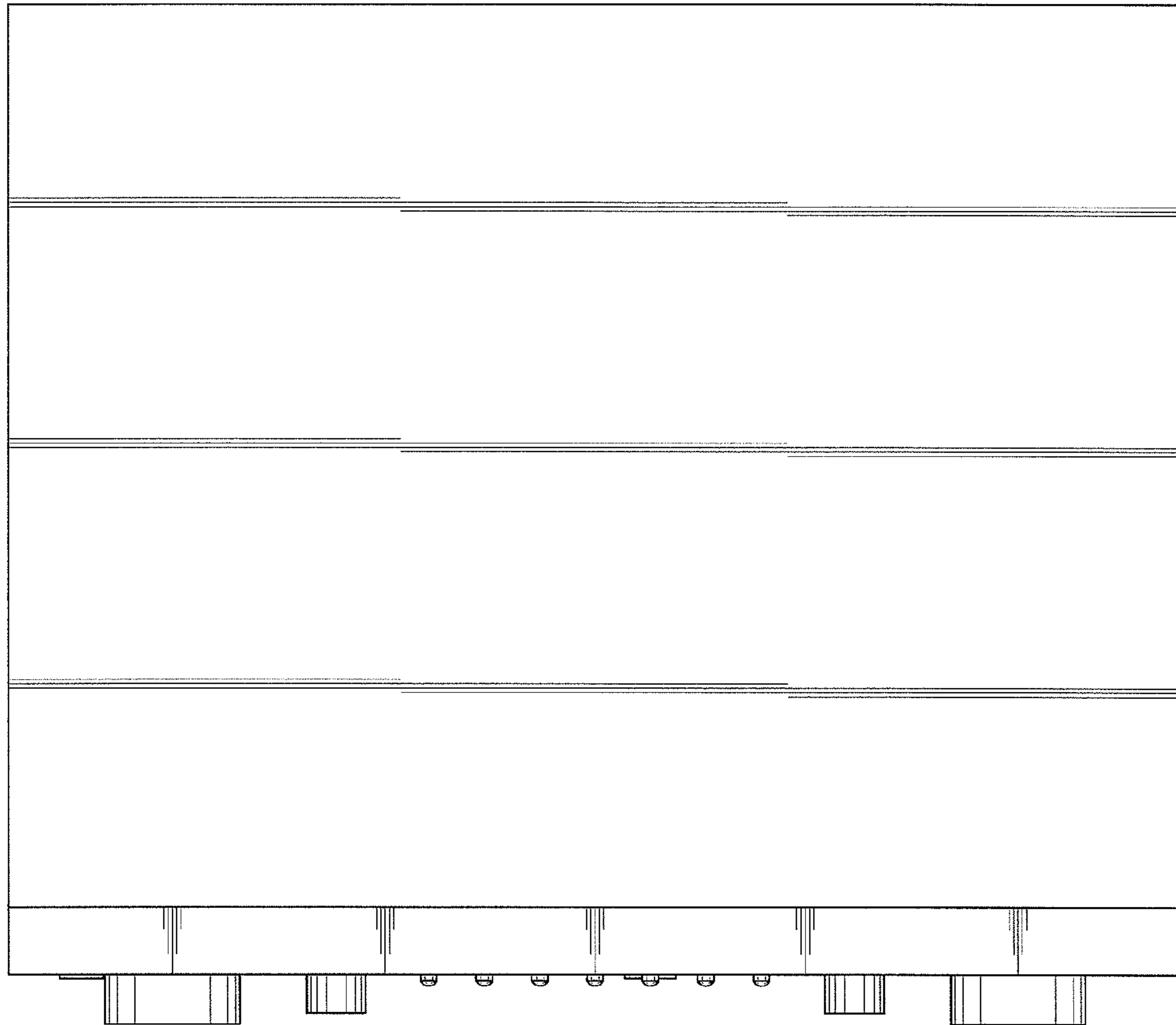


FIG.6

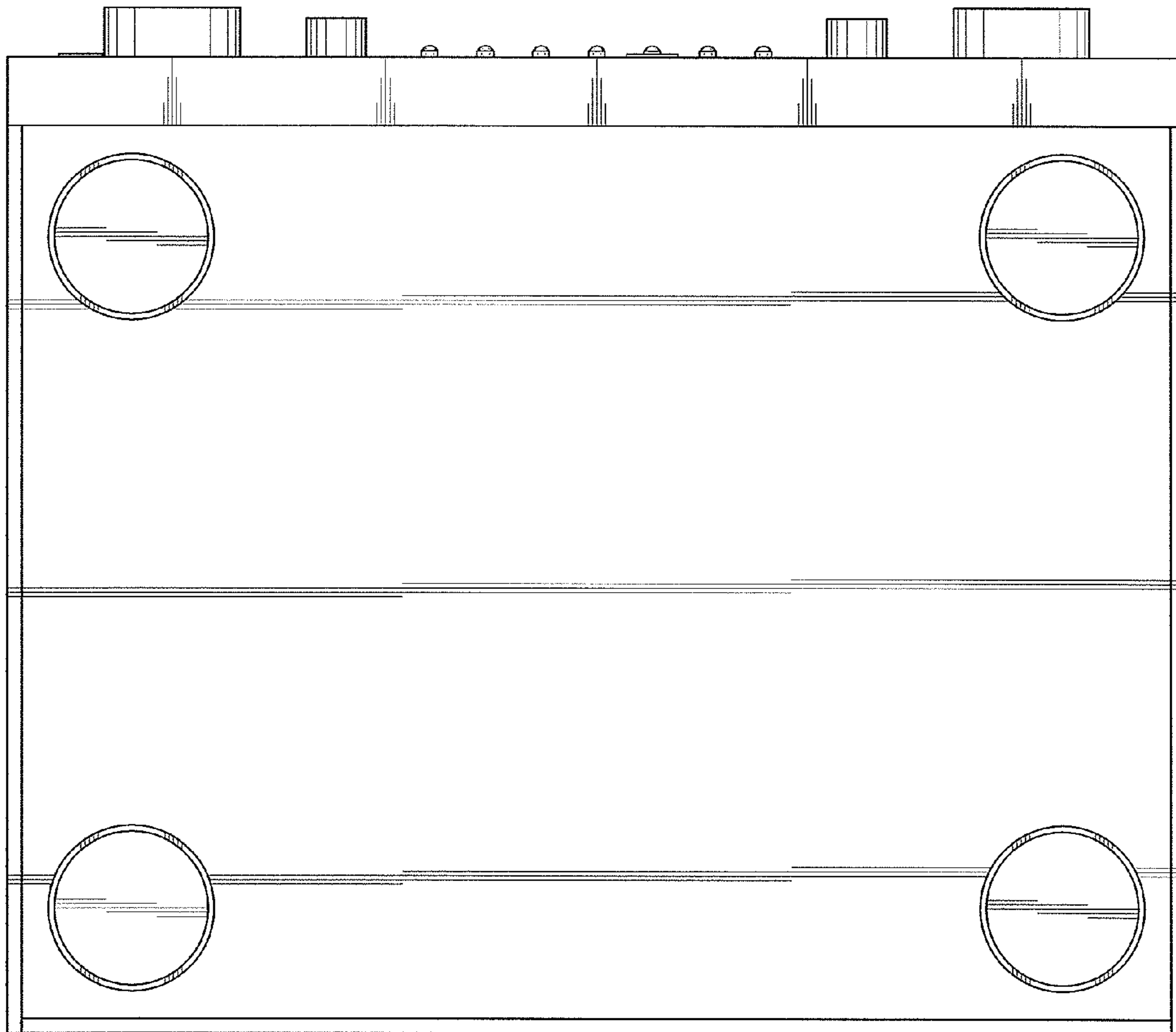


FIG.7